

1

Kit 187159

LEXUS RX (AL30), 5-dr SUV, 23-



This kit is only for vehicles with fixpoint mounting.

1 KIT

286 x1, 002 x4, 54672 x4

287 x1, 54666 x4, 54674 x4

288 x2, 54673 x1

54673 x1

1 THULE logo and icons for tools and parts.

Safety diagram showing vehicle layout (FL, FR, RL, RR).

Max: 75 kg / 165 lbs

7 kg / 15,4 lbs

Max 130 km/h / 80 Mph

80 km/h / 50 Mph

2 FOOT PACK

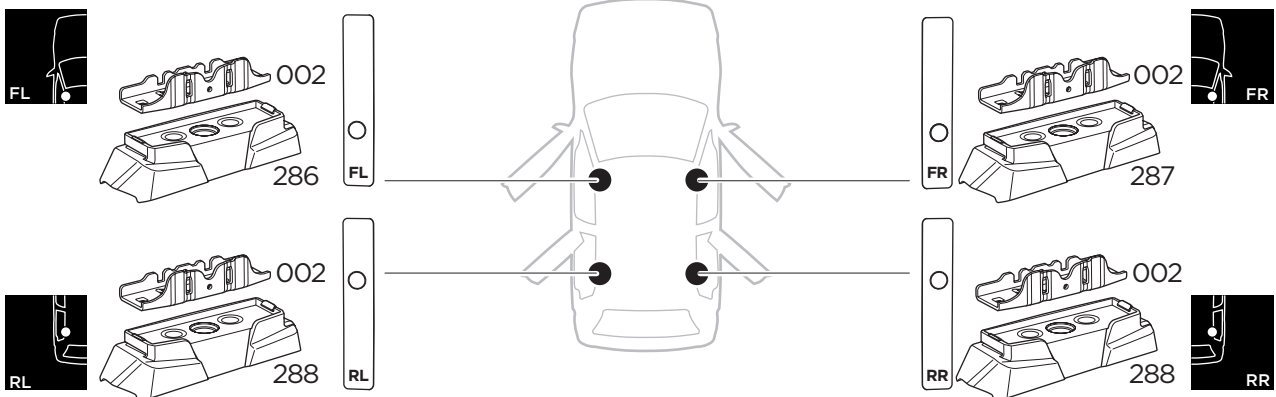
4 Nm

x4

x4

x1

2 THULE logo and icon for instructions.



1

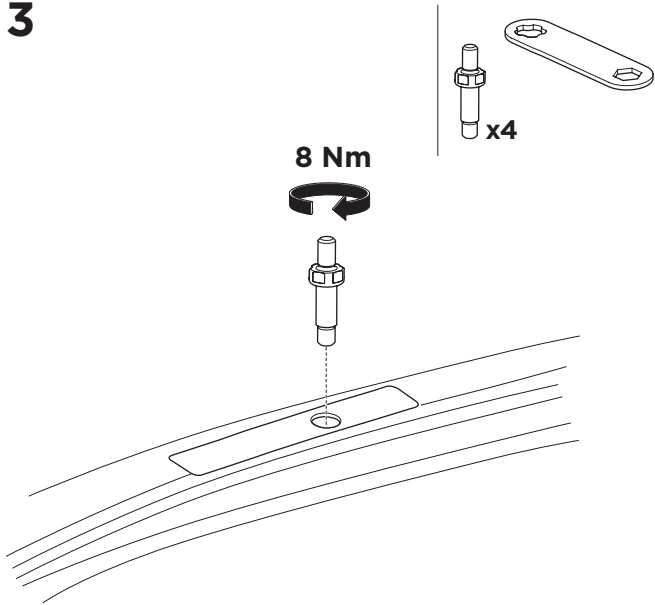
A **B** **C**

2

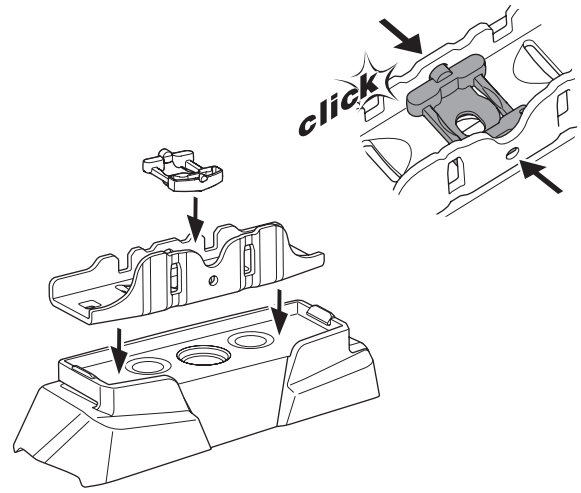
A **B**

x4

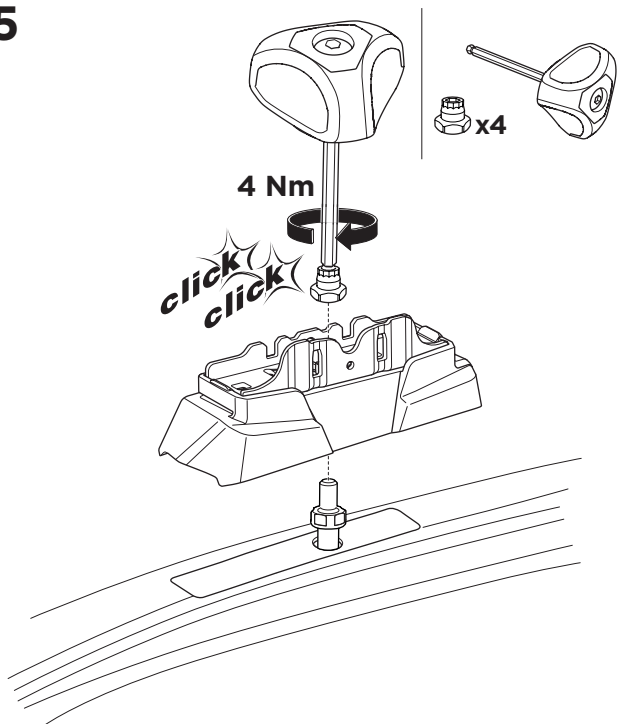
3



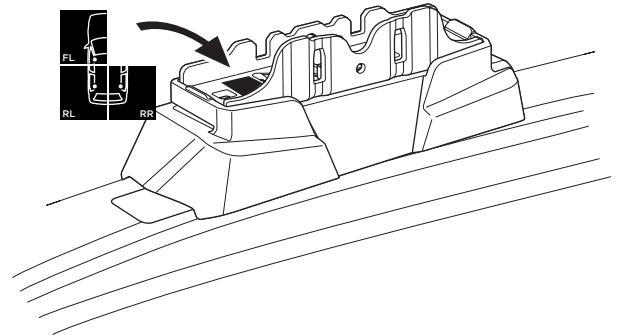
4



5

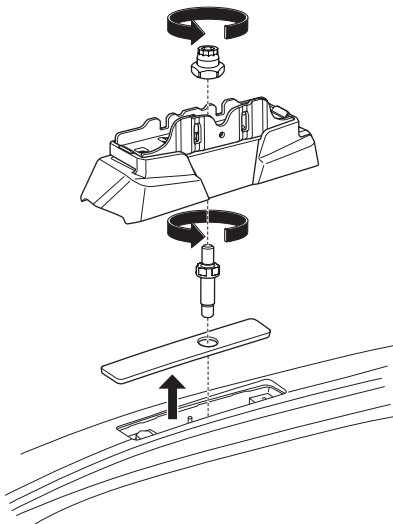


6



B

C



D

E

