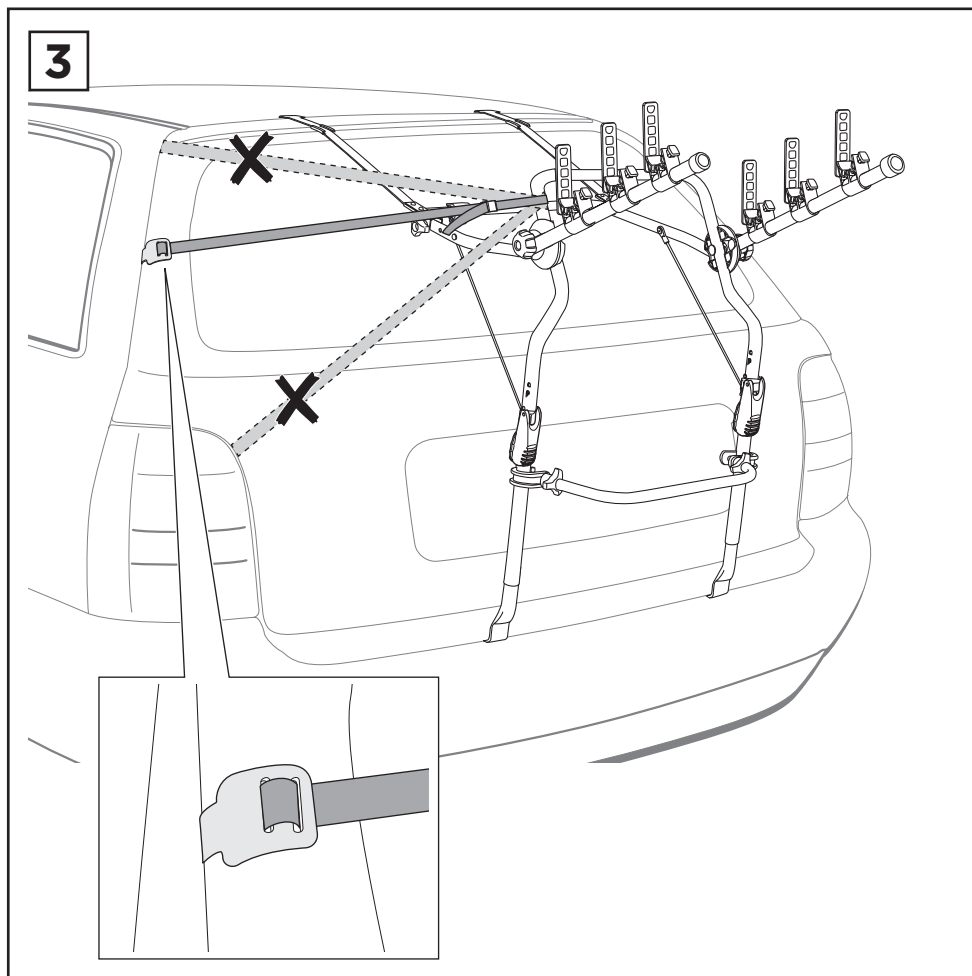
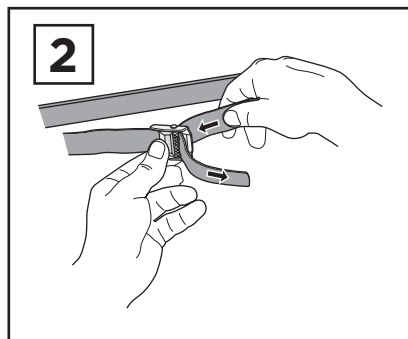
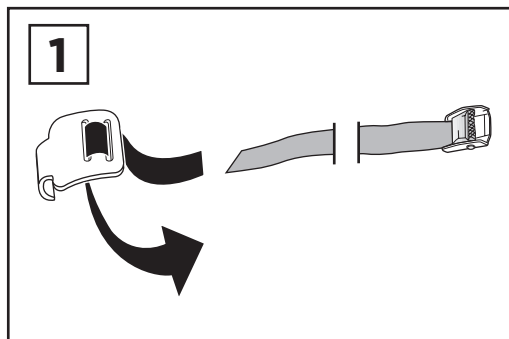


**Thule Adp. 9111**  
**ClipOn, ClipOn High**

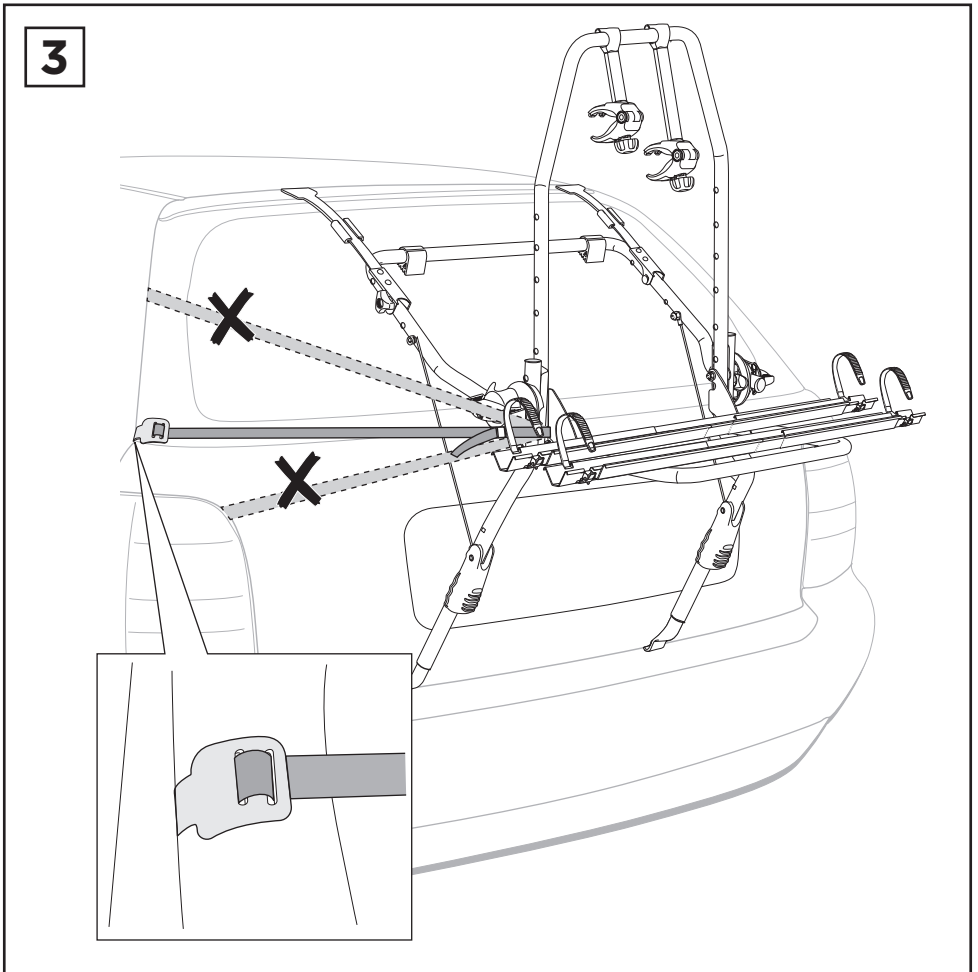
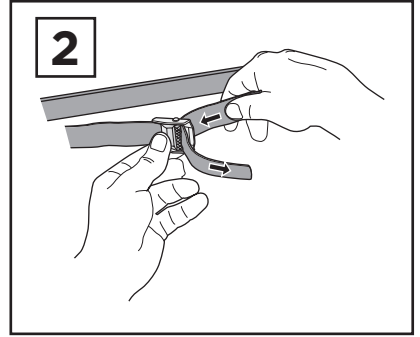
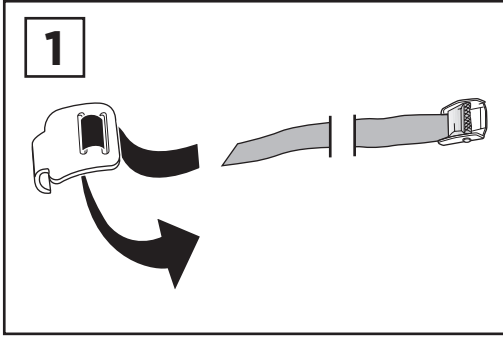
**> Instructions**



# ClipOn



# ClipOn High





Thule Sweden AB, Box 69, 330 33 Hillerstorp, SWEDEN

» PART OF THULE GROUP



[info@thule.com](mailto:info@thule.com)



[www.thule.com](http://www.thule.com)

501-6554-07