

# 1

## Kit 187045

PEUGEOT 5008, 5-dr MPV, 09-17



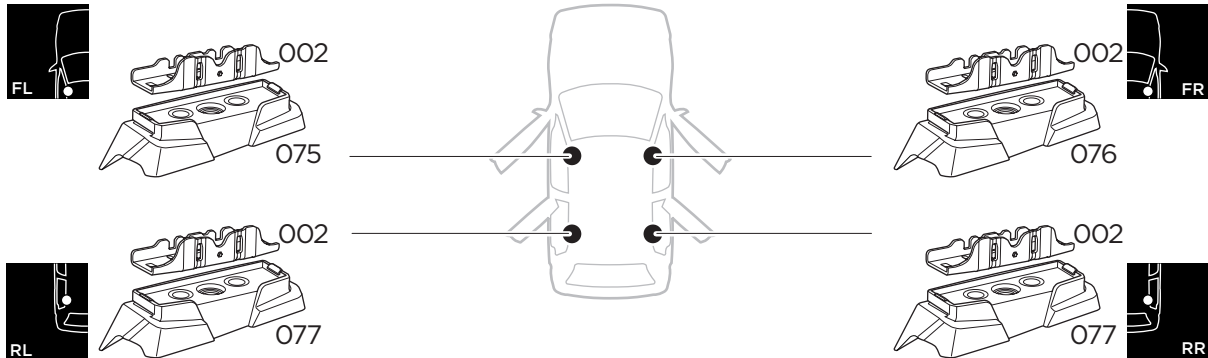
ISO 11154-E

This kit is only for vehicles with fixpoint mounting.

**1 KIT**

**2 FOOT PACK**

**Safety**



**1**

**A**

**B**

**C**

**2**

**A**

**B**

**C**

