

1

Kit 186144

JEEP Compass, 5-dr SUV, 11-16



ISO 11154-E

This kit is only for vehicles with flush railing.

1 KIT

045 x4 114 x2 115 x2 54201 x4

047 x4 018 x2 019 x2 50435 x8

52376 x1

i2 = Max: 75 kg / 165 lbs

Max 130 km/h / 80 Mph

80 km/h / 50 Mph

2 FOOT PACK

4 Nm

x4

x4

x1



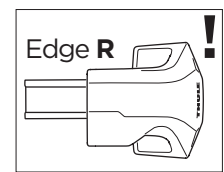
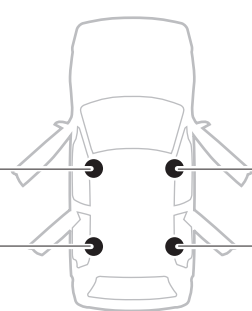
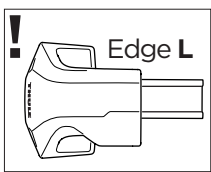
045 114 047

018



045 115 047

019



045 115 047

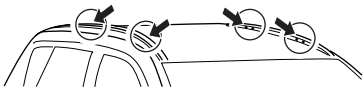
019



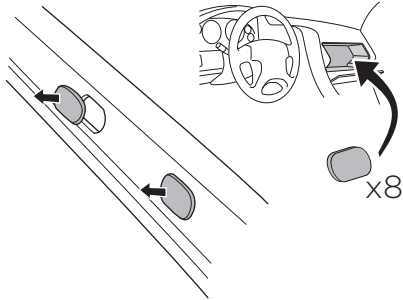
045 114 047

018

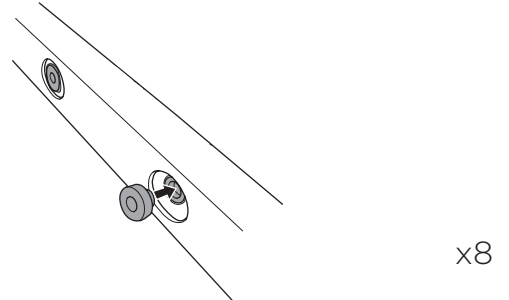
1
KIT



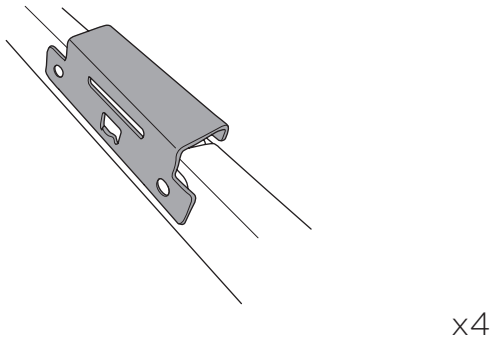
1



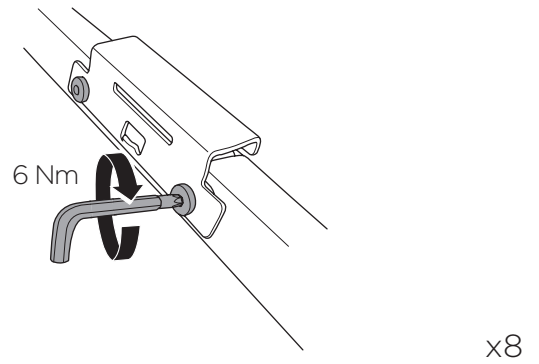
2



3



4

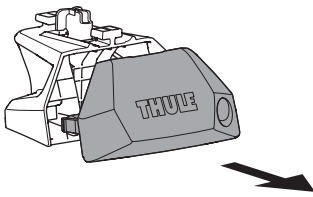


1
KIT

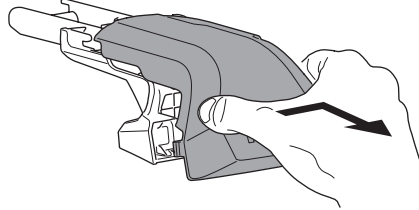
2
FOOT PACK

1

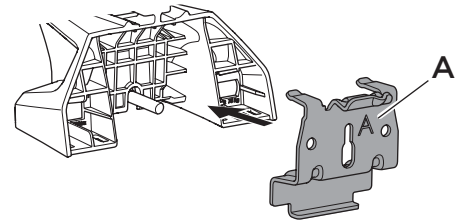
Evo



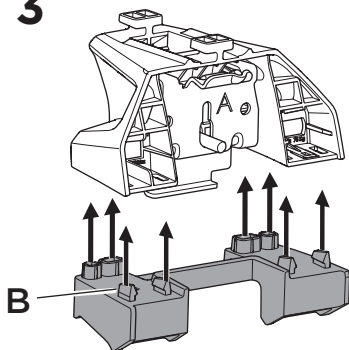
Edge



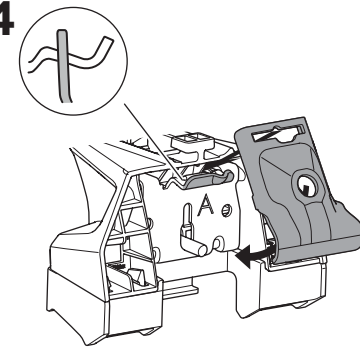
2



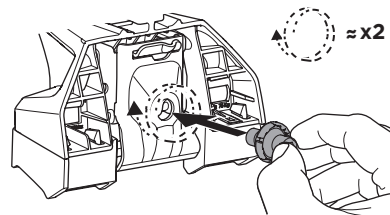
3



4



5



2
THULE
> Instructions


2

