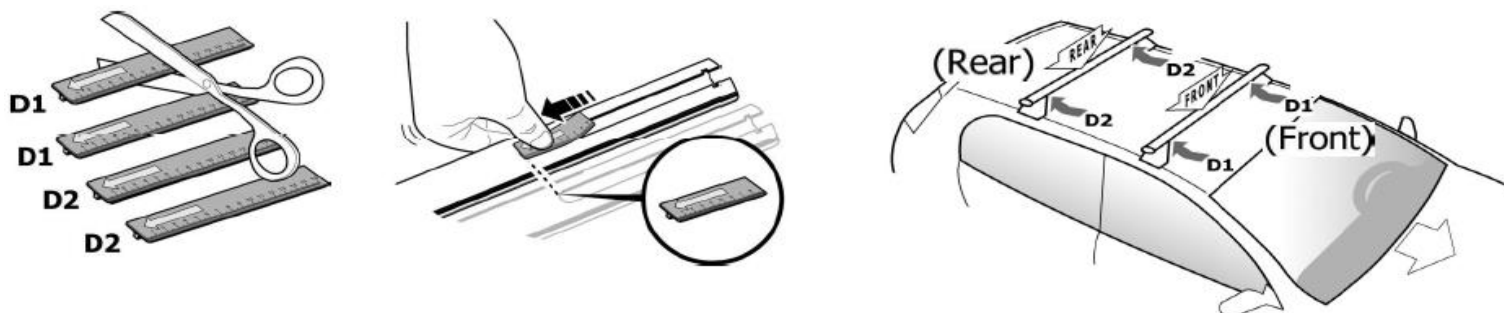
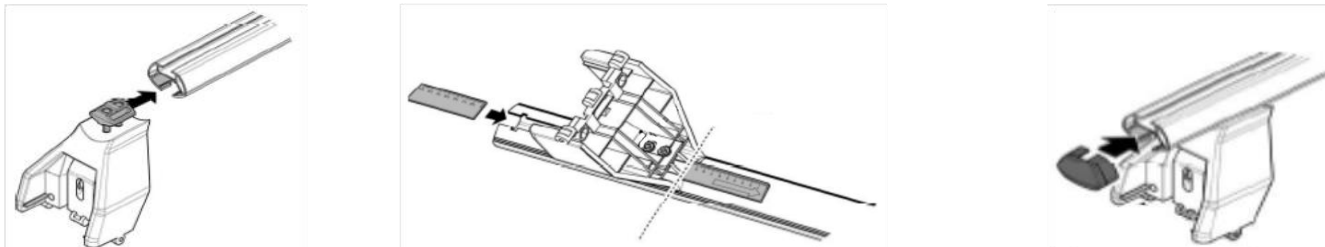


1



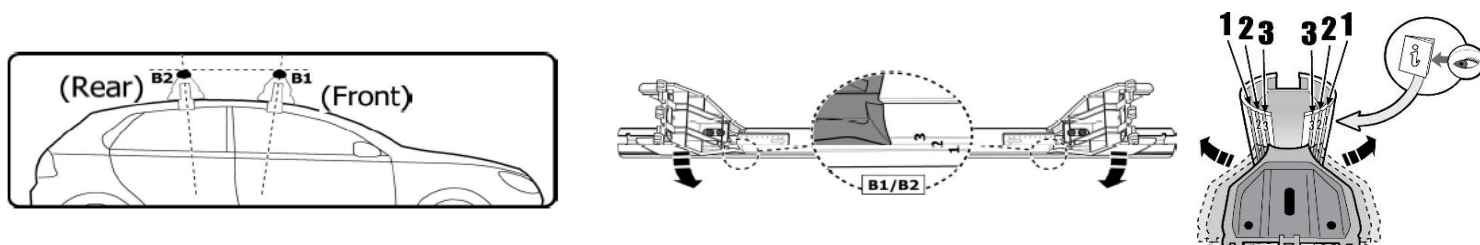
MANUFACTURER	MODEL CAR	DOORS	MODEL YEAR	D1	D2
FIAT	<i>Panda I</i>	3	80>03	12,8	12,8
NISSAN	<i>Micra (K11)</i>	3	92>03	7,1	7,6
PEUGEOT	<i>106</i>	3	92>04	6,6	5,8
SEAT	<i>Marbella</i>	3	86>98	12,8	12,8

2



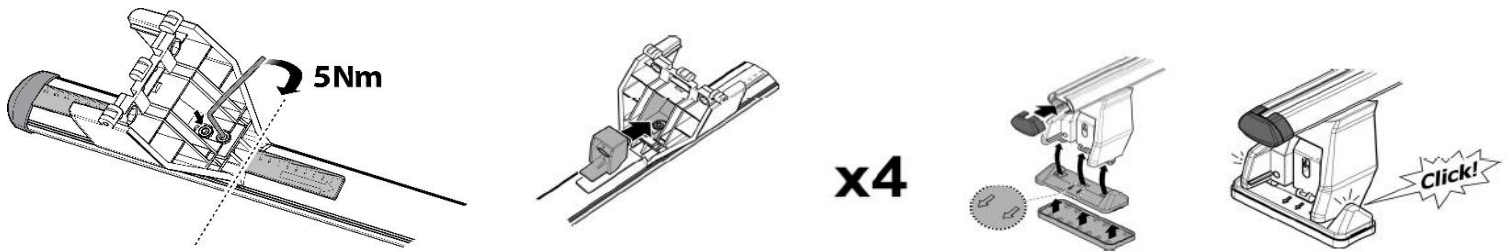
x4

3

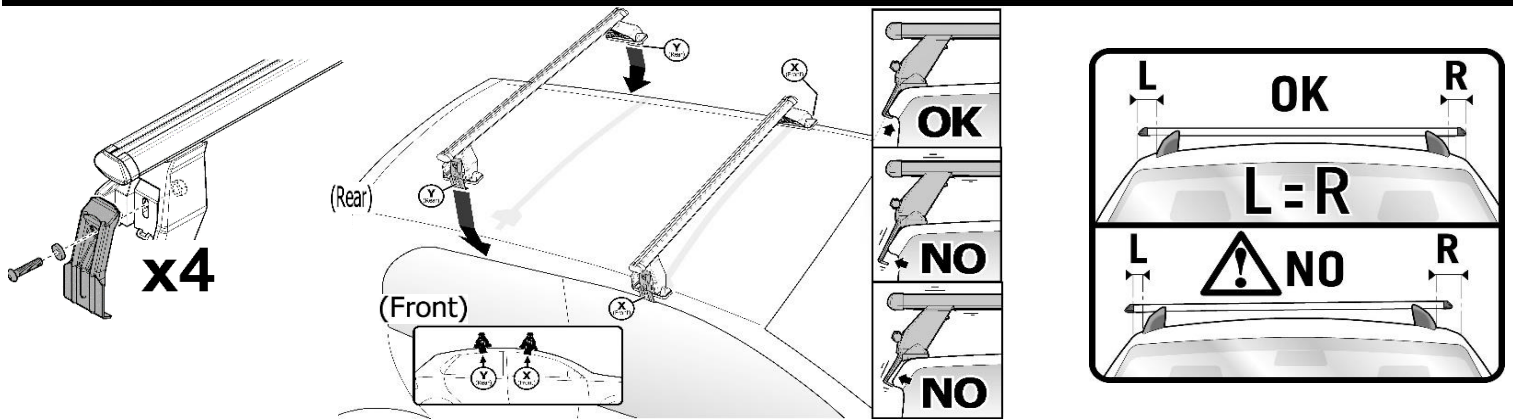


MANUFACTURER	MODEL CAR	DOORS	MODEL YEAR	B1	B2
FIAT	<i>Panda I</i>	3	80>03	2	2
NISSAN	<i>Micra (K11)</i>	3	92>03	2	2
PEUGEOT	<i>106</i>	3	92>04	2	2
SEAT	<i>Marbella</i>	3	86>98	2	2

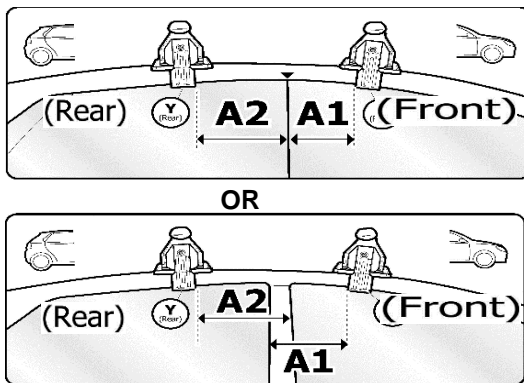
4



5



6



MANUFACTURER	MODEL CAR	DOORS	MODEL YEAR	A1	A2	A1	A2
				cm	cm	in	in
FIAT	<i>Panda I</i>	3	80>03	35	35	14	14
NISSAN	<i>Micra (K11)</i>	3	92>03	35	35	14	14
PEUGEOT	<i>106</i>	3	92>04	X	25	X	10
SEAT	<i>Marbella</i>	3	86>98	35	35	14	14

X = predisposizione originale /original arrangement