

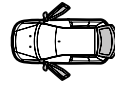
EVOS

NORDRIVE®

TRANSPORT SOLUTIONS

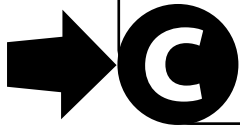
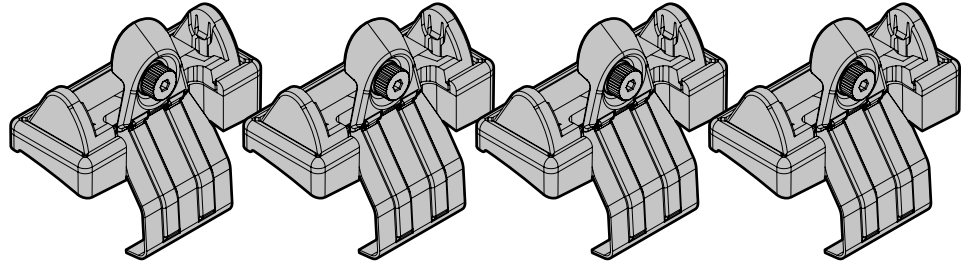
FORD FIESTA

3



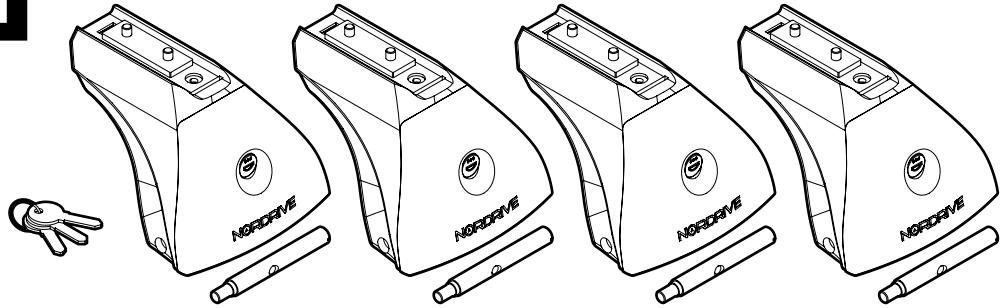
11/02 → 08/08

Art. N21002



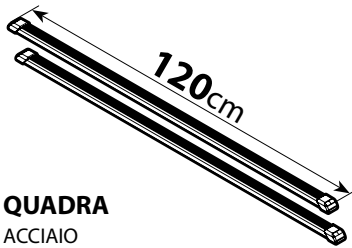
+

Art. N20001



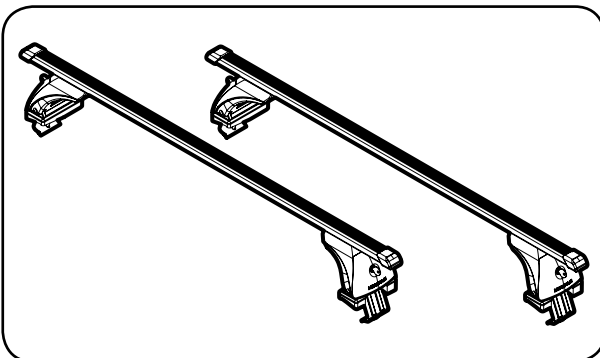
+

Art. N15020 **M**

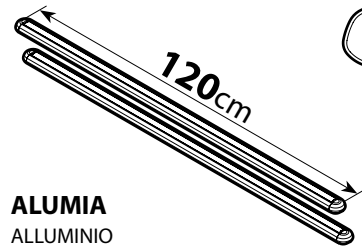


A QUADRA
ACCIAIO
Steel

=

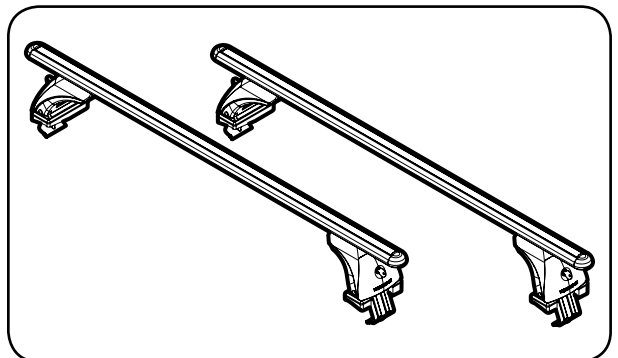


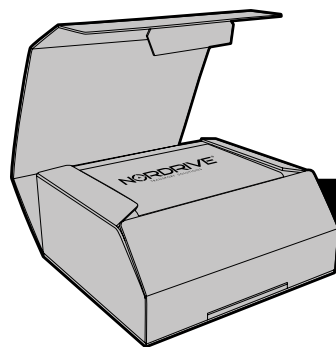
Art. N15025 **M**



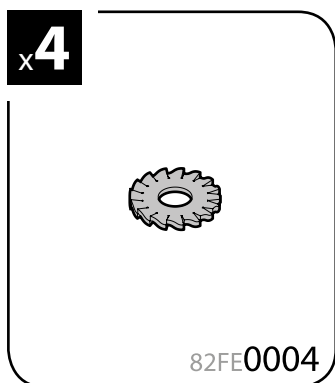
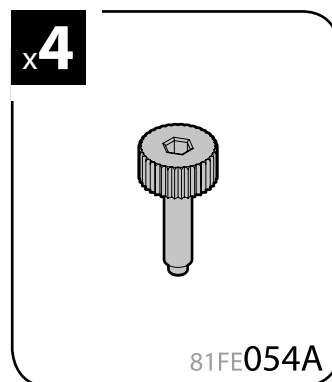
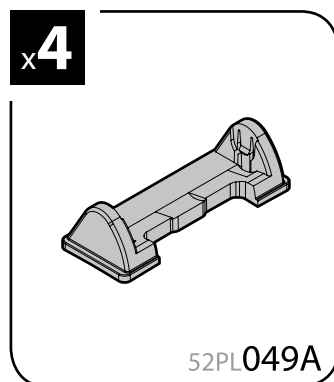
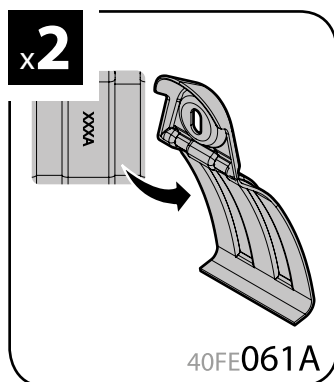
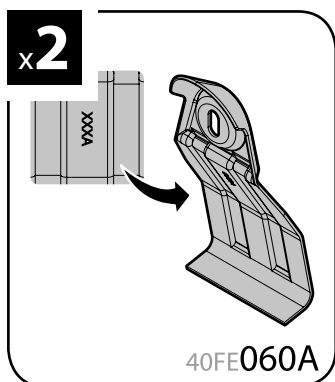
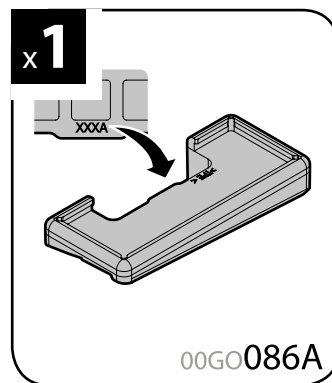
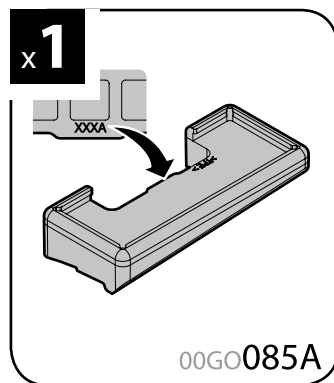
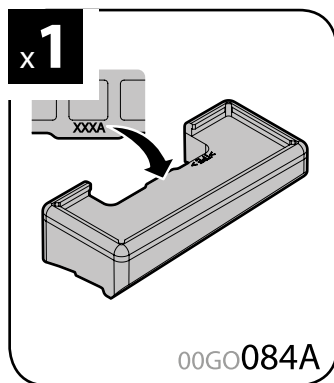
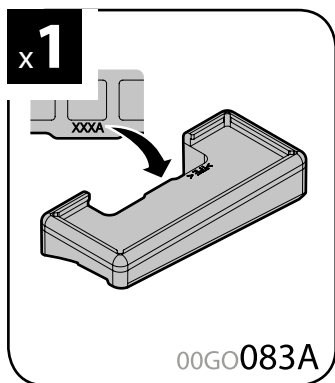
A ALUMIA
ALLUMINIO
Aluminium

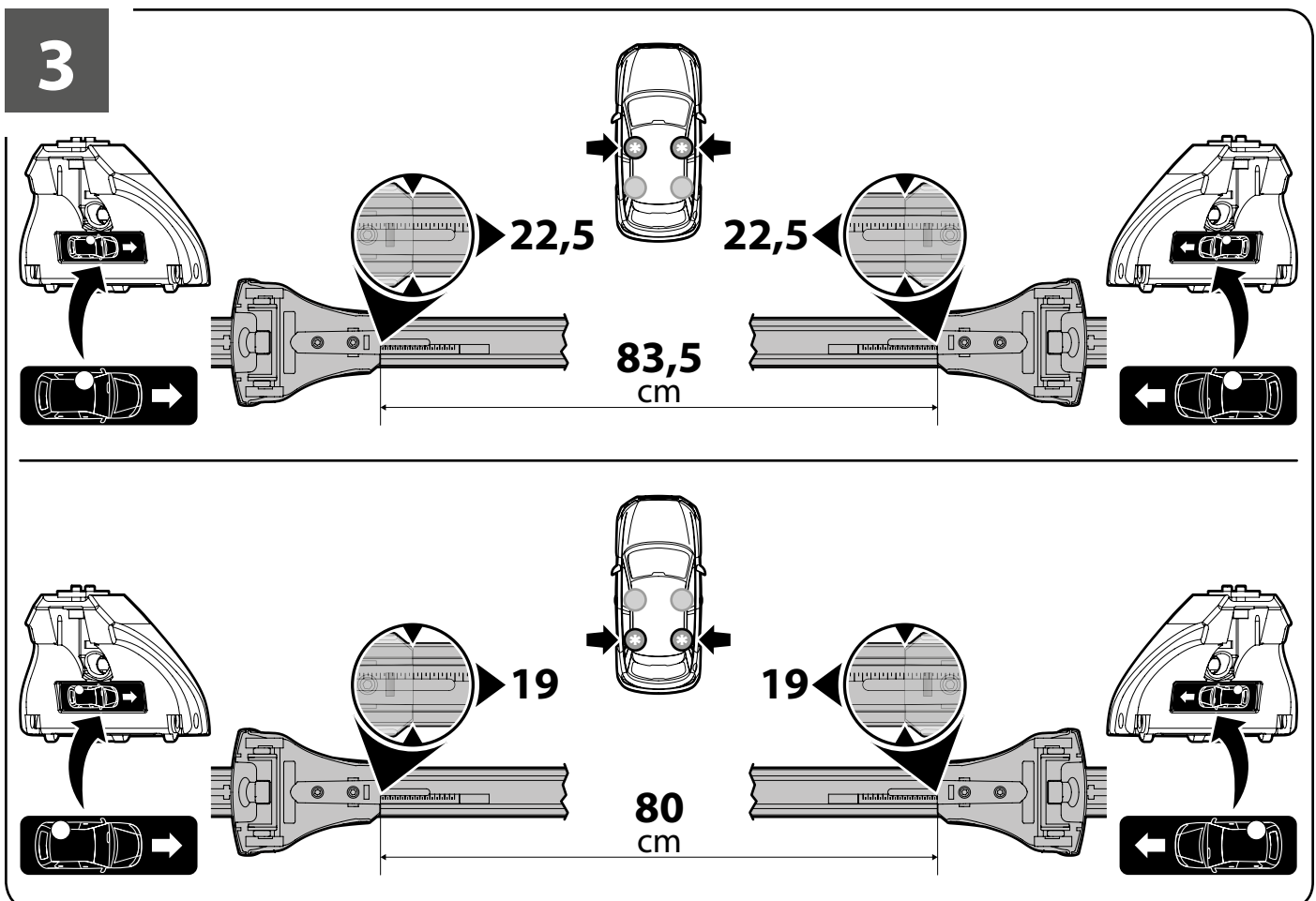
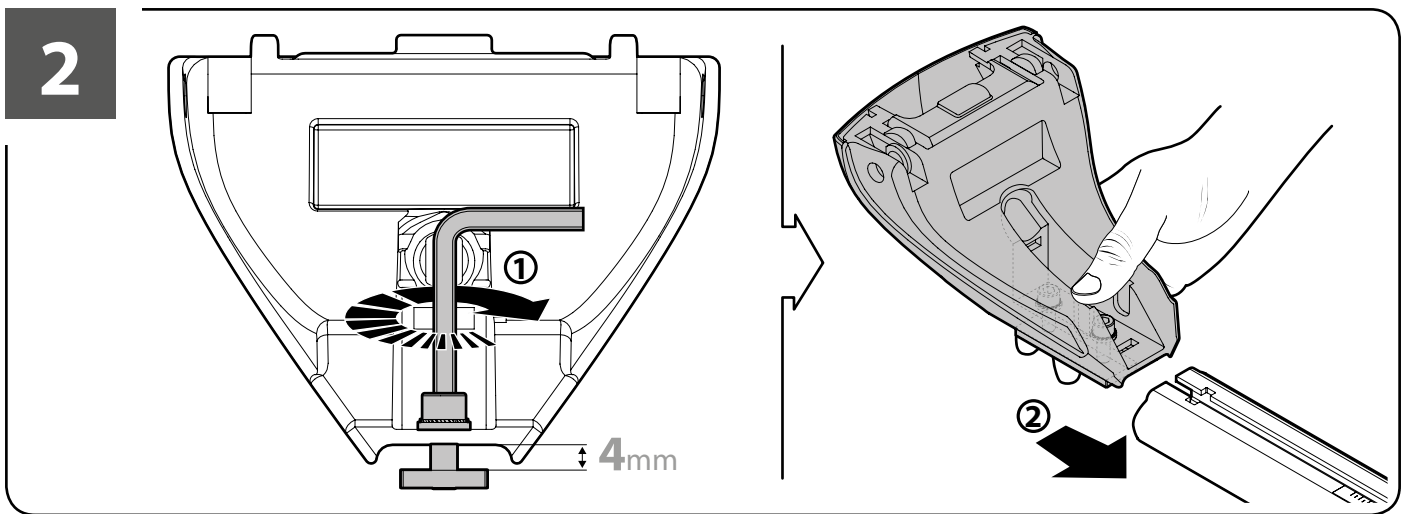
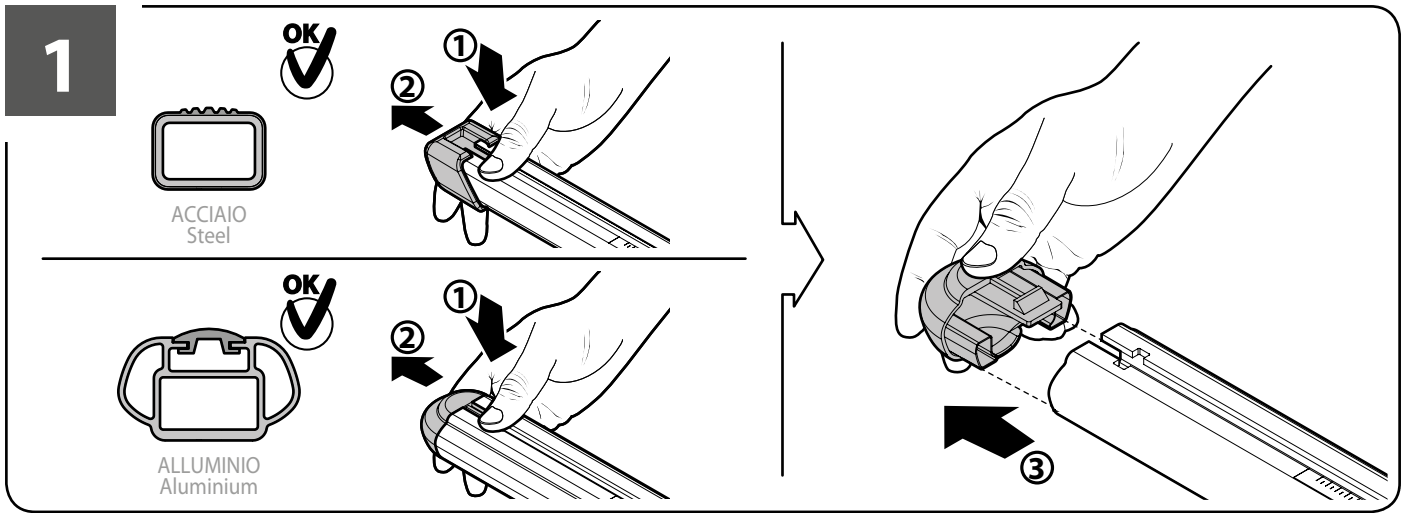
=



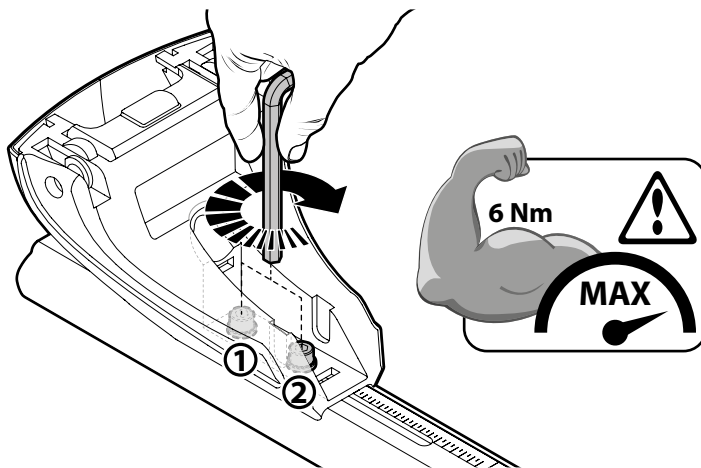


Art. **N21002**

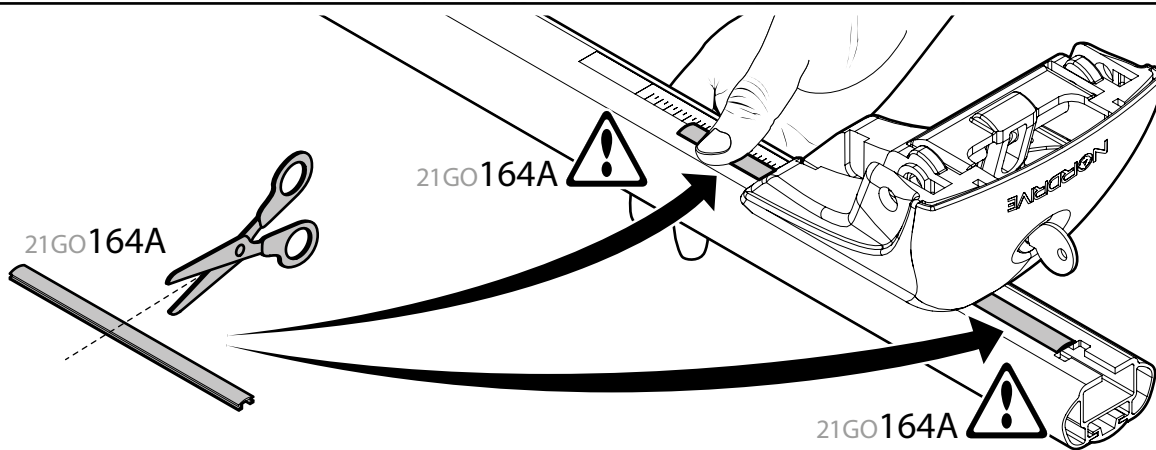




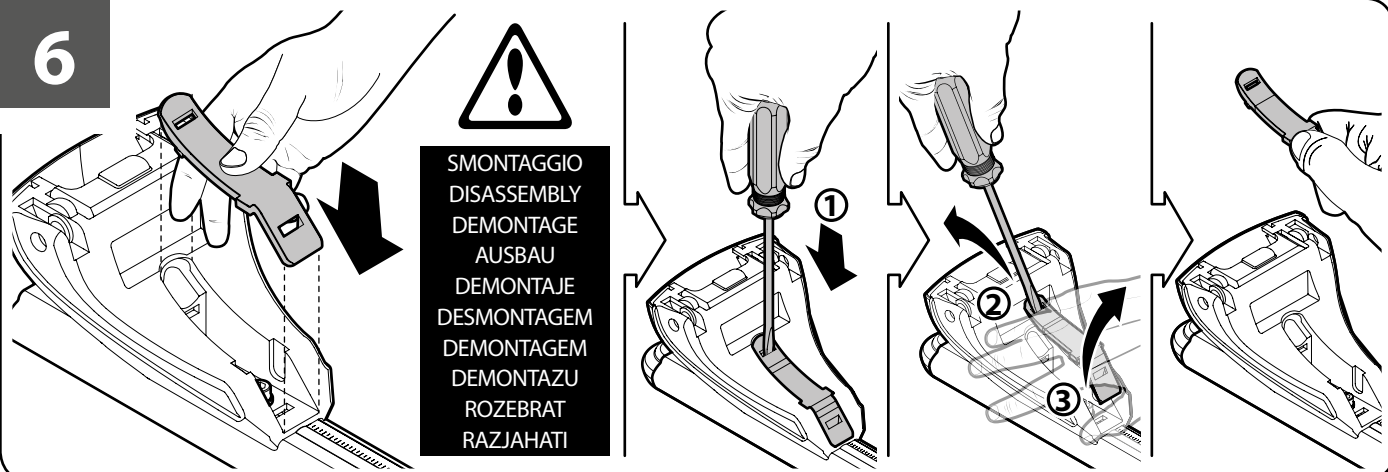
4



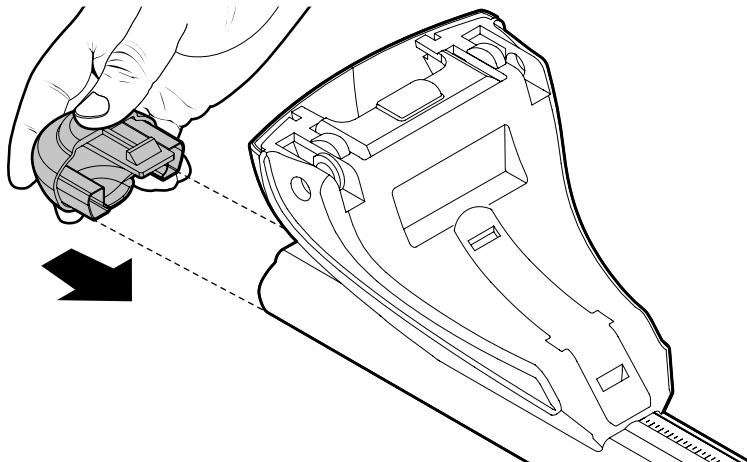
5



6

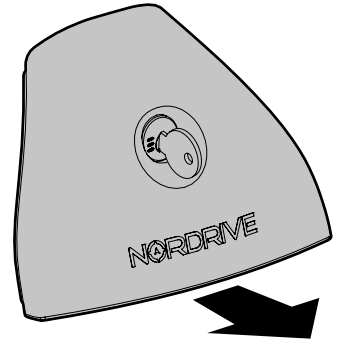
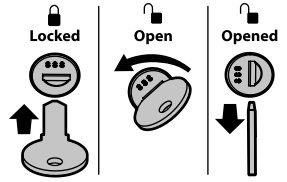
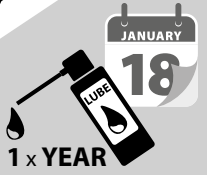


7

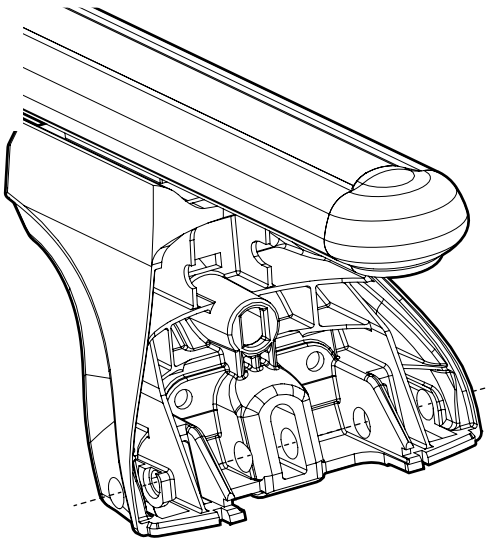


8

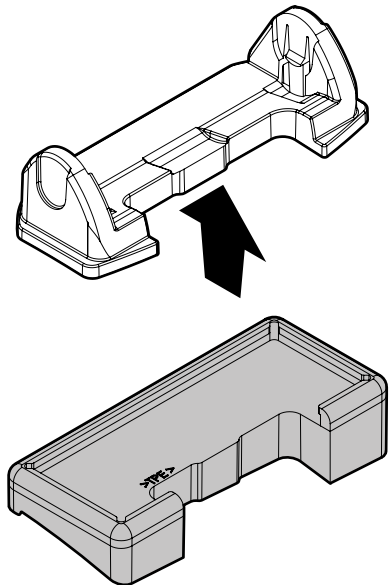
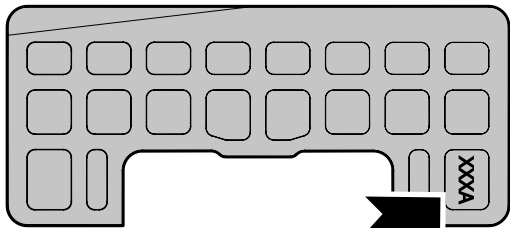
🔥 x1



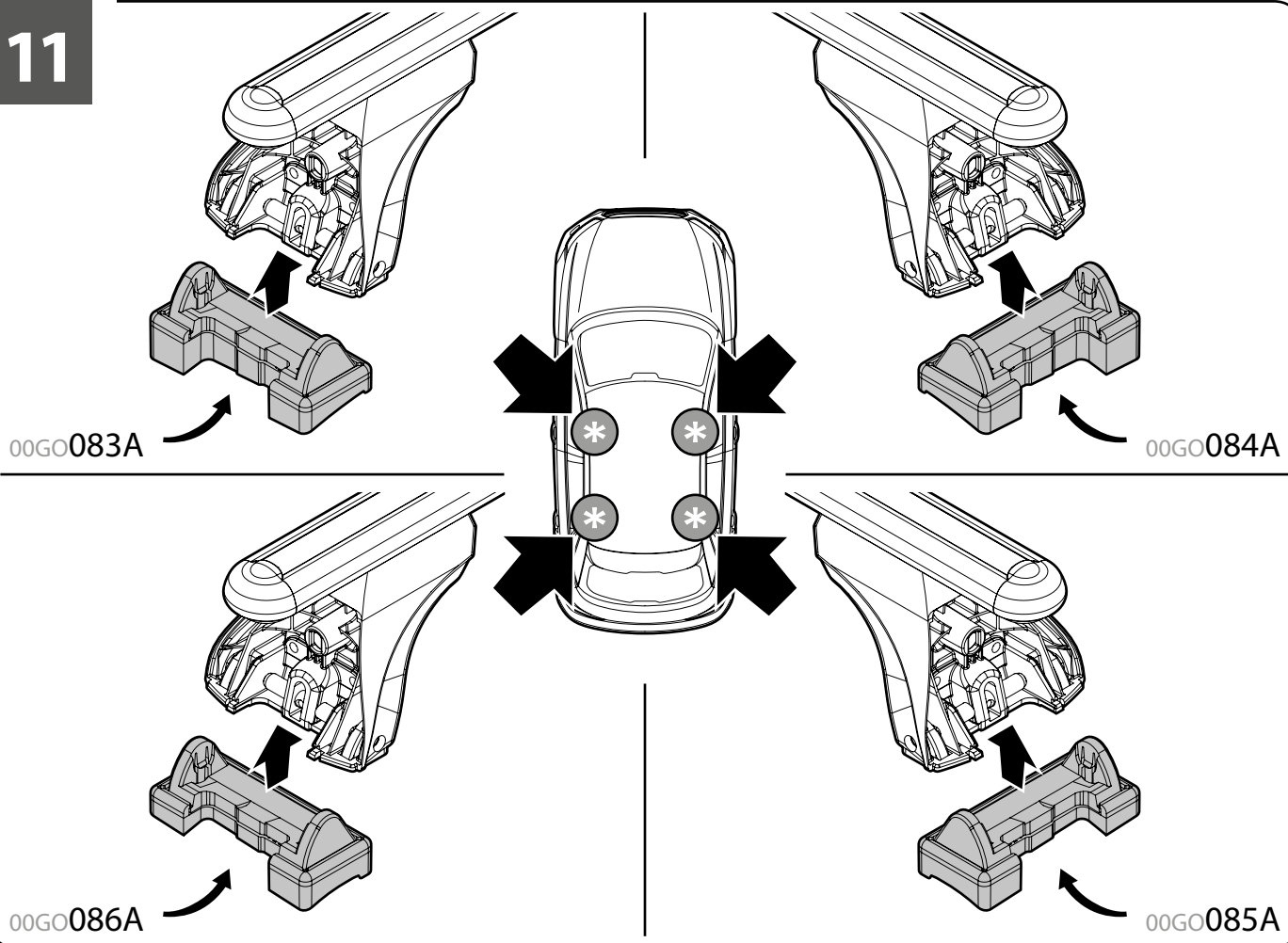
9



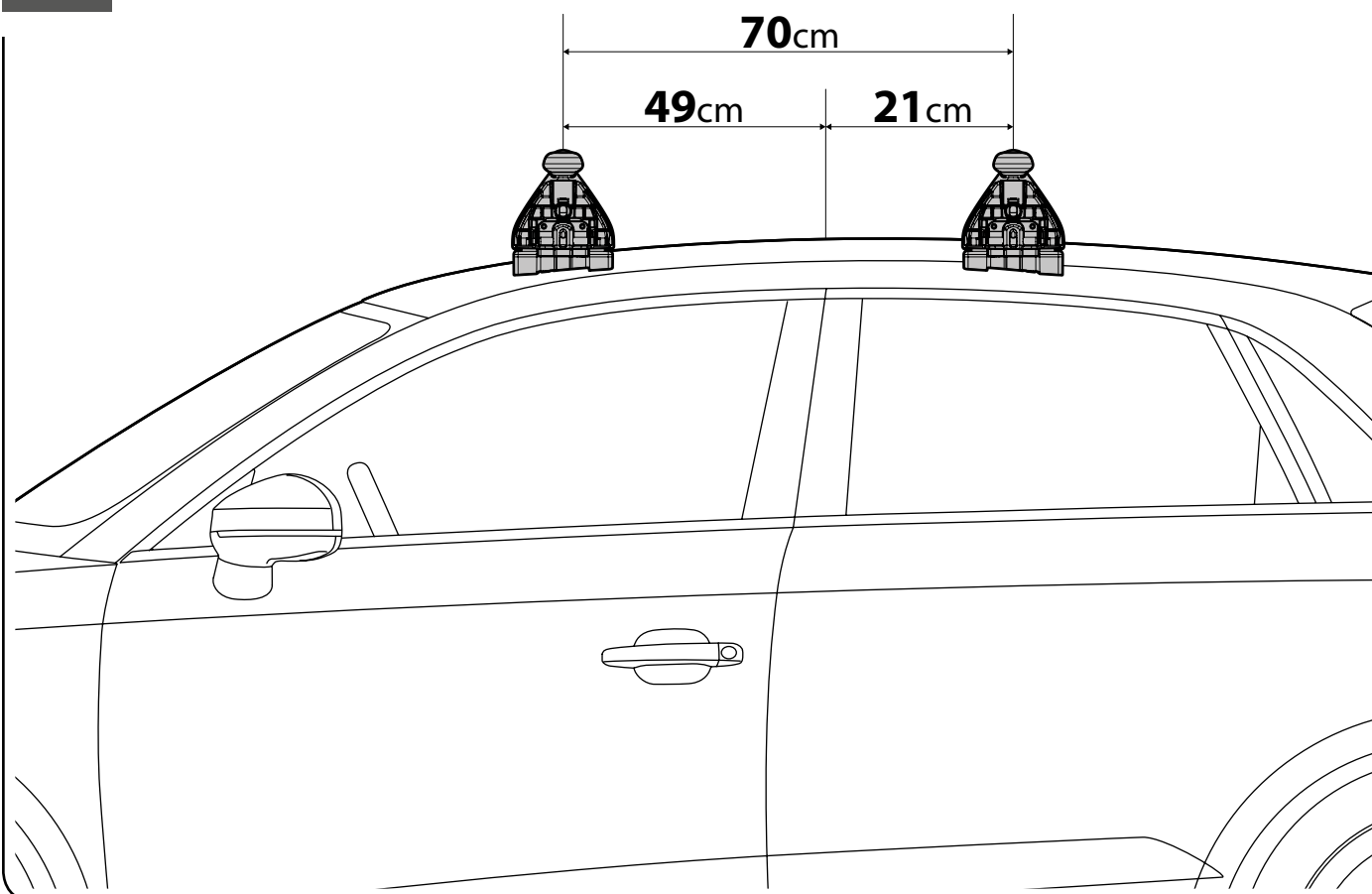
10



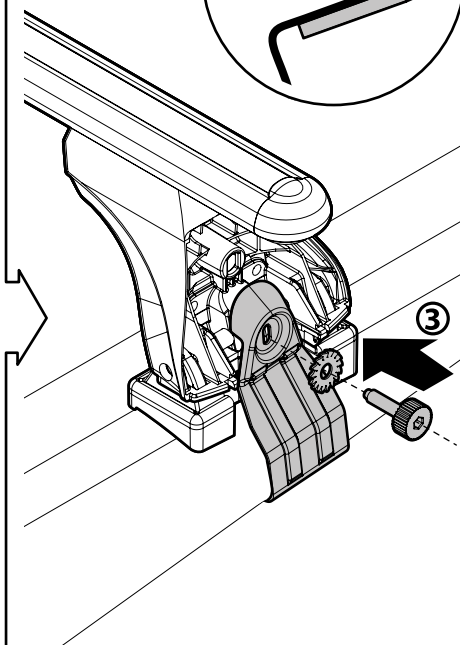
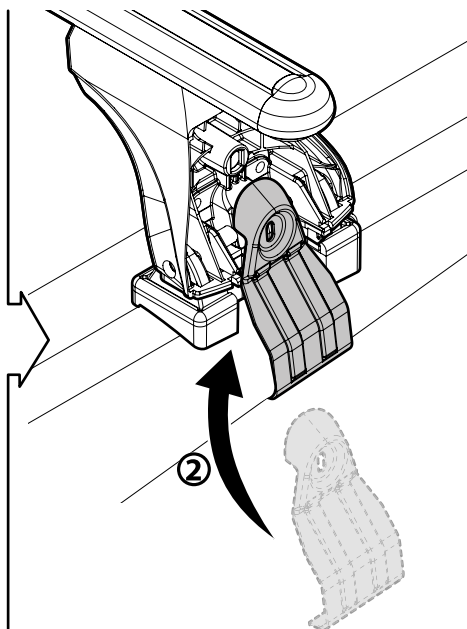
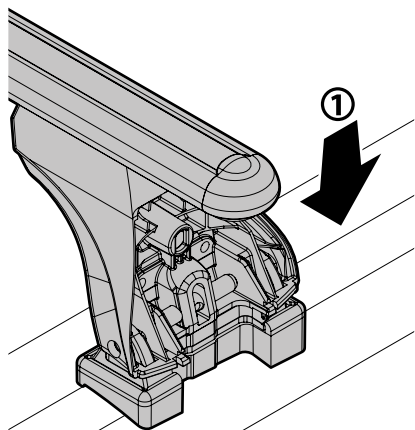
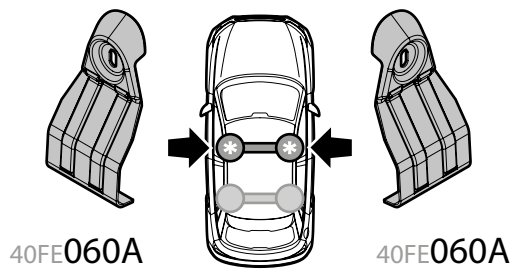
11



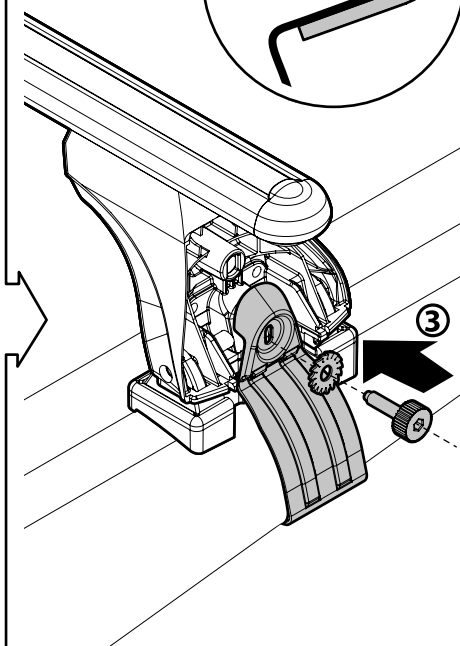
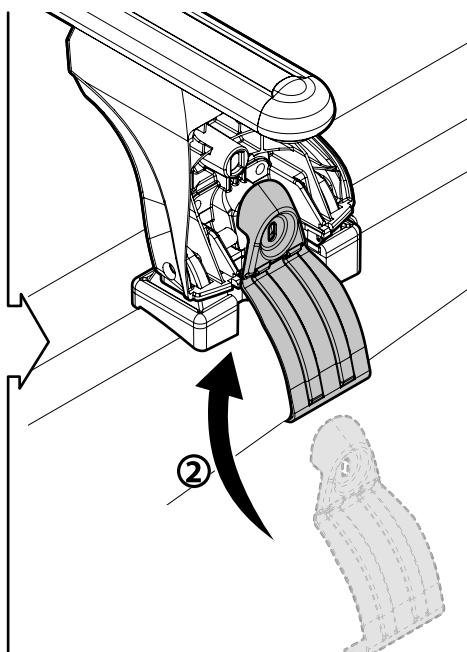
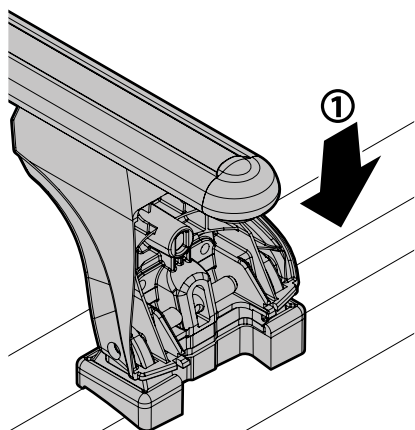
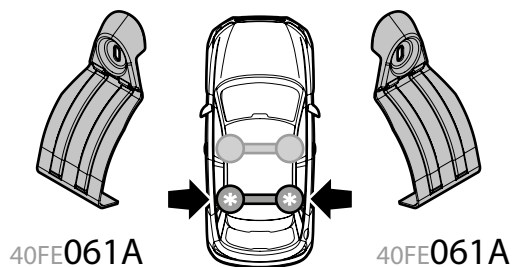
12



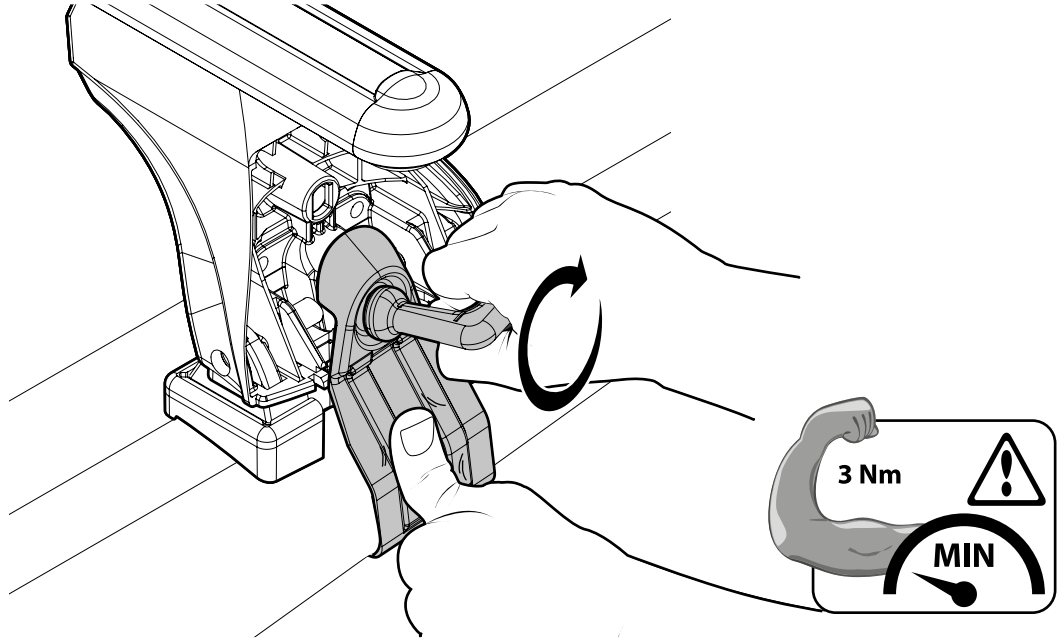
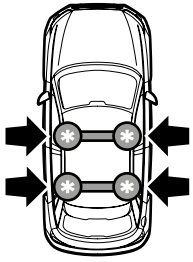
13



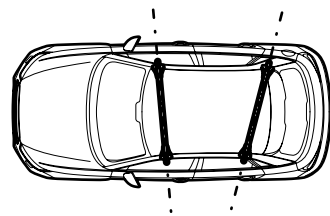
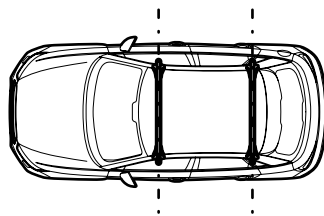
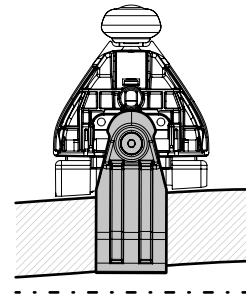
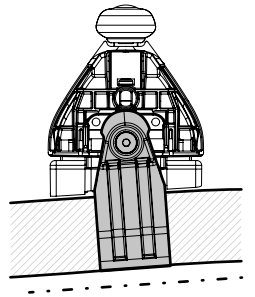
14



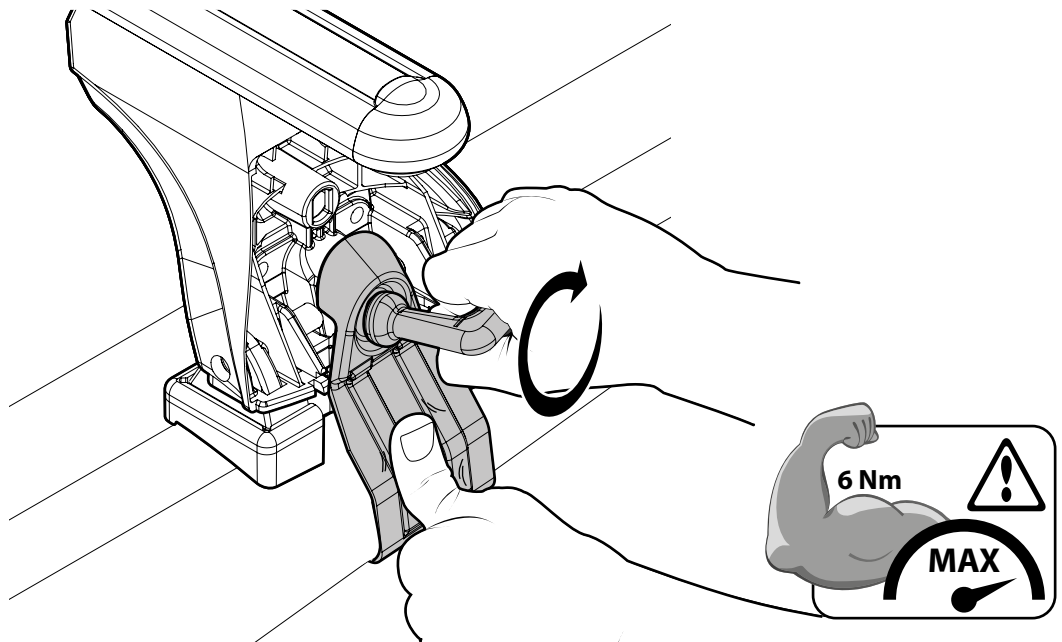
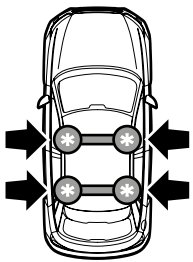
15



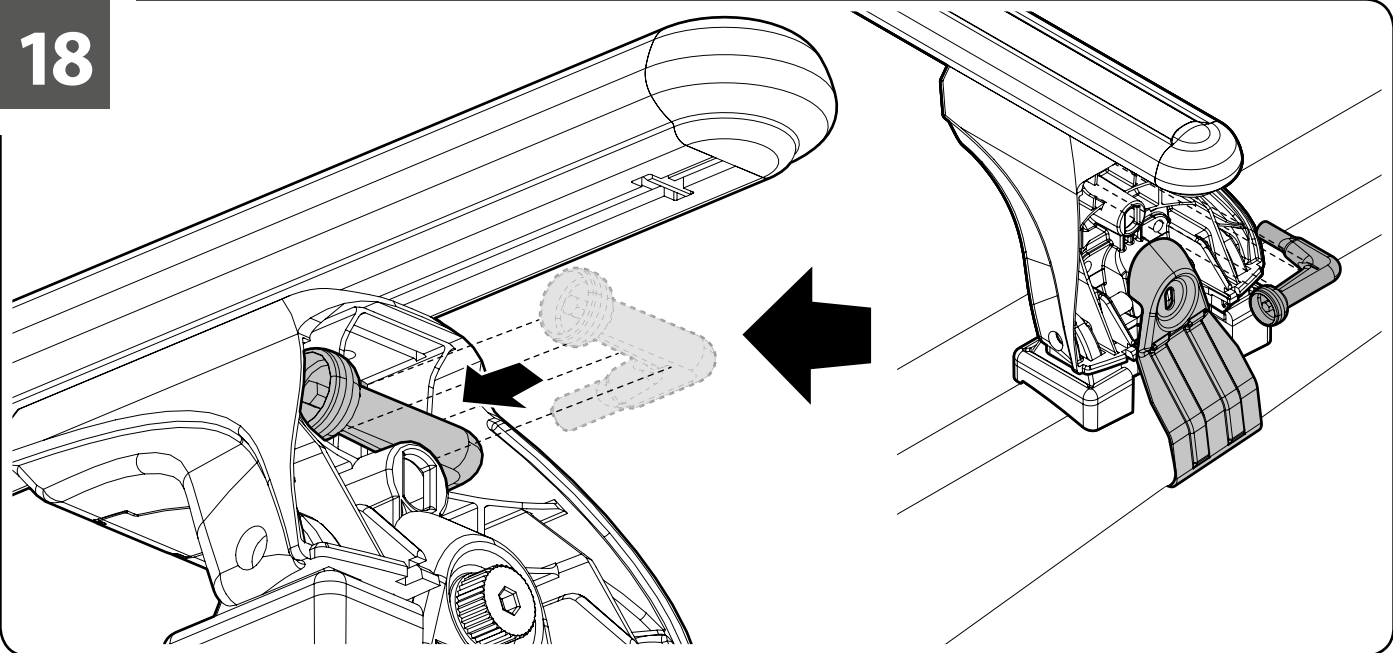
16



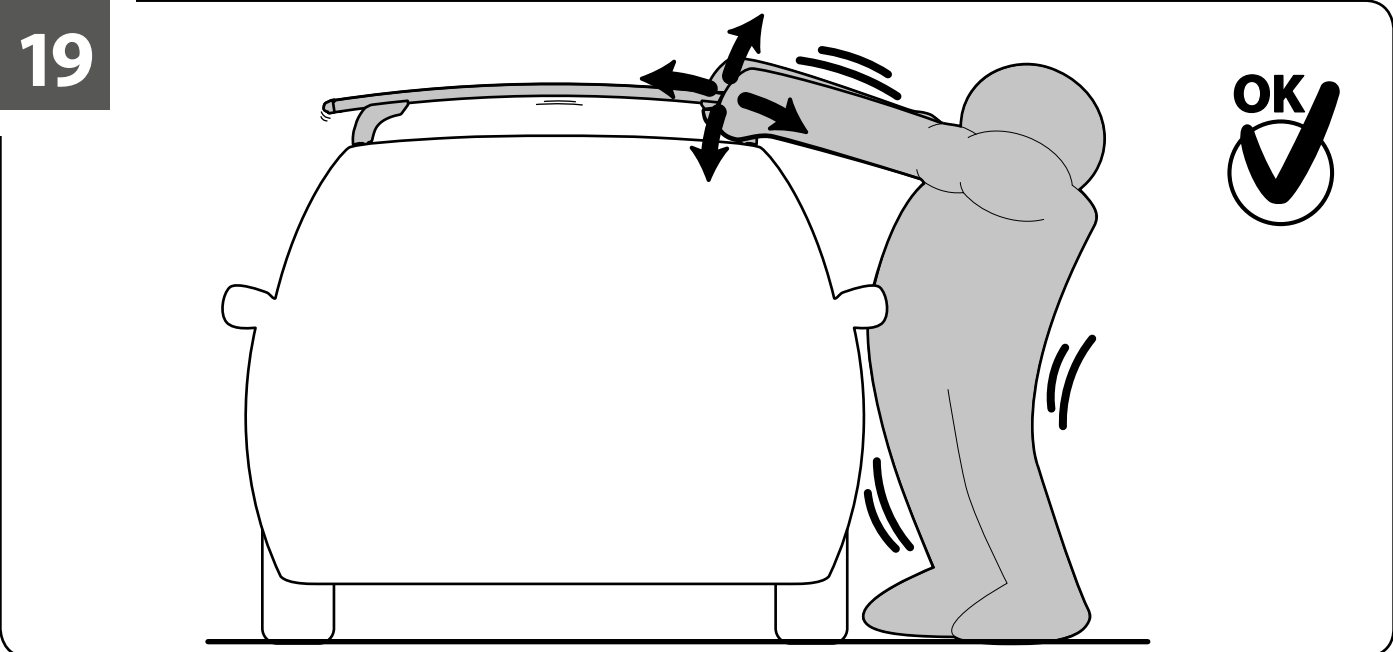
17



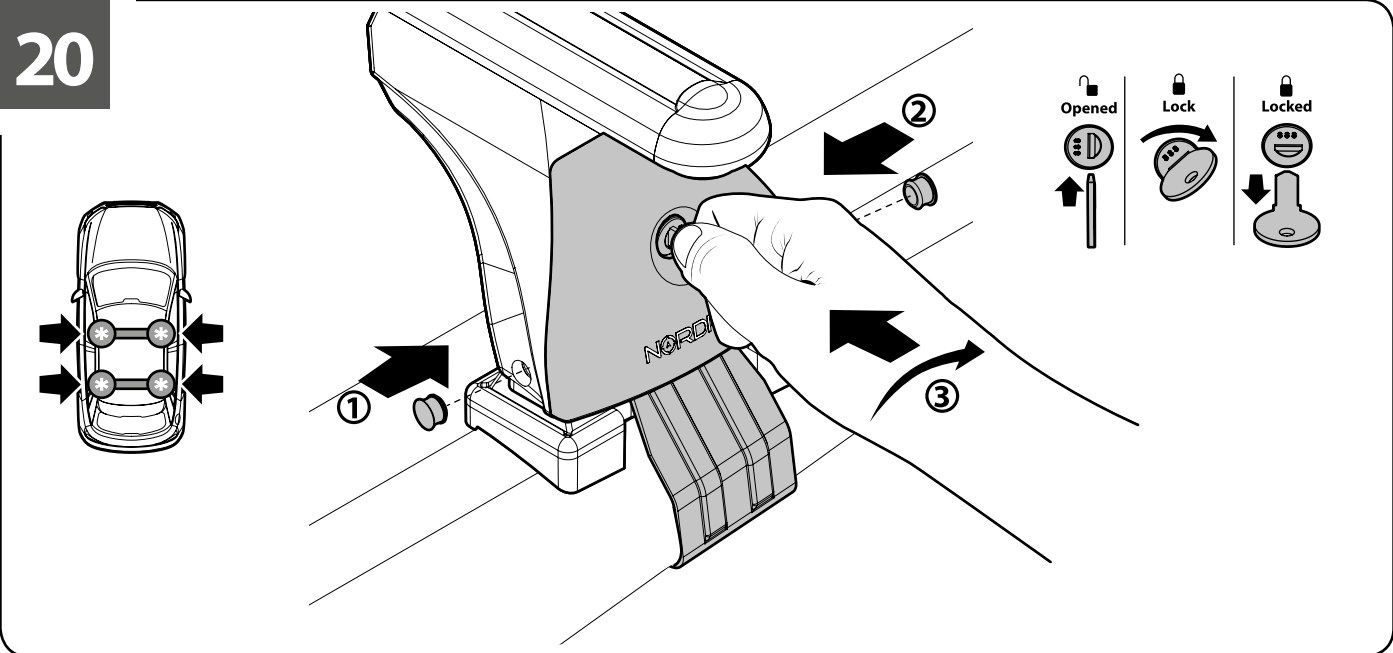
18



19



20



EVOS

NORDRIVE[®]
TRANSPORT SOLUTIONS

is a registered trade mark of

LAMPA S.p.A.

Via G. Rossa 53/55, 46019 Viadana (MN) ITALY

Tel. +39 0375 820700

UNI EN ISO 9001:2015 Certified Company

www.nordrive.it

www.lampa.it