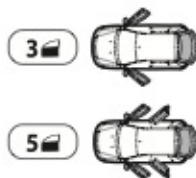


EVOS

NORDRIVE

TRANSPORT SOLUTIONS

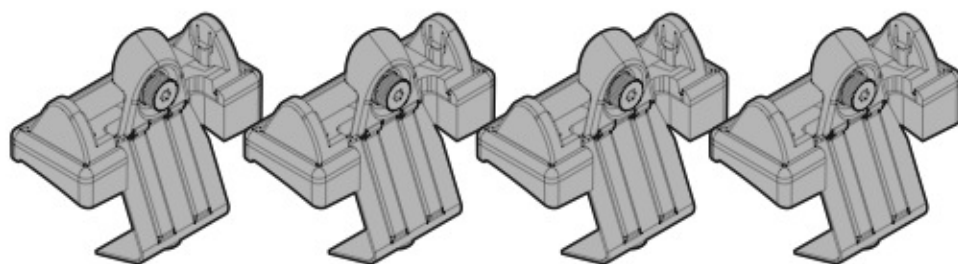
NISSAN
MICRA



01/03 → 10/10



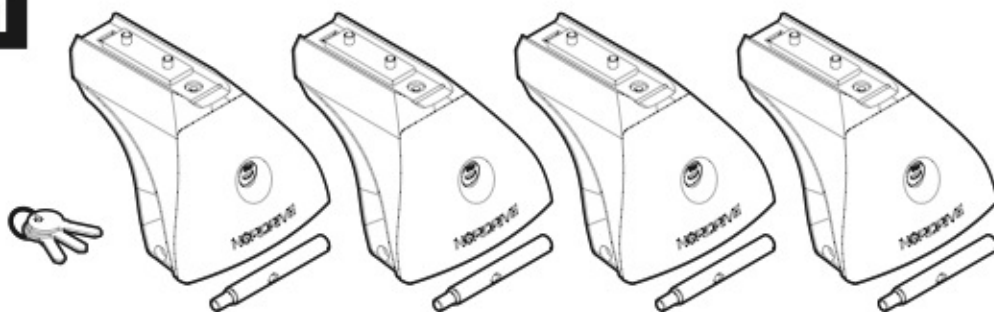
Art. N21006



C

+

Art. N20001



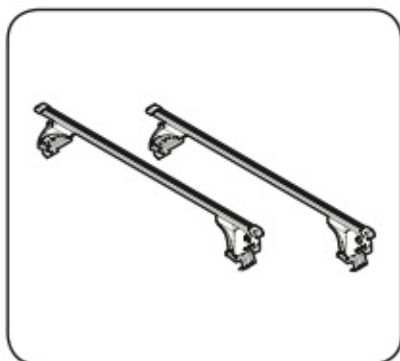
B

+

Art. N15020 **M**



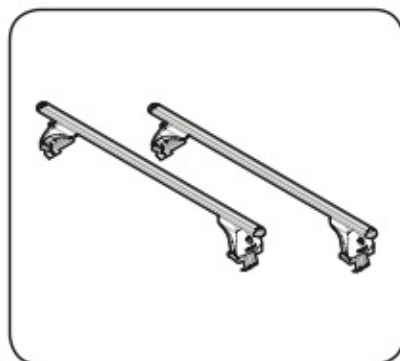
=



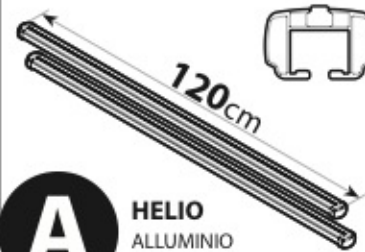
Art. N15025 **M**



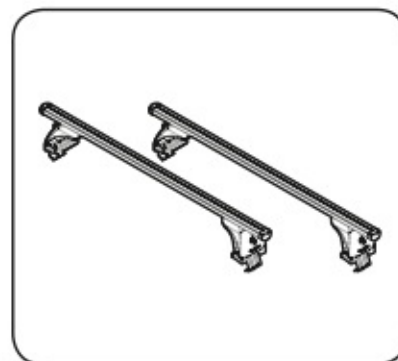
=



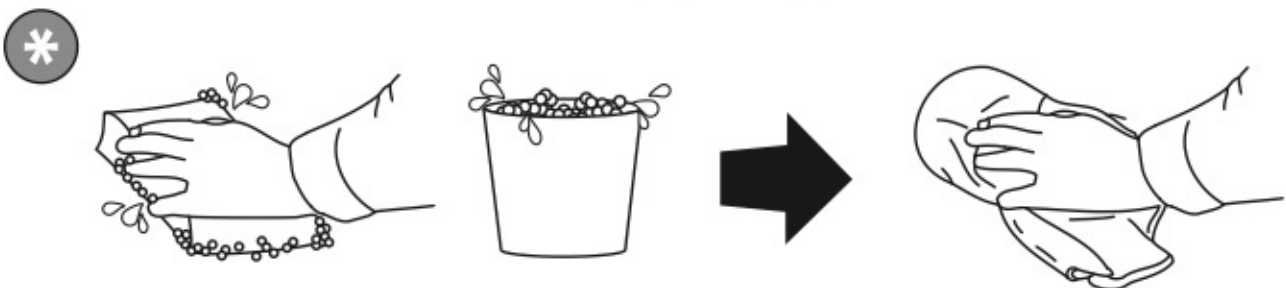
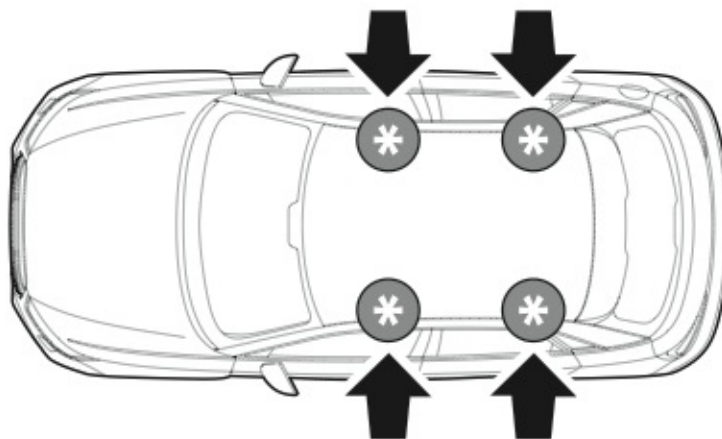
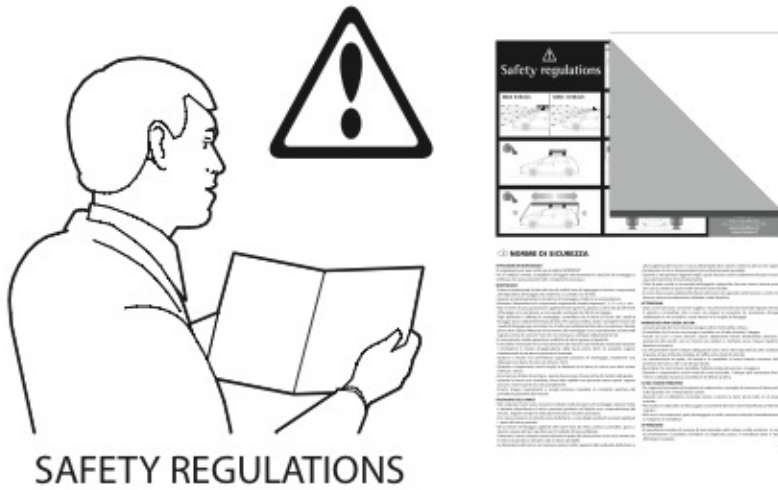
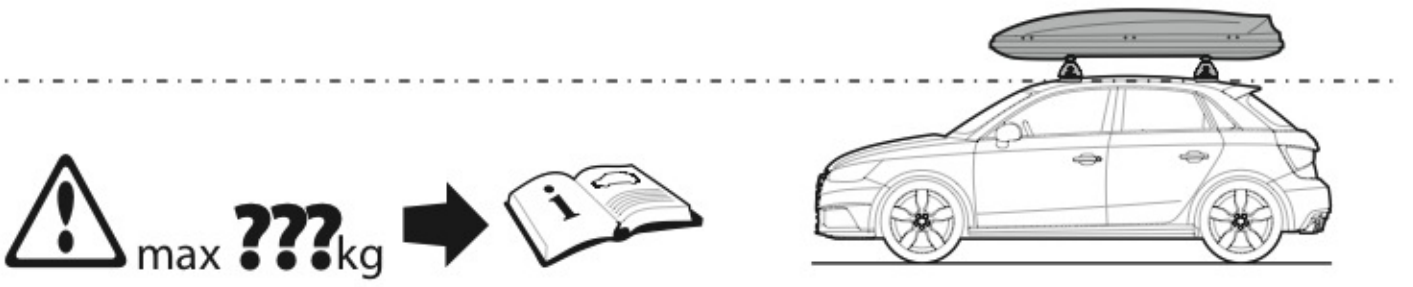
Art. N15075 **M**



=

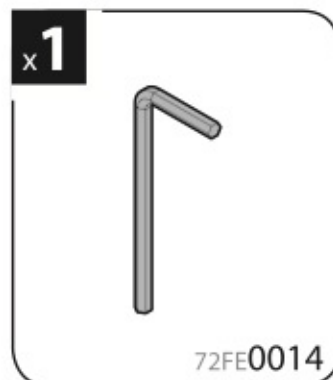
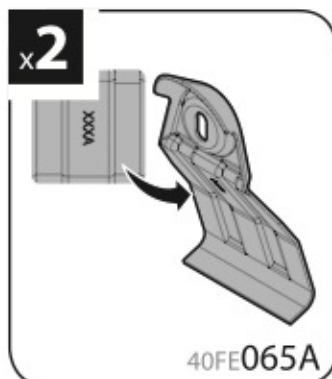
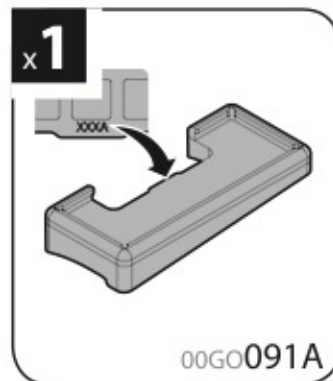
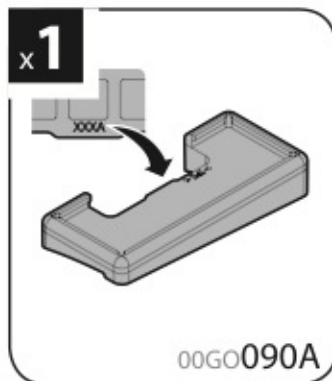
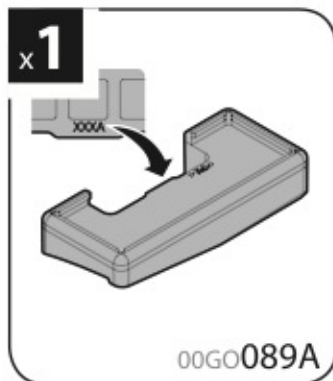
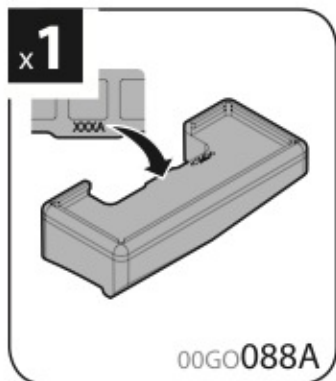


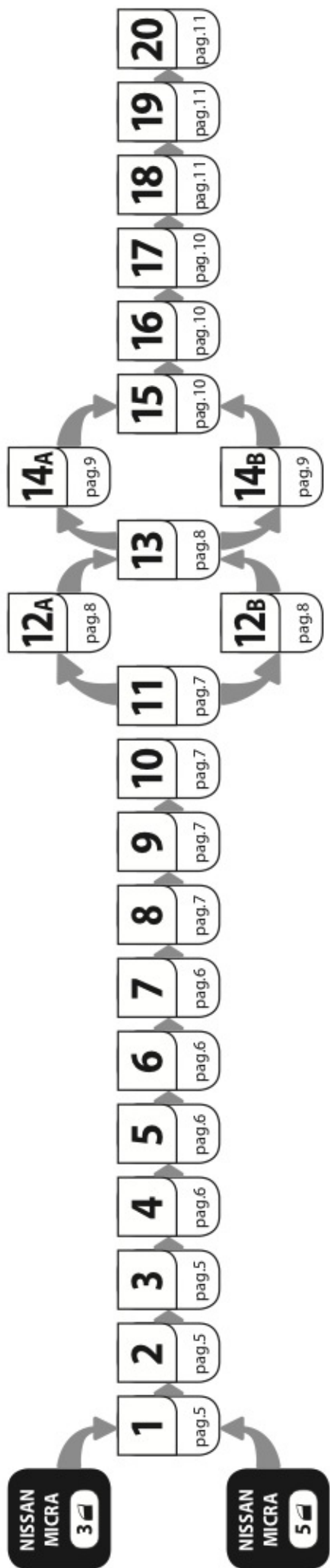
+
 +
 = max kg. **75**

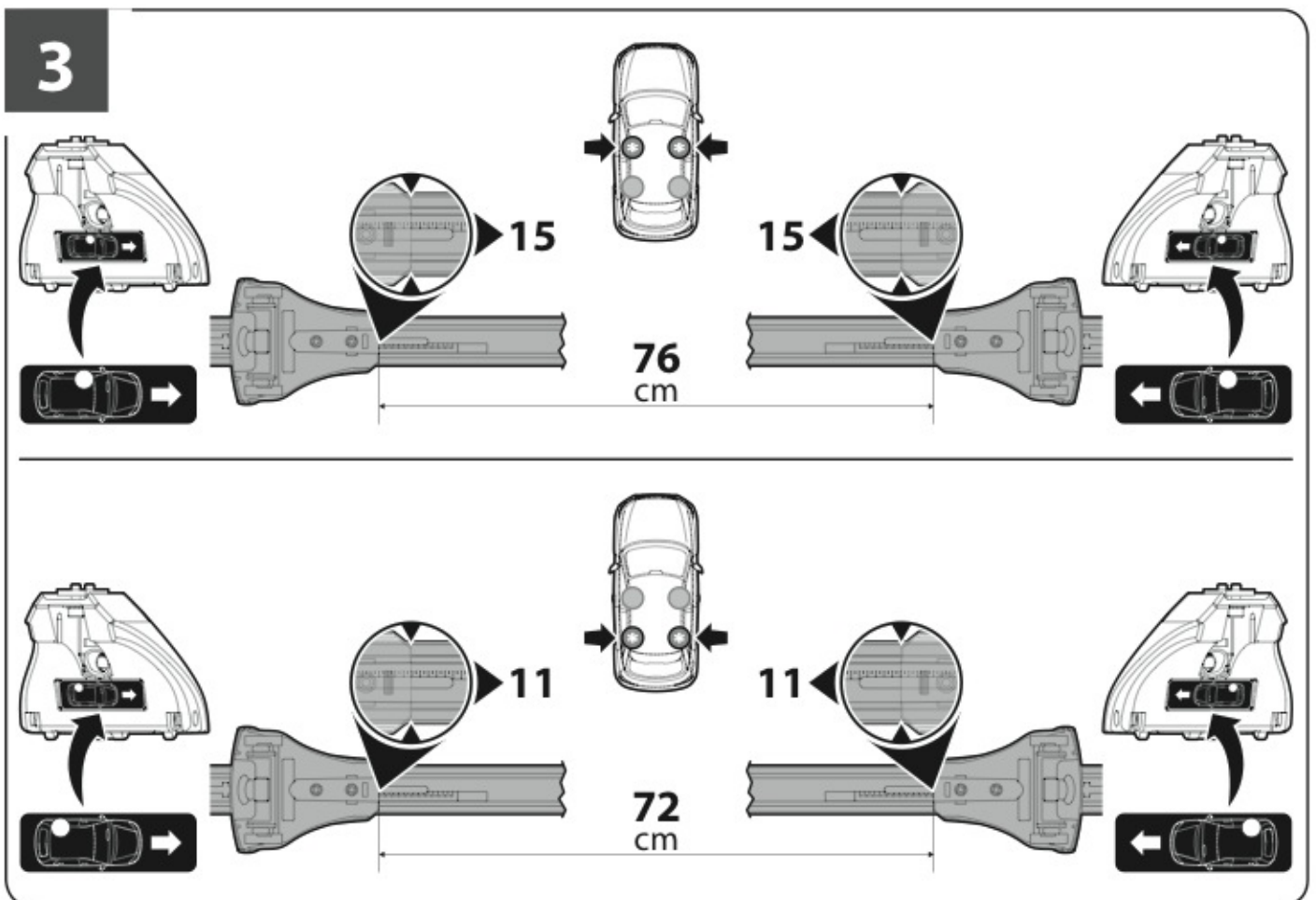
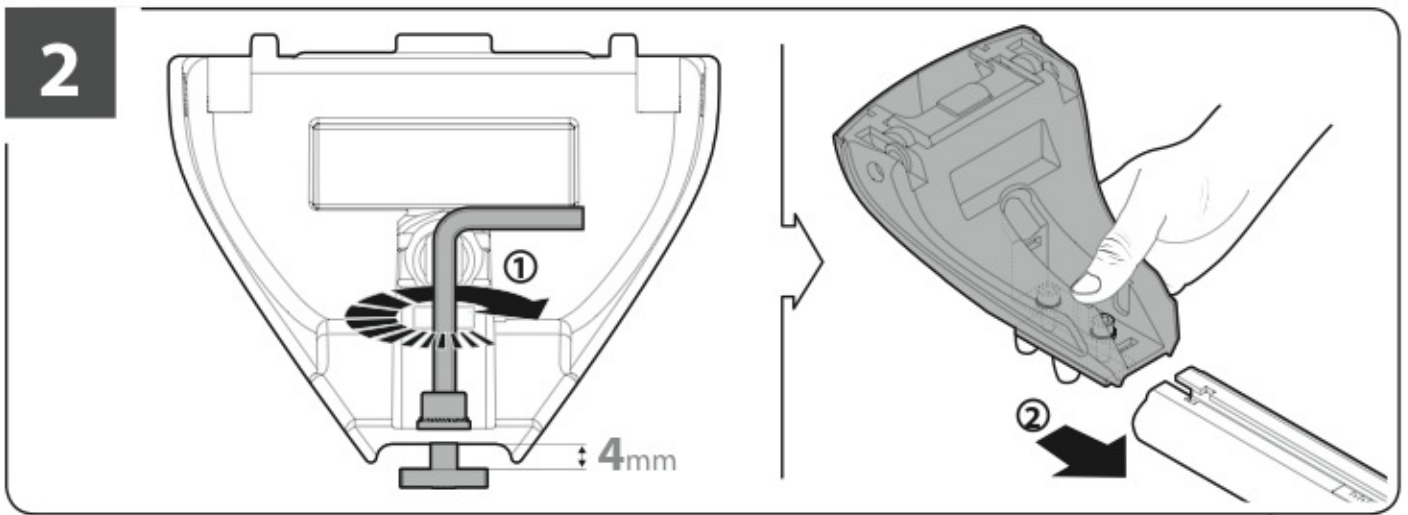
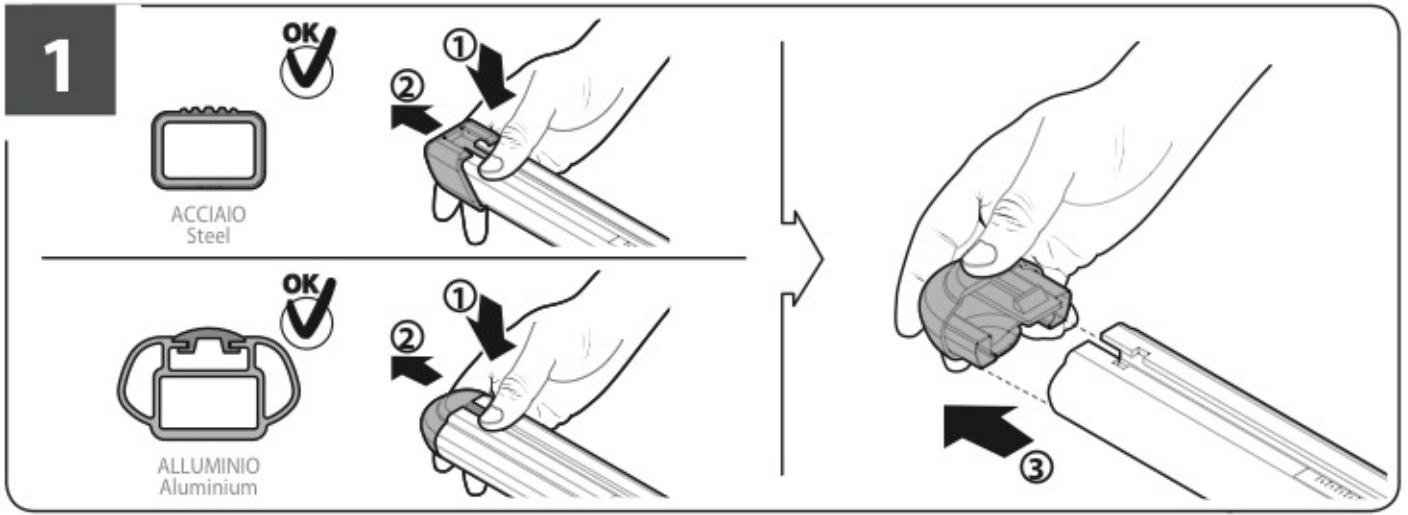




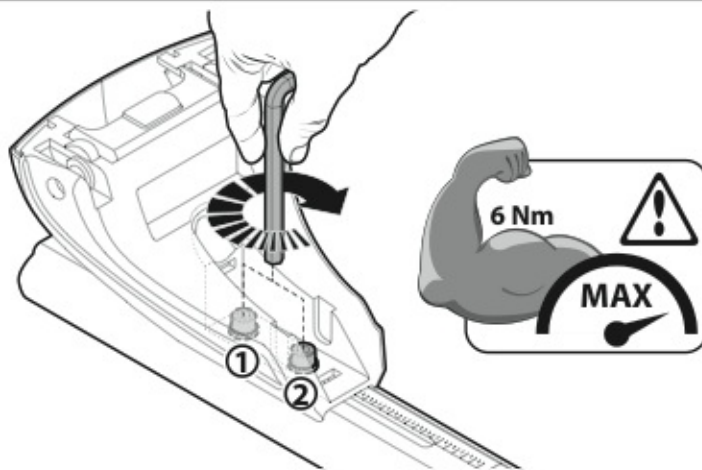
Art. **N21006**



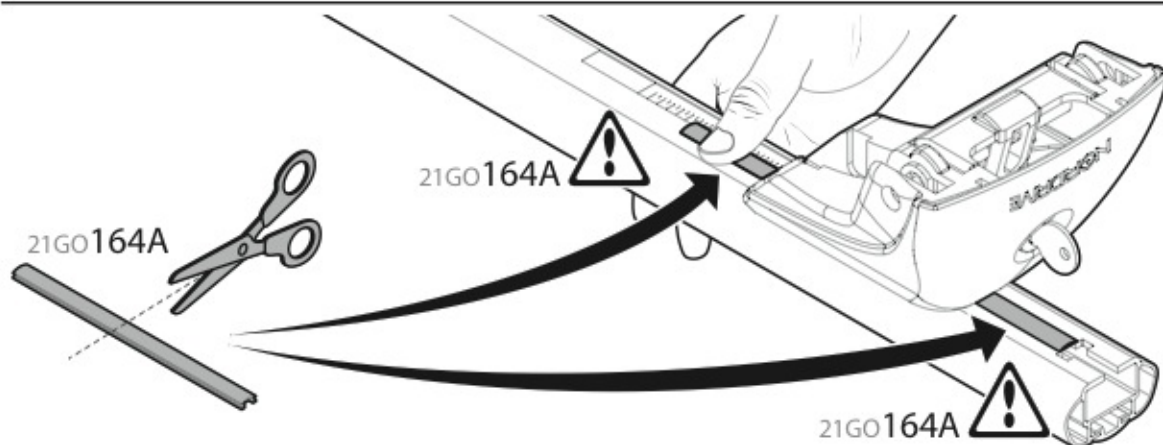




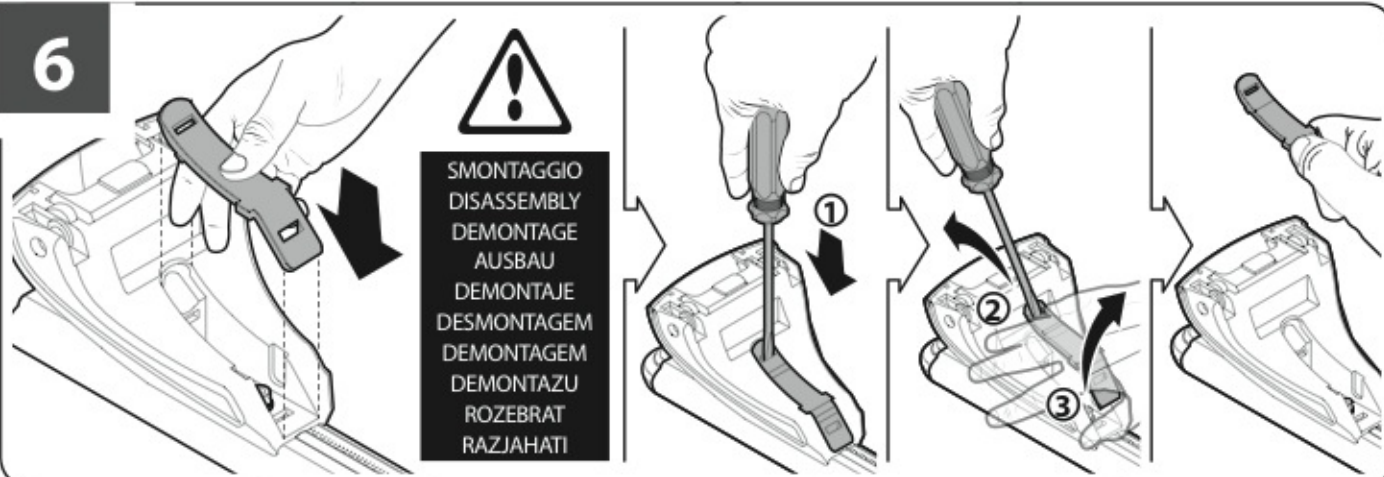
4



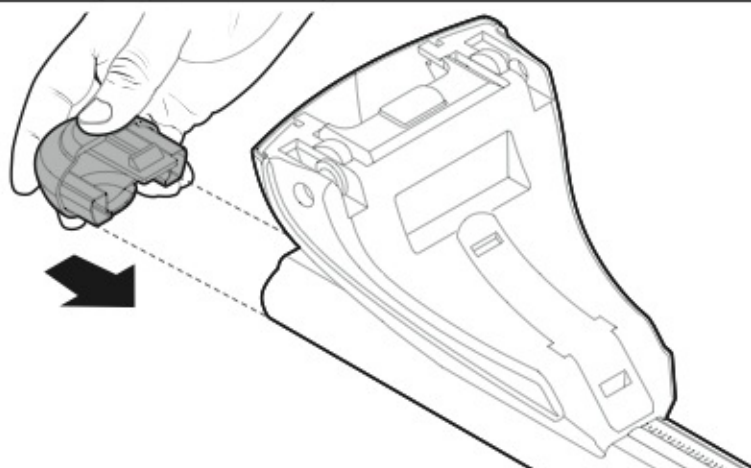
5

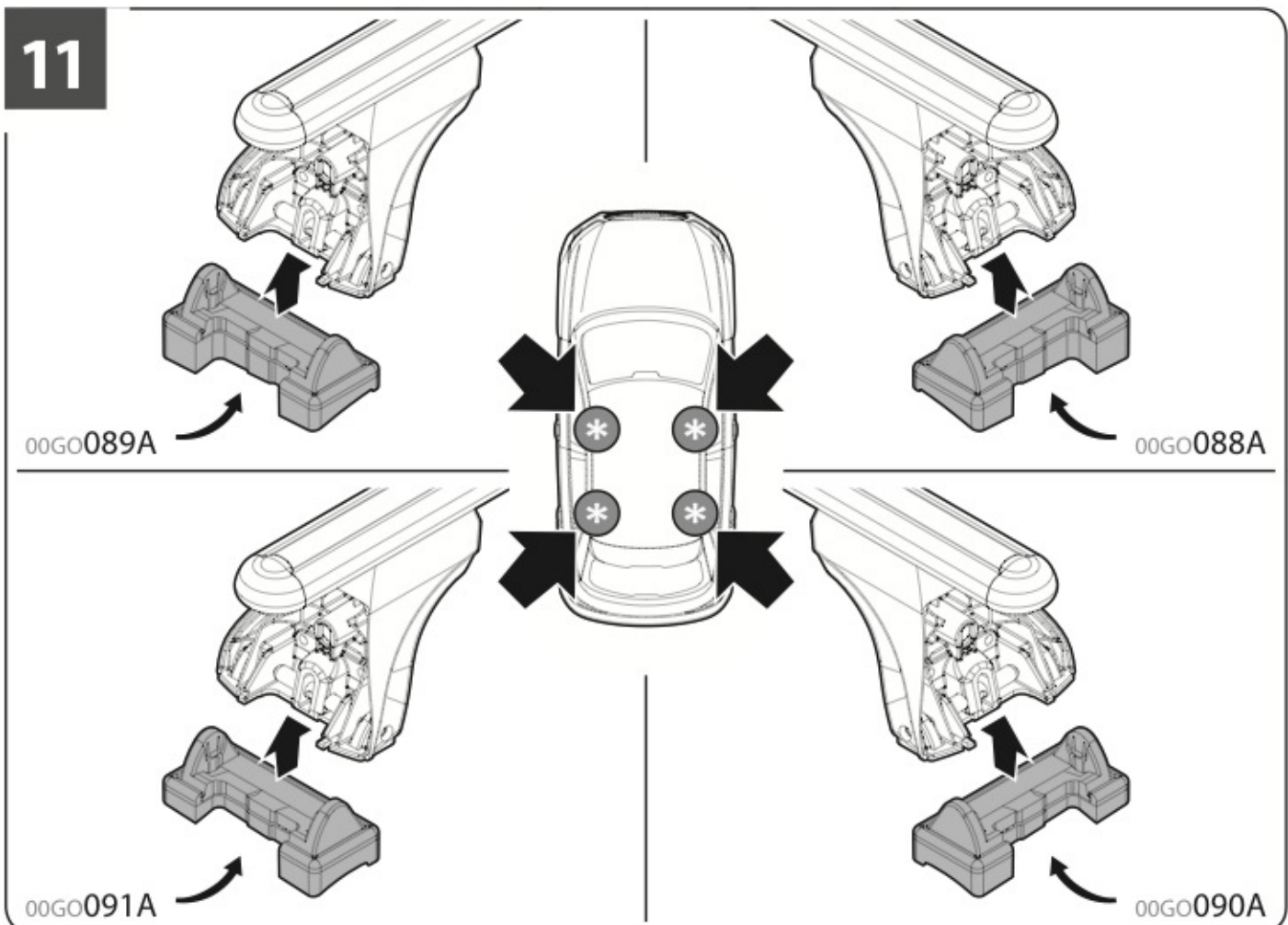
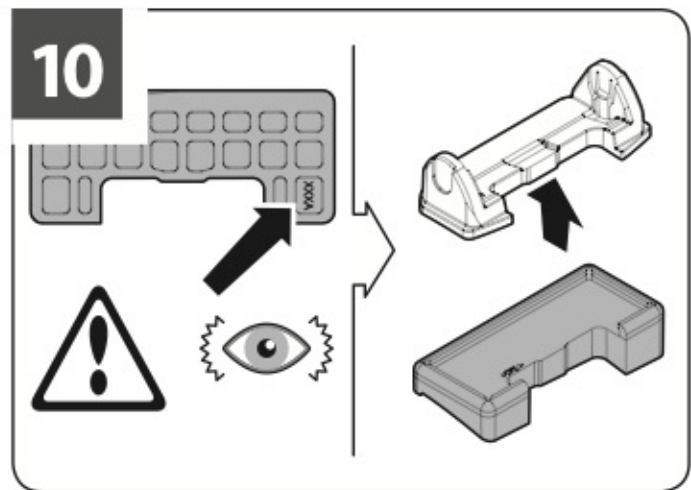
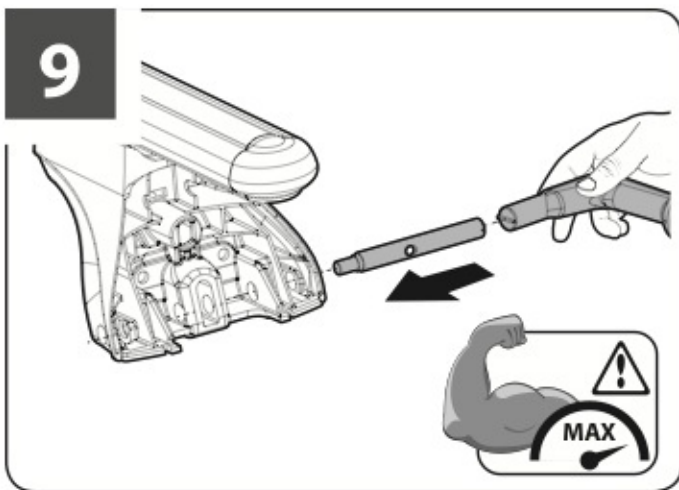
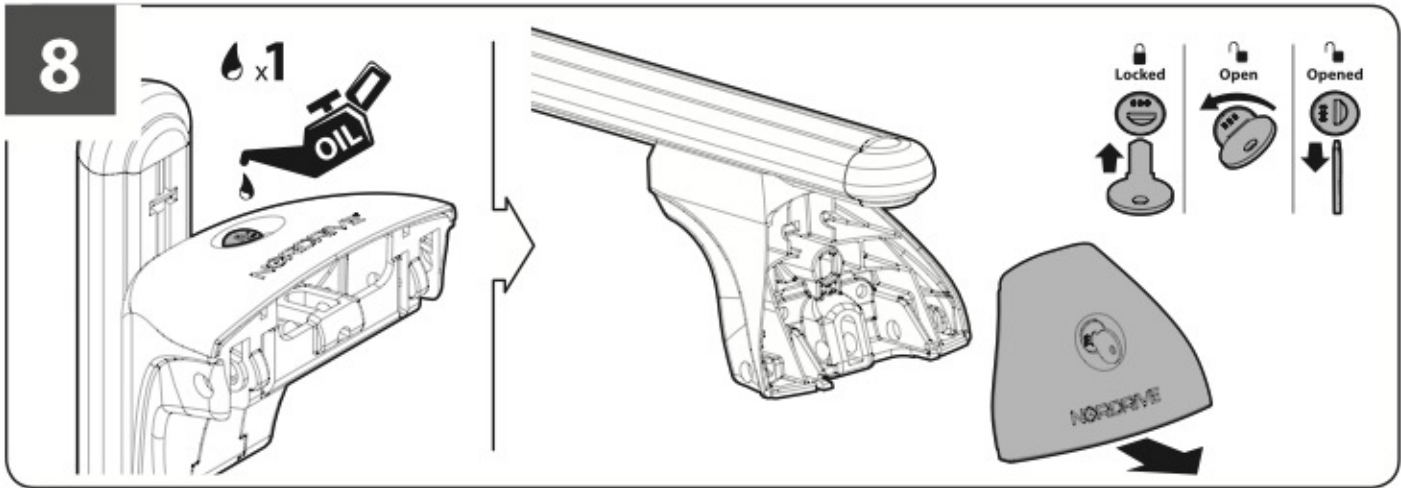


6



7



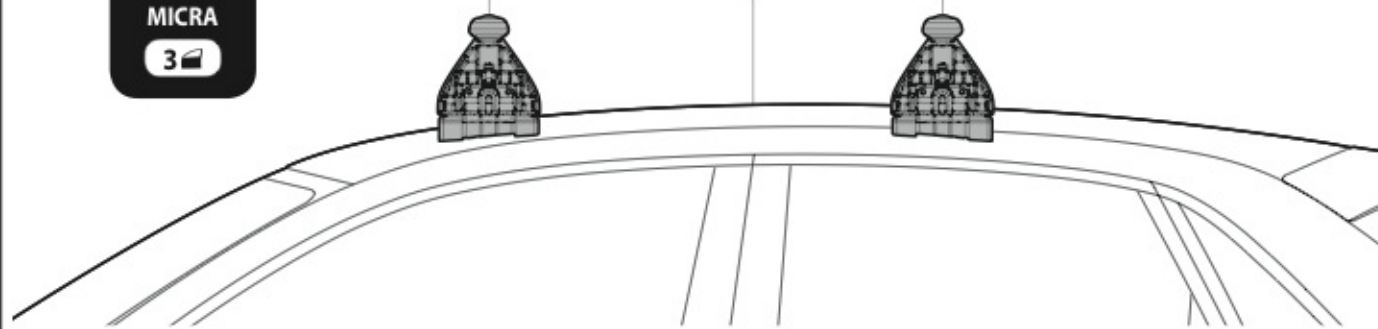


12_A

NISSAN
MICRA

3

60cm
45cm 15cm

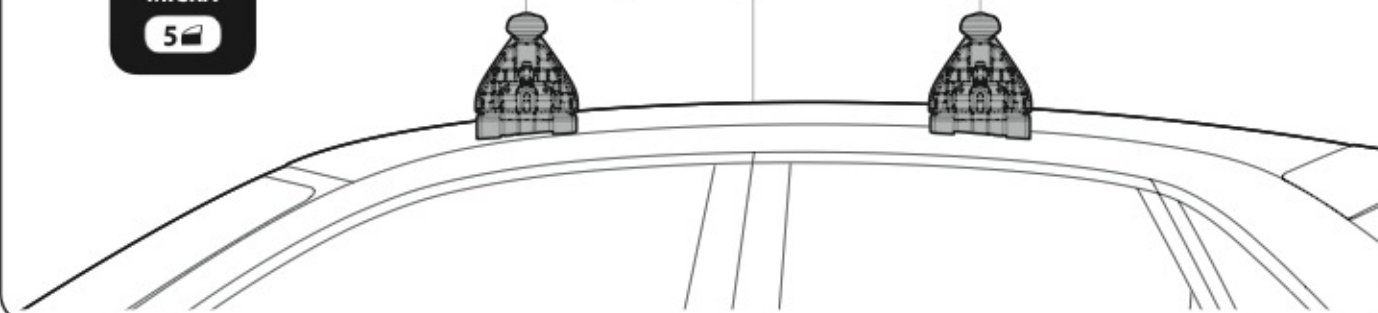


12_B

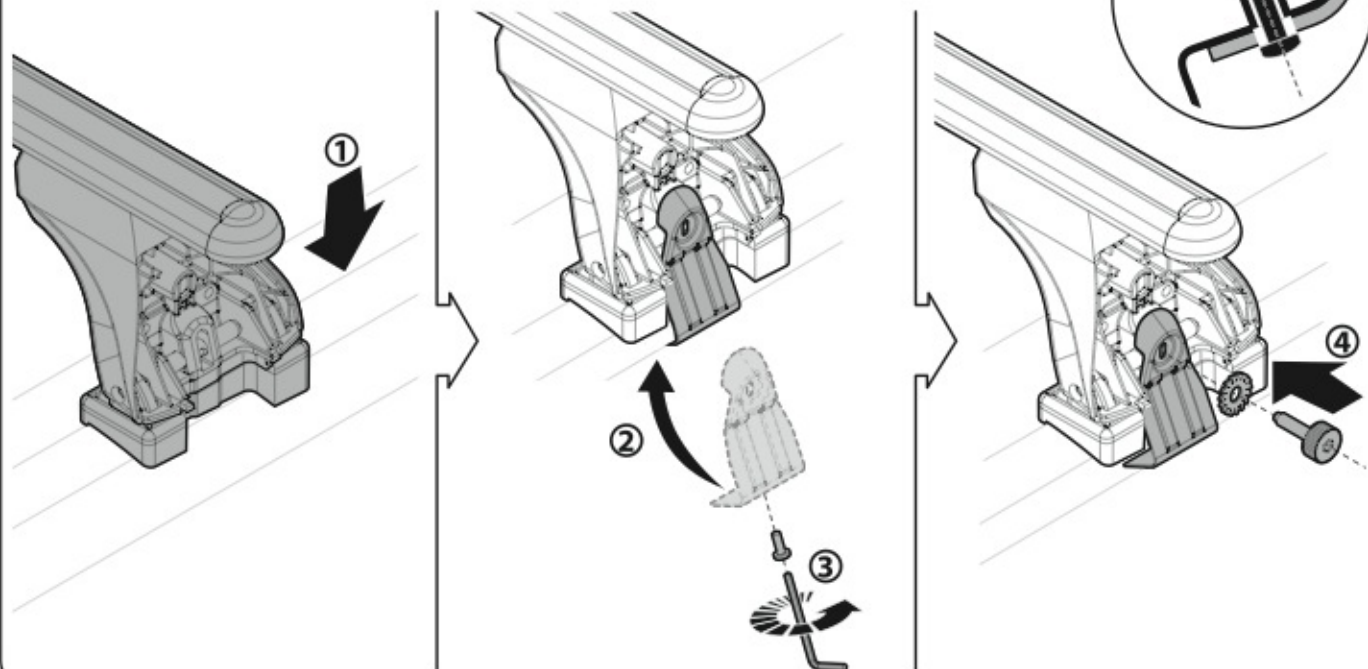
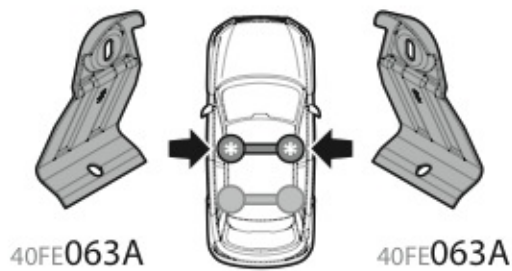
NISSAN
MICRA

5

63,5cm
27,5cm 36cm



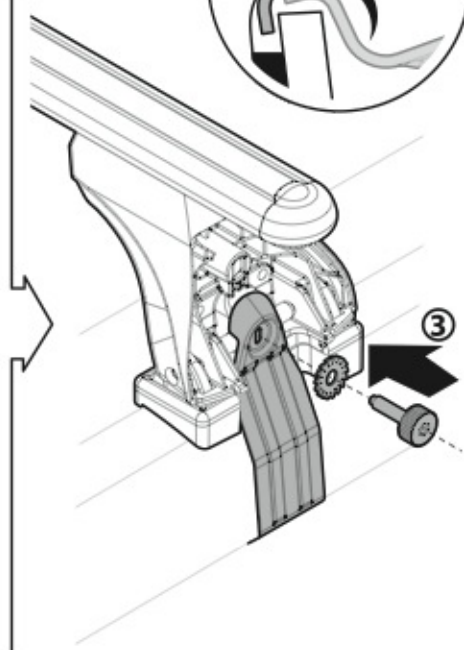
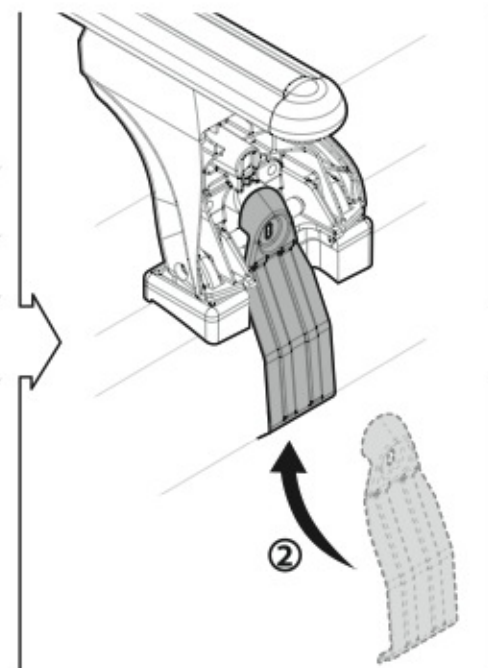
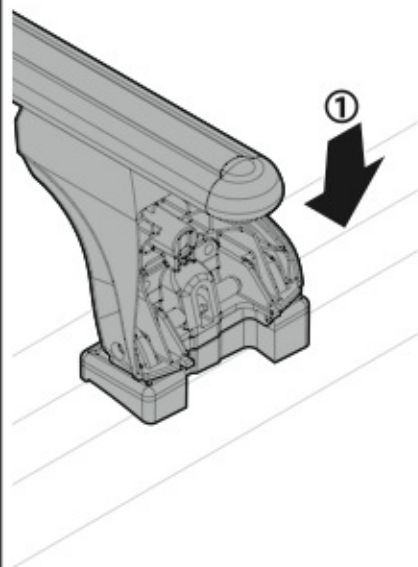
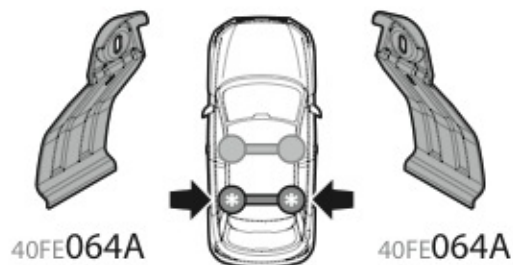
13



14A

NISSAN
MICRA

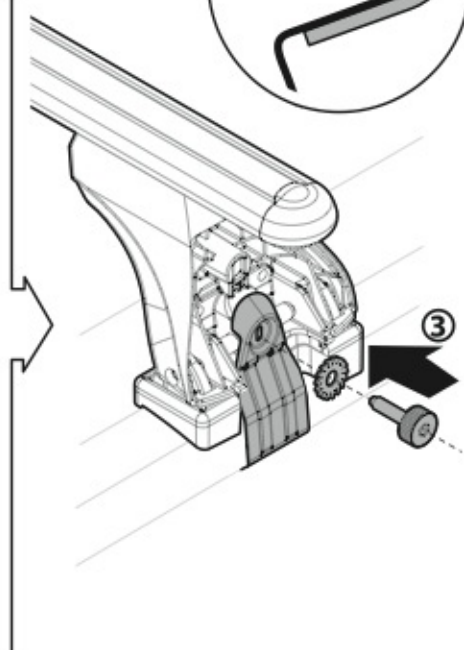
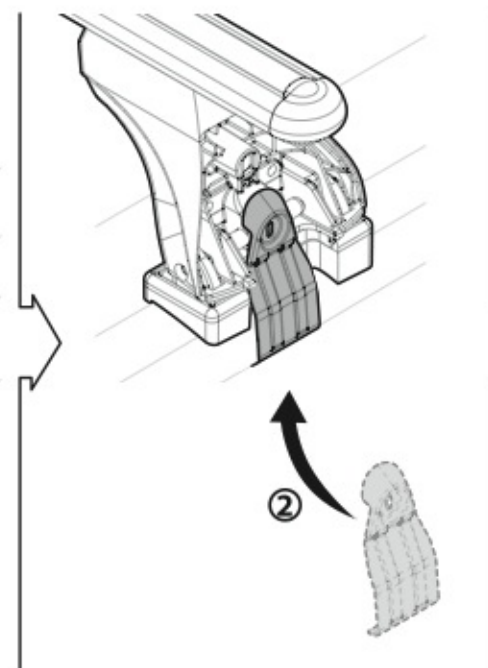
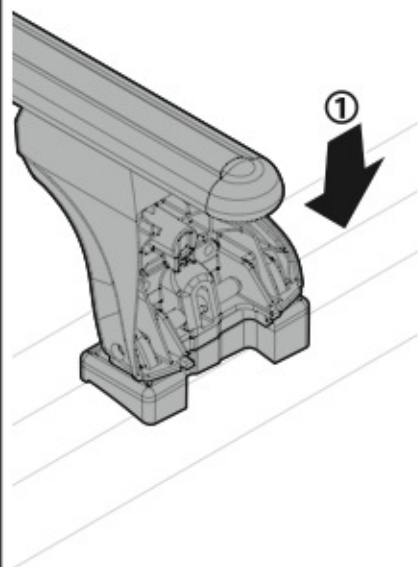
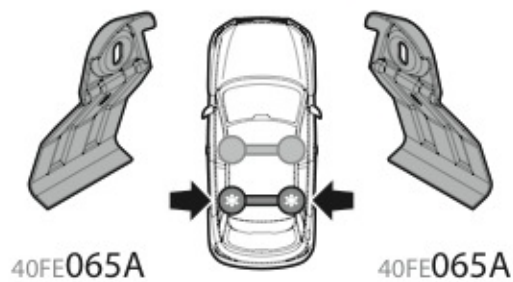
3



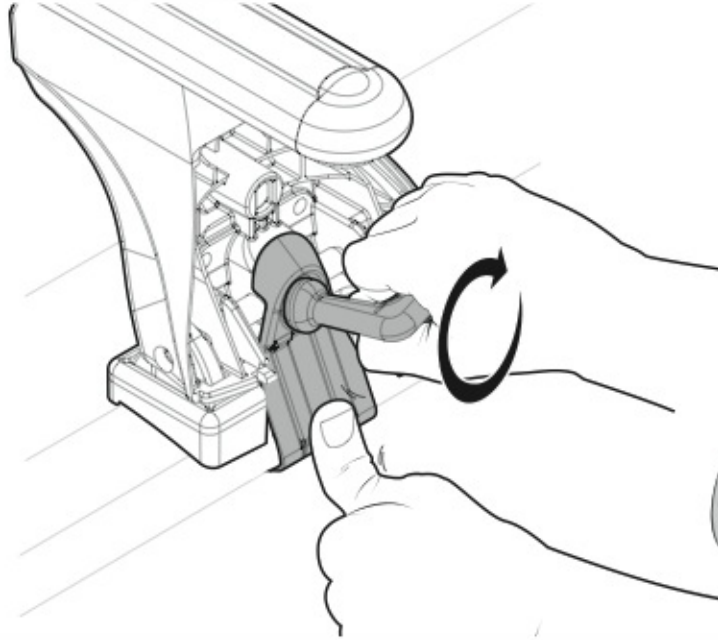
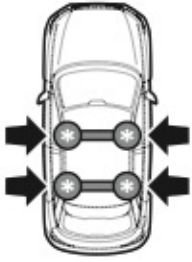
14B

NISSAN
MICRA

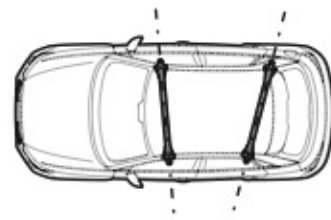
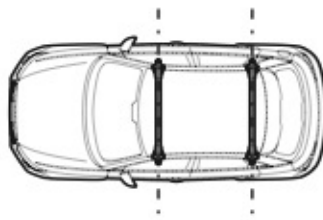
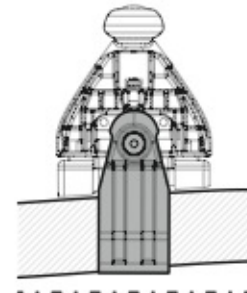
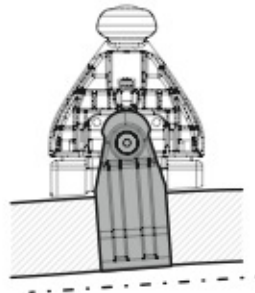
5



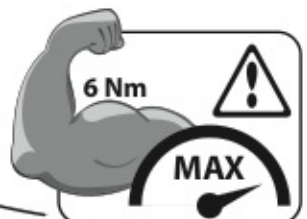
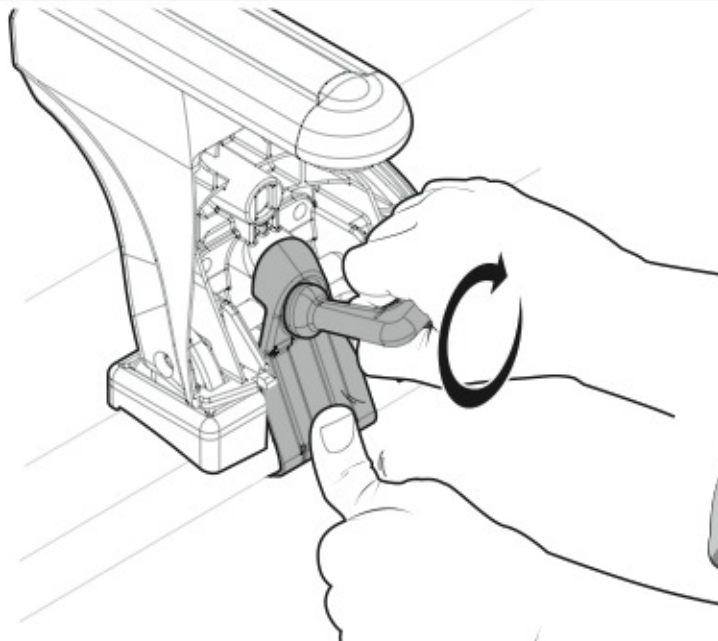
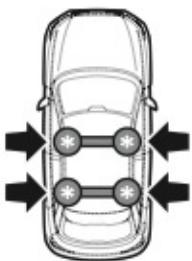
15



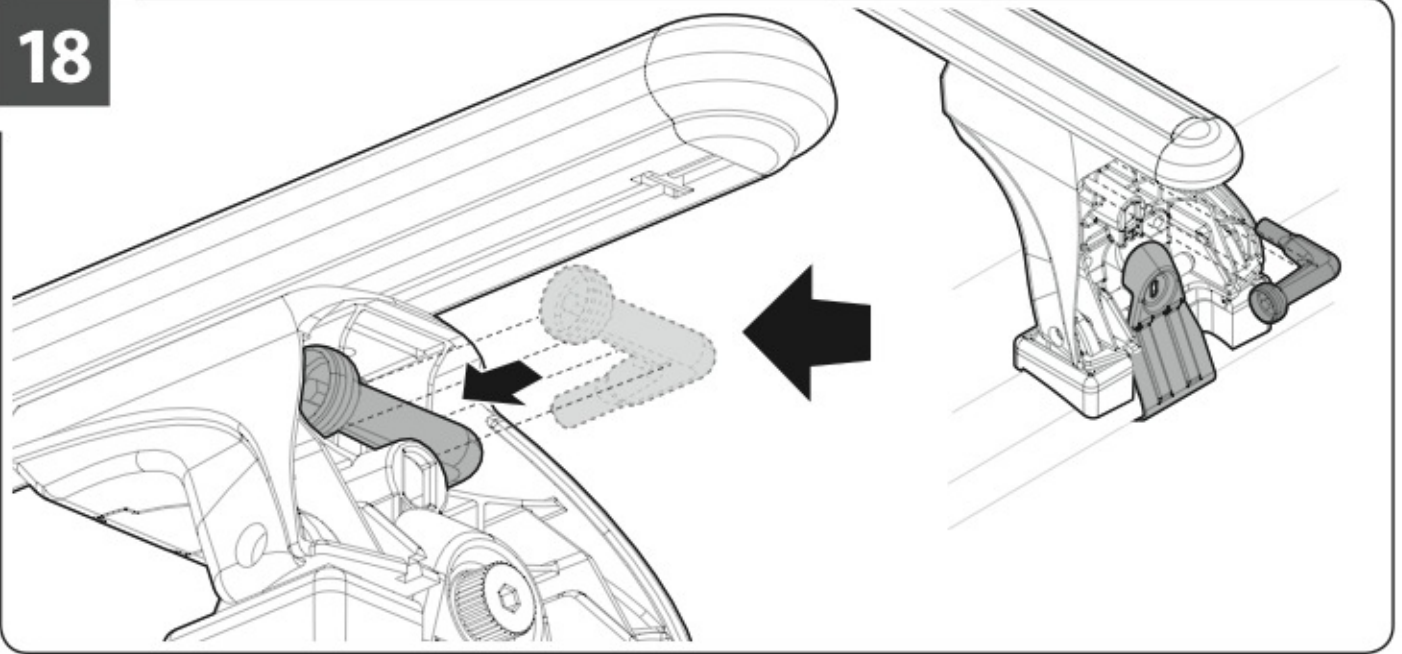
16



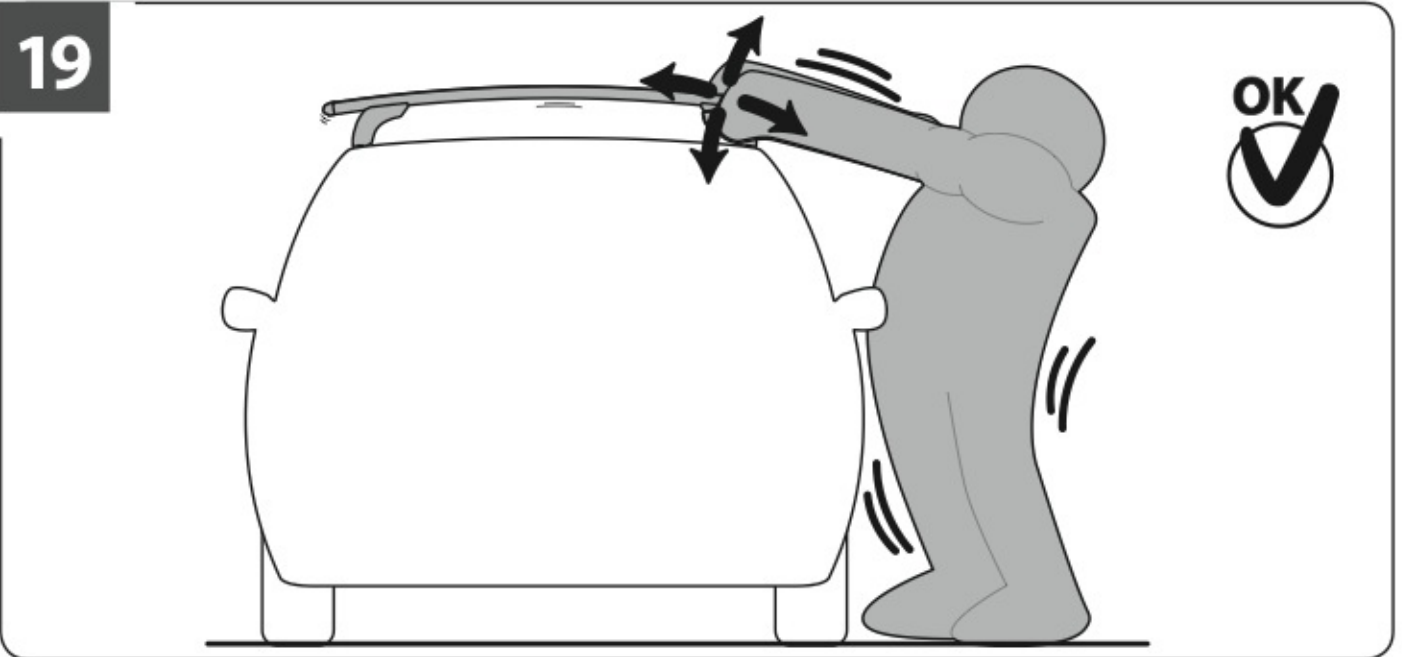
17



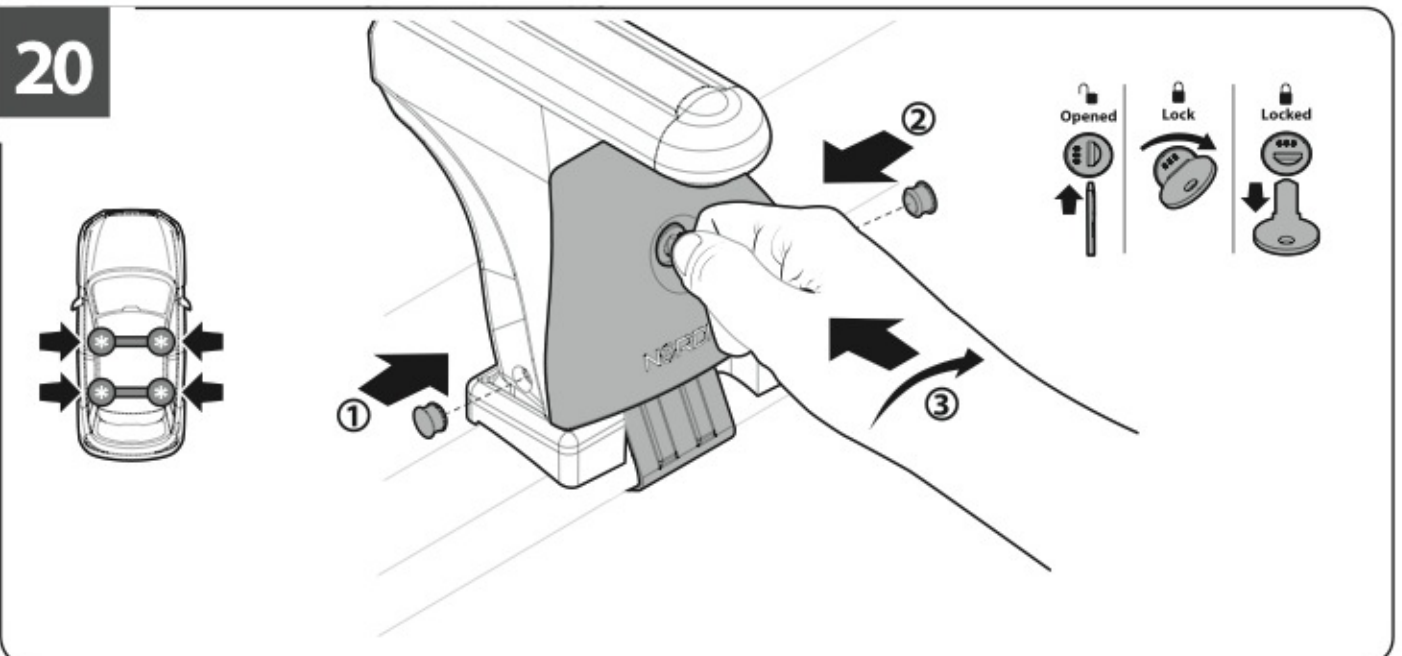
18



19



20



EVOS

NORDRIVE[®]
TRANSPORT SOLUTIONS

is a registered trade mark of

LAMPA S.p.A.

Via G. Rossa 53/55, 46019 Viadana (MN) ITALY

Tel. +39 0375 820700

UNI EN ISO 9001:2008 Certified Company

www.nordrive.it

www.lampa.it