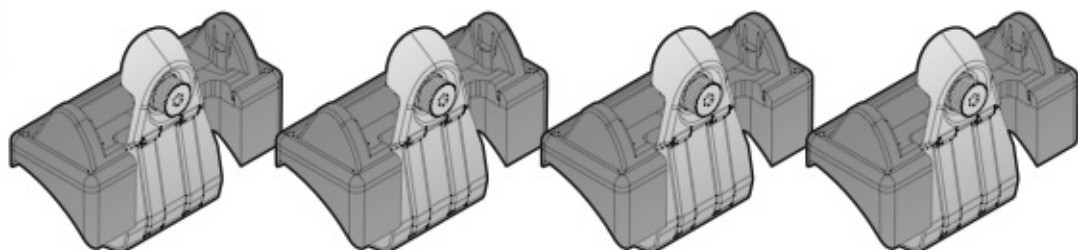


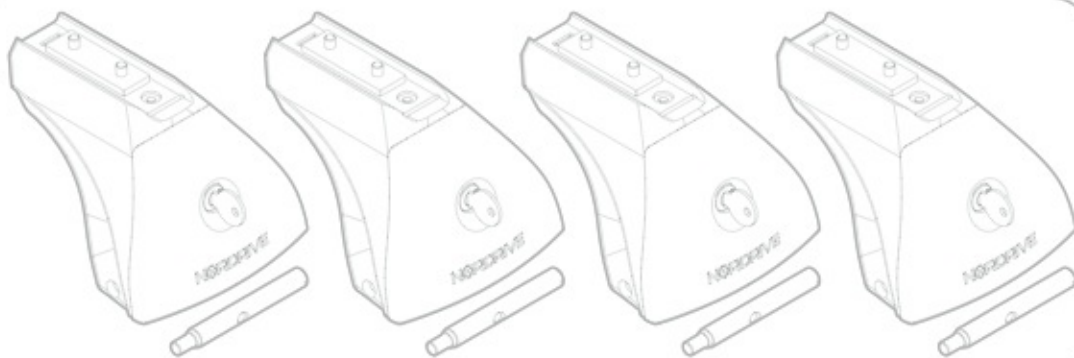
Art.  
**N21024**



**C**

+

Art. **N20001**



**B**

+

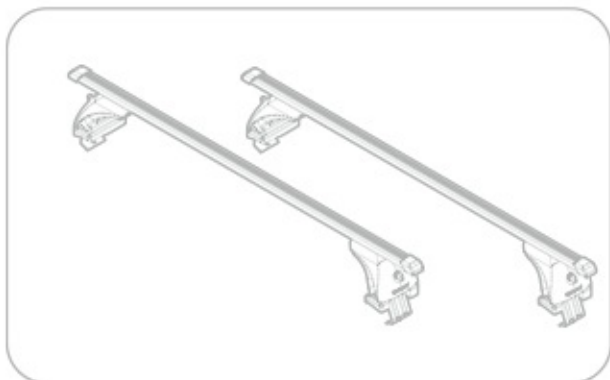
Art. **N15020**



**A**

**ACCIAIO  
Steel**

=



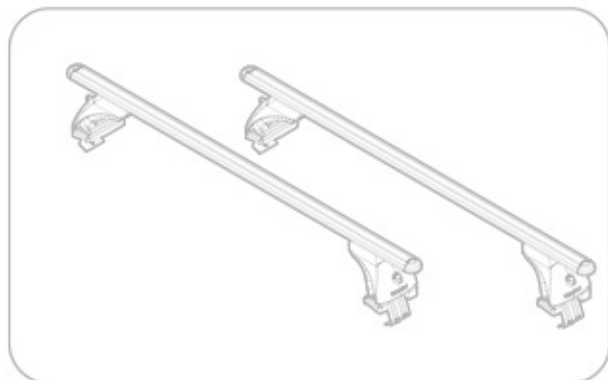
Art. **N15025**






**A**

**ALLUMINIO  
Aluminium**

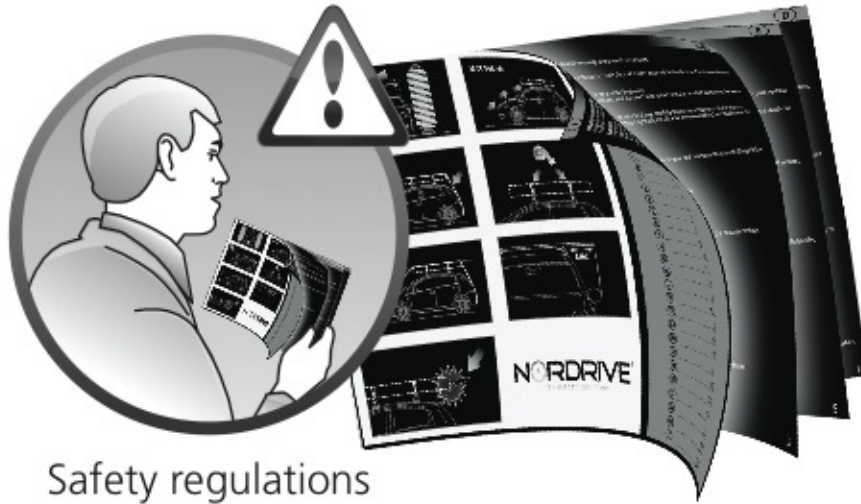
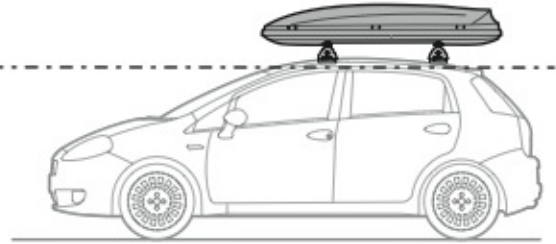
=



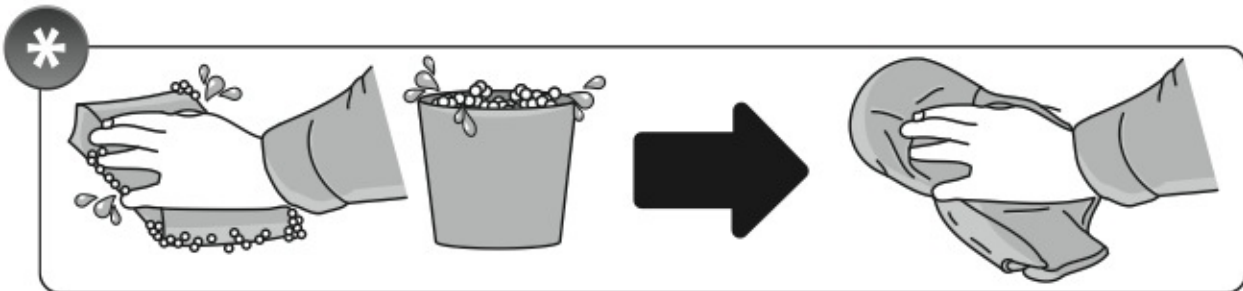
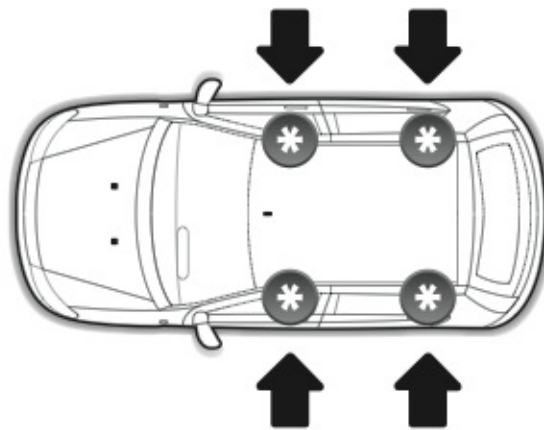
 +  +  = max: **60kg**  
5,5kg



max: **???**kg



Safety regulations

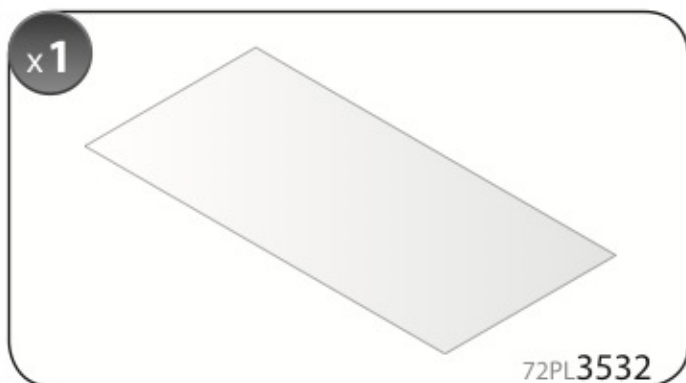
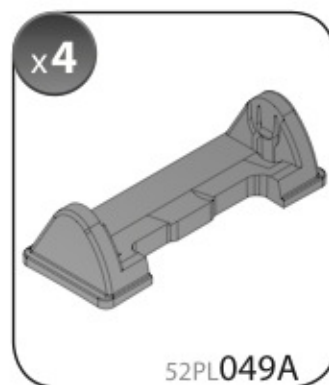
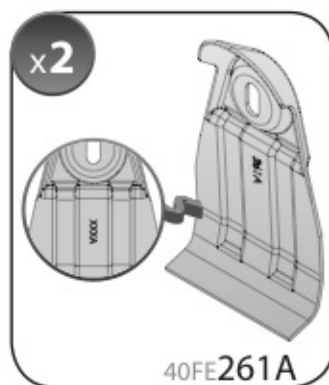
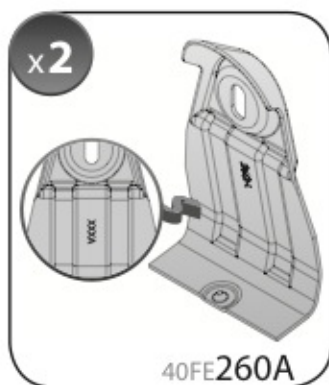
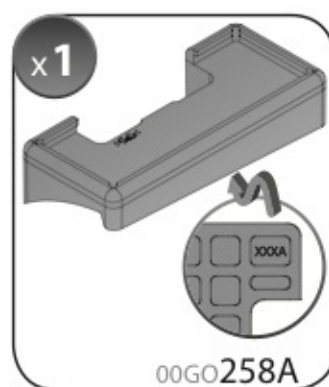
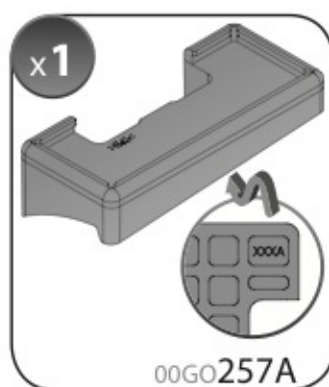
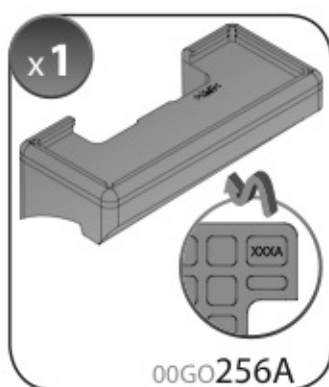
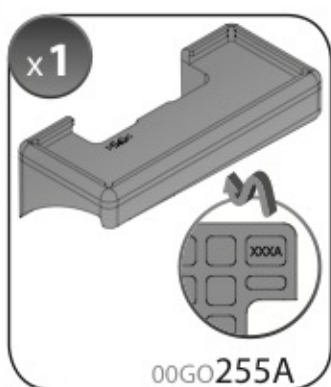


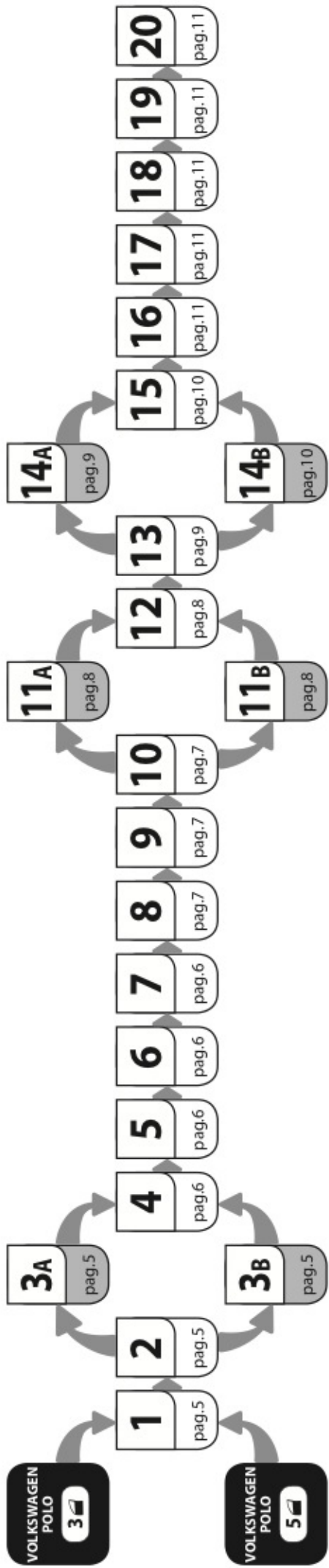


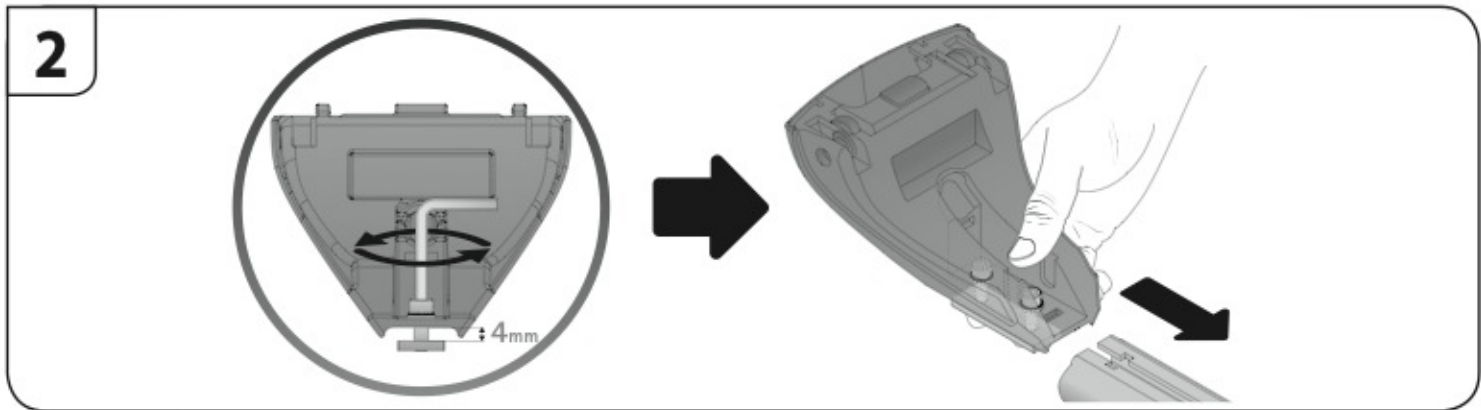
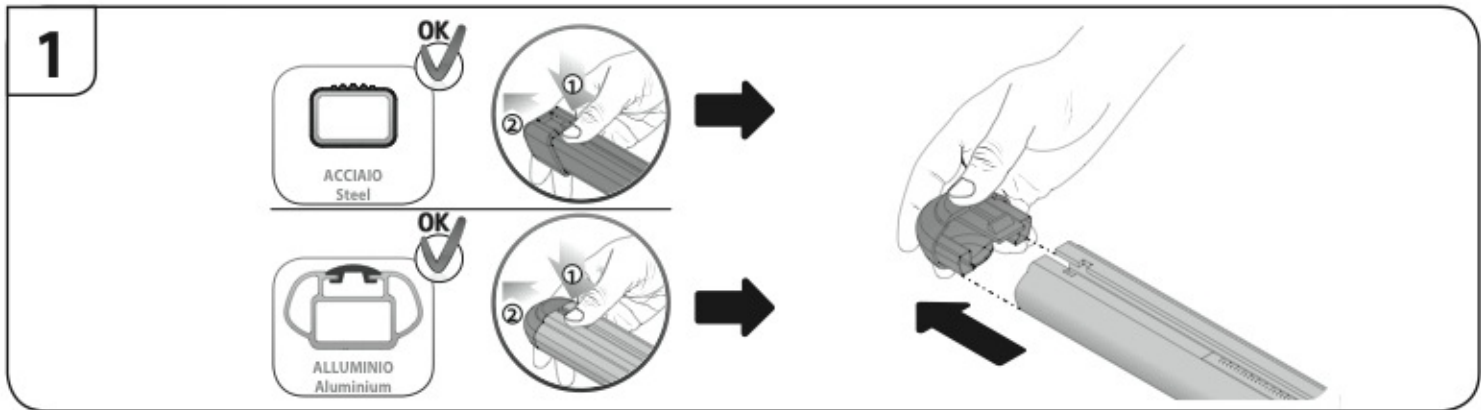
**VOLKSWAGEN  
POLO**

 11/01→8/09

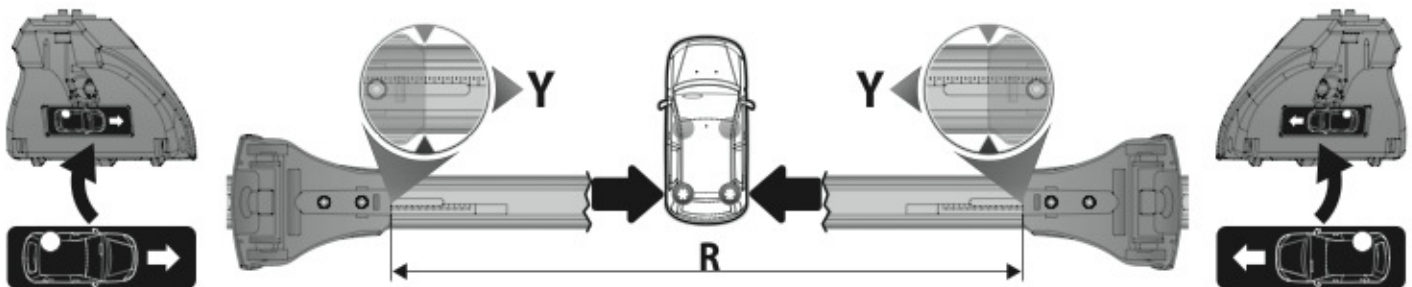
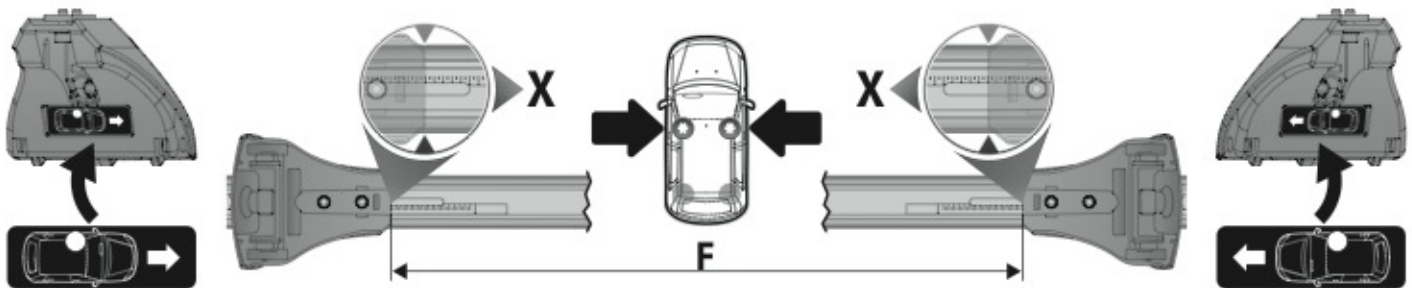
Art. **N21024**



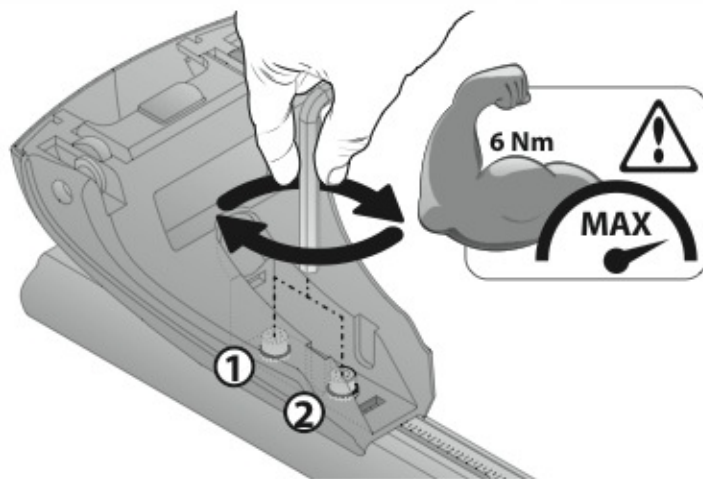




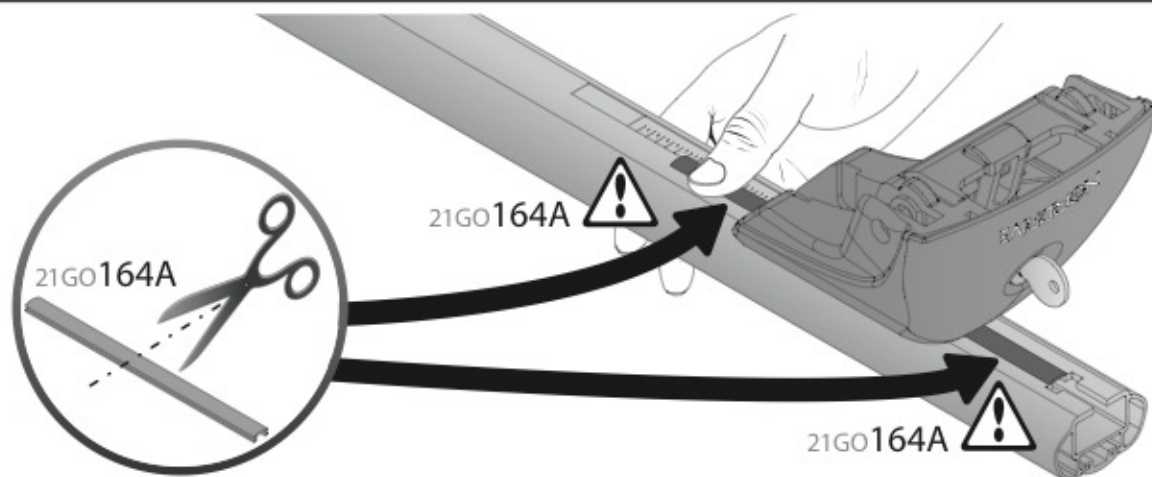
<b>3A</b>	<b>VOLKSWAGEN POLO</b>	<b>3</b>		11/01 → 8/09	<b>22,5</b> (F= 83,5cm)	<b>20</b> (R= 81cm)
<b>3B</b>	<b>VOLKSWAGEN POLO</b>	<b>5</b>		11/01 → 8/09	<b>22,5</b> (F= 83,5cm)	<b>19,5</b> (R= 80,5cm)
					<b>X</b>	<b>Y</b>



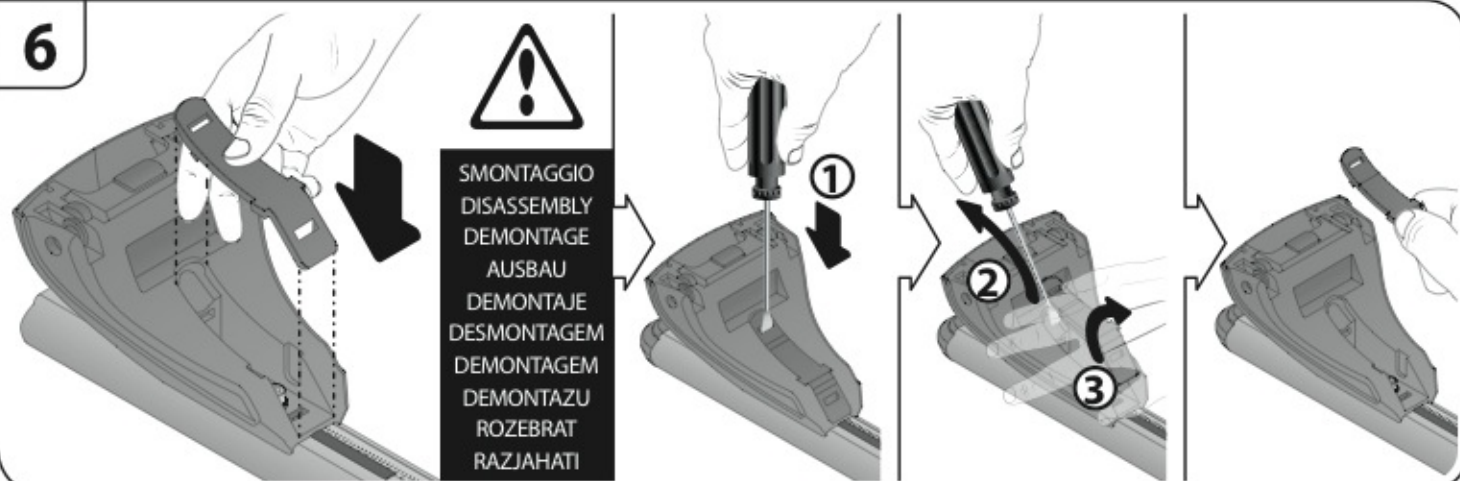
4



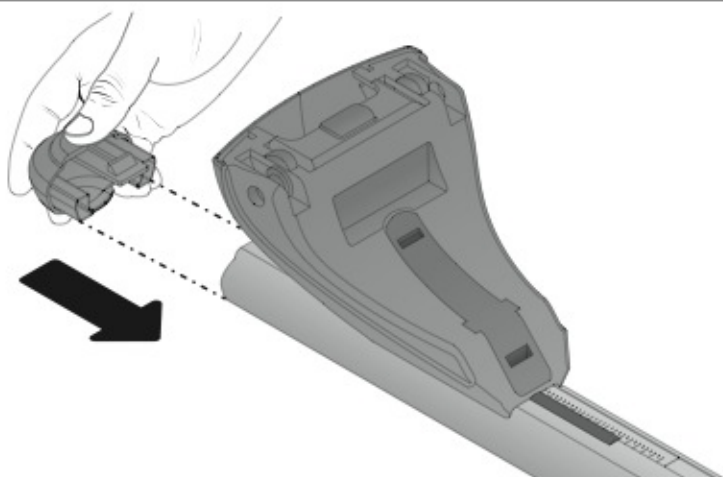
5

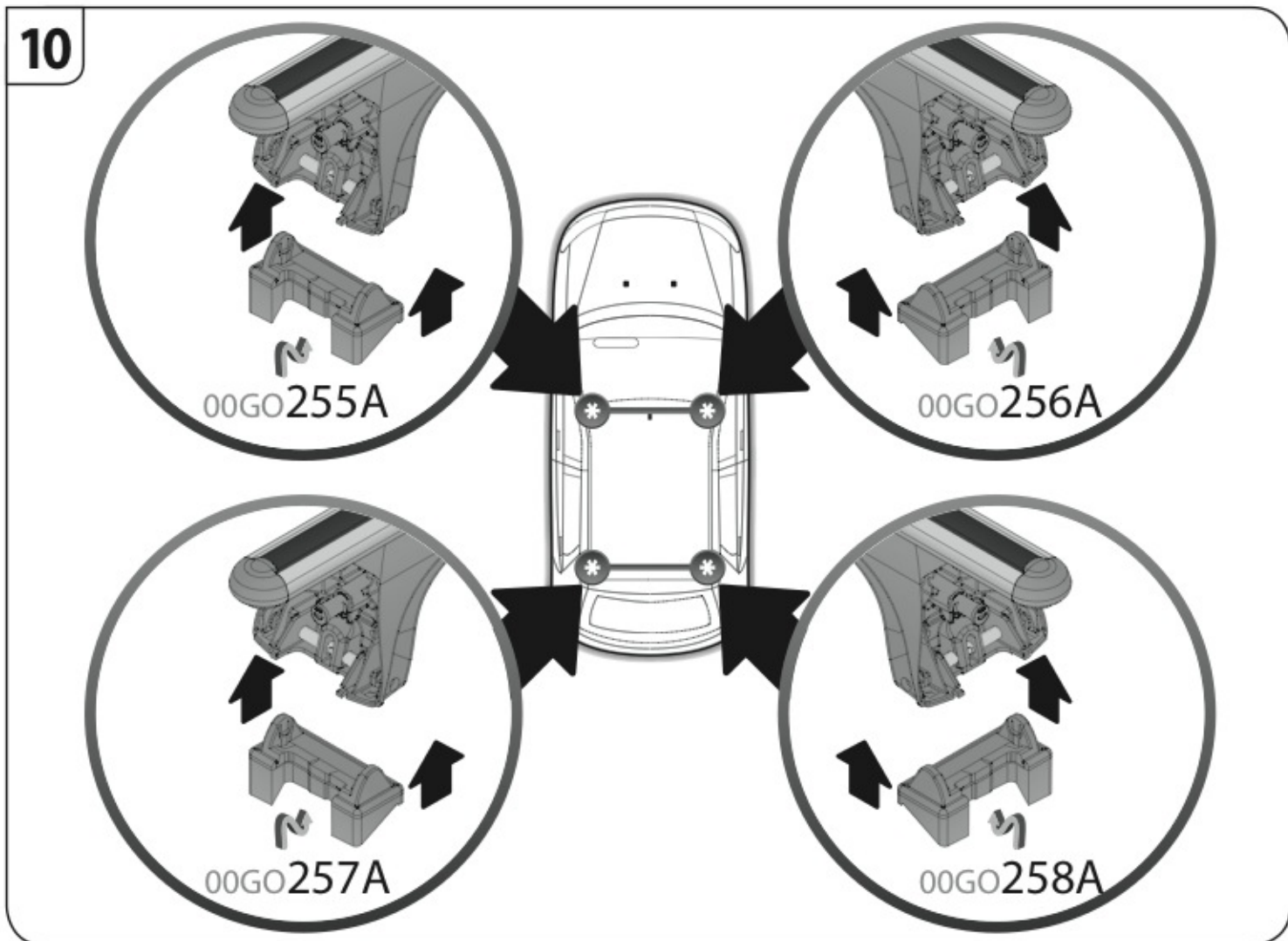
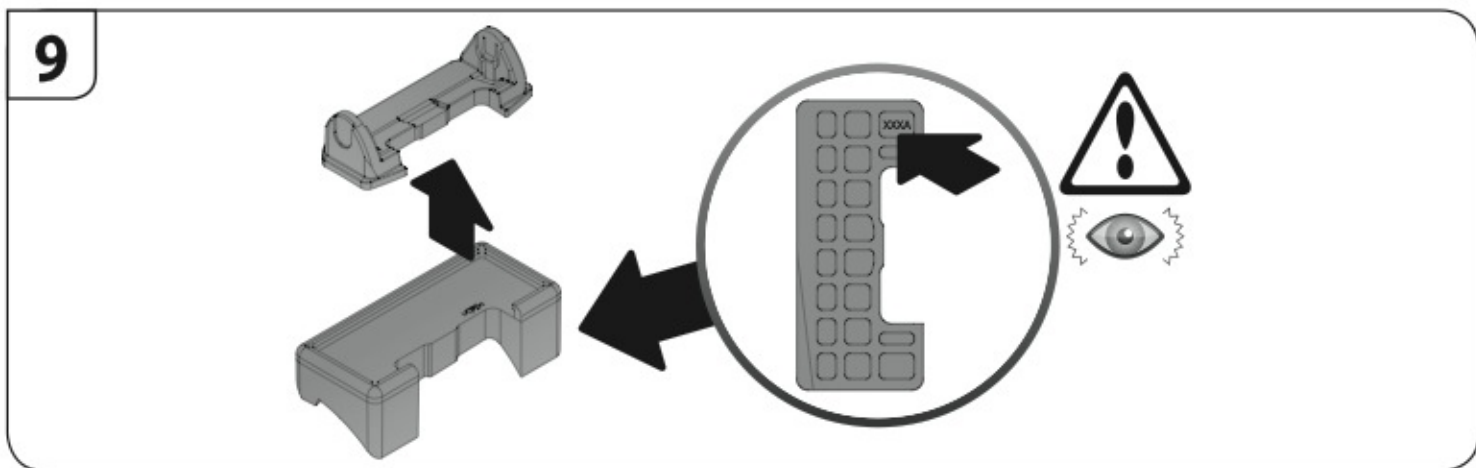
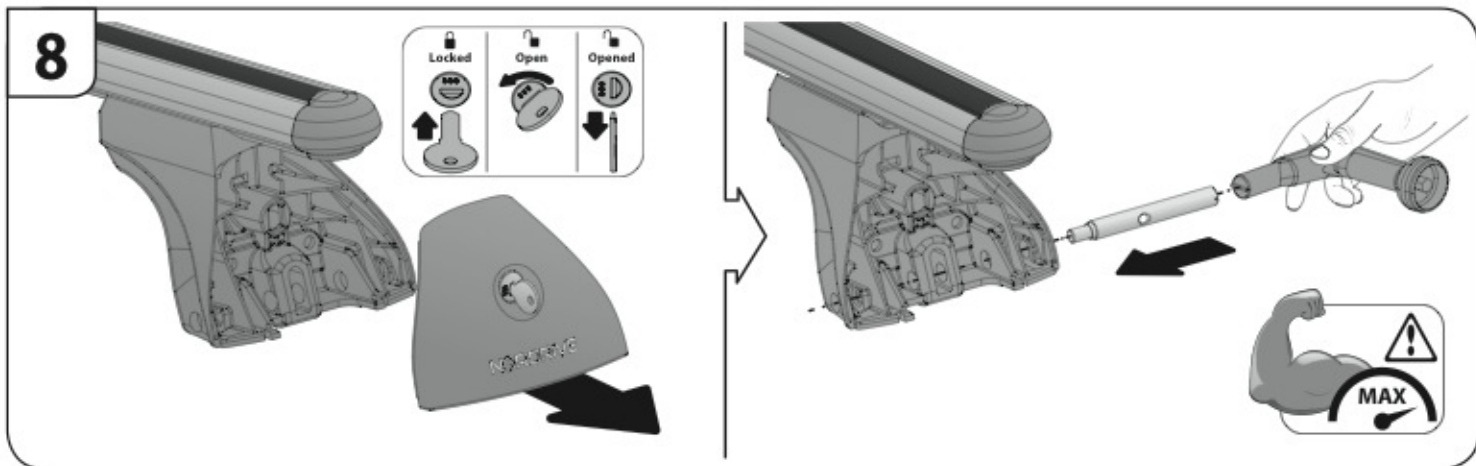


6



7

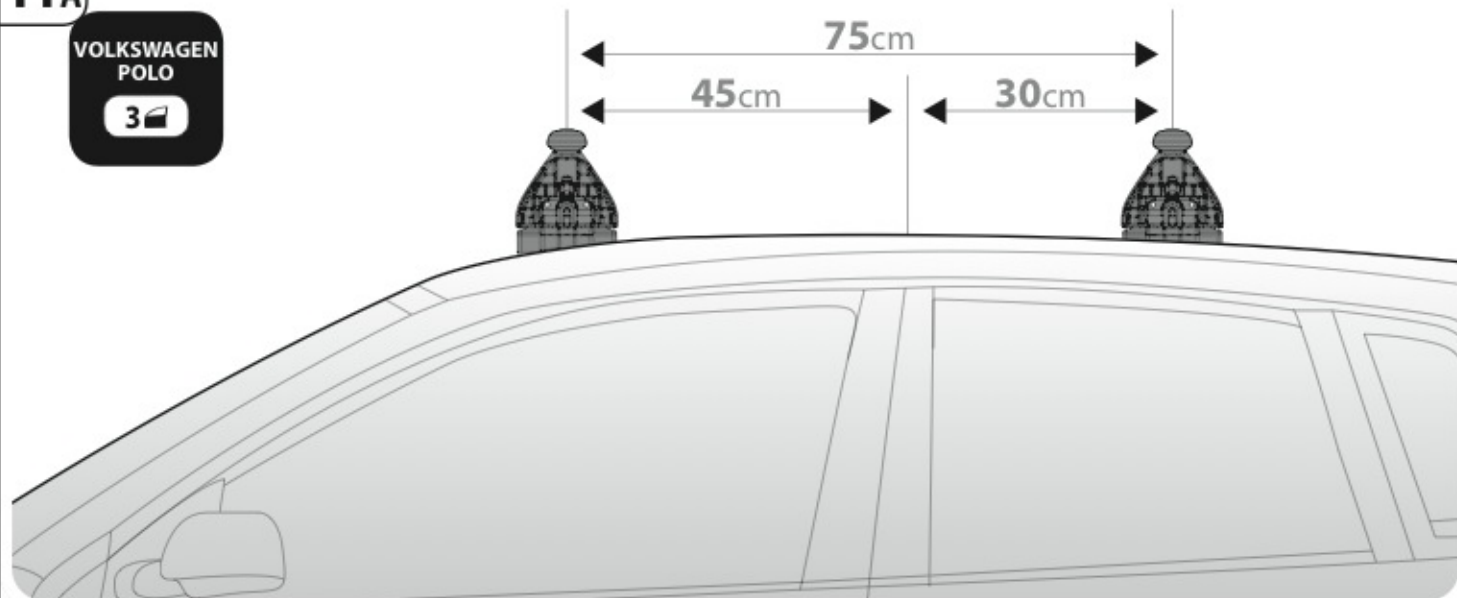




**11A**

VOLKSWAGEN  
POLO

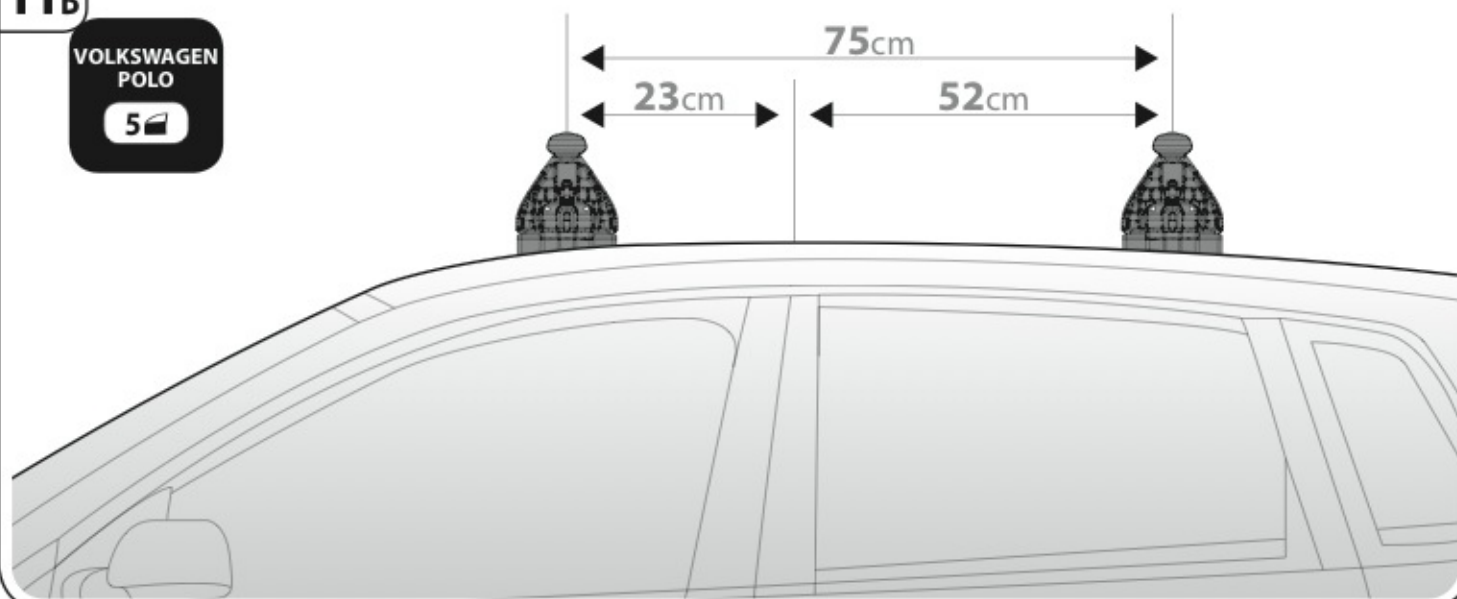
3



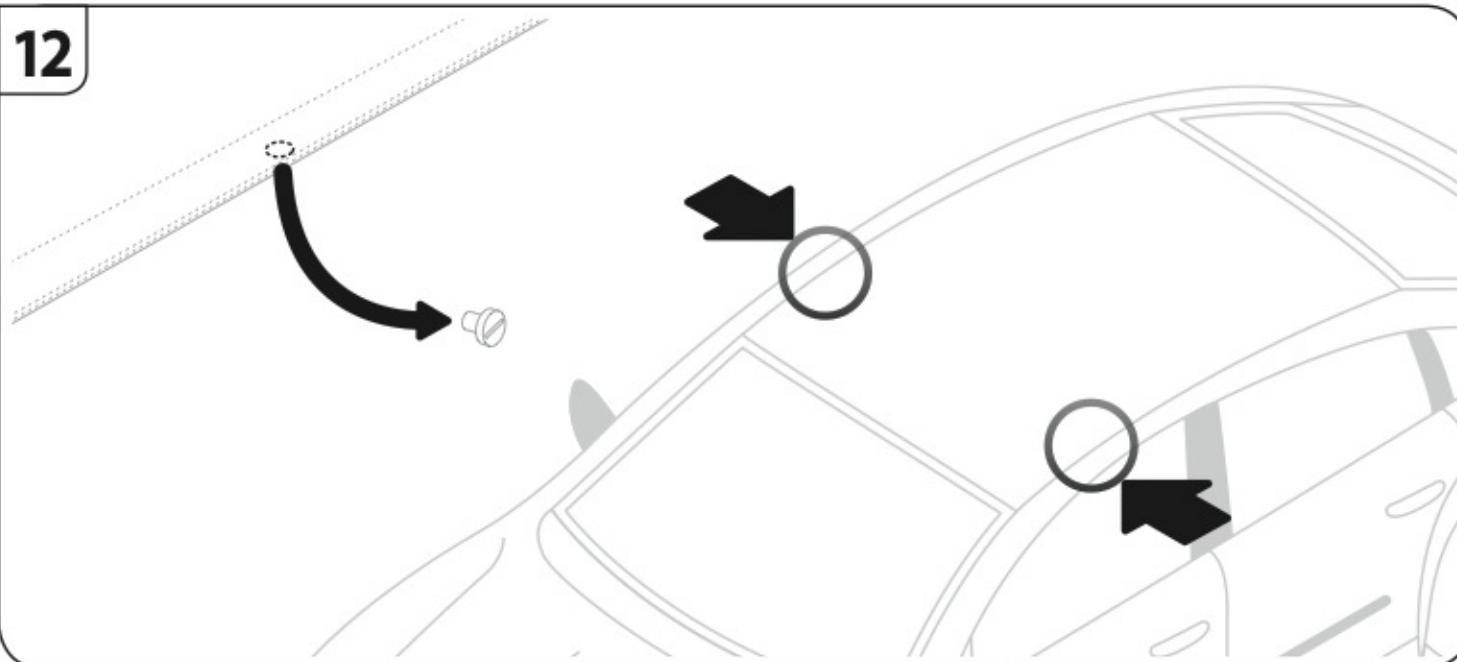
**11B**

VOLKSWAGEN  
POLO

5

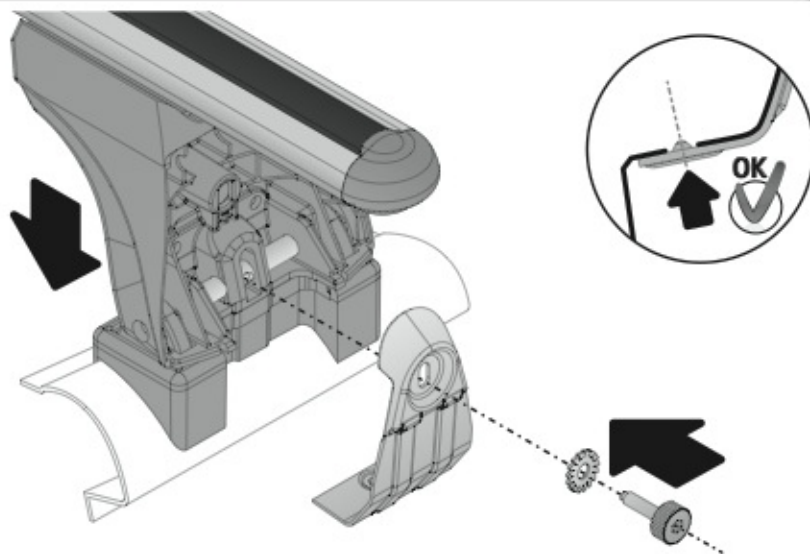
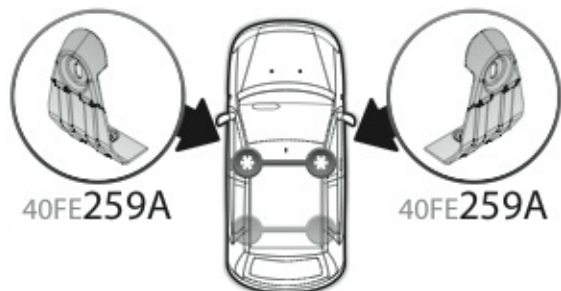


**12**



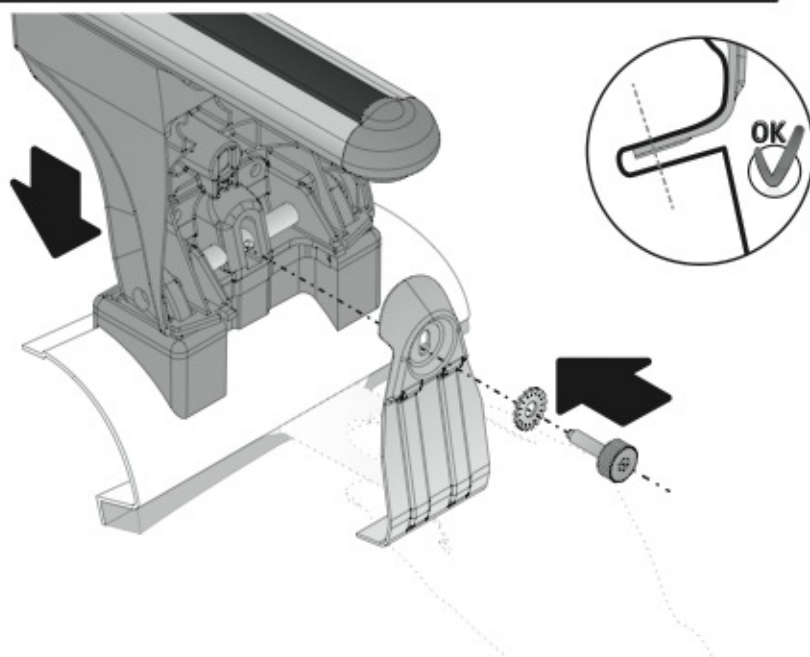
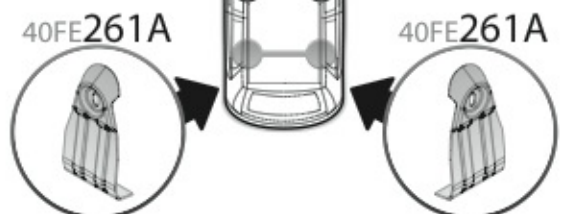
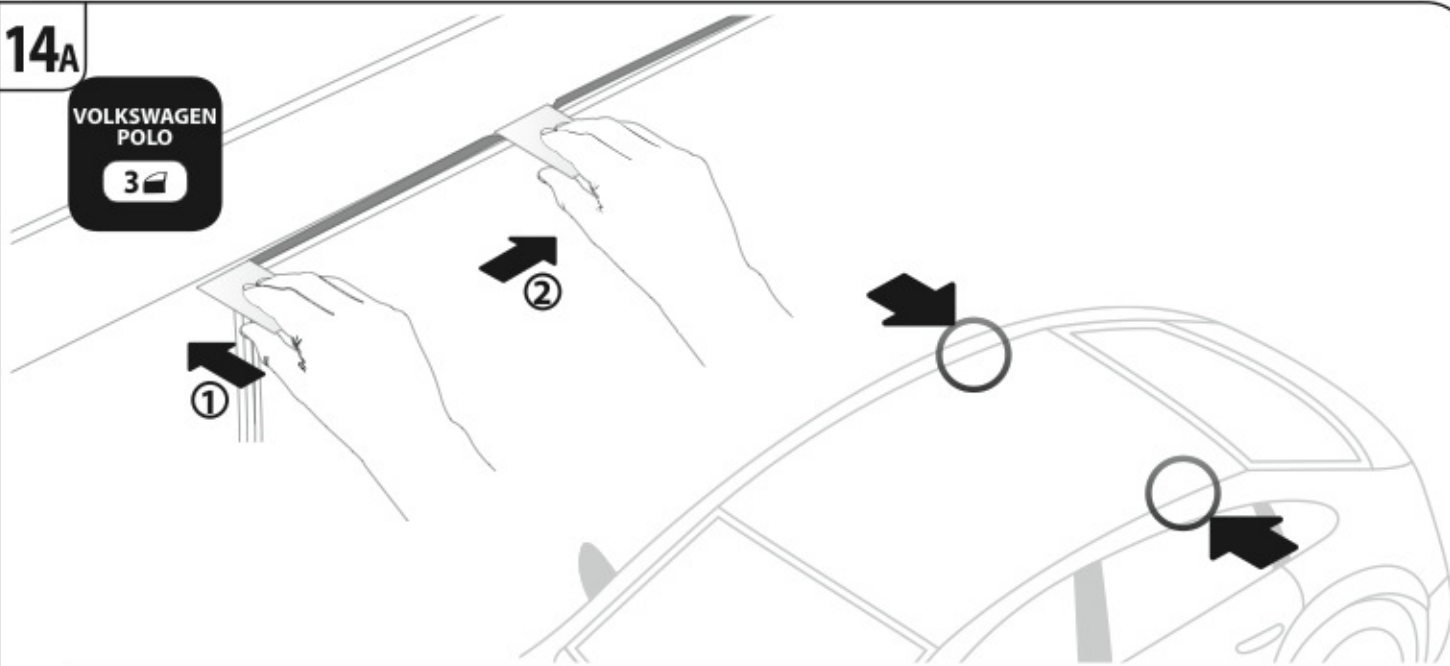


13



14A

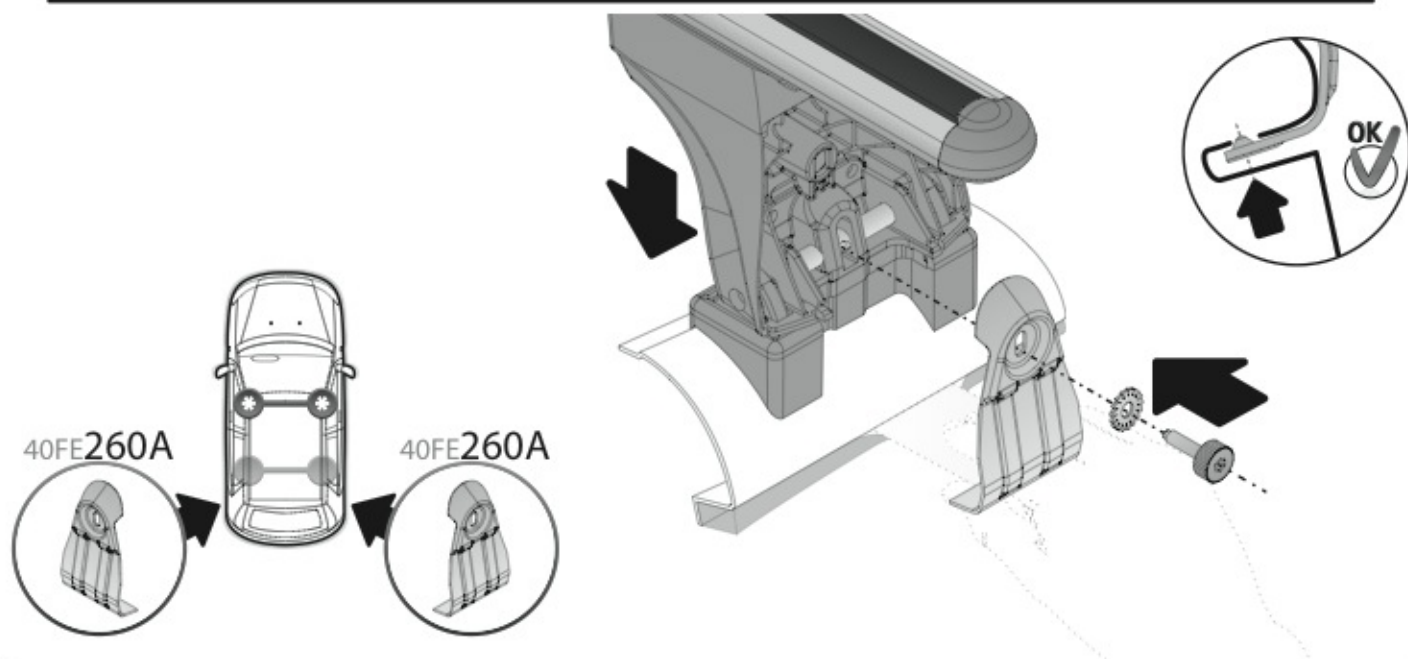
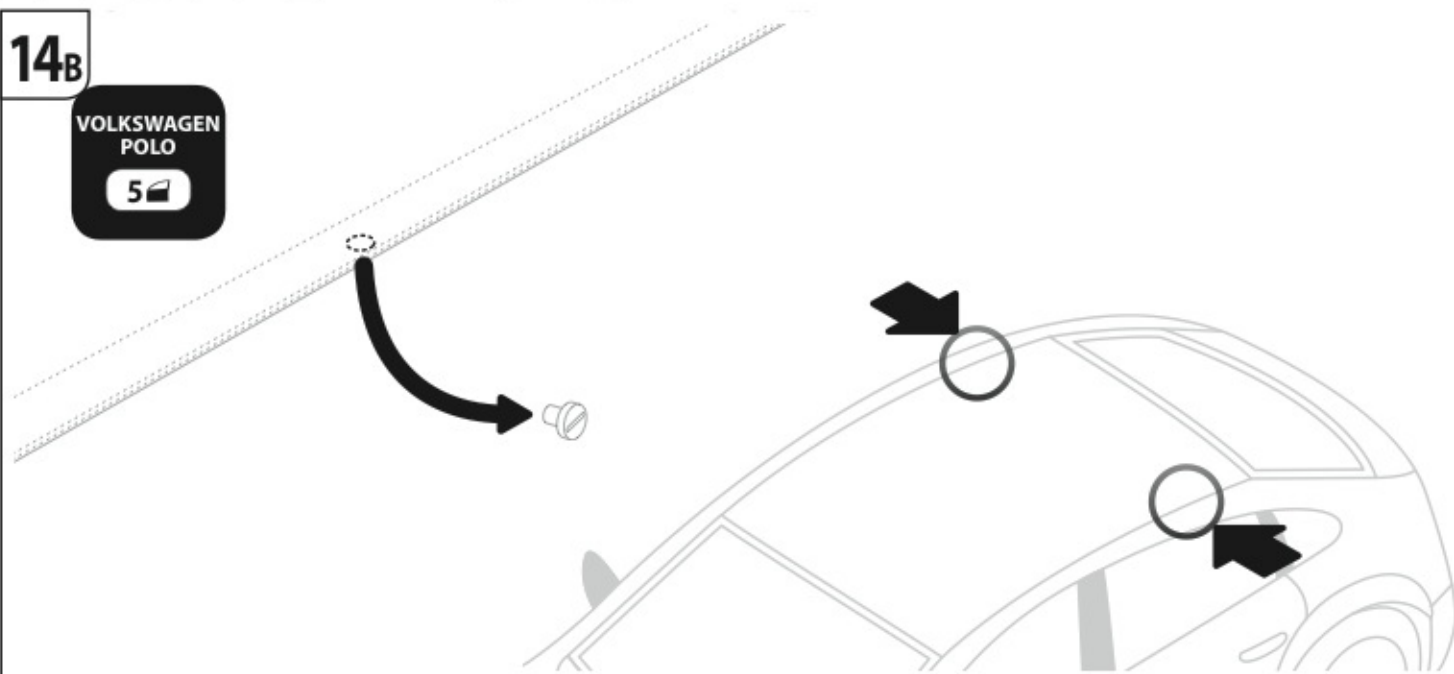
VOLKSWAGEN  
POLO  
3



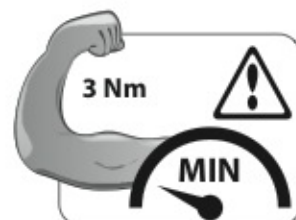
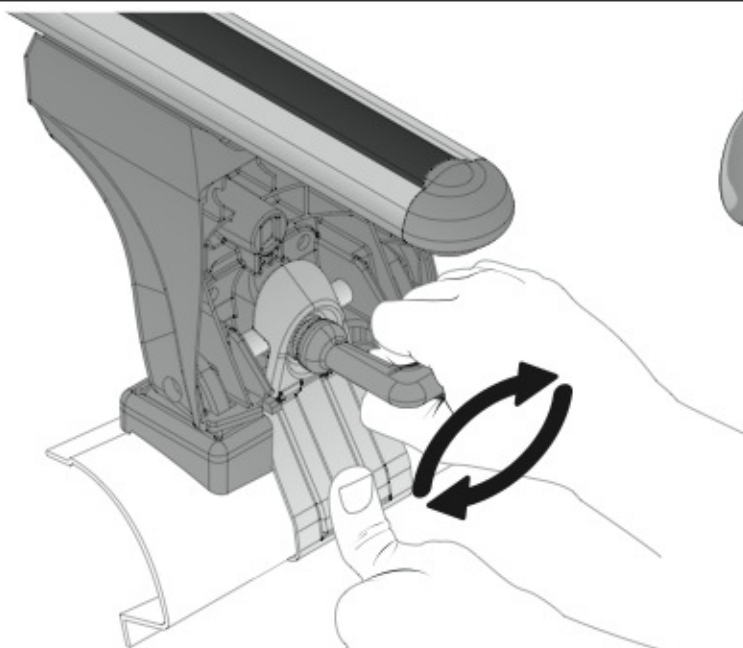
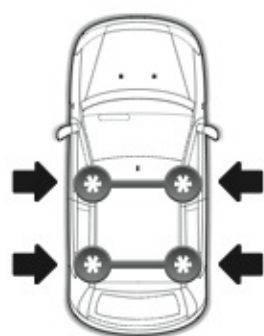
14B

VOLKSWAGEN  
POLO

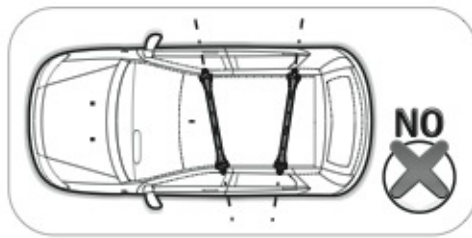
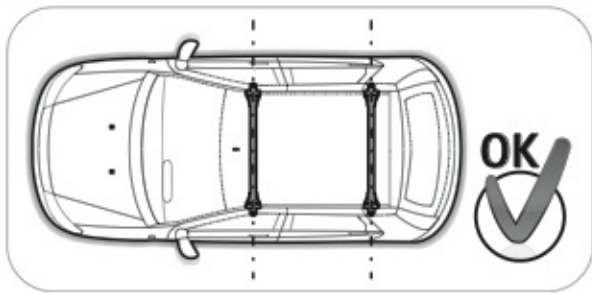
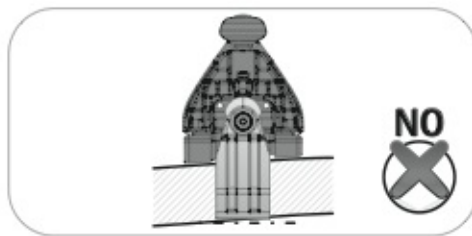
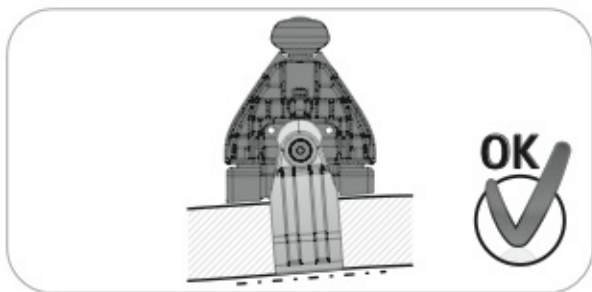
5



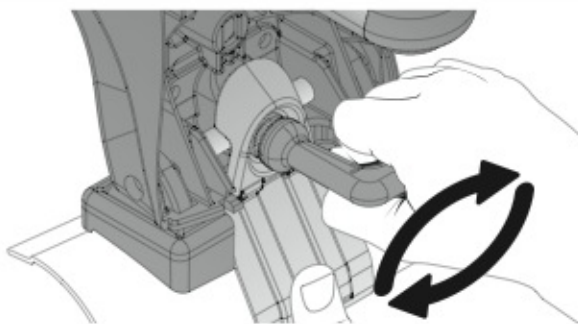
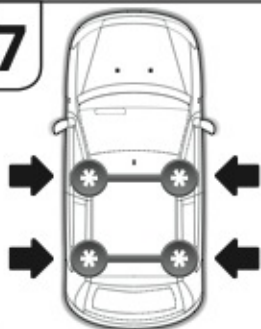
15



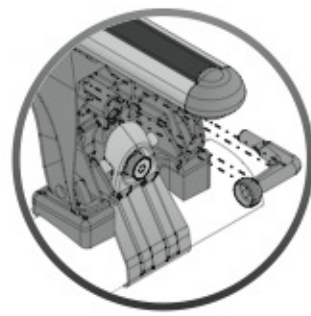
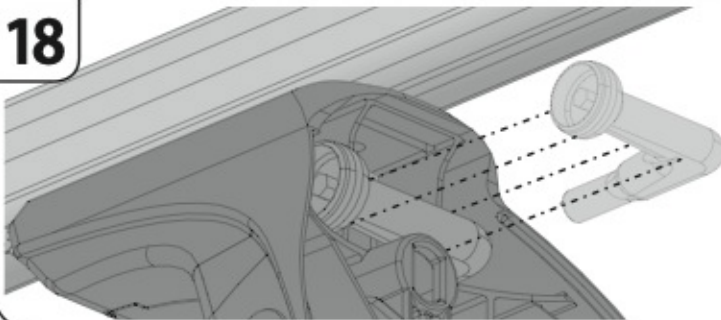
16



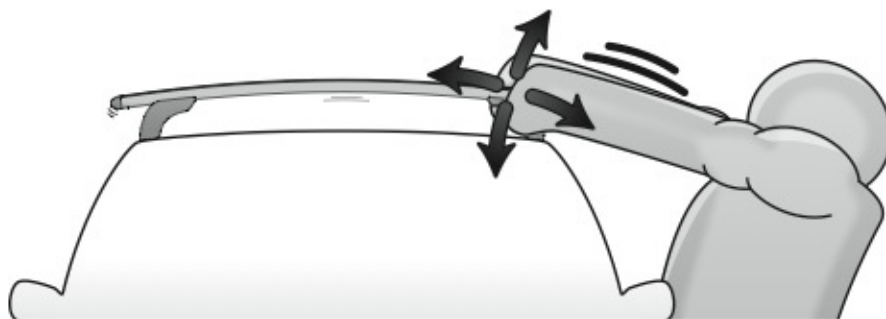
17



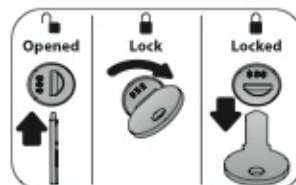
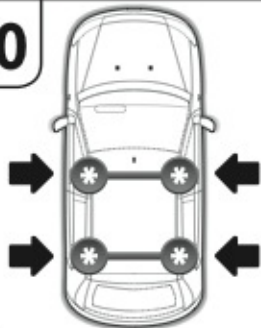
18



19



20



# EVOS

EVOLUZIONE ZERO SYSTEM

**NORDRIVE®**  
TRANSPORT SOLUTIONS

is a registered trade mark of

**LAMPA S.p.A.**

46019 Viadana (MN) ITALY

Ditta certificata UNI EN ISO 9001:2008

[www.nordrive.it](http://www.nordrive.it)

[www.lampa.it](http://www.lampa.it)