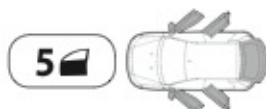
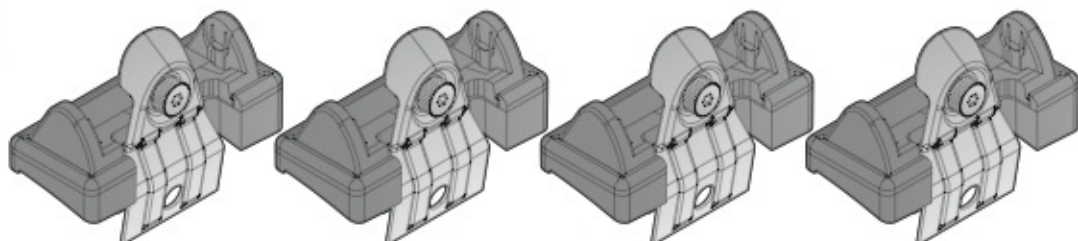


BMW X5
(no railing)



5/00 → 2/07

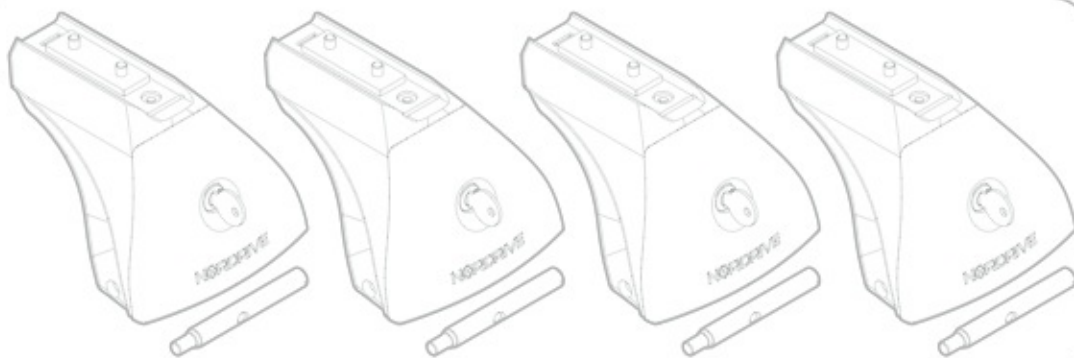
Art.
N21034



C



Art. **N20001**



B

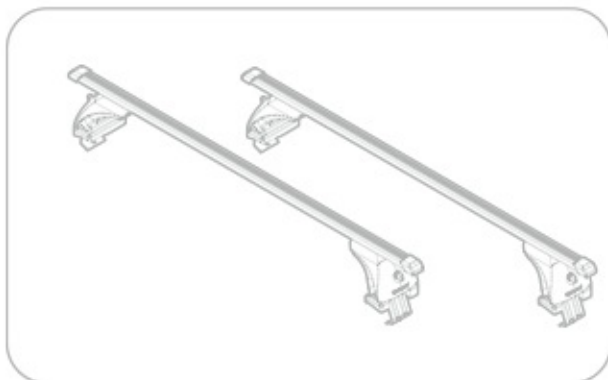


Art. **N15021**



A

ACCIAIO
Steel

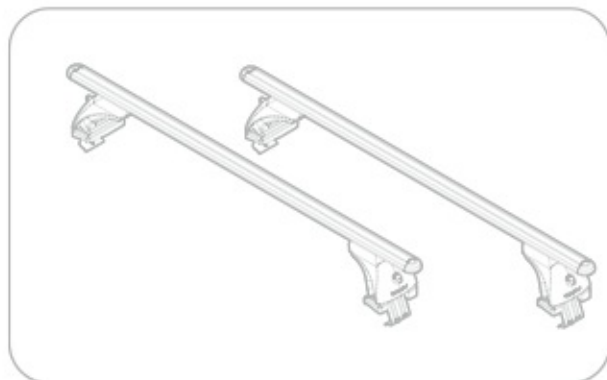





Art. **N15026**



A

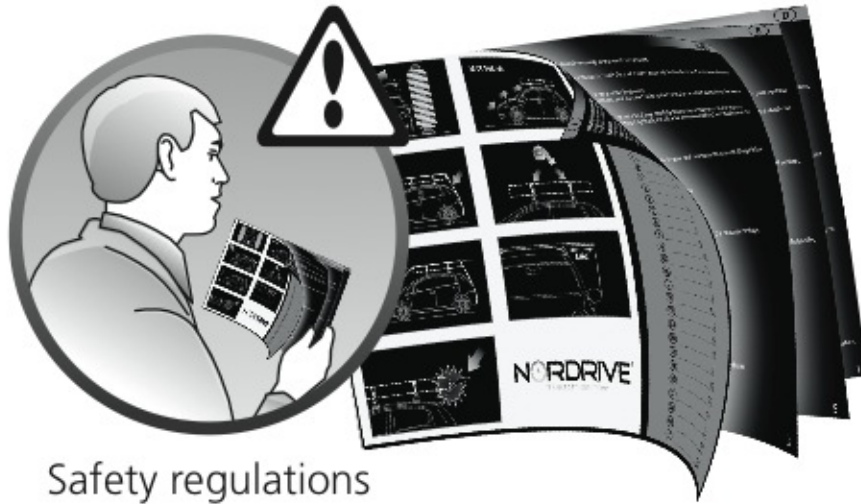
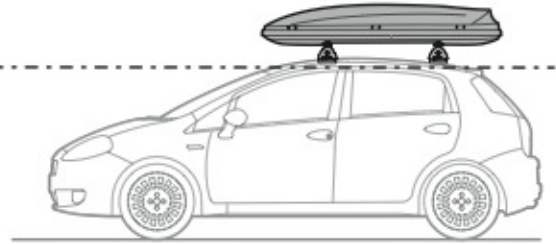
ALLUMINIO
Aluminium



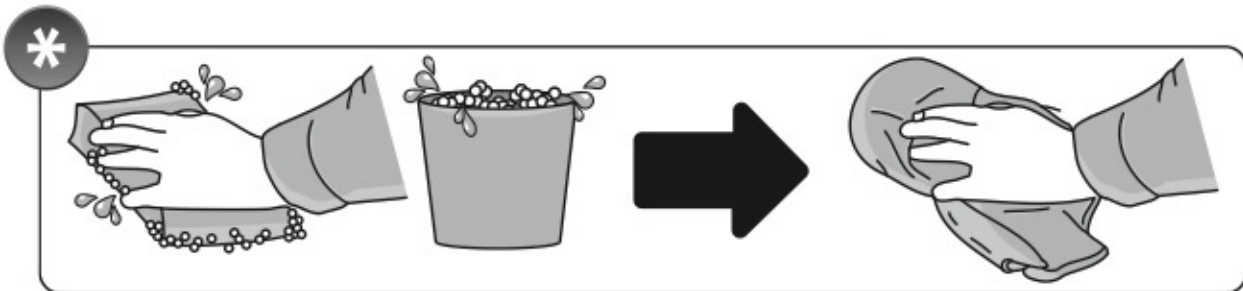
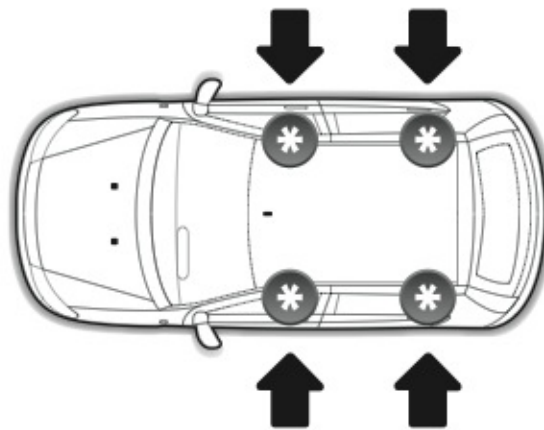
 +  +  = max: **60kg**
5,5kg



max: **???**kg



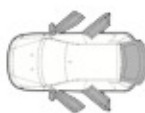
Safety regulations





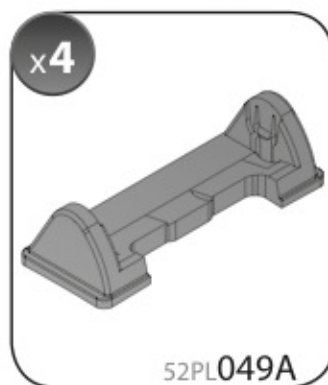
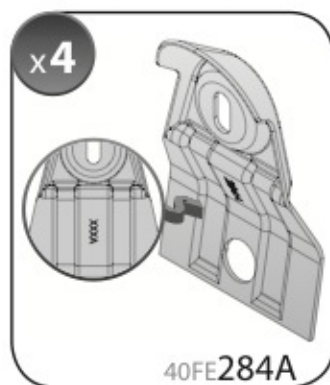
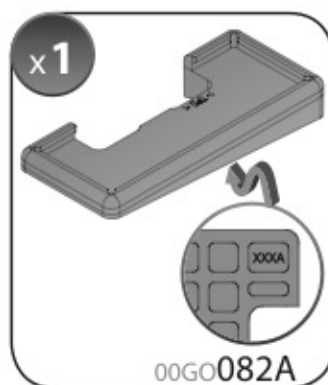
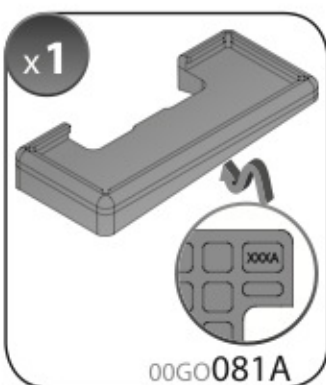
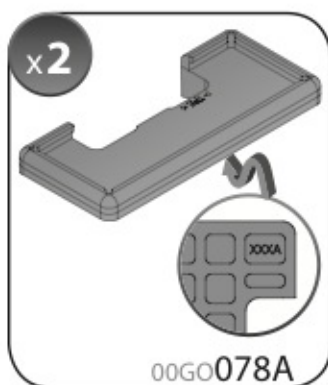
BMW X5
(no railing)

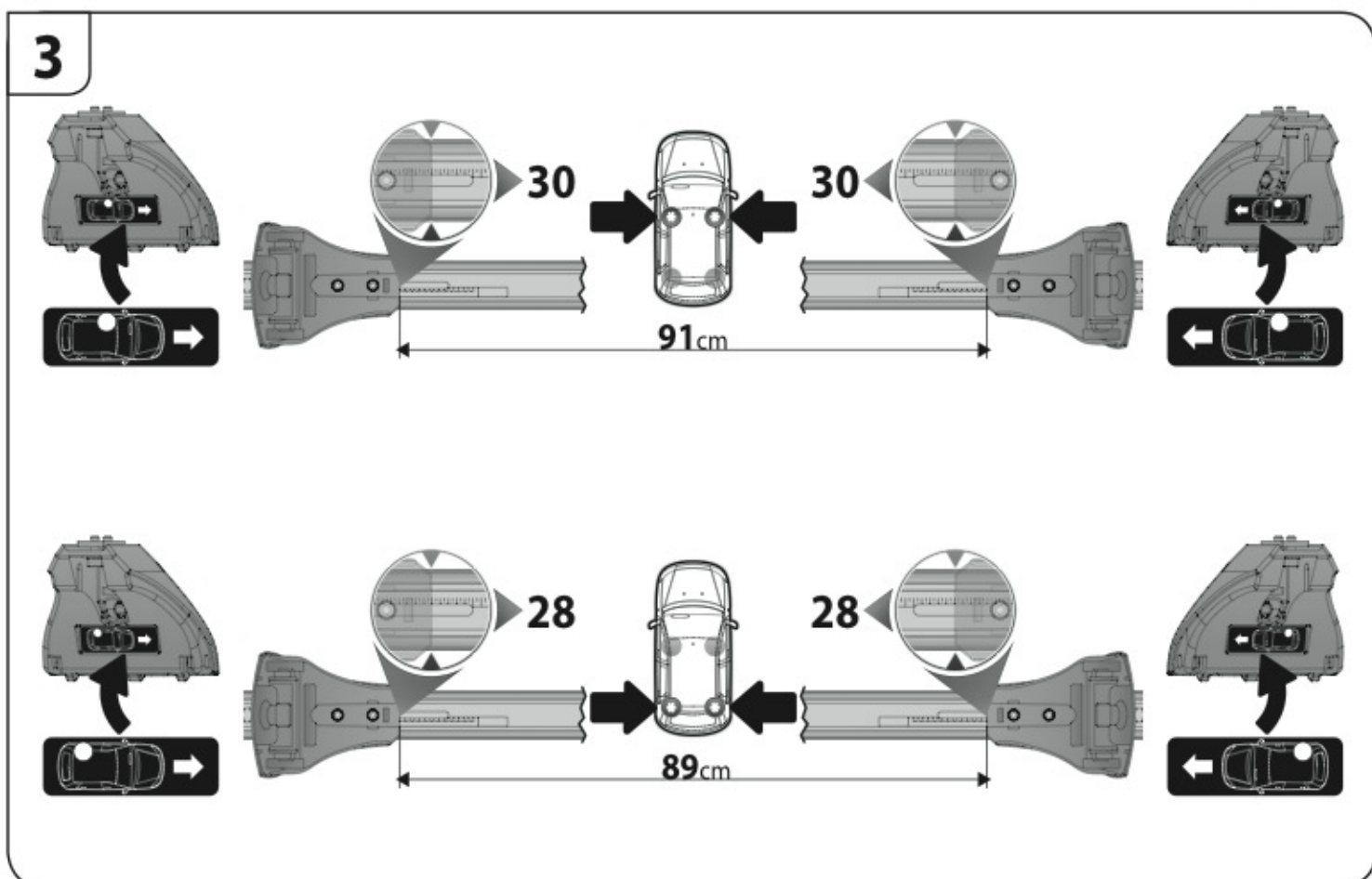
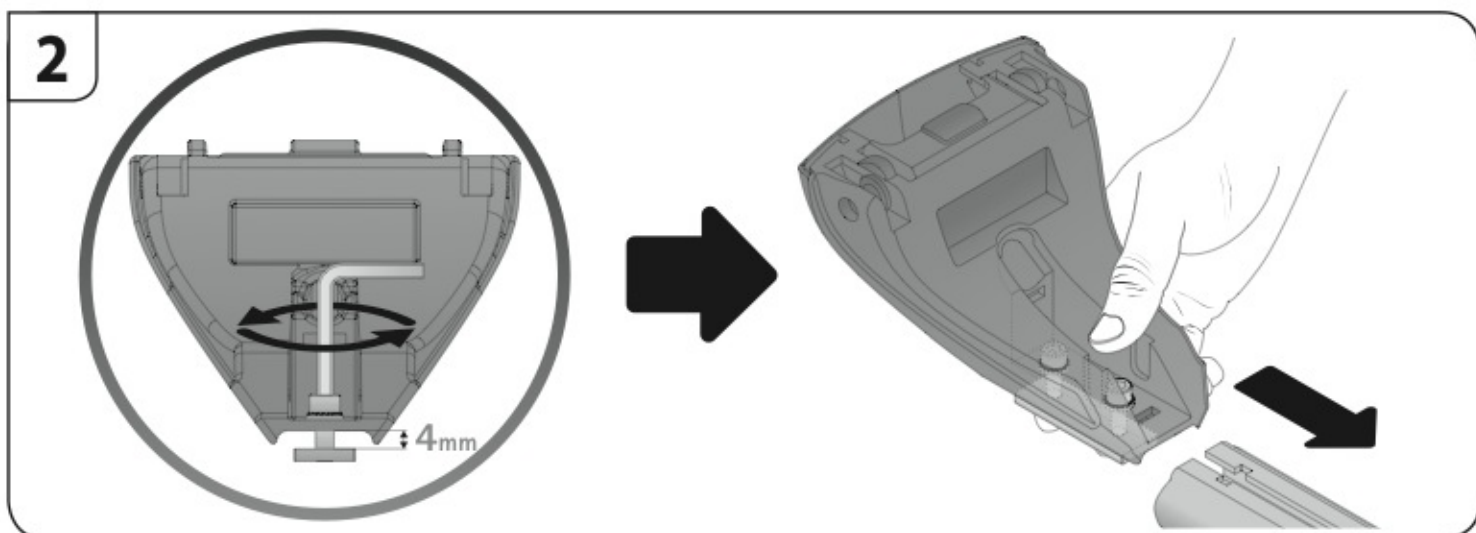
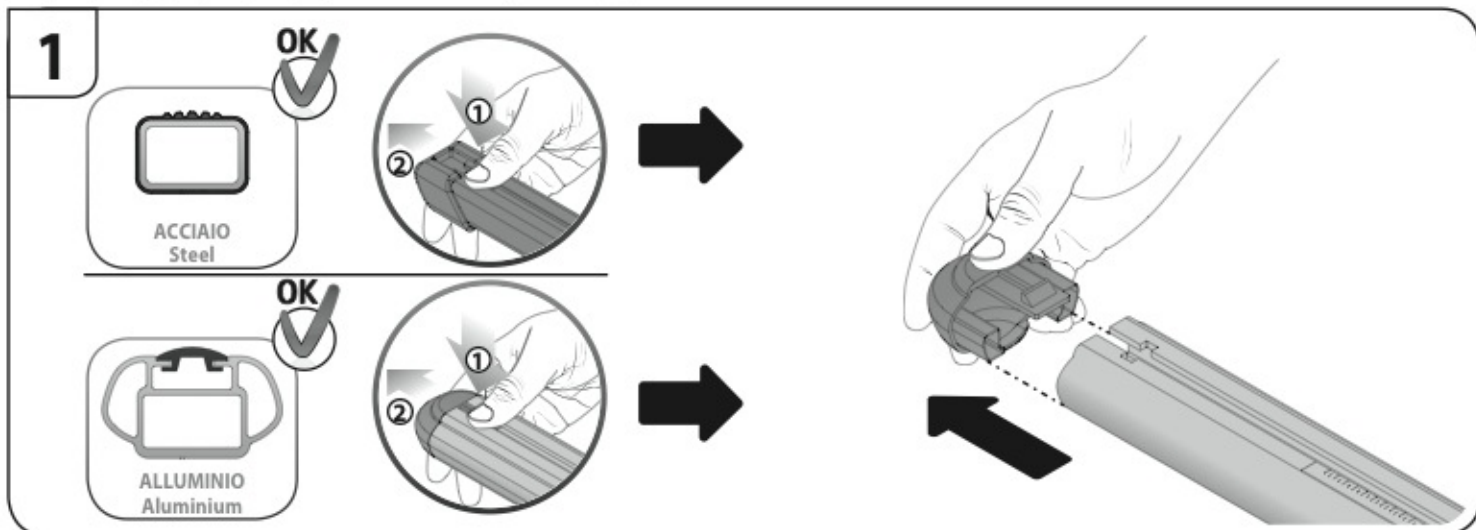
5



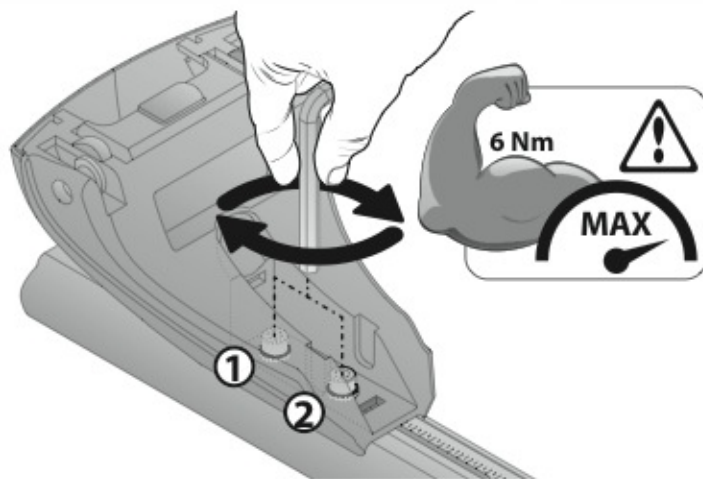
5/00 → 2/07

Art. **N21034**

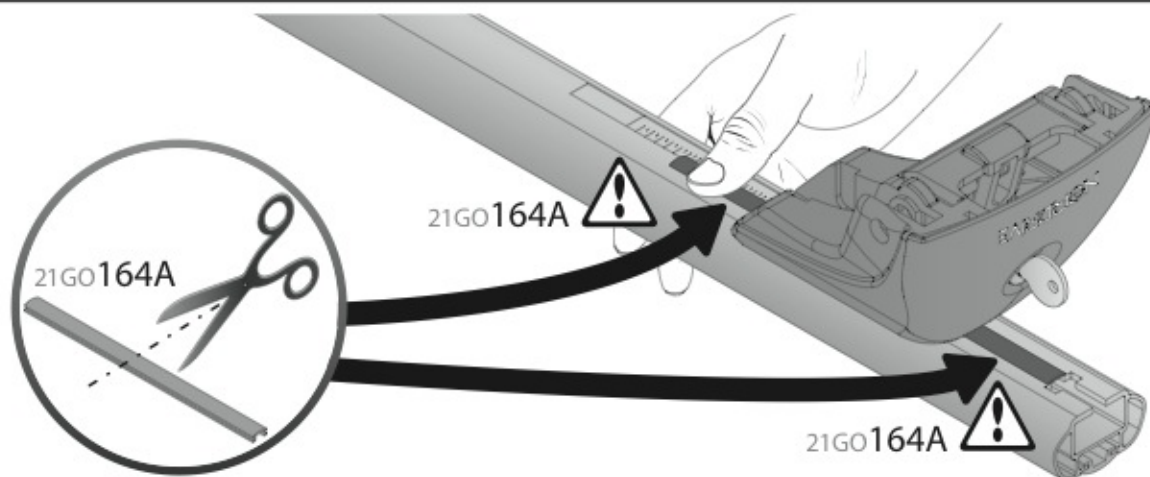




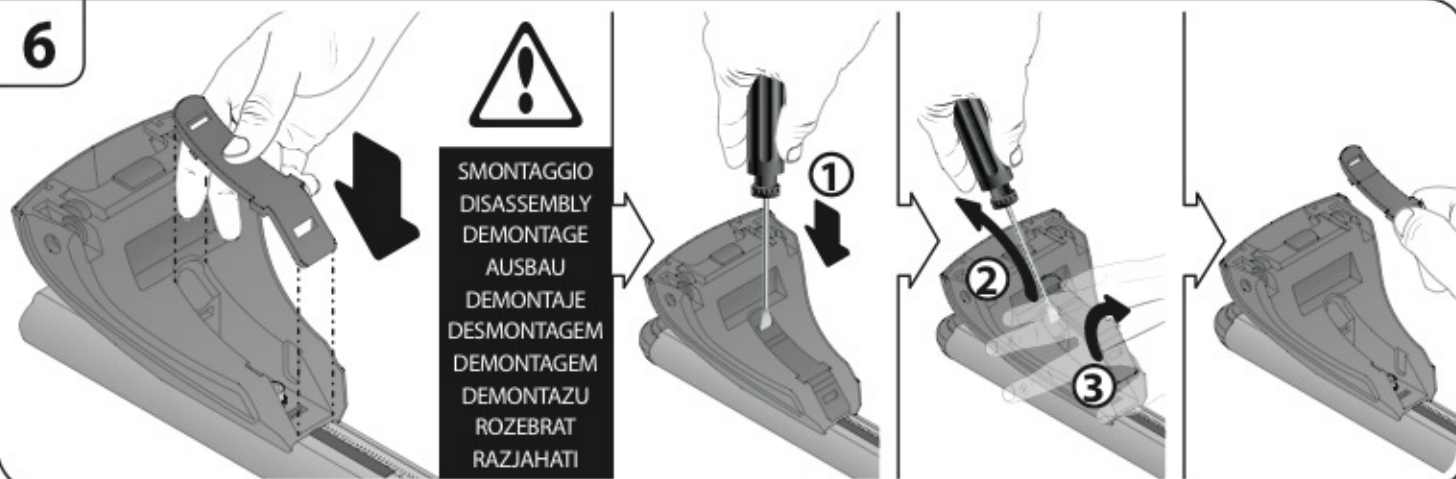
4



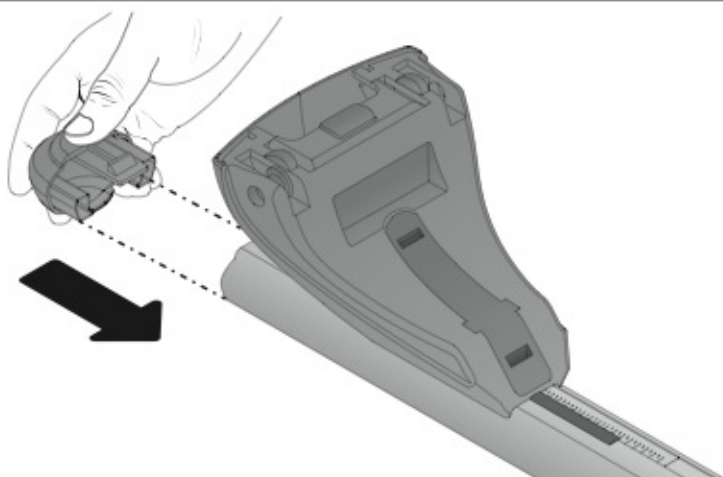
5

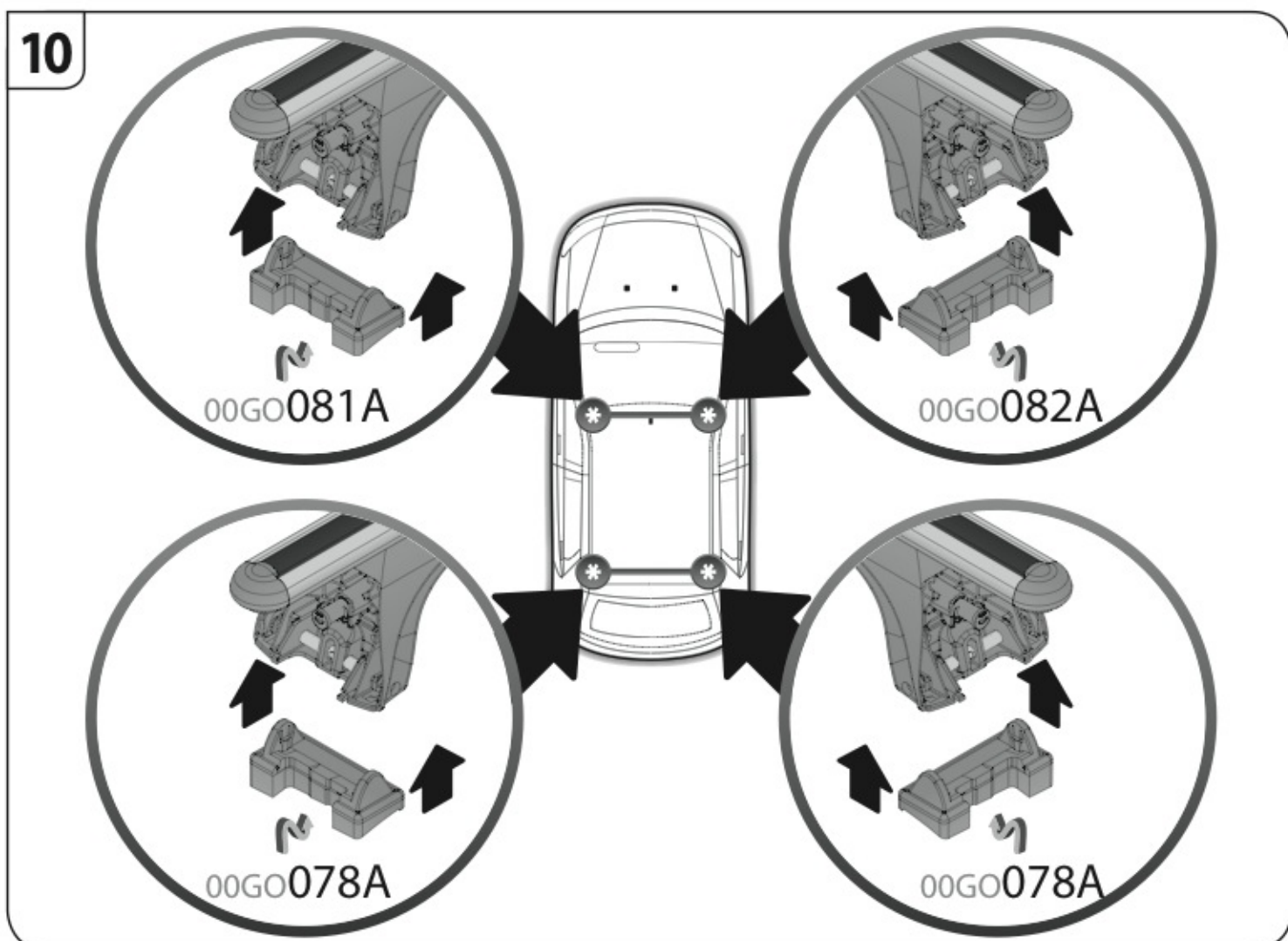
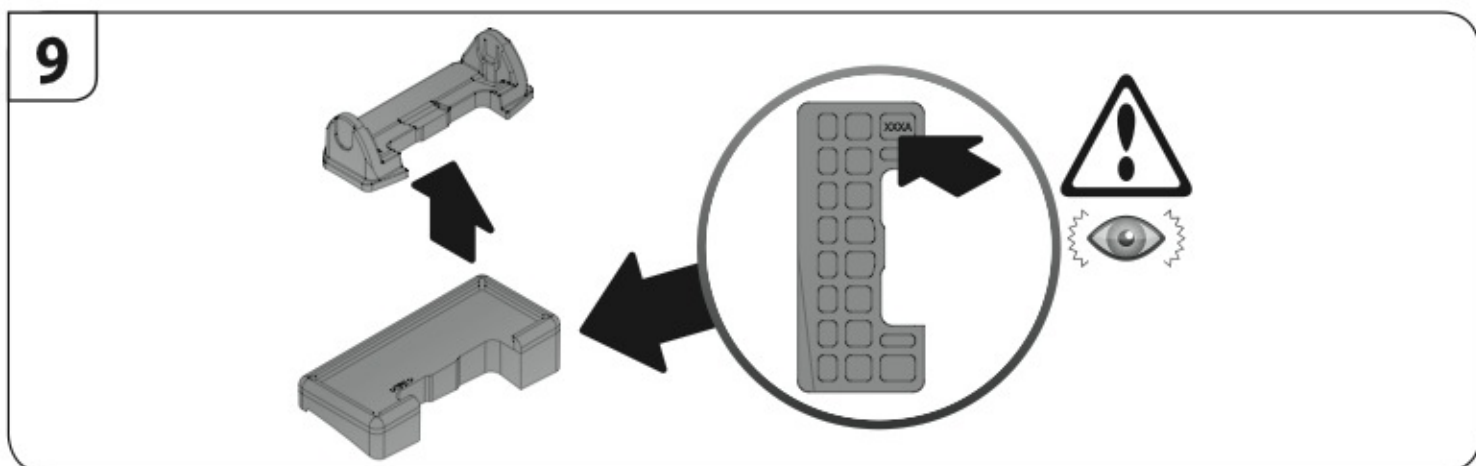
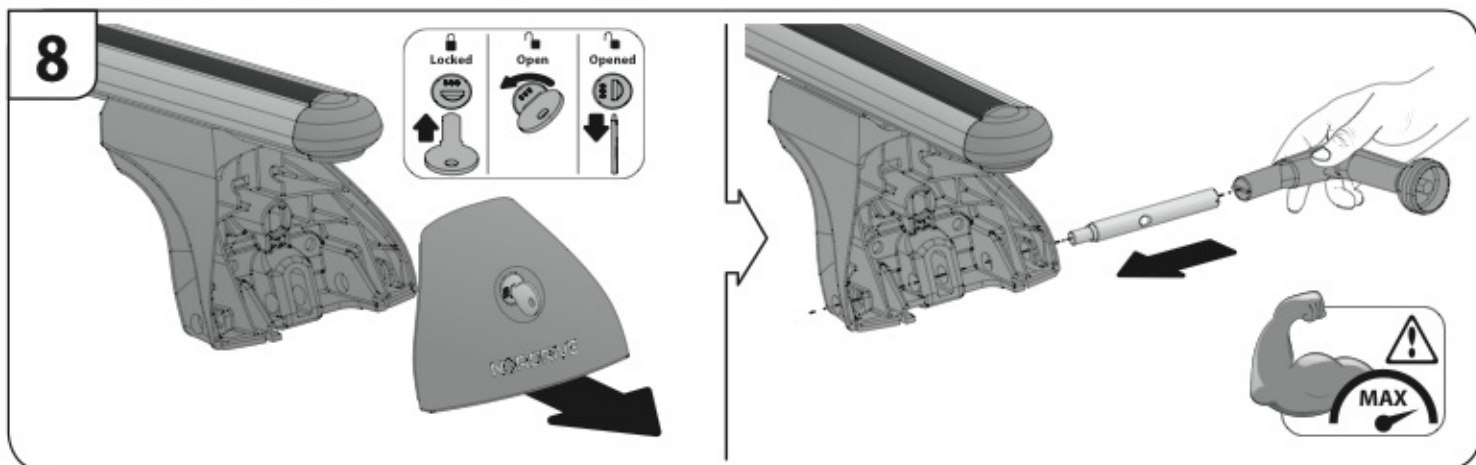


6

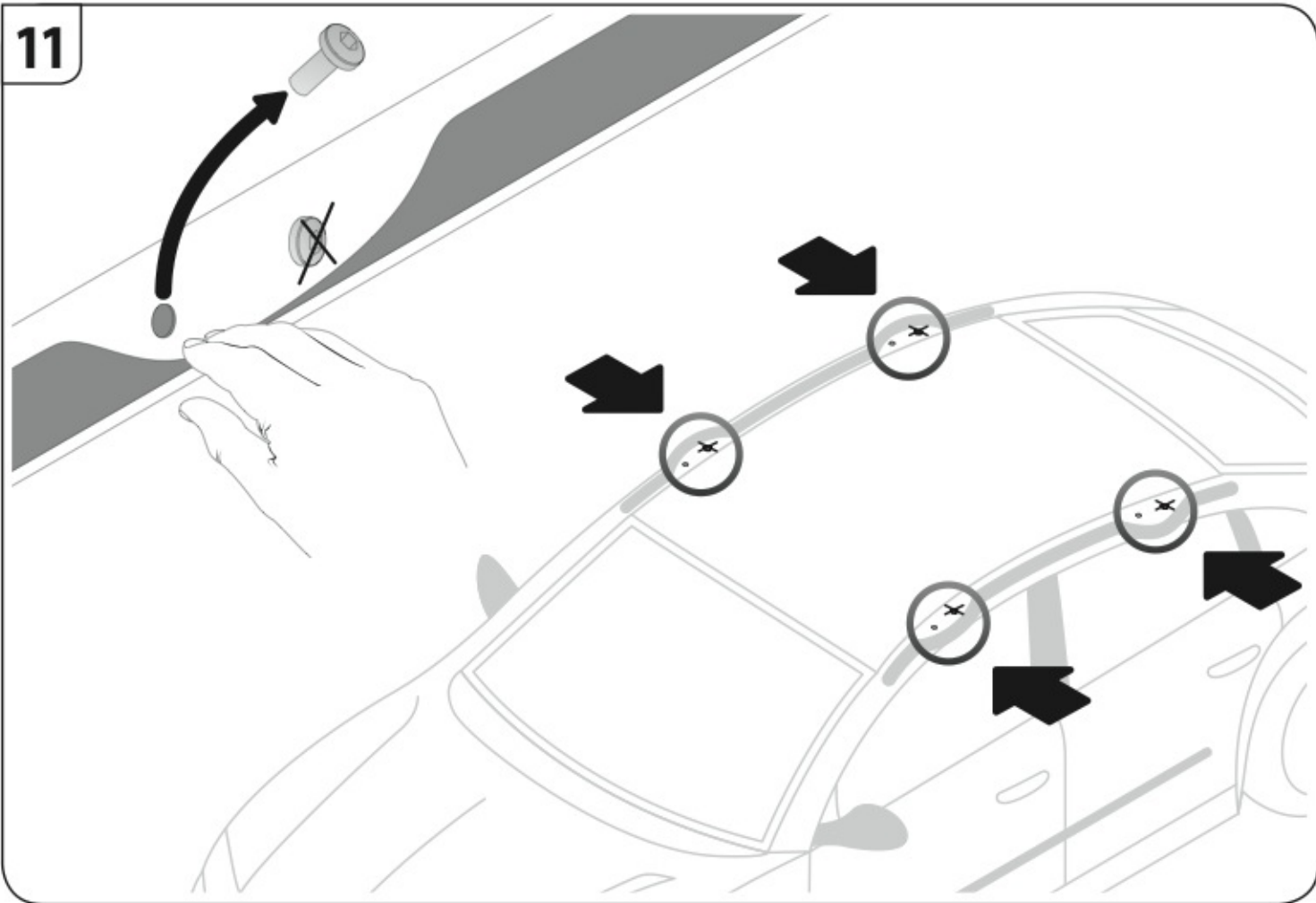


7

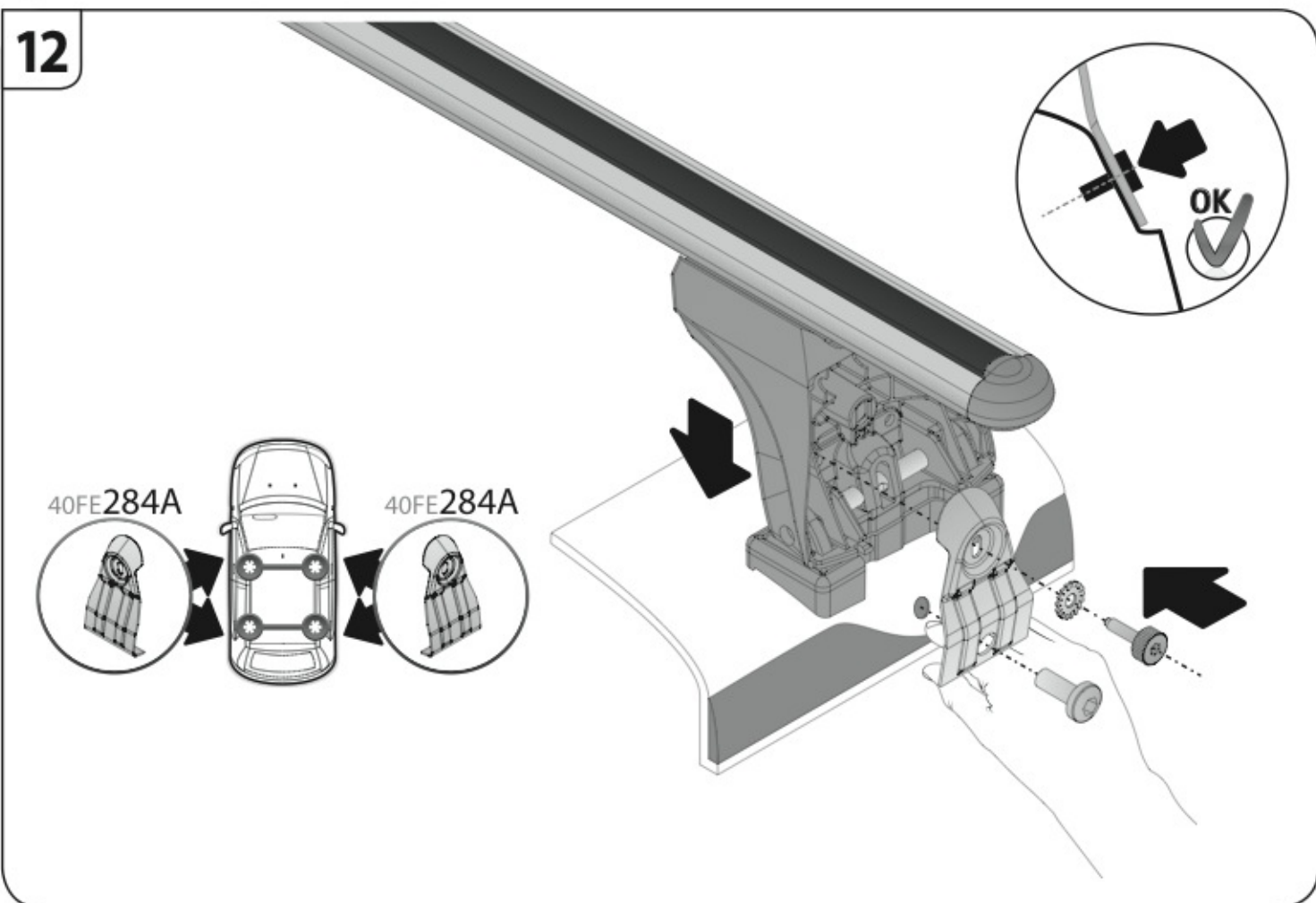




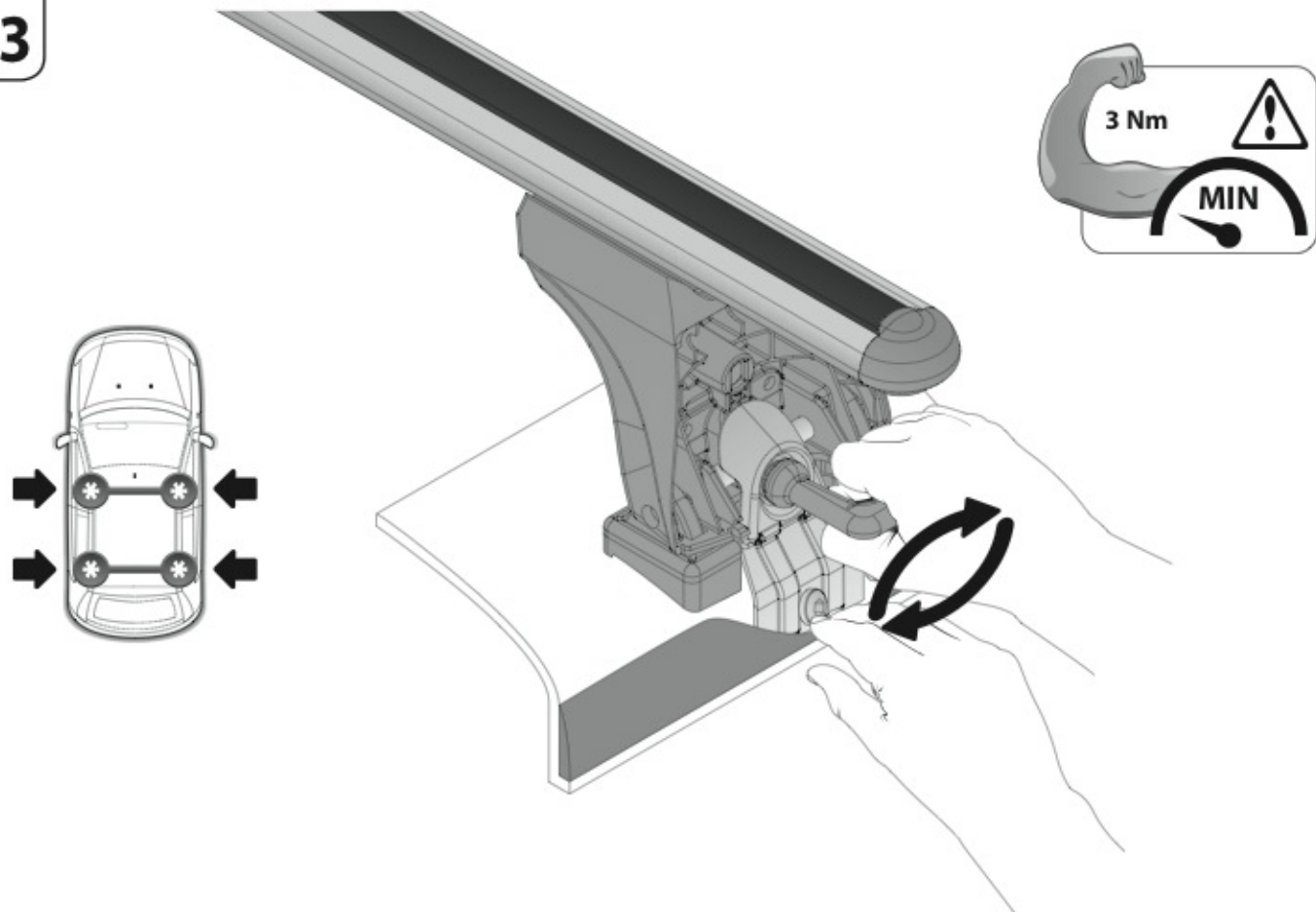
11



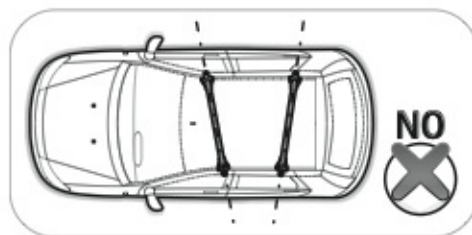
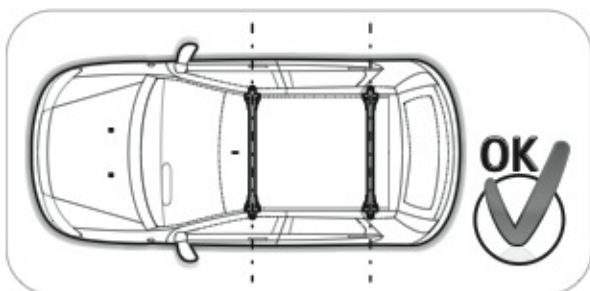
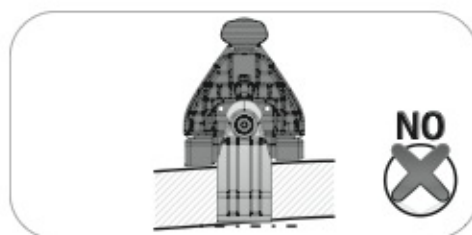
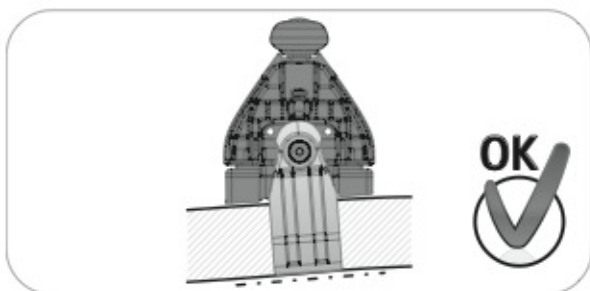
12



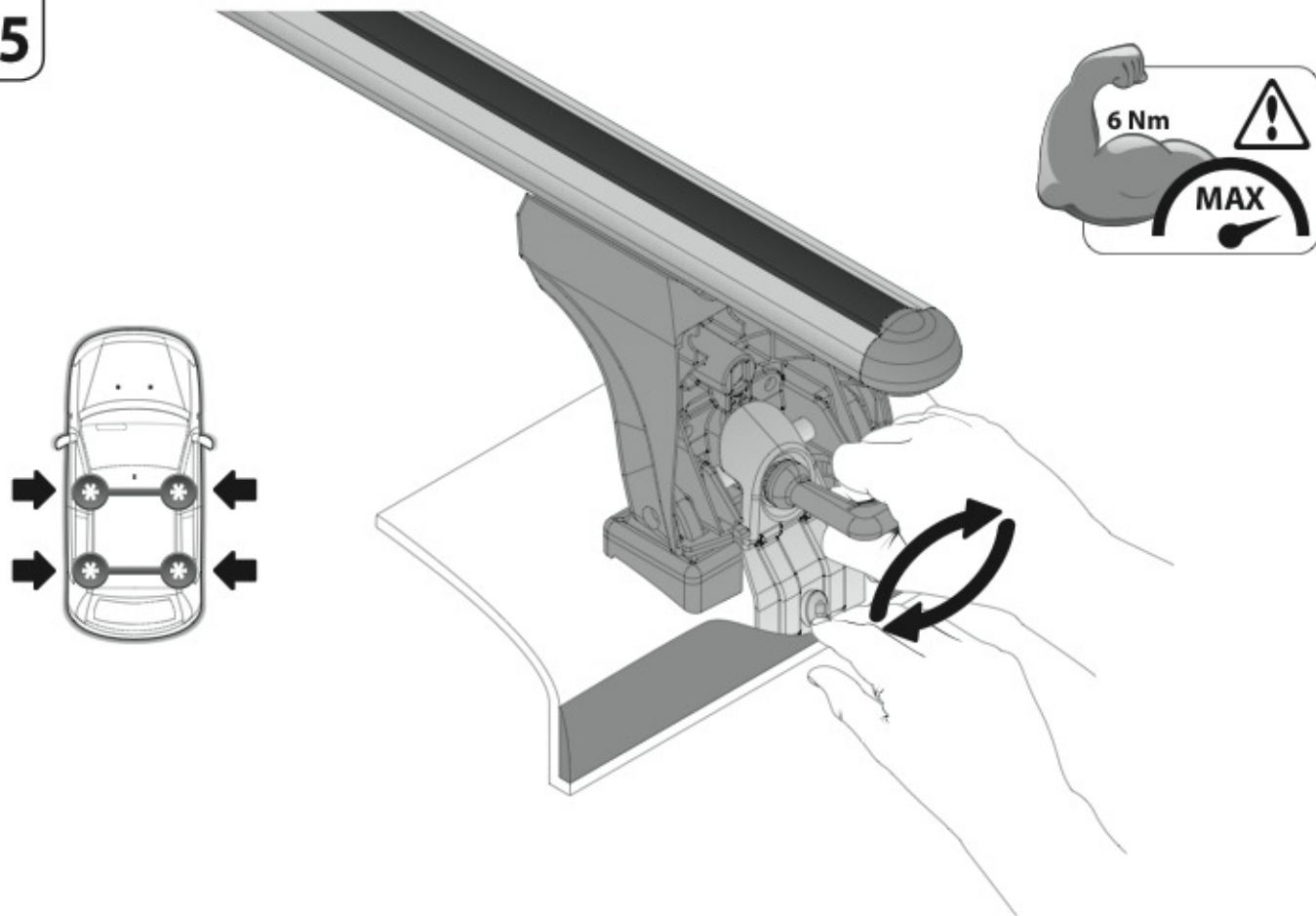
13



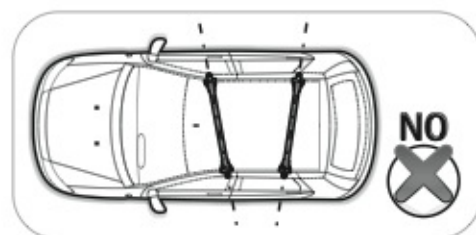
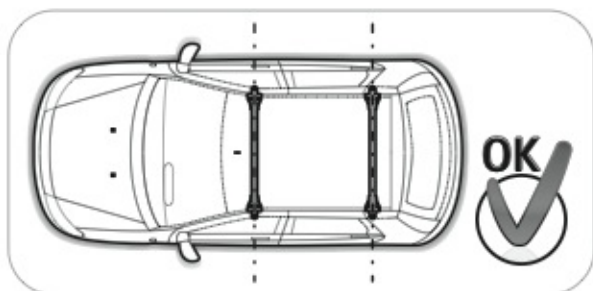
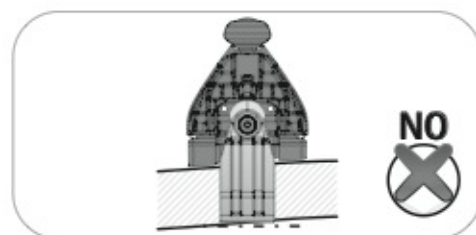
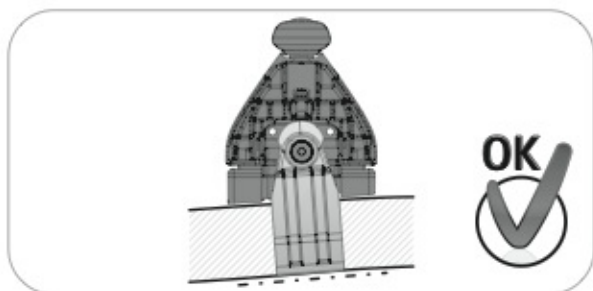
14



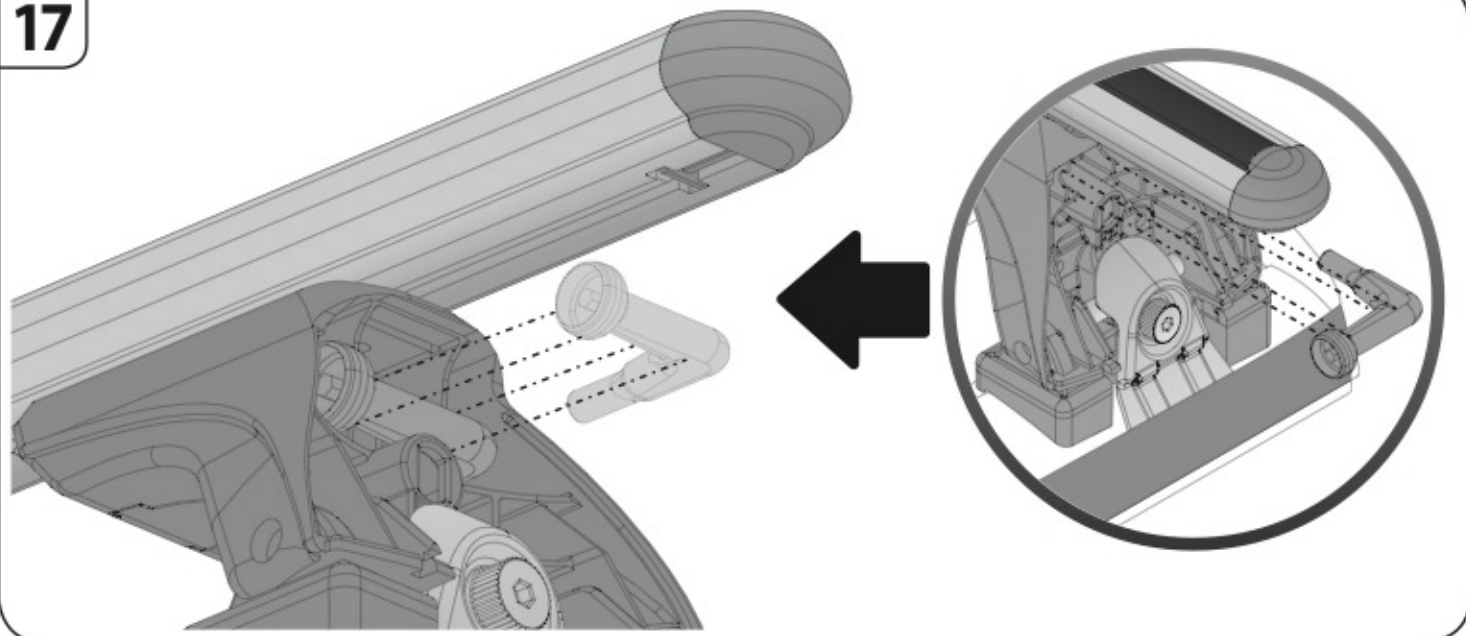
15



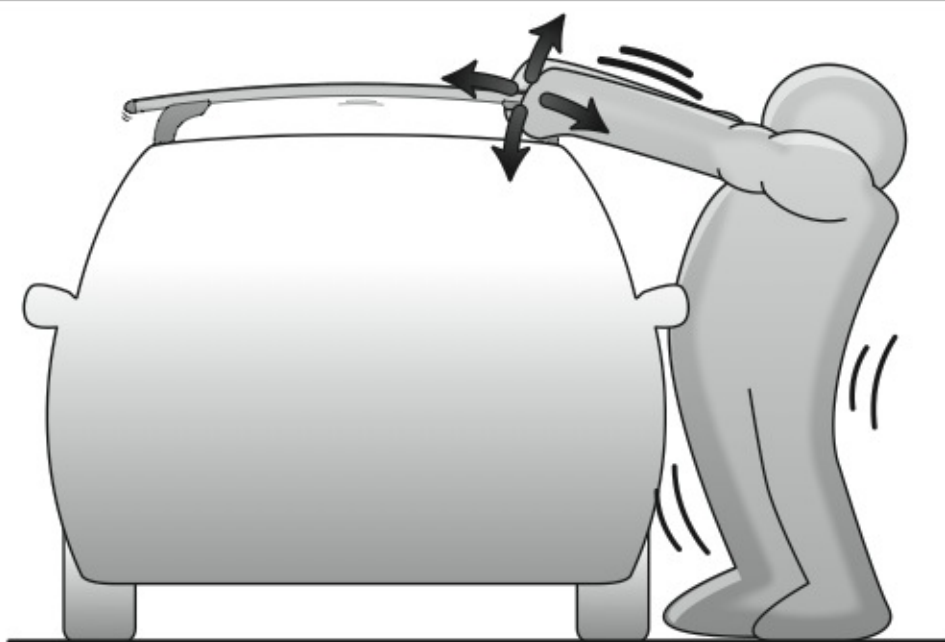
16



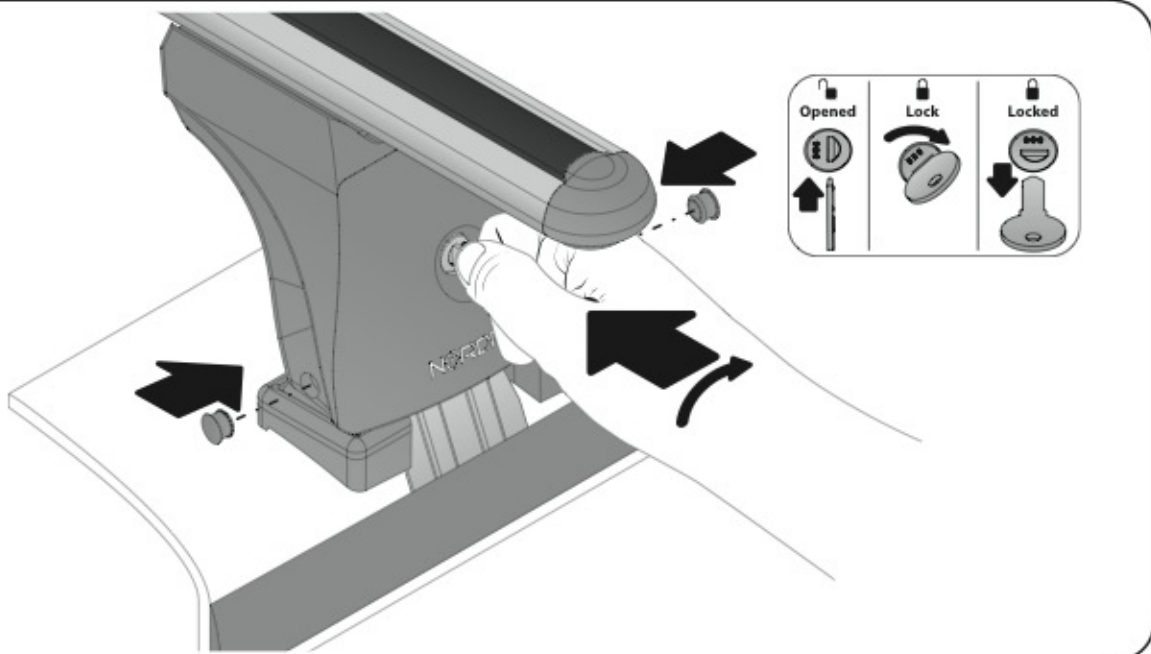
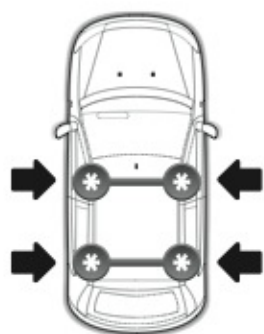
17



18



19



EVOS

EVOLUZIONE ZERO SYSTEM

NORDRIVE®
TRANSPORT SOLUTIONS

is a registered trade mark of

LAMPA S.p.A.

46019 Viadana (MN) ITALY

Ditta certificata UNI EN ISO 9001:2008

www.nordrive.it

www.lampa.it