

EVOS

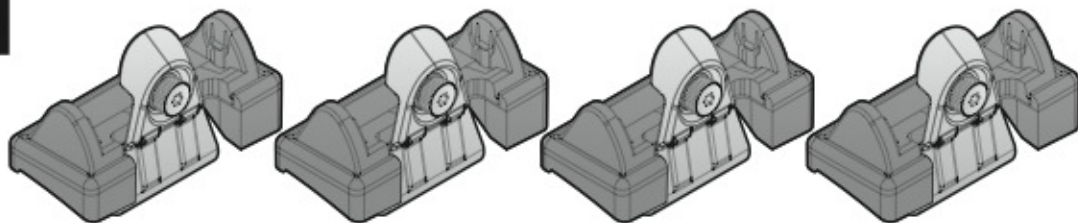
VOLKSWAGEN PASSAT

3/05 → 12/10



NORDRIVE® TRANSPORT SOLUTIONS

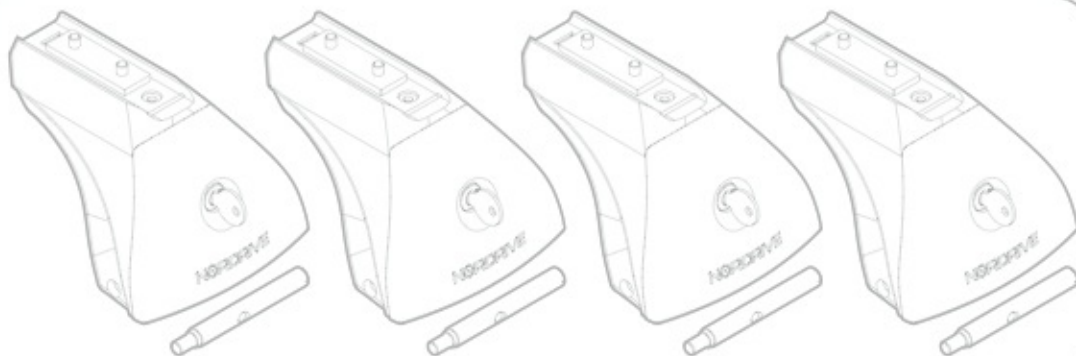
Art.
N21050



C

+

Art. **N20001**



B

+

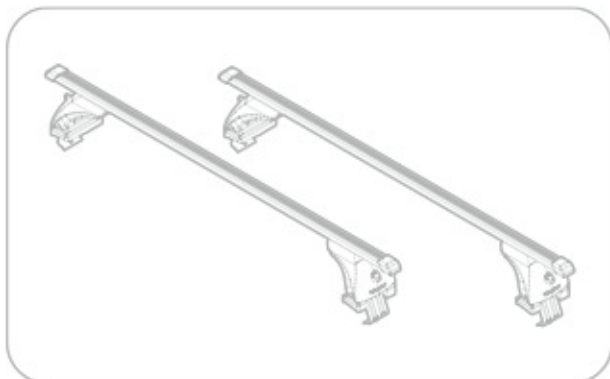
Art. **N15021**



A

ACCIAIO
Steel

=



Art. **N15026**






A

ALLUMINIO
Aluminium

=

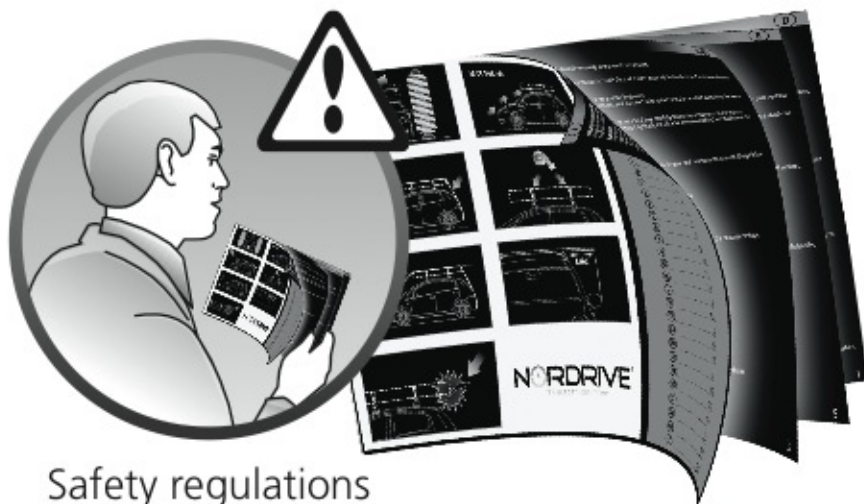
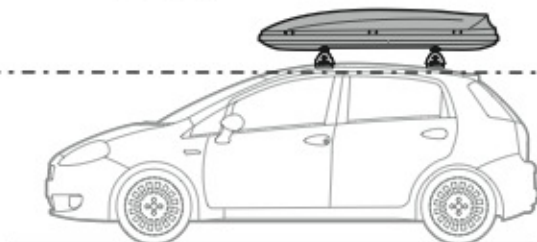




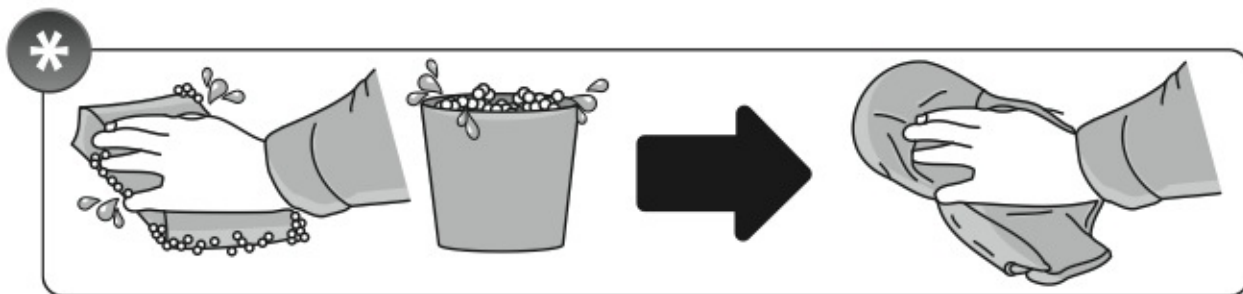
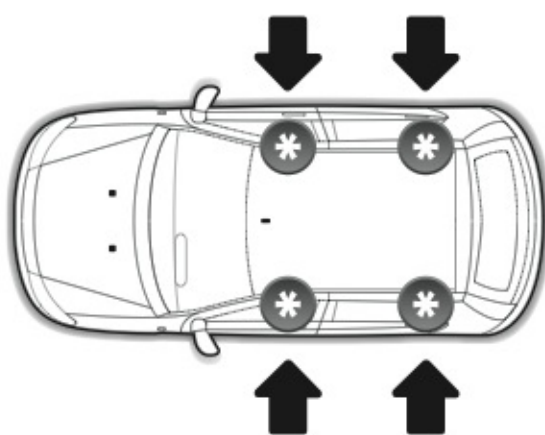
 +  +  = max: **75kg**



max: **???**kg



Safety regulations

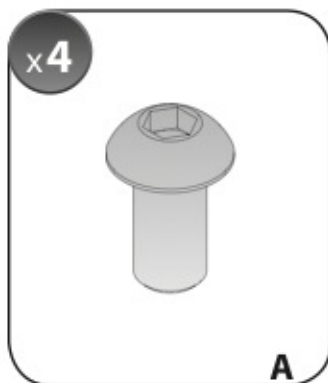
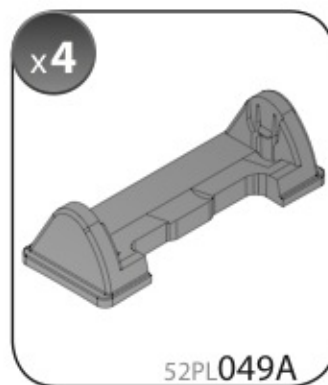
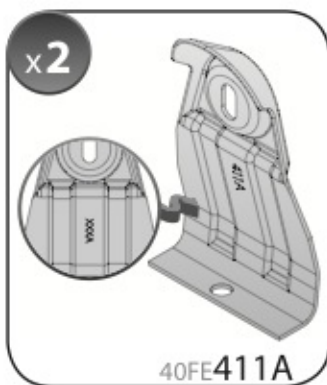
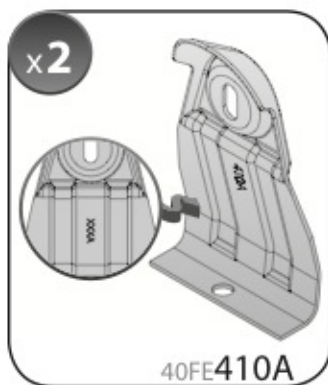
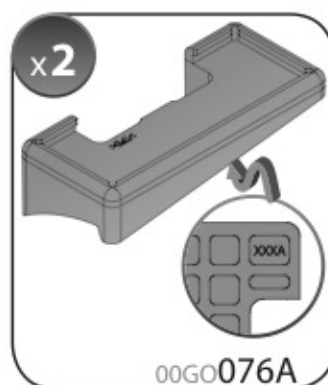
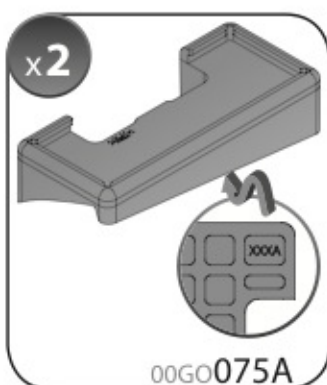
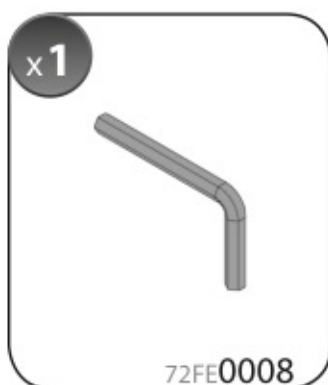


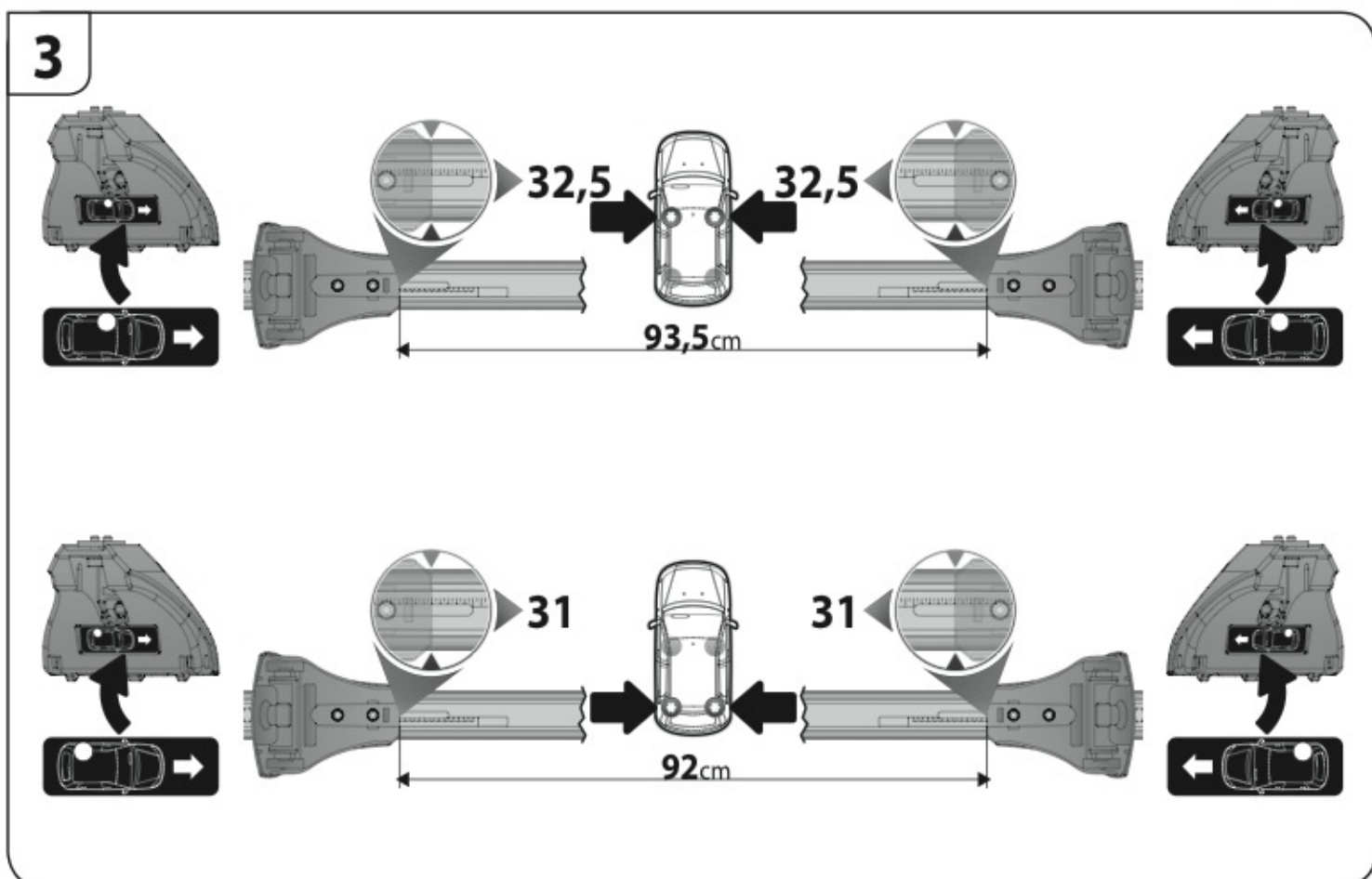
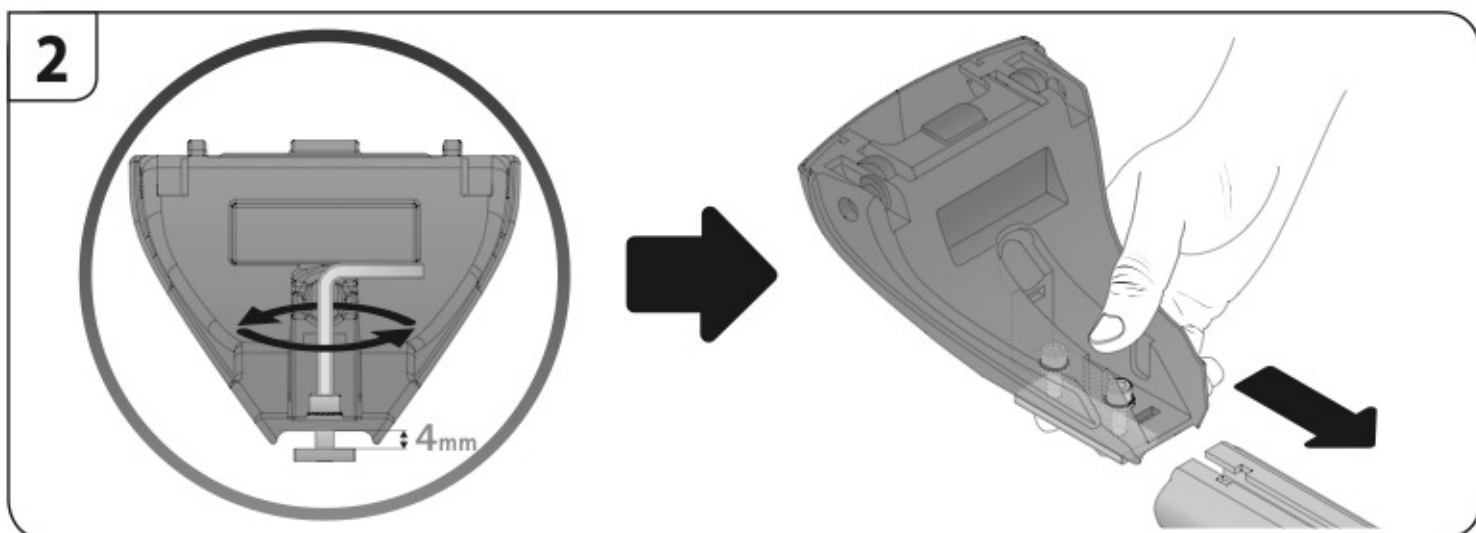
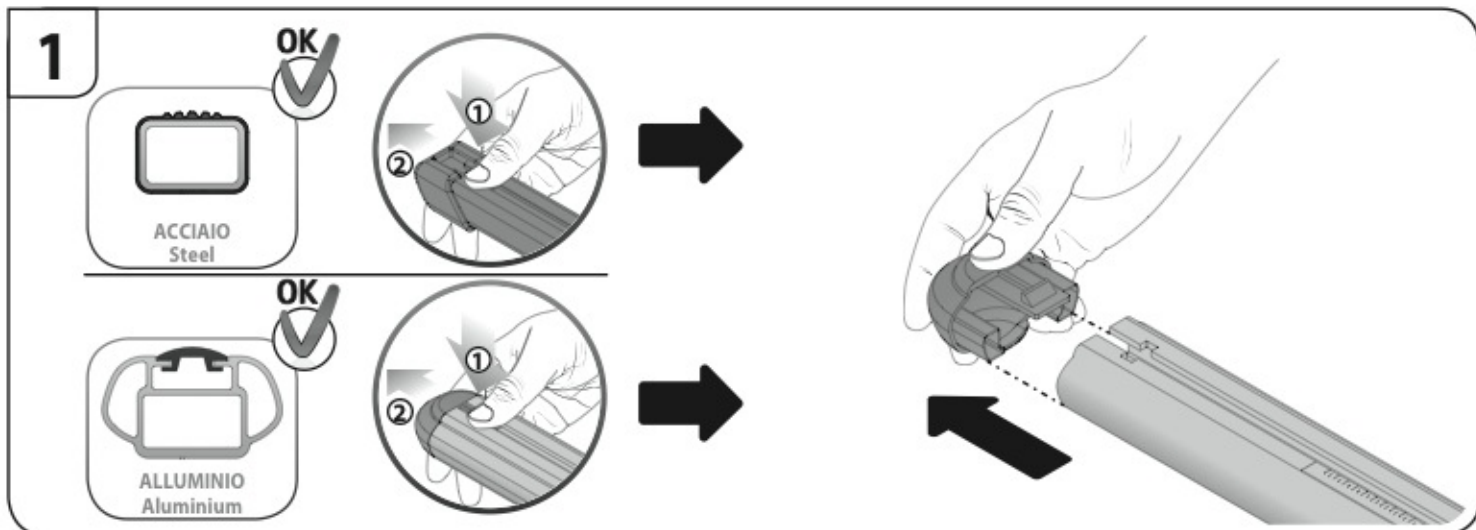


VOLKSWAGEN PASSAT

3/05 → 12/10

Art. **N21050**

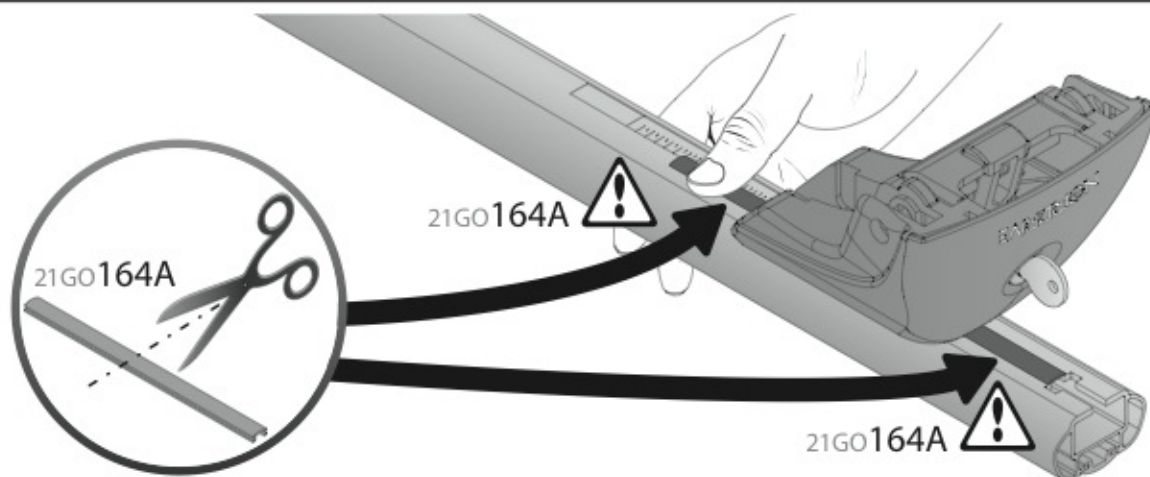




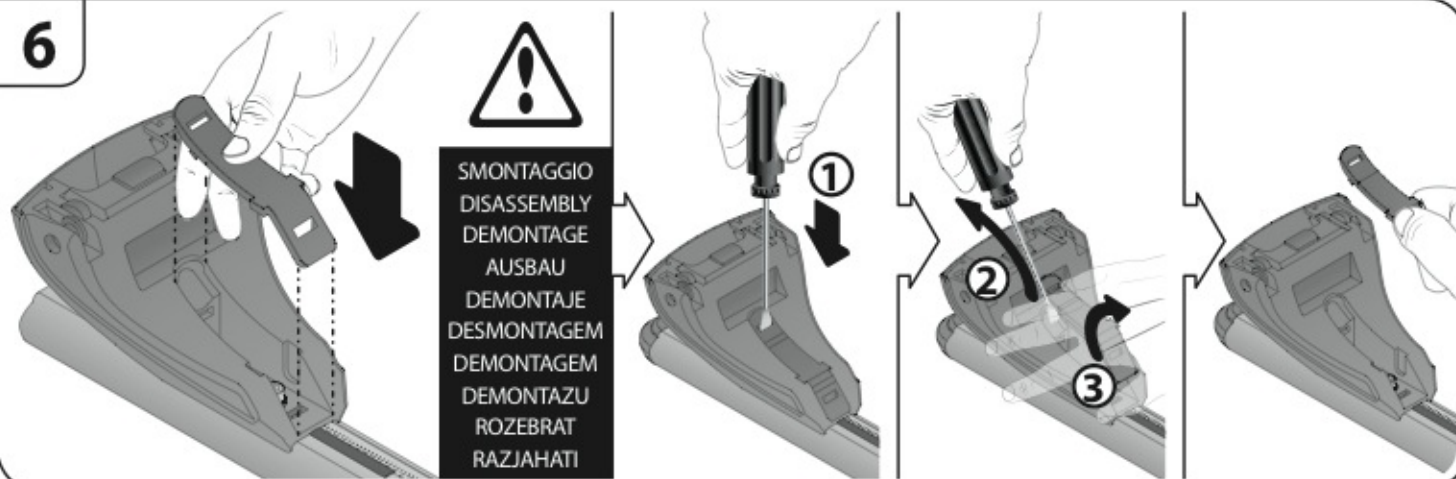
4



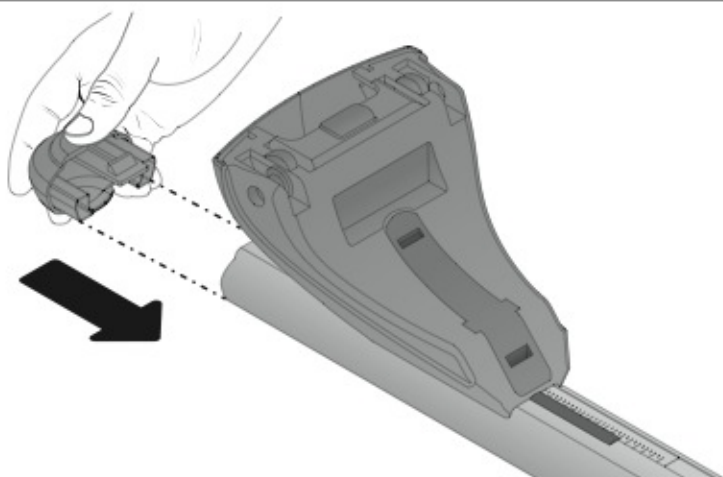
5

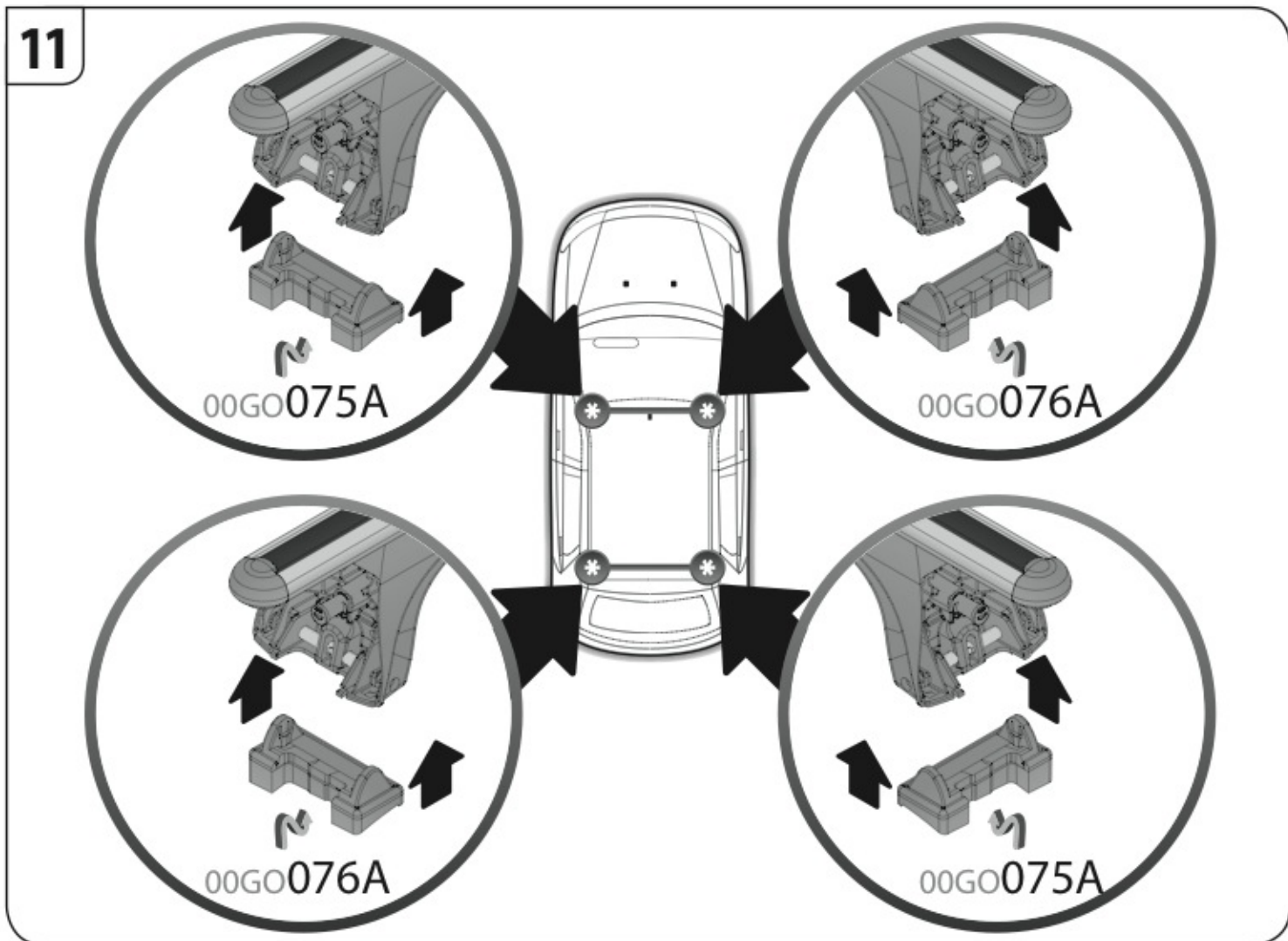
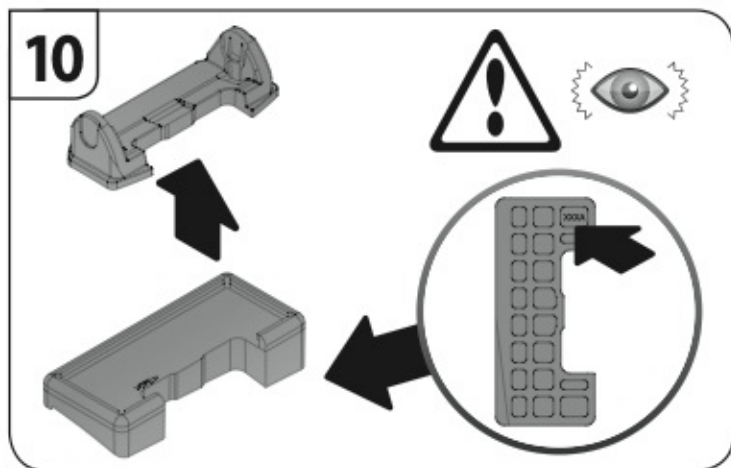
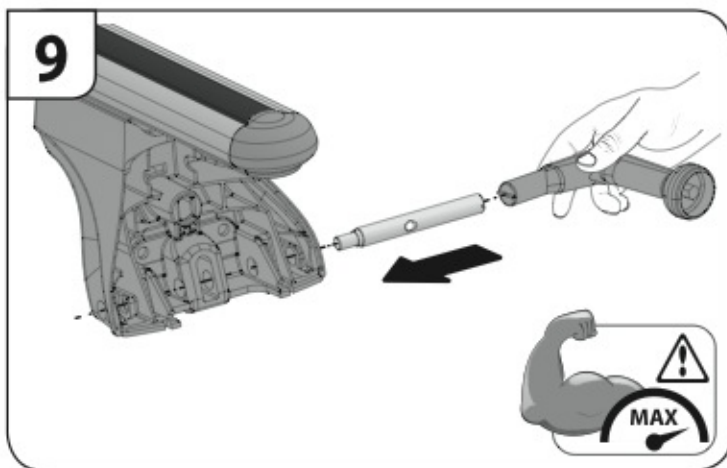
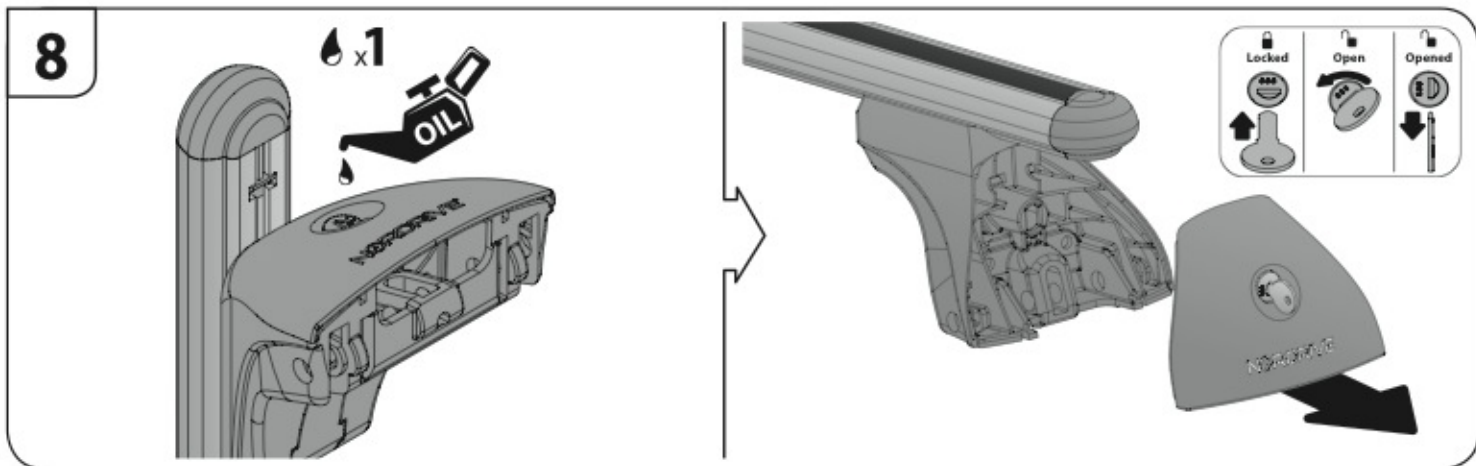


6

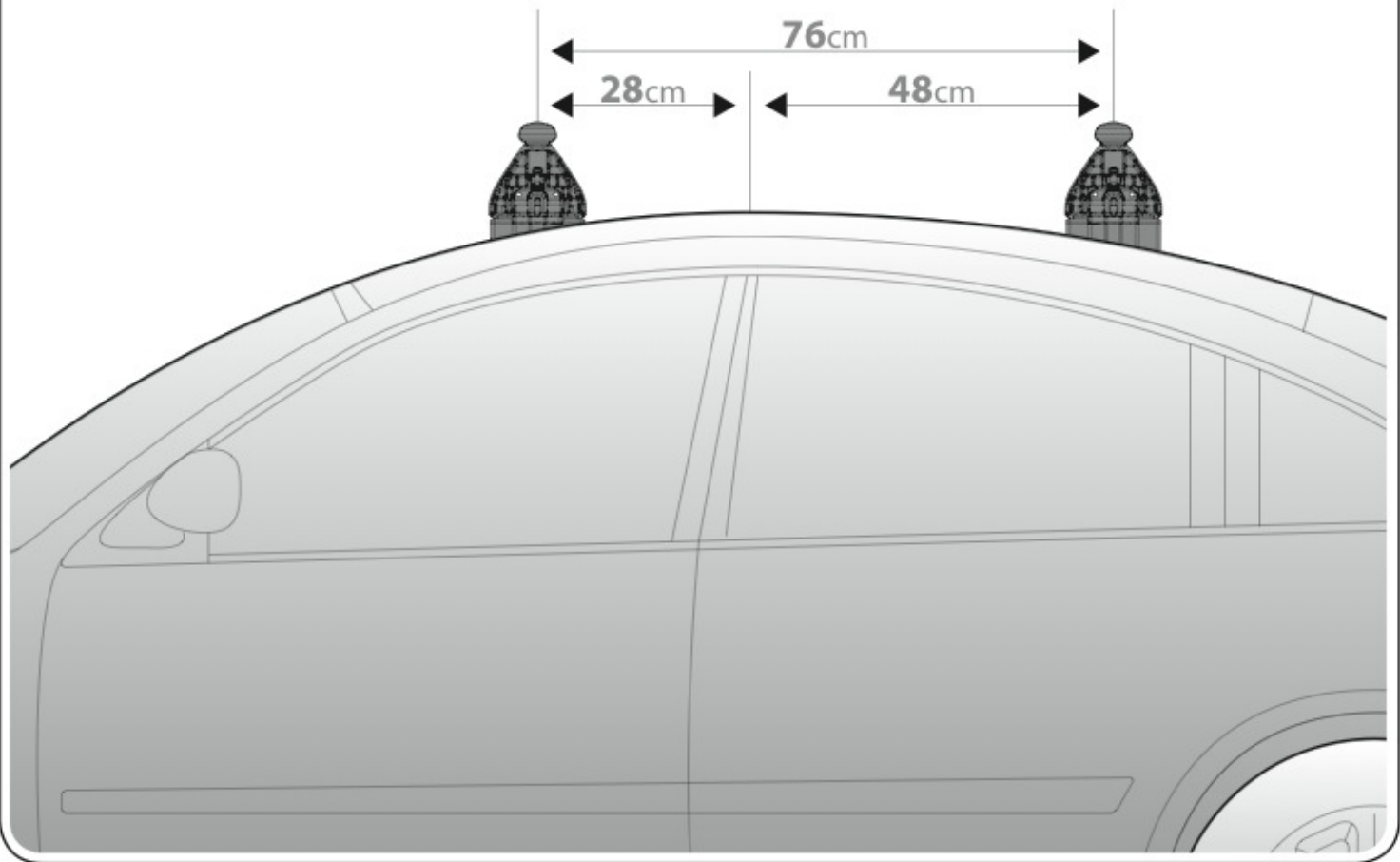


7

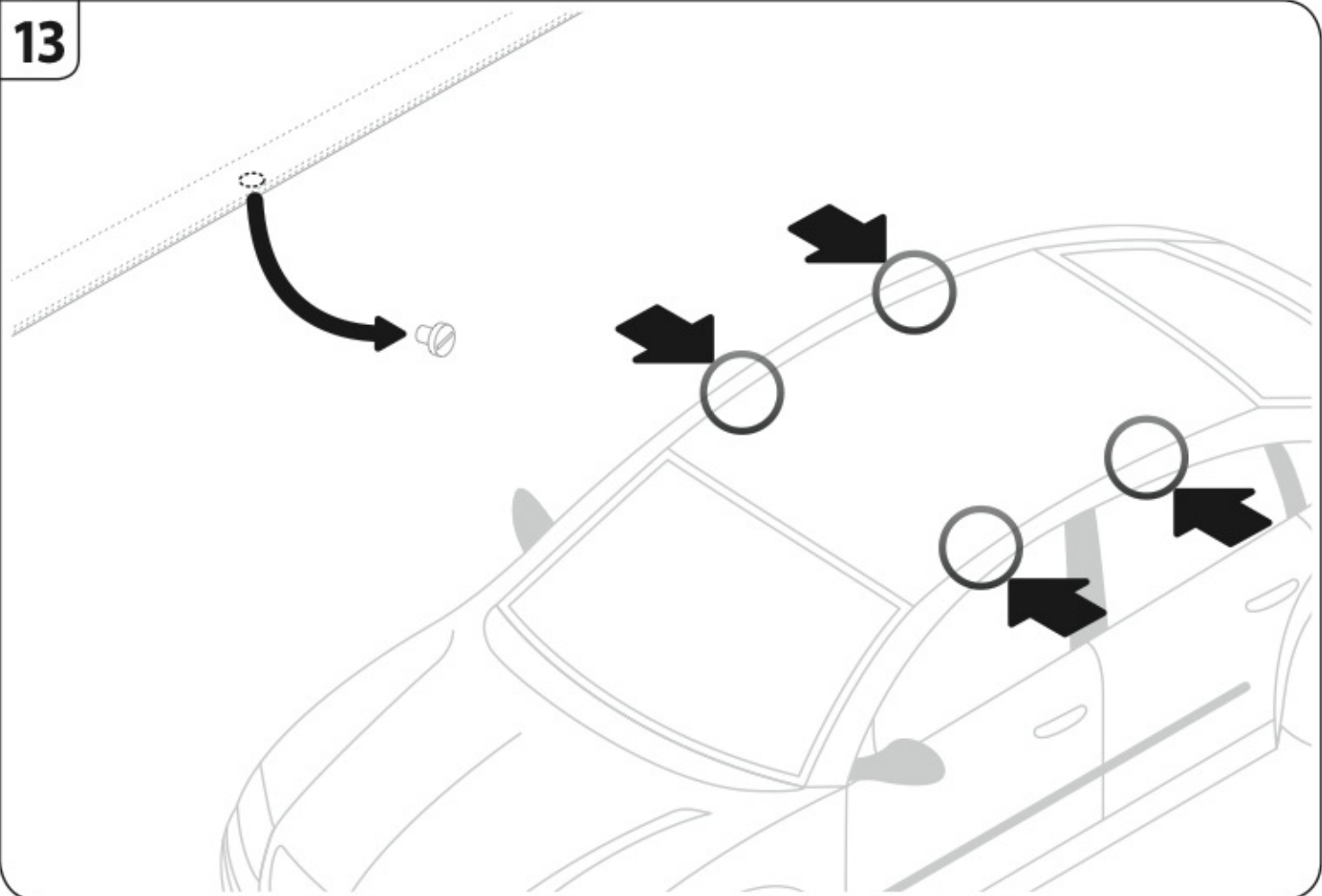




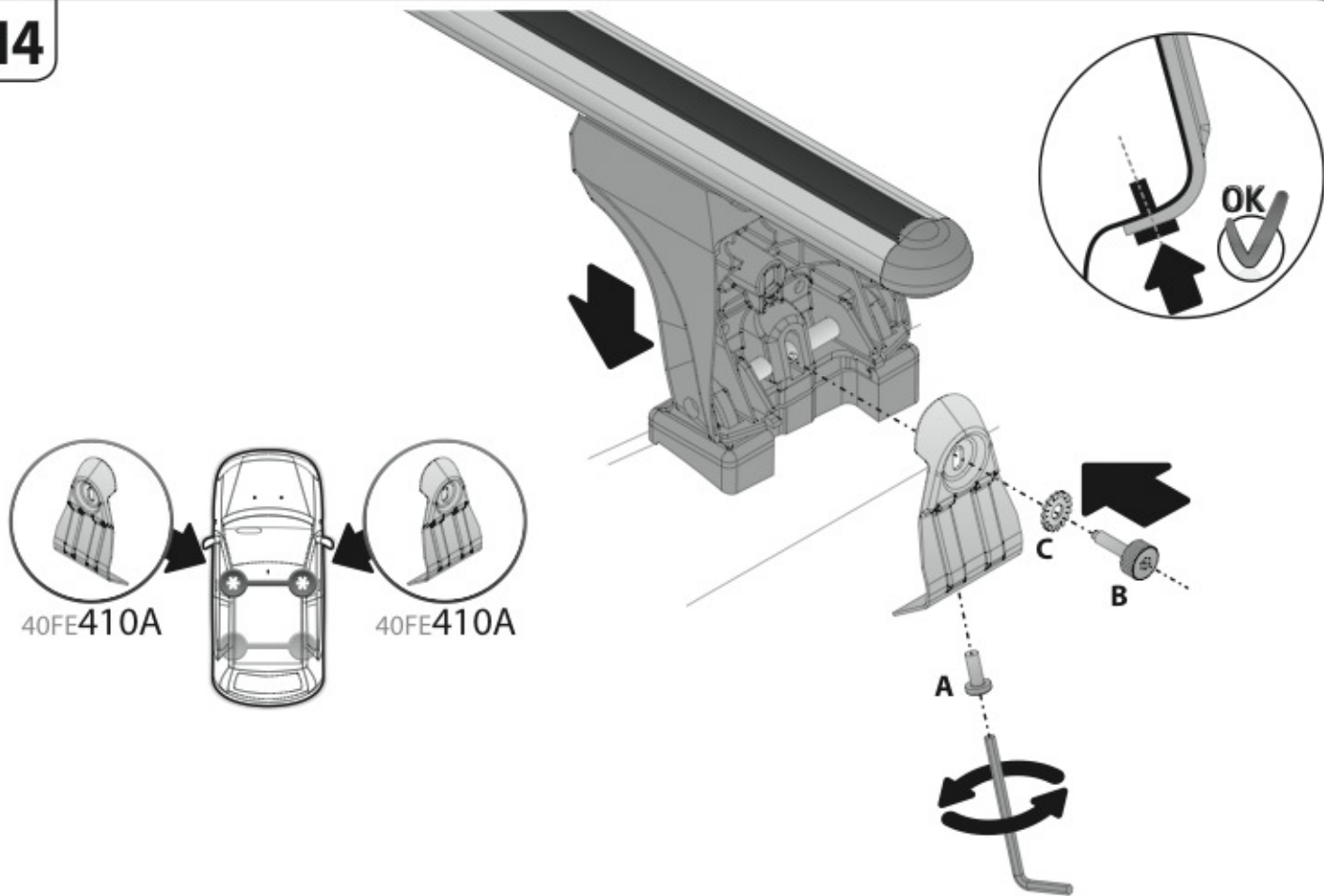
12



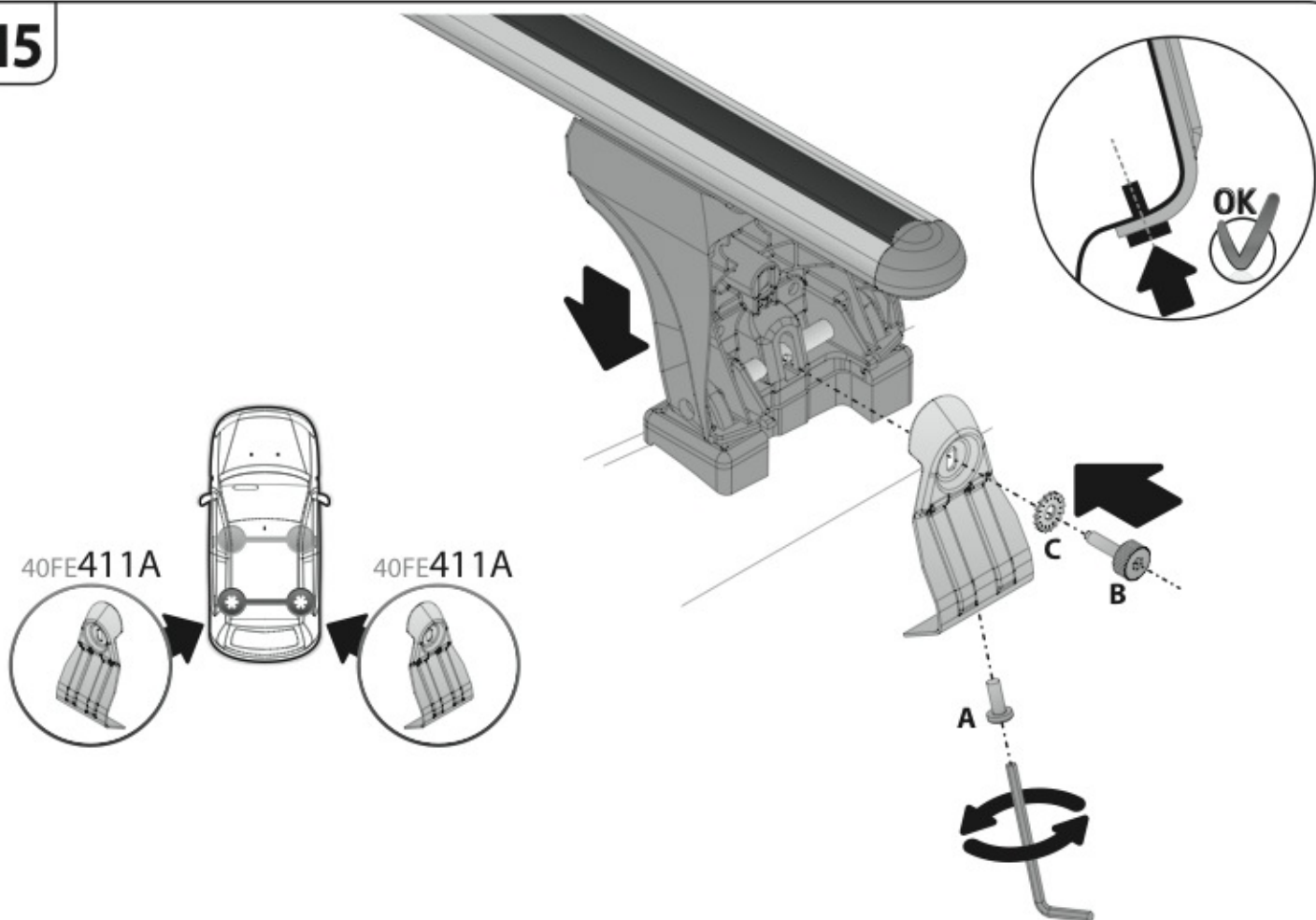
13



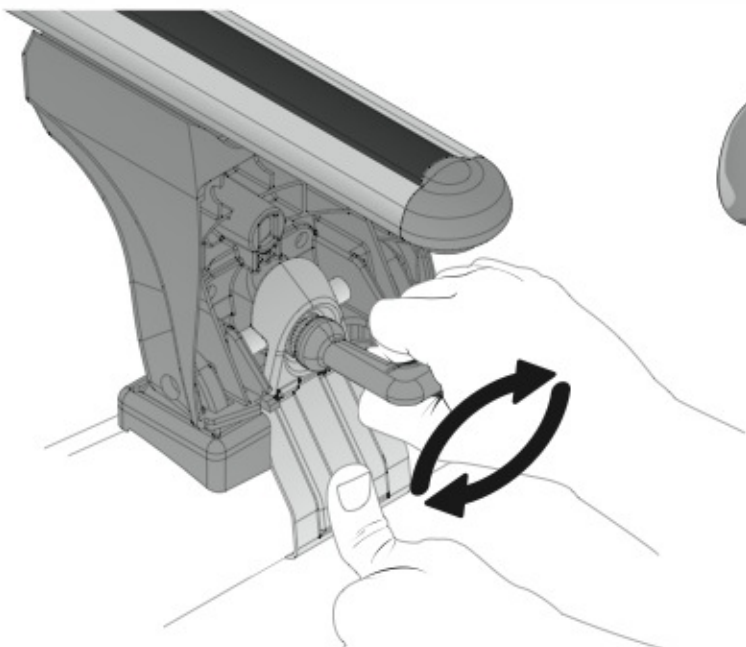
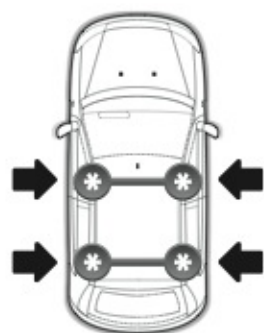
14



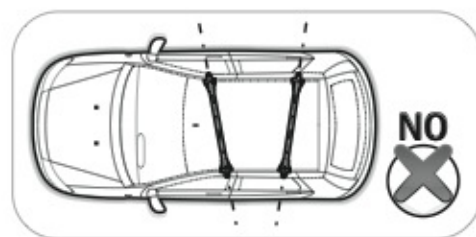
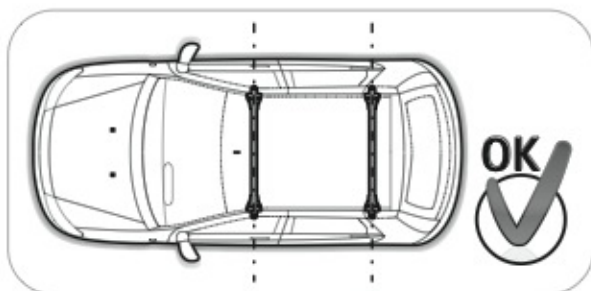
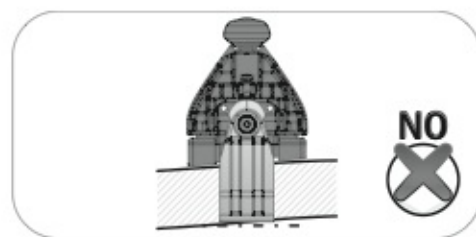
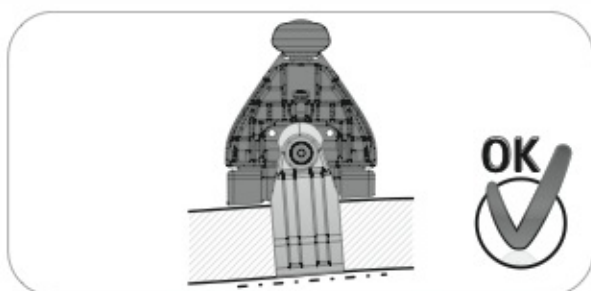
15



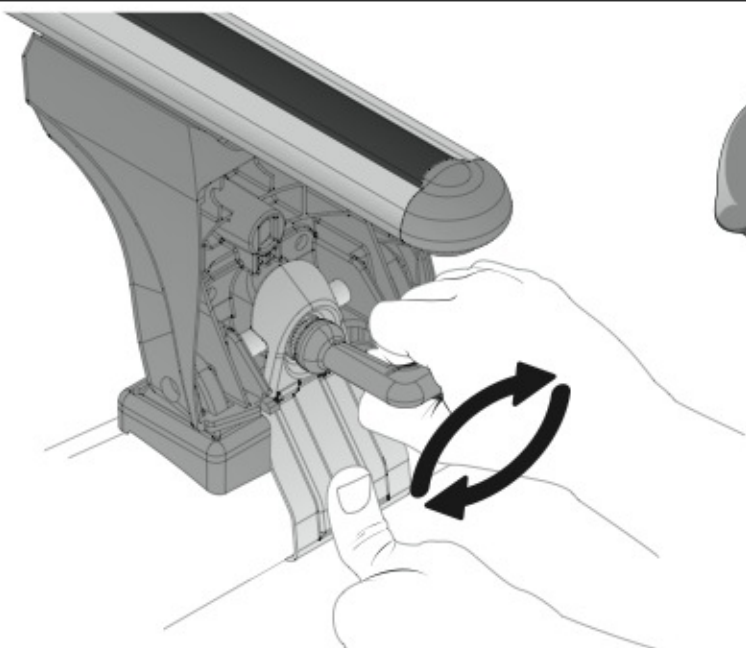
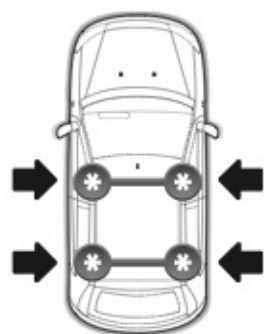
16



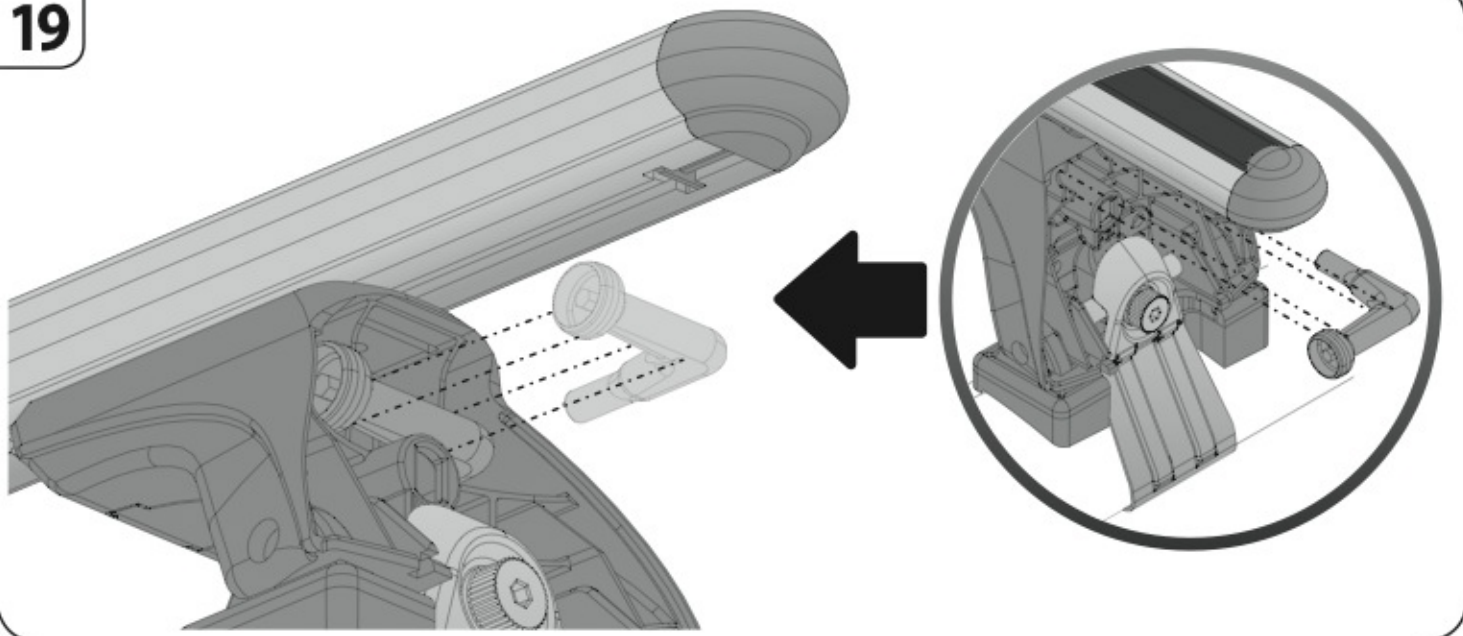
17



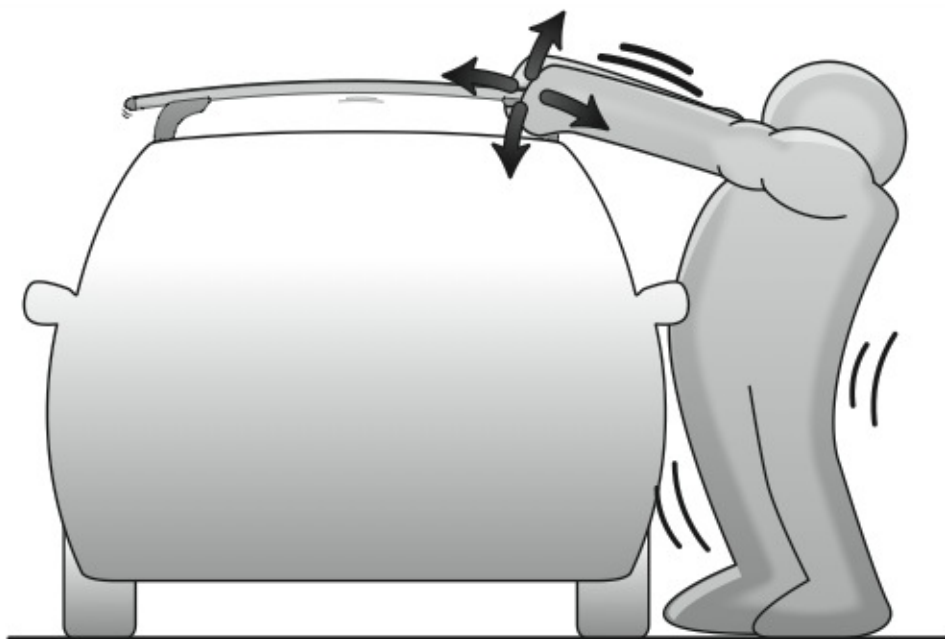
18



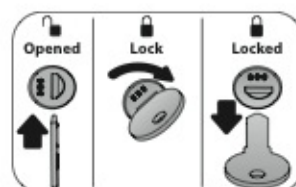
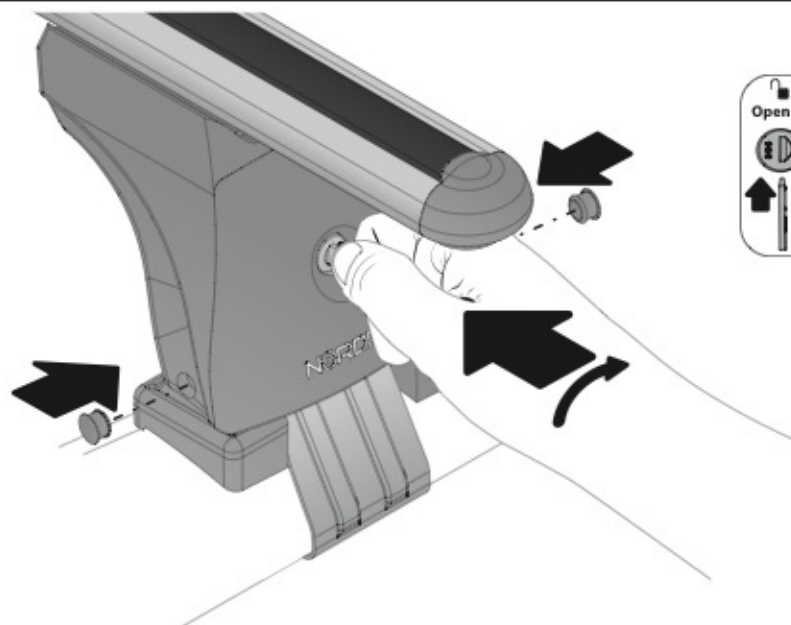
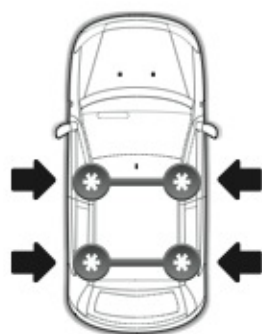
19



20



21



EVOS

NORDRIVE[®]
TRANSPORT SOLUTIONS

is a registered trade mark of

LAMPA S.p.A.

Via G. Rossa 53/55, 46019 Viadana (MN) ITALY

Tel. +39 0375 820700

UNI EN ISO 9001:2008 Certified Company

www.nordrive.it

www.lampa.it