
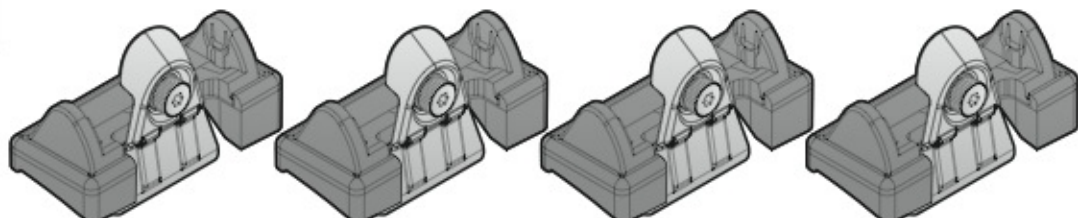


**MAZDA 2**  
(no railing)

 1/03 → 9/07

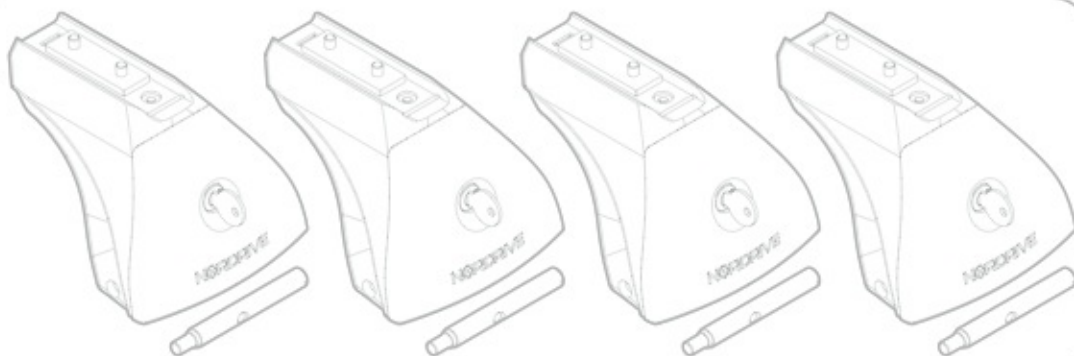
Art.  
**N21051**



**C**

+

Art. **N20001**



**B**

+

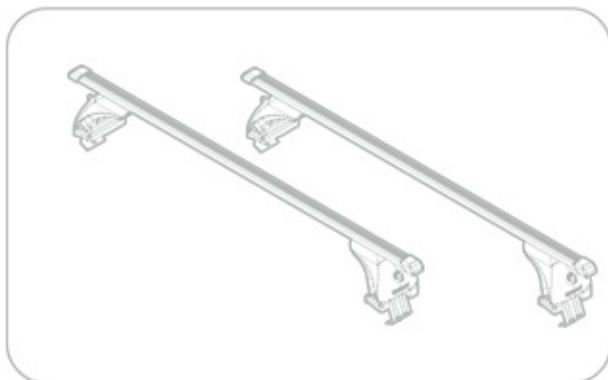
Art. **N15019**



**A**

**ACCIAIO**  
Steel

=



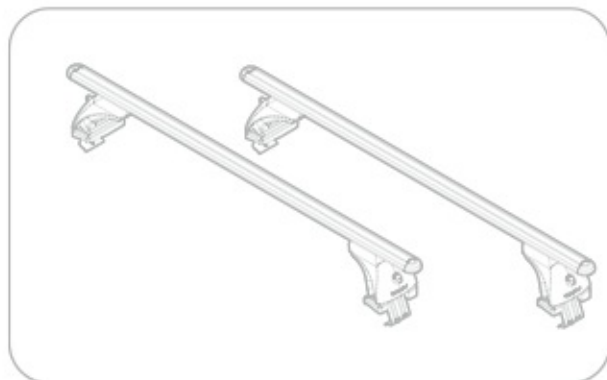
Art. **N15024**






**A**

**ALLUMINIO**  
Aluminium

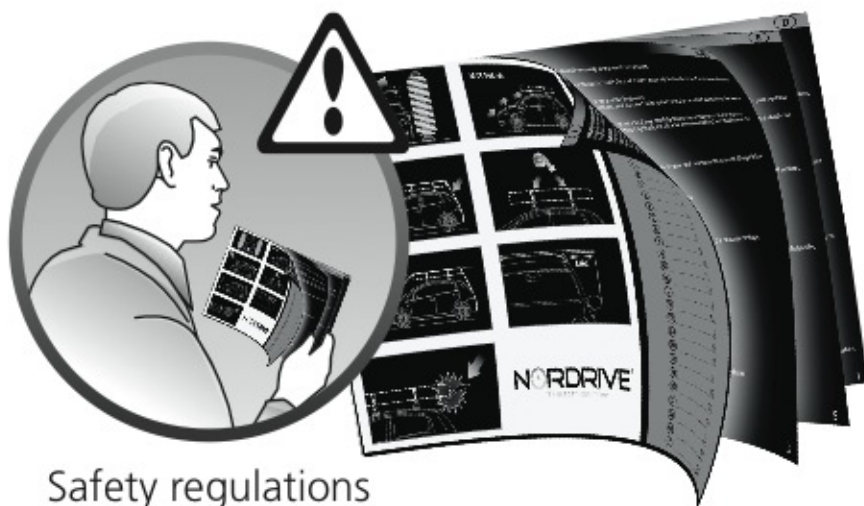
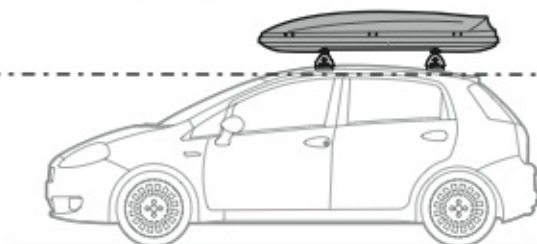
=



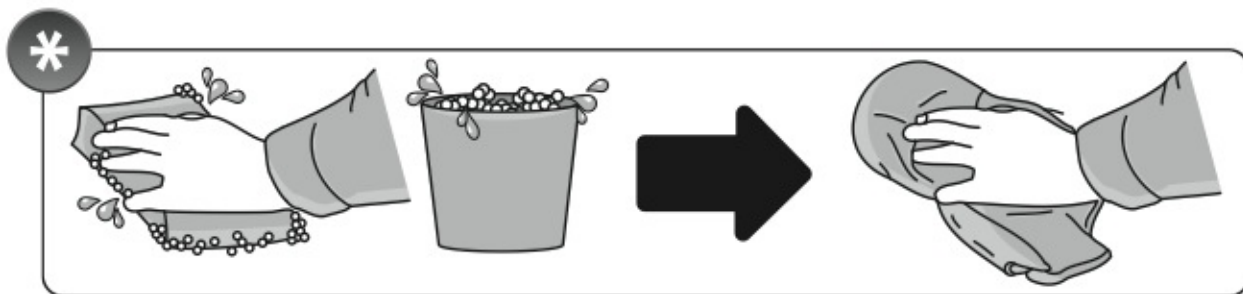
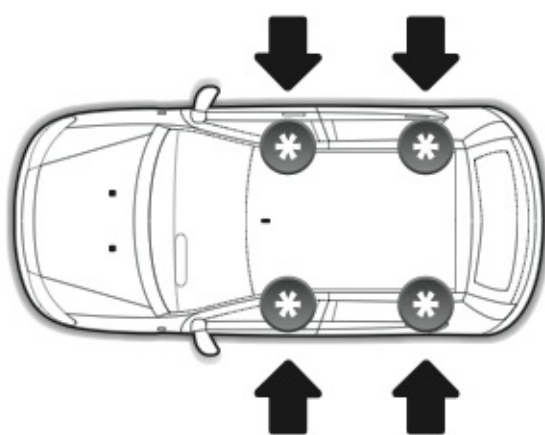
 +  +  = max: **60kg**  
5,5kg



max:  
**???**kg




Safety regulations

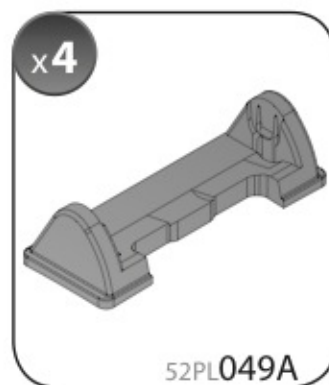
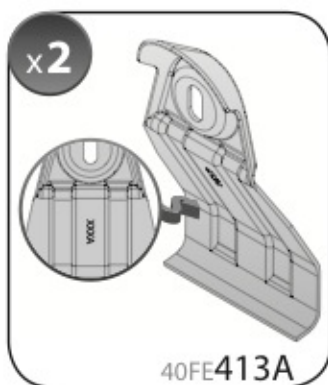
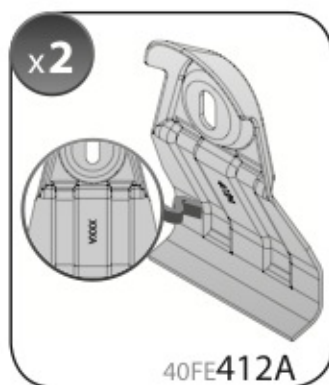
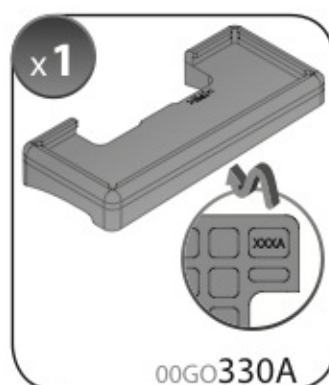
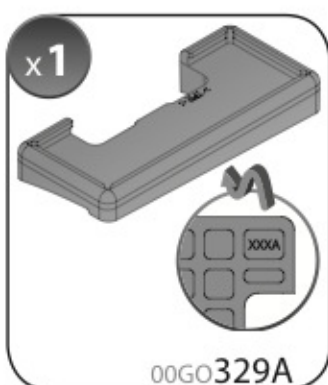
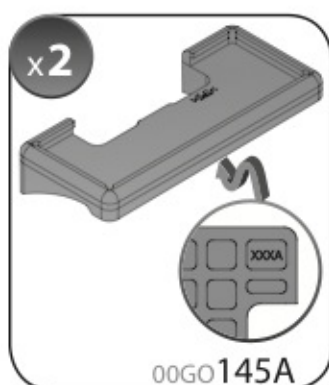


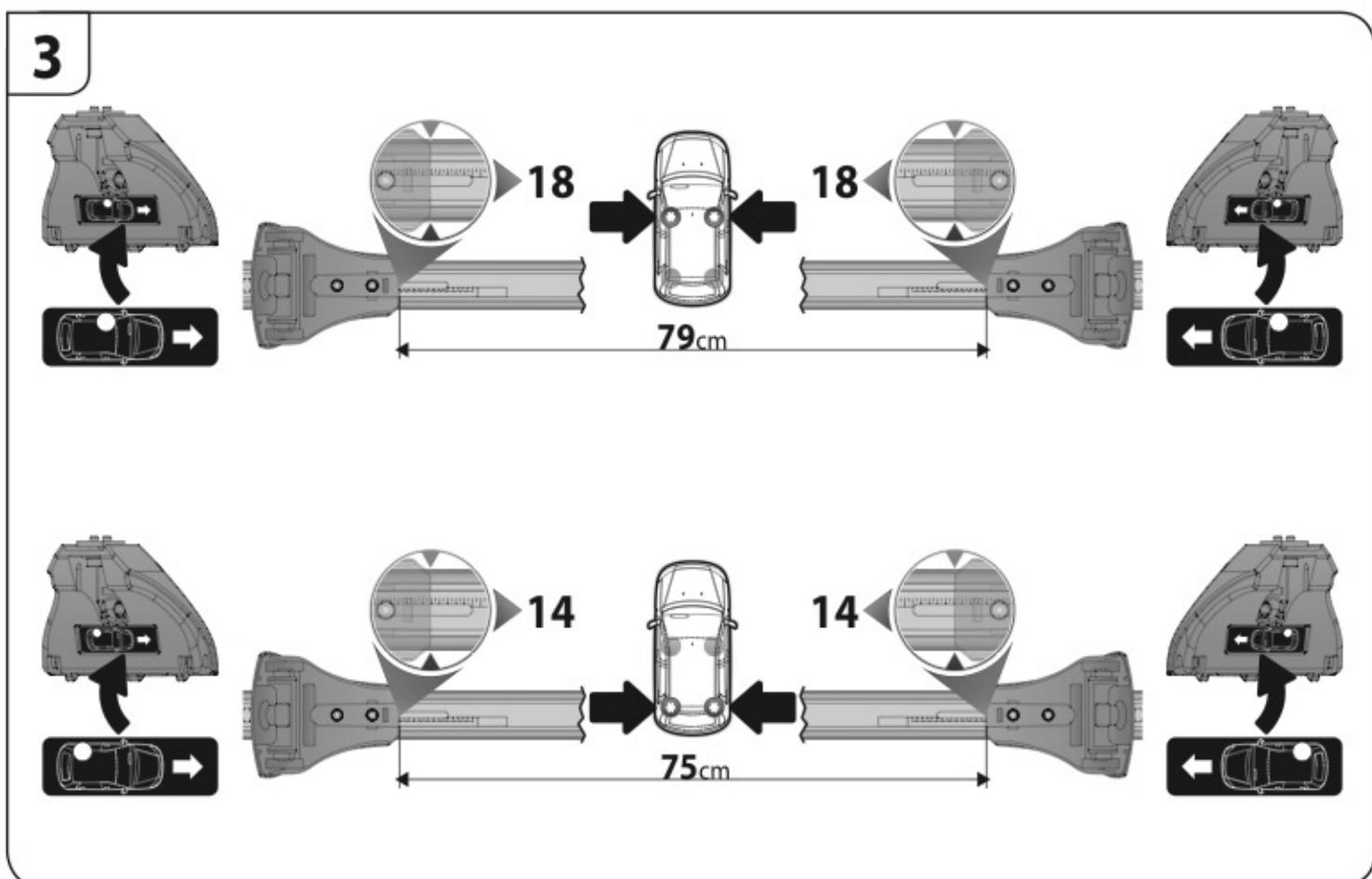
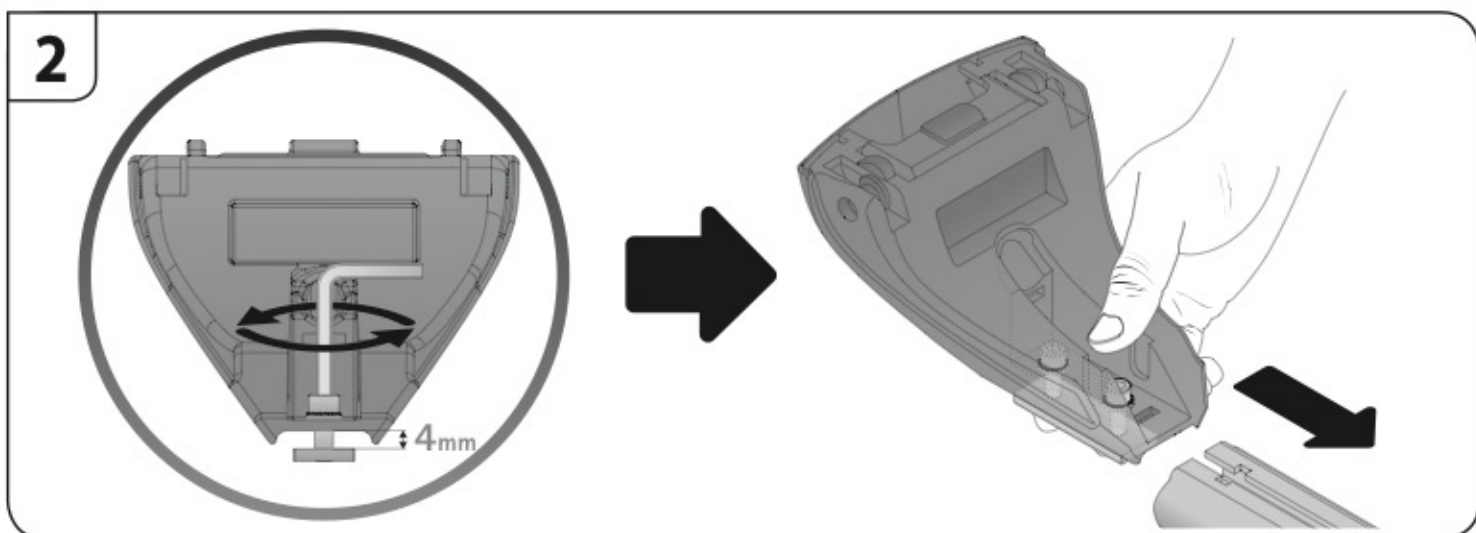
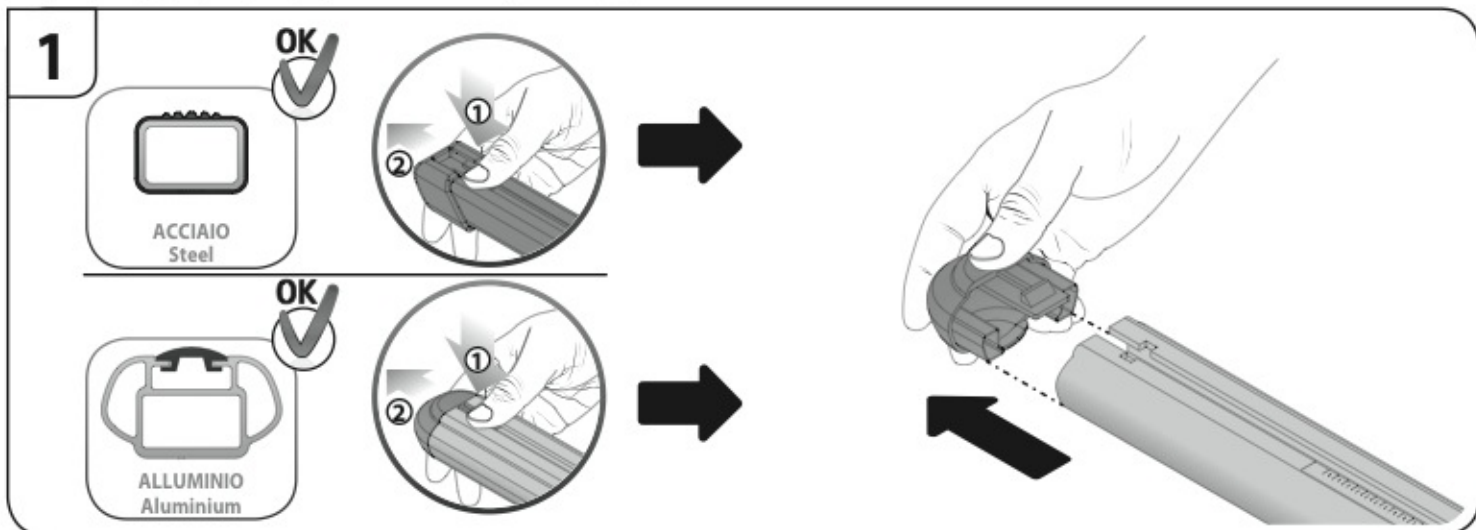


**MAZDA 2**  
(no railing)

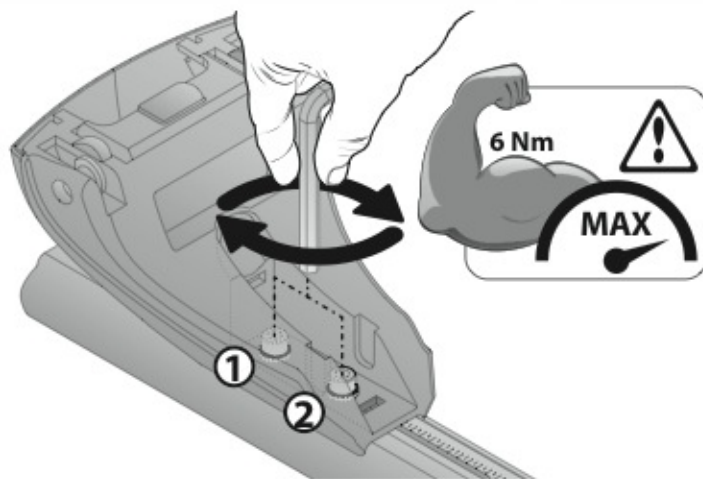
 5/03→9/07

Art. **N21051**

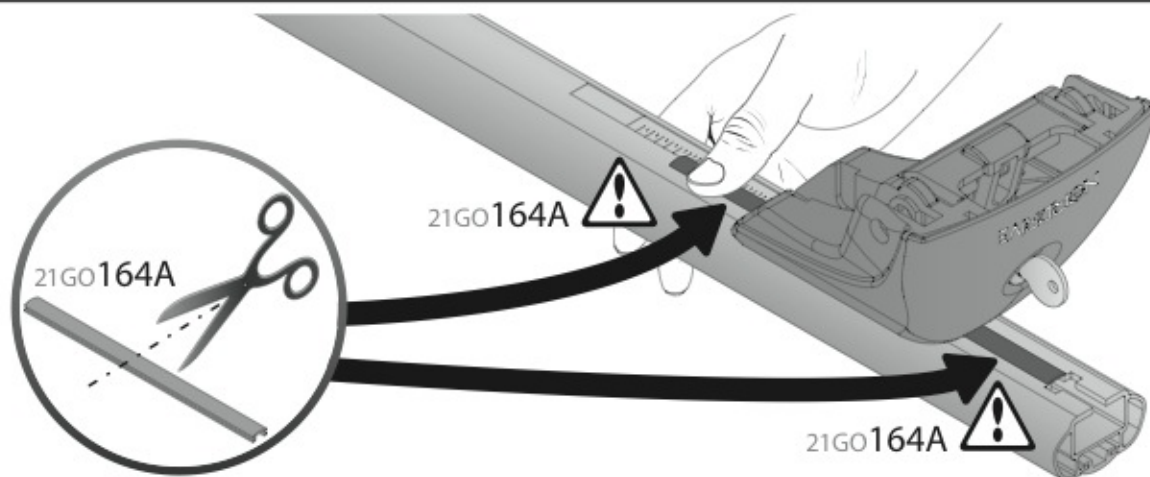




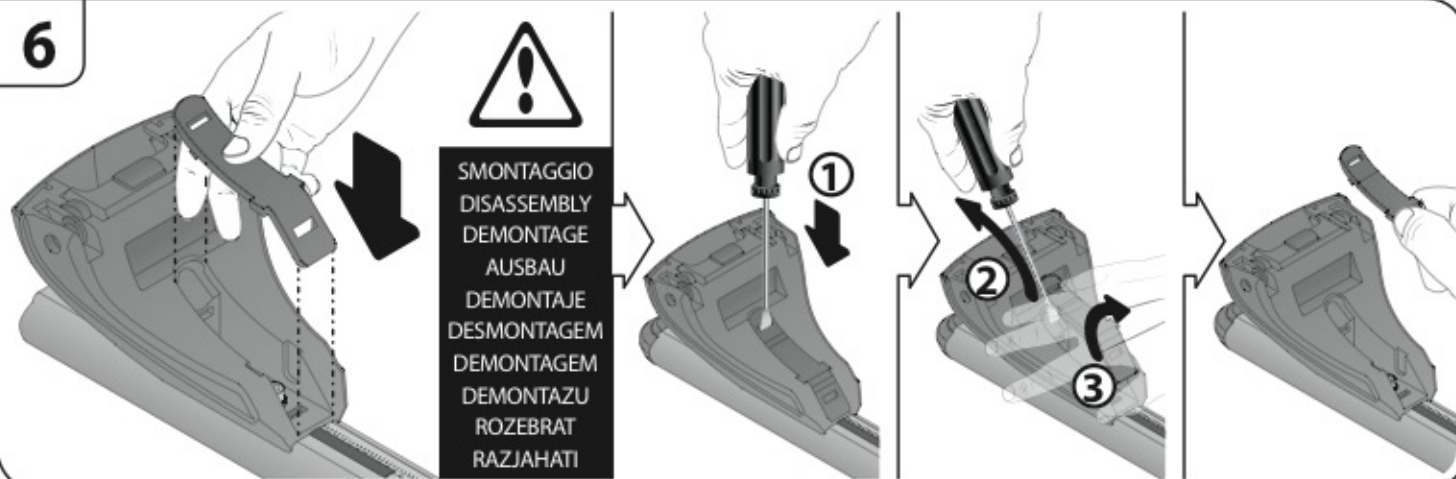
4



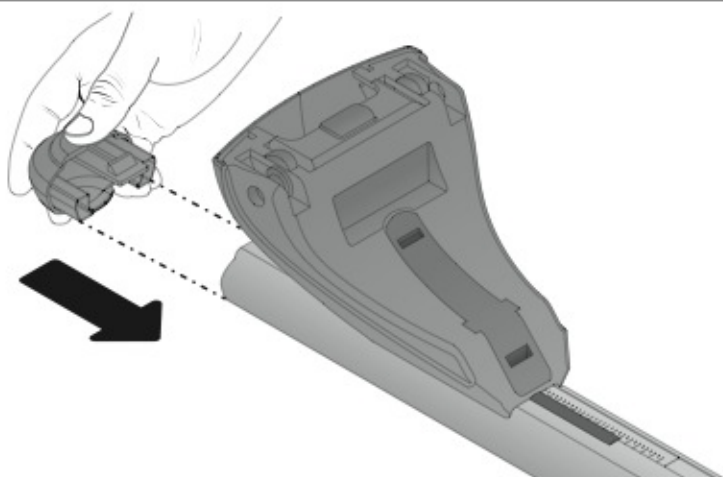
5

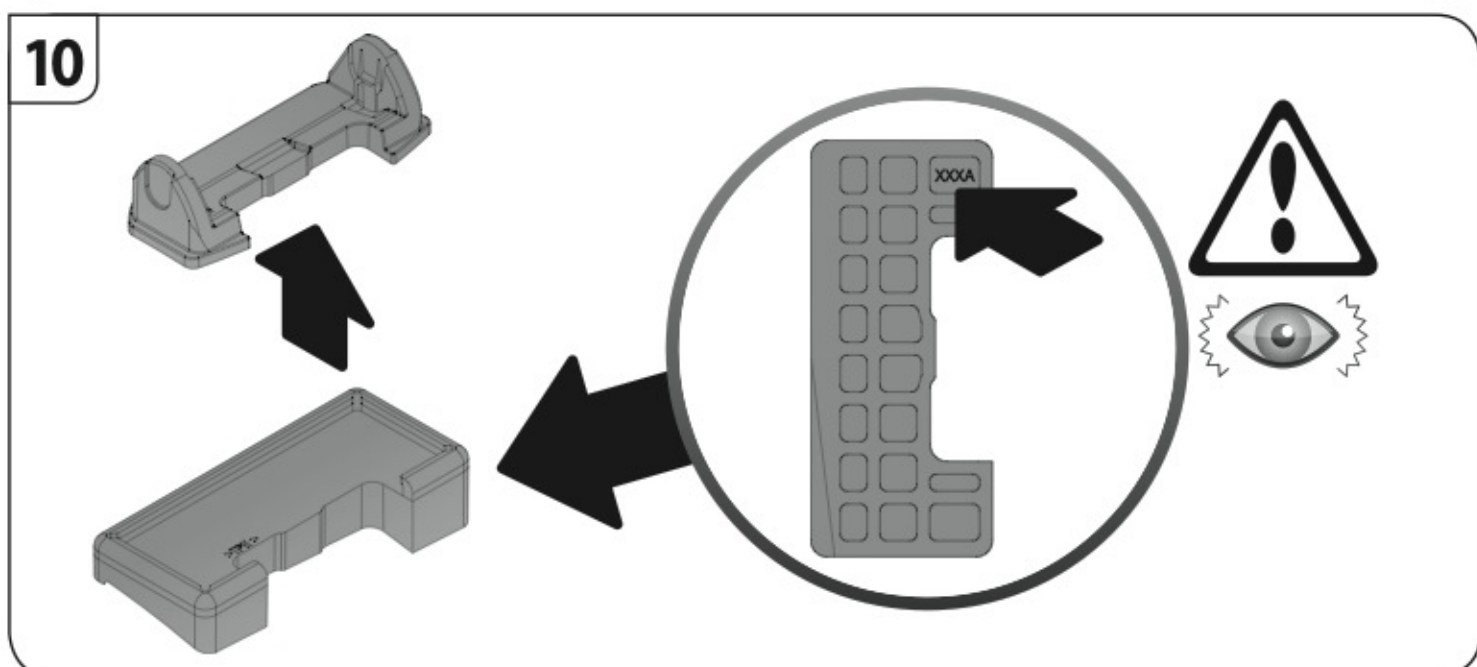
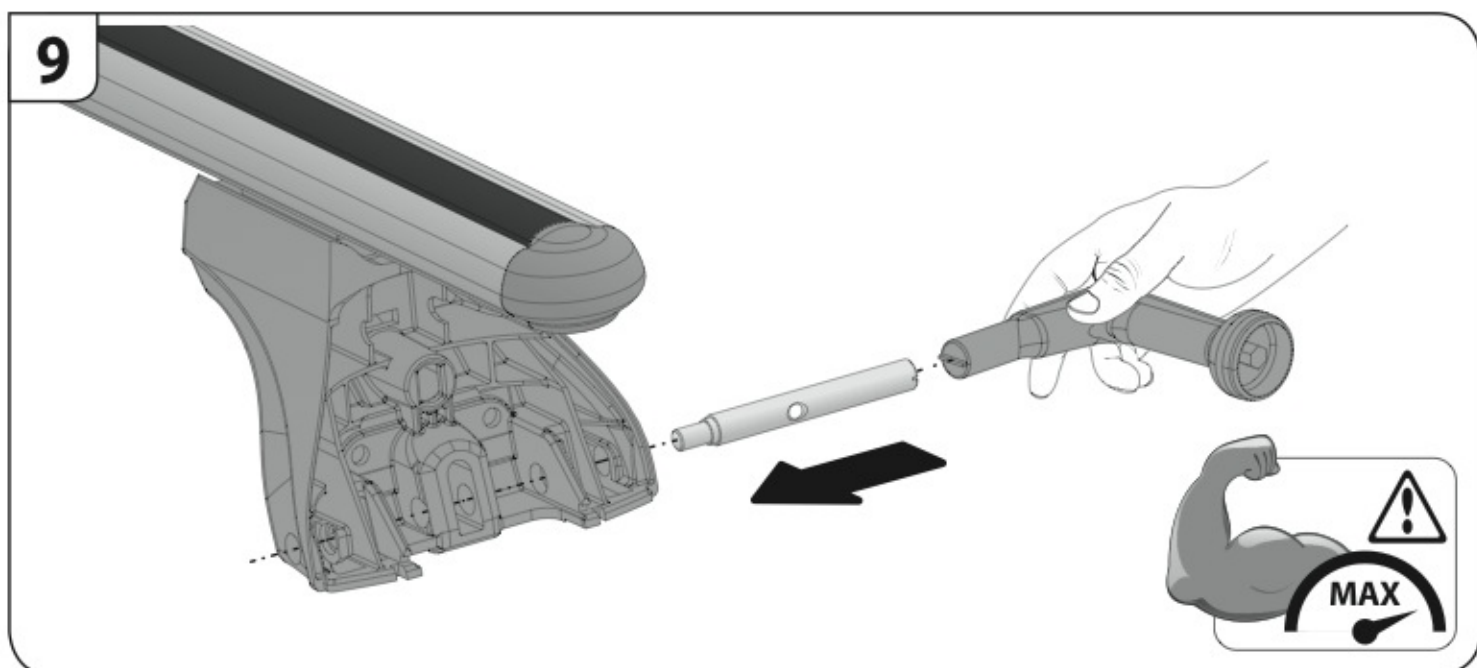
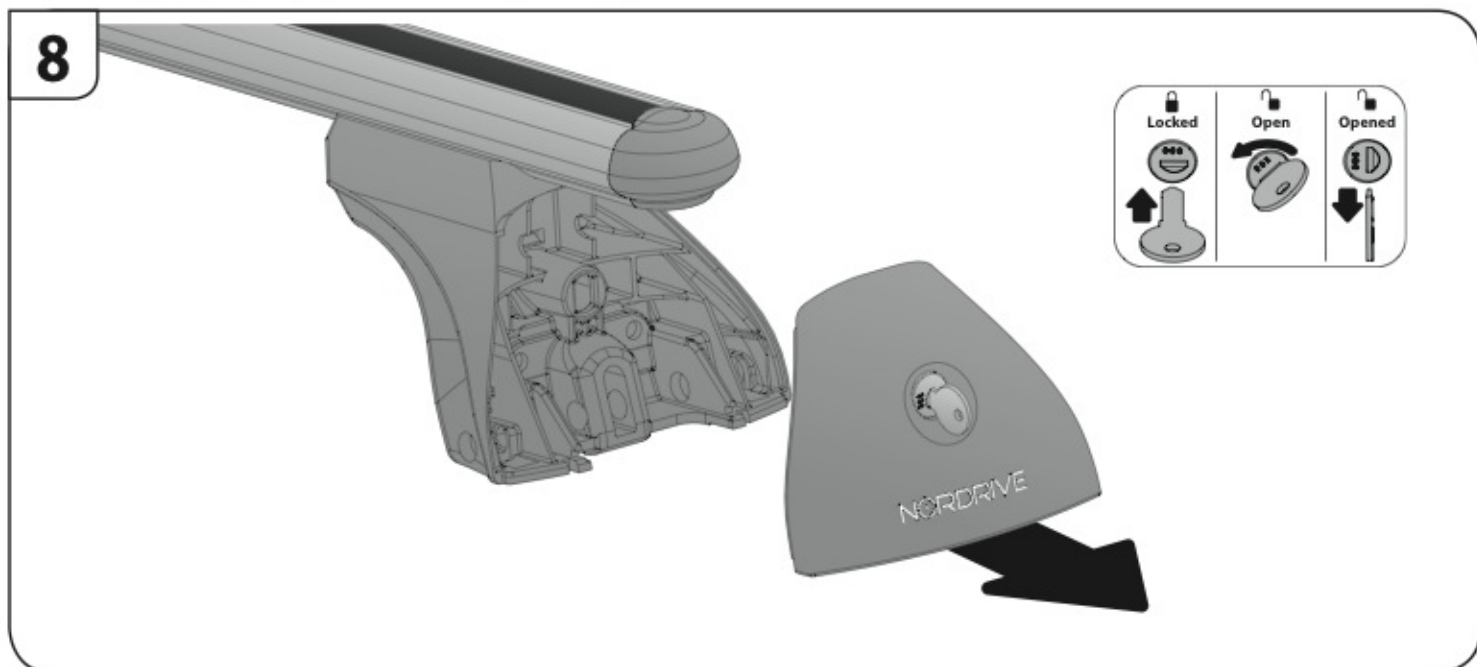


6

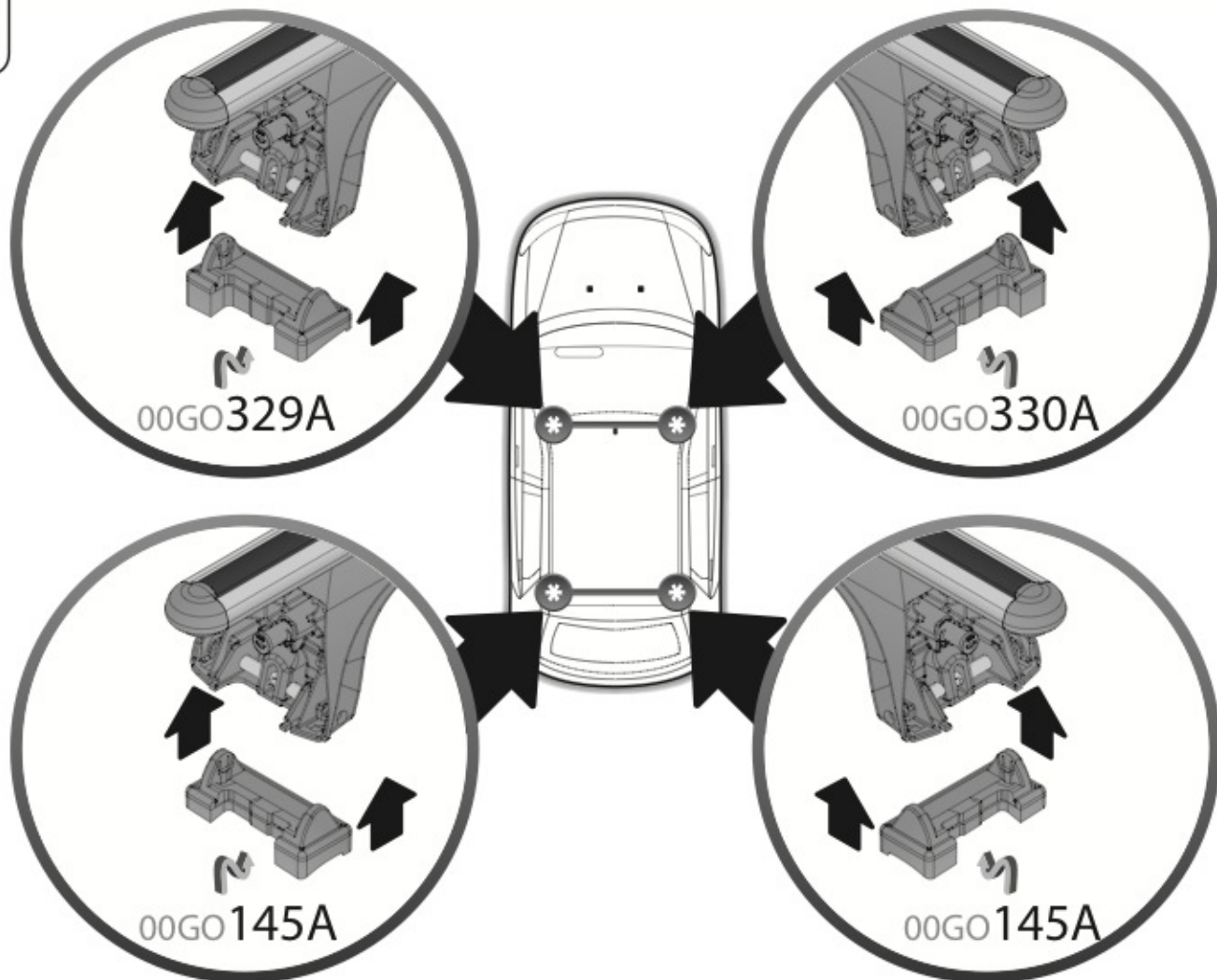


7

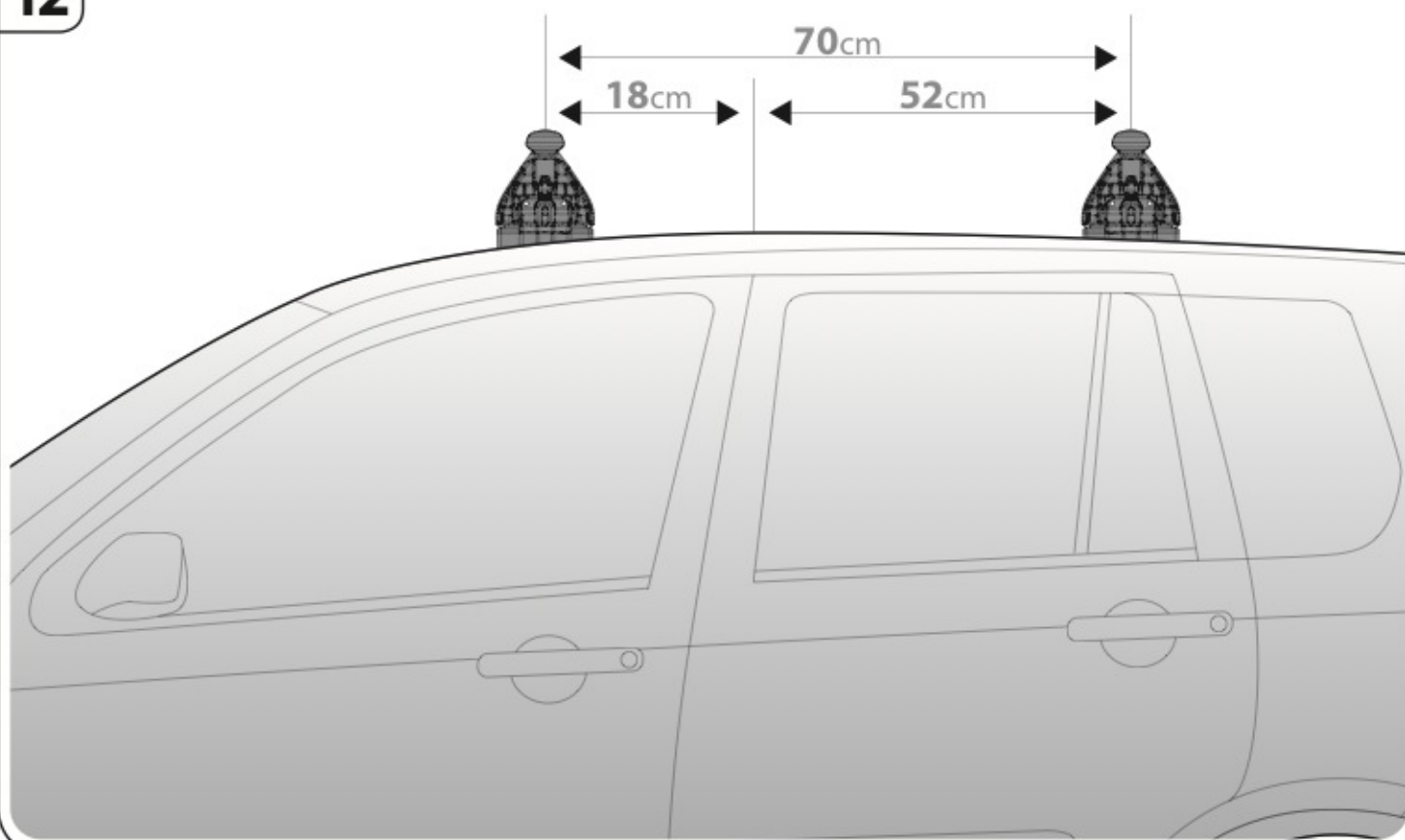




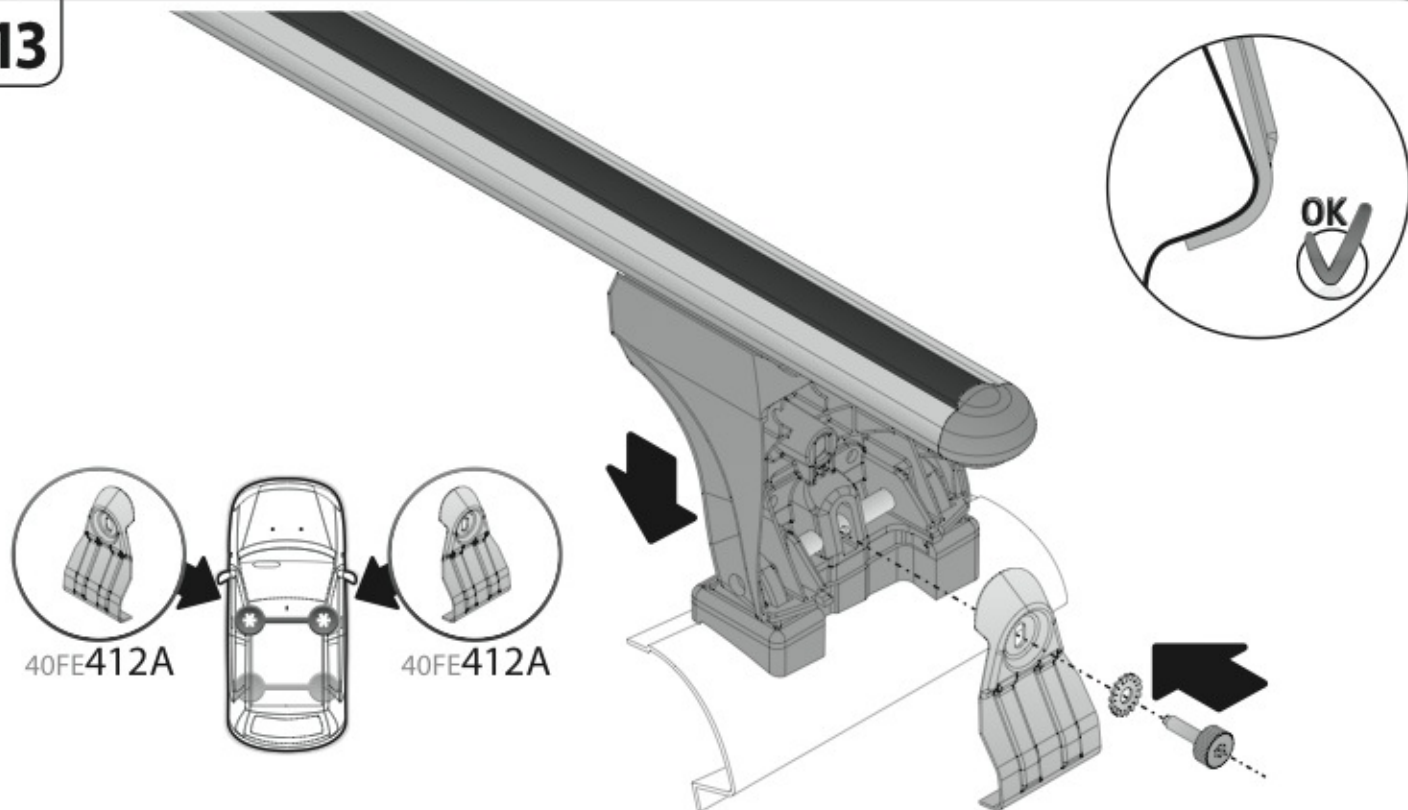
11



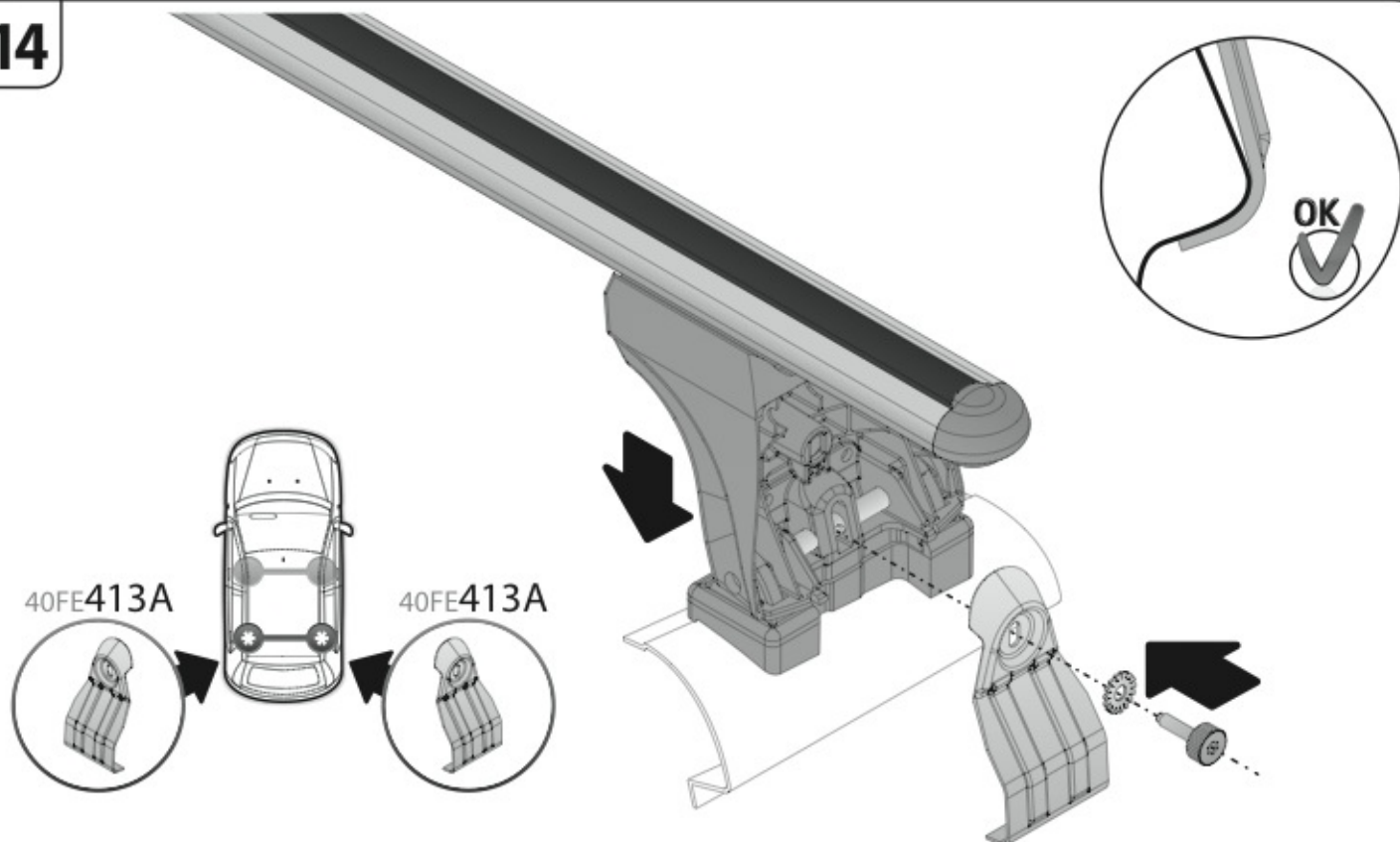
12



**13**

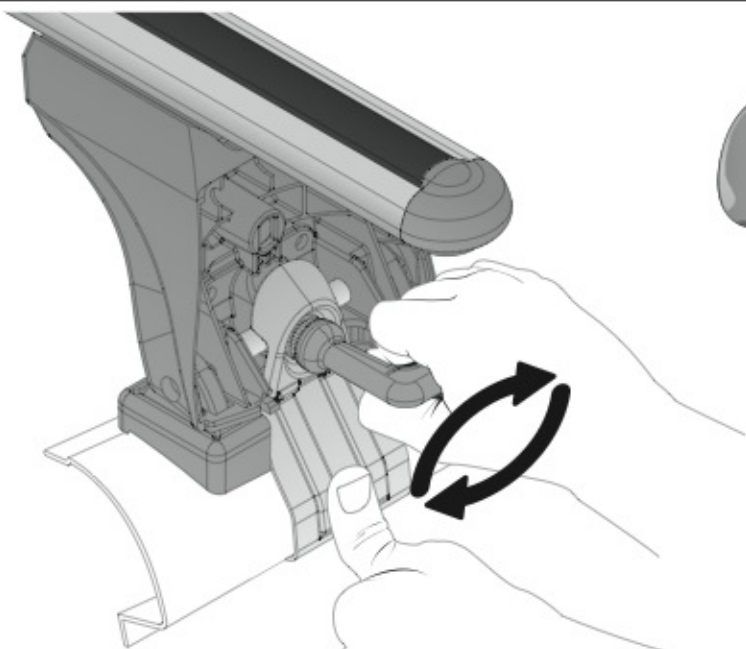
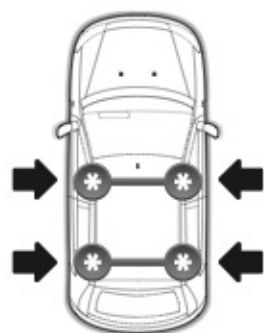


**14**

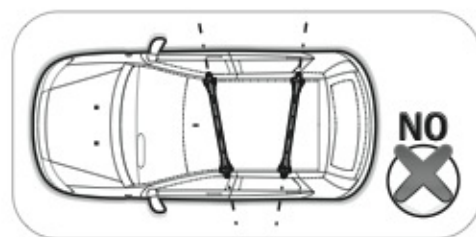
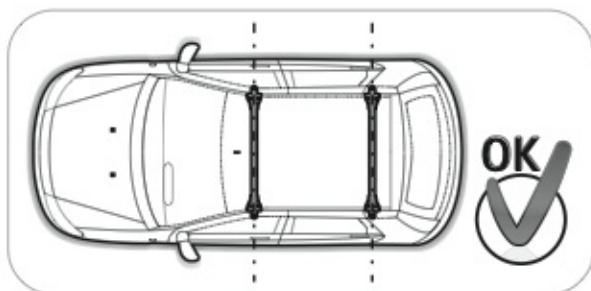
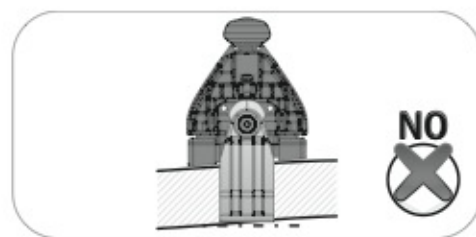
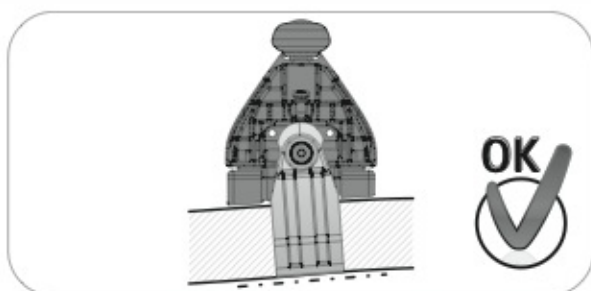




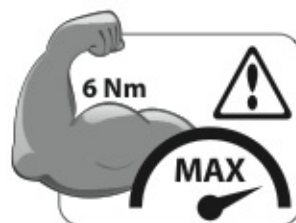
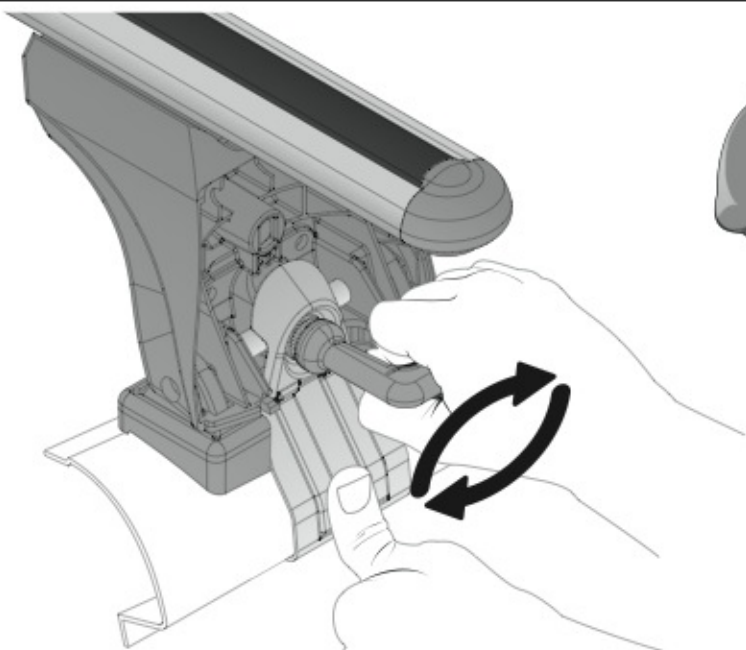
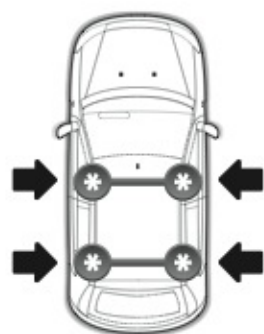
15



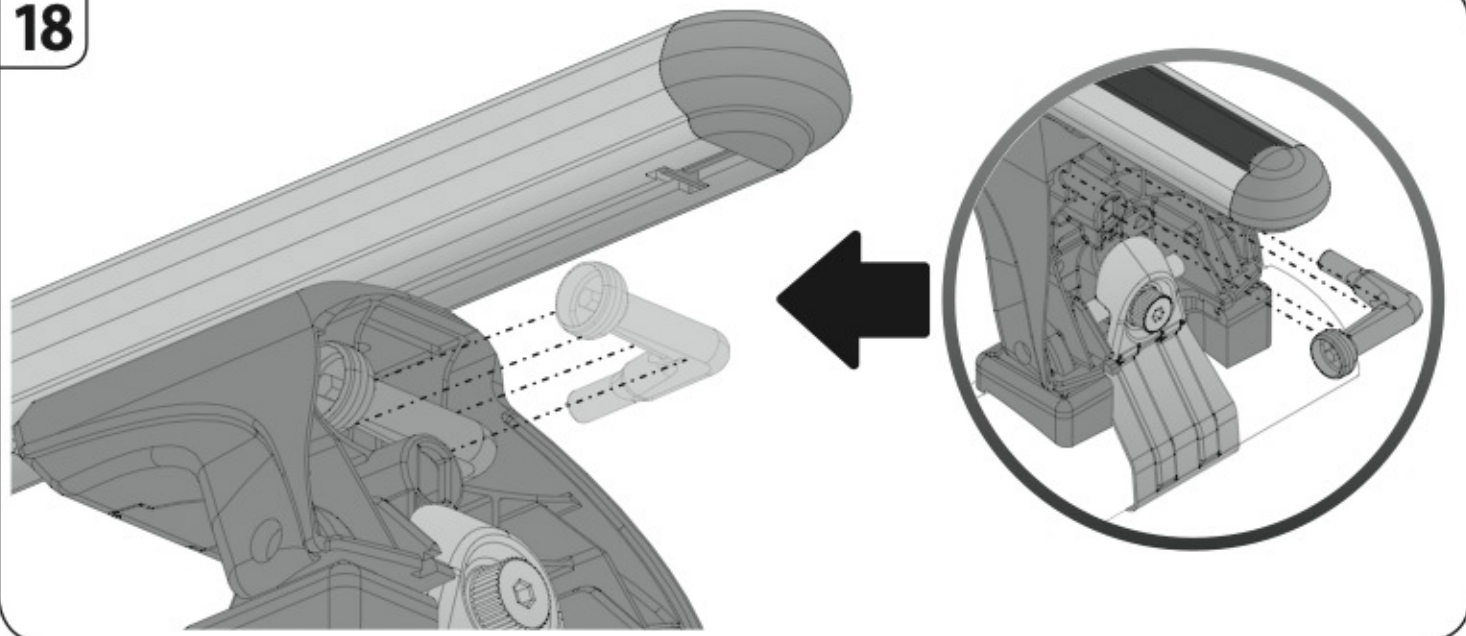
16



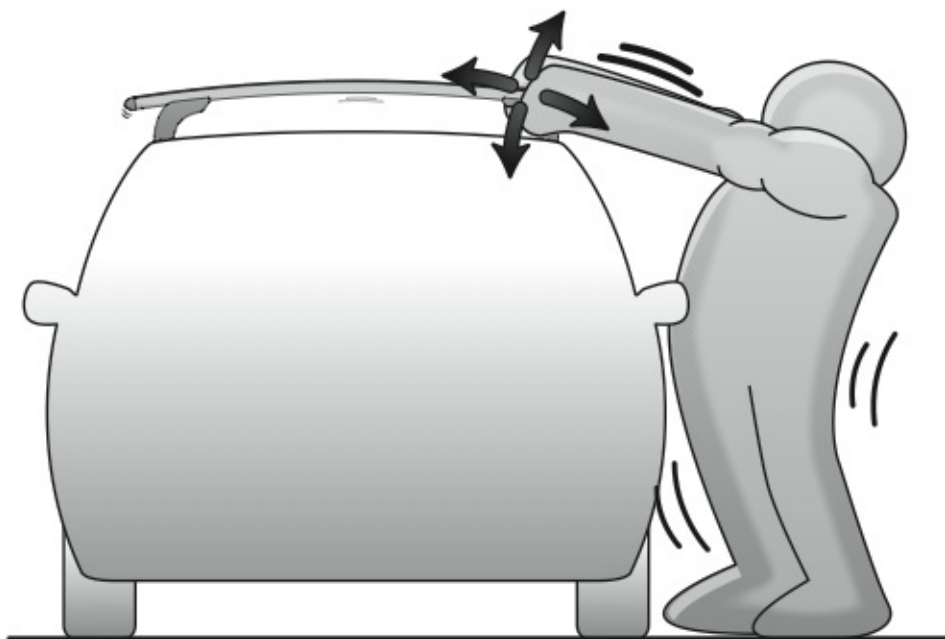
17



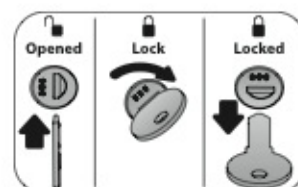
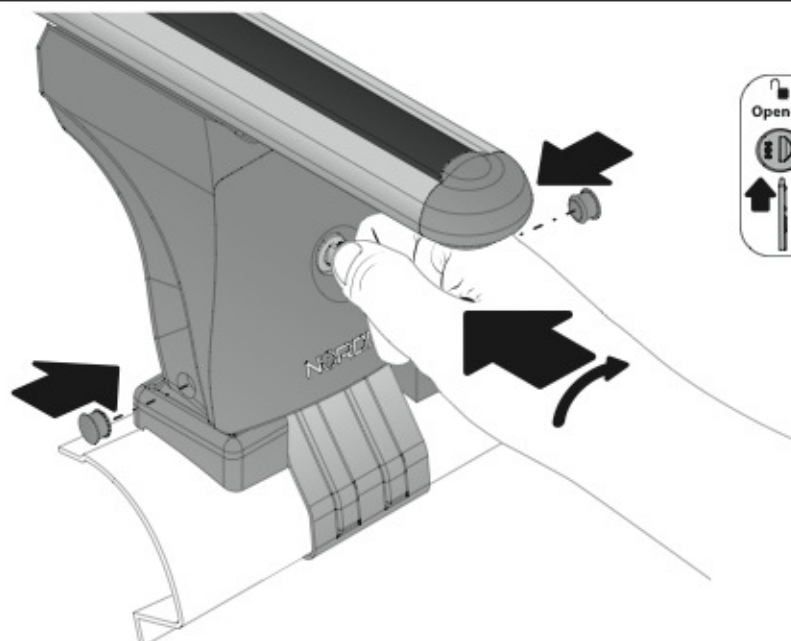
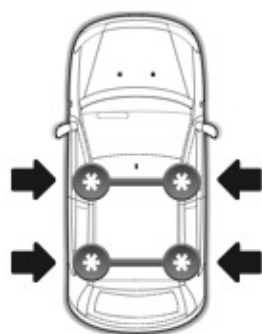
18



19



20





# EVOS

EVOLUZIONE ZERO SYSTEM

**NORDRIVE**<sup>®</sup>  
TRANSPORT SOLUTIONS

is a registered trade mark of

**LAMPA S.p.A.**

46019 Viadana (MN) ITALY

Ditta certificata UNI EN ISO 9001:2008

[www.nordrive.it](http://www.nordrive.it)

[www.lampa.it](http://www.lampa.it)