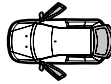


EVOS

NORDDRIVE

TRANSPORT SOLUTIONS

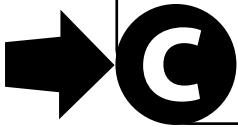
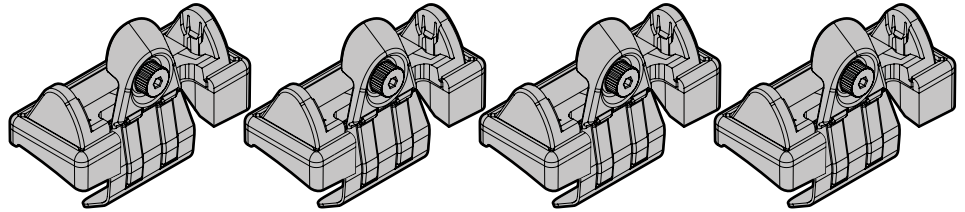
VOLKSWAGEN
FOX



05/05 → 12/10

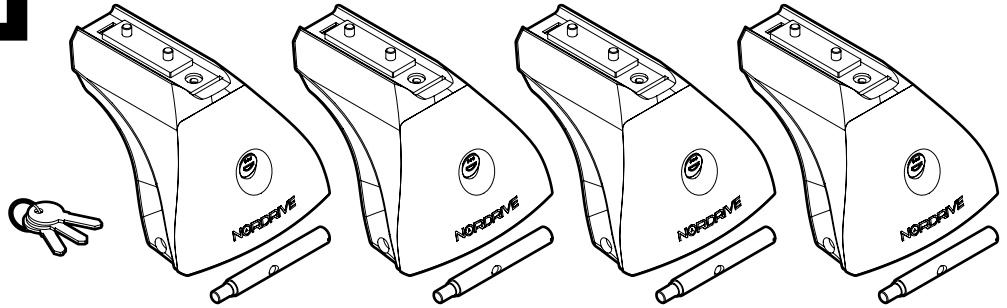


Art. N21054



+

Art. N20001

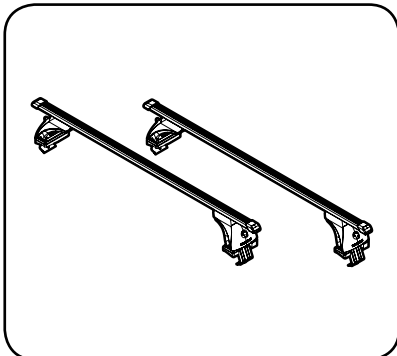


Art. N15020 **M**

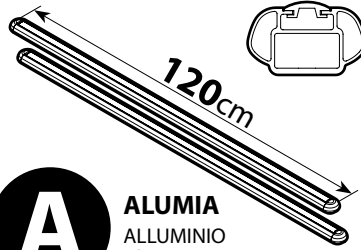


A QUADRA
ACCIAIO
Steel

=

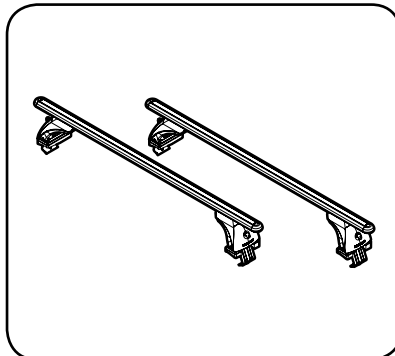


Art. N15025 **M**

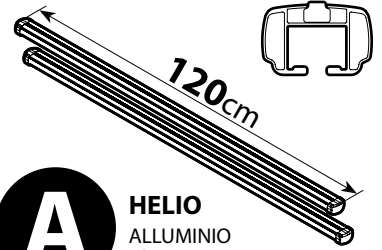


A ALUMIA
ALLUMINIO
Aluminium

=

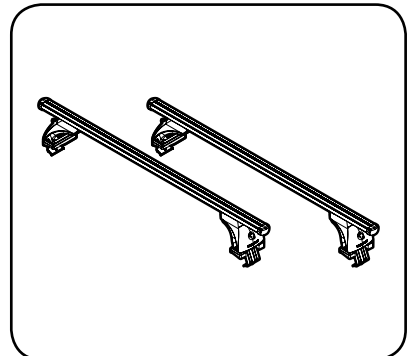


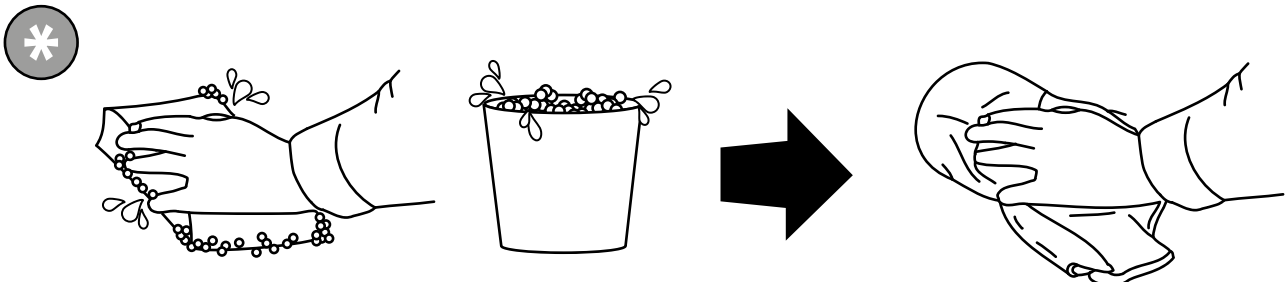
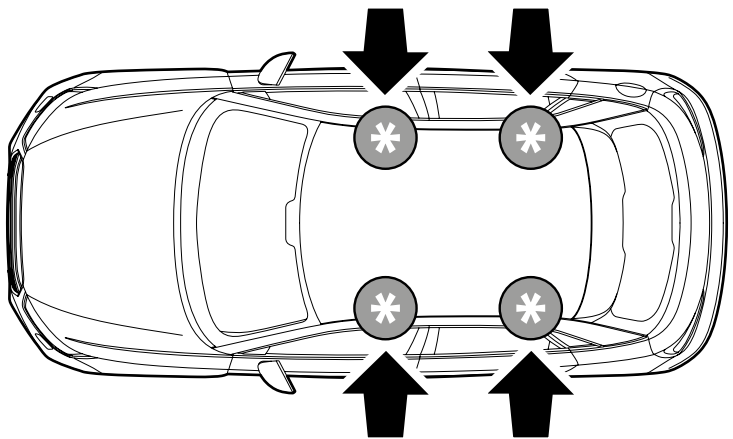
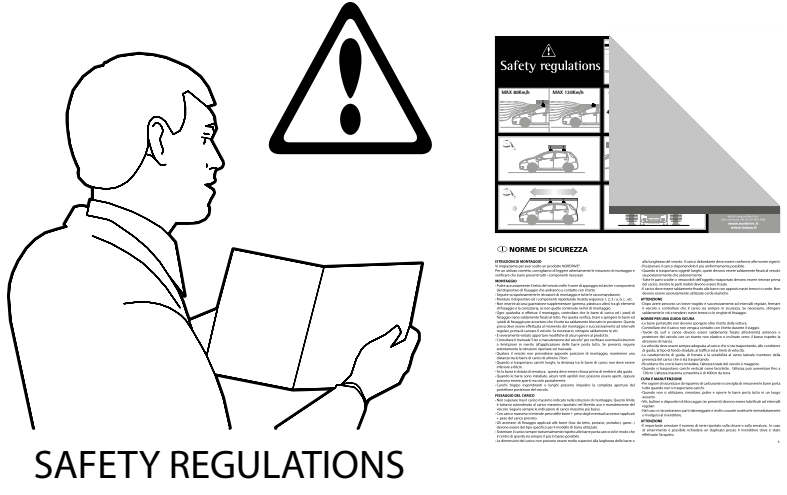
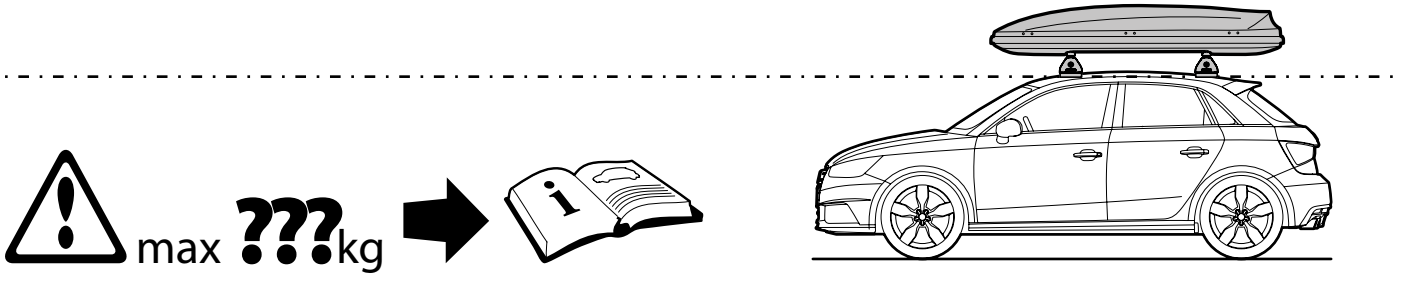
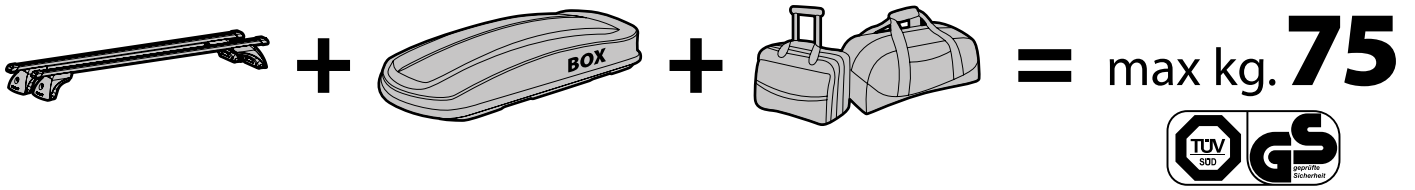
Art. N15075 **M**

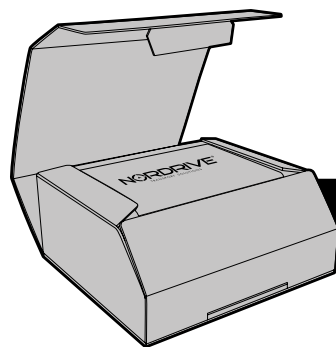


A HELIO
ALLUMINIO
Aluminium

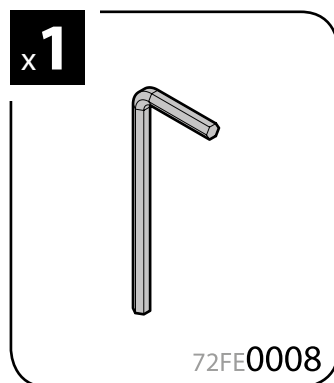
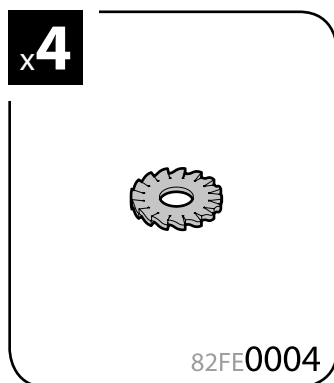
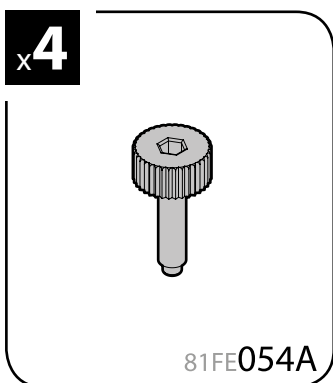
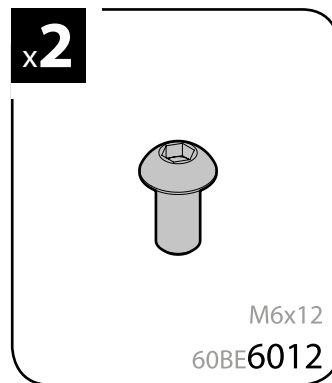
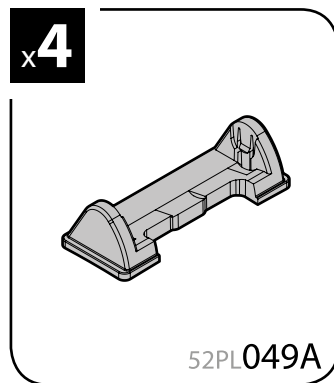
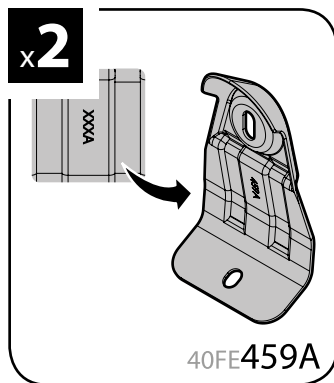
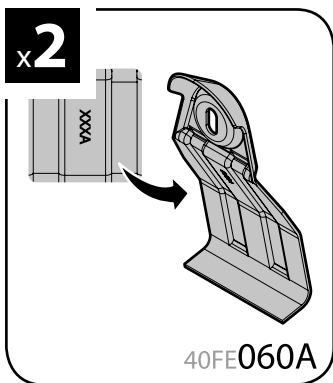
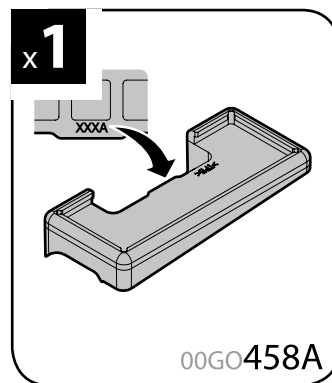
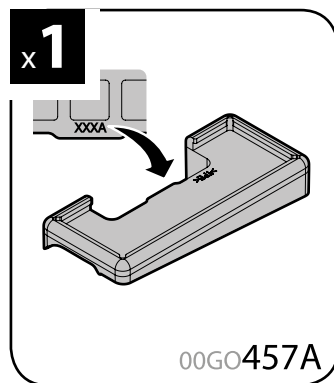
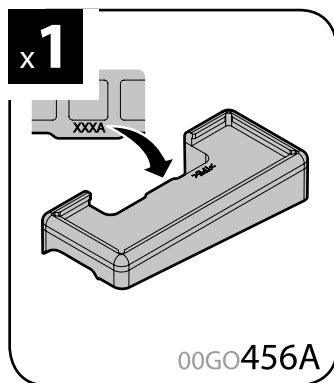
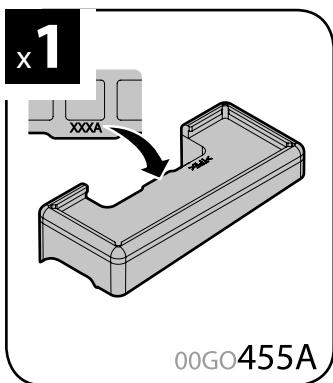
=

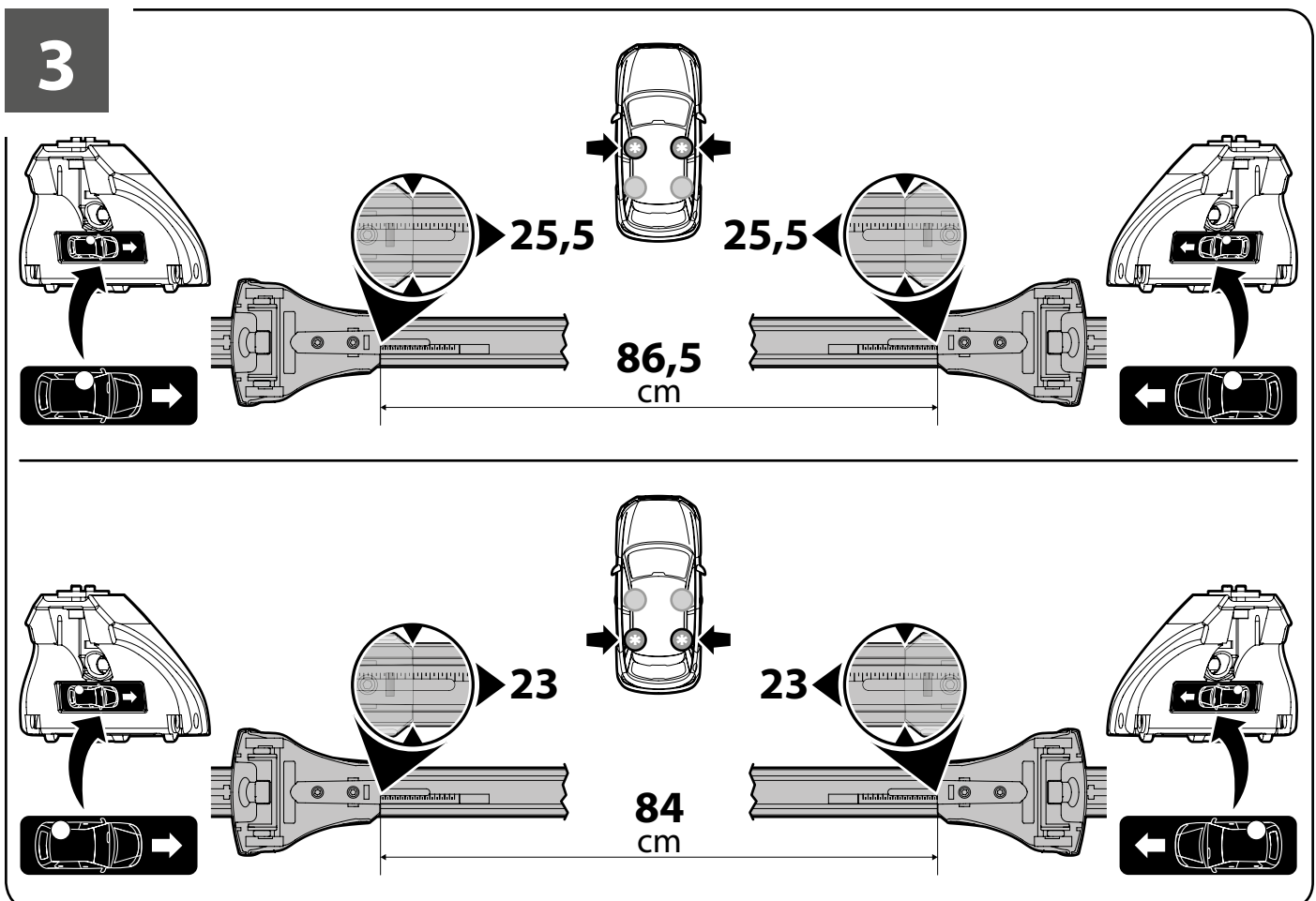
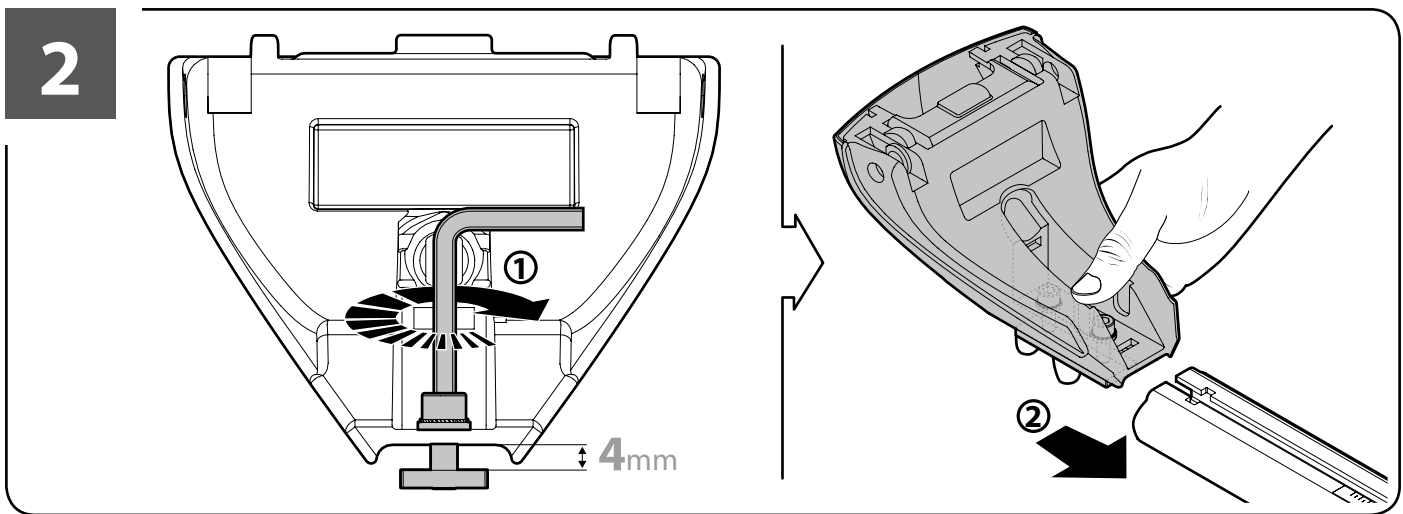
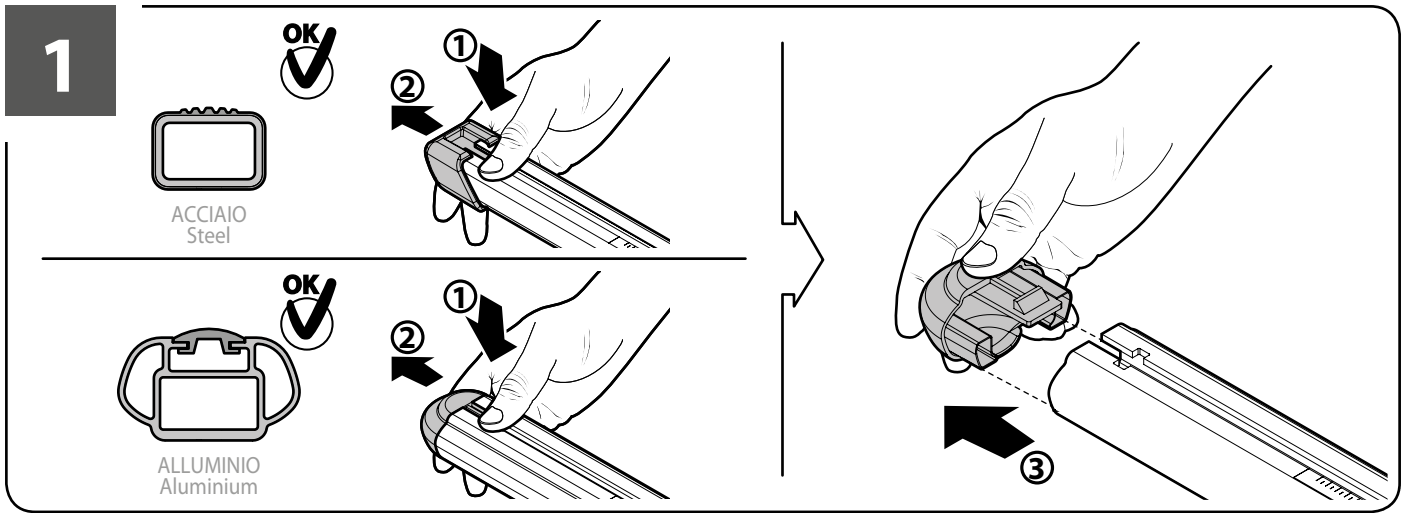




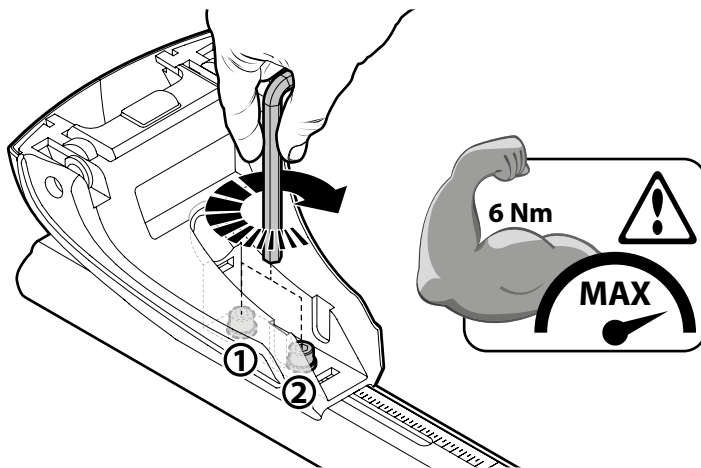


Art. **N21054**

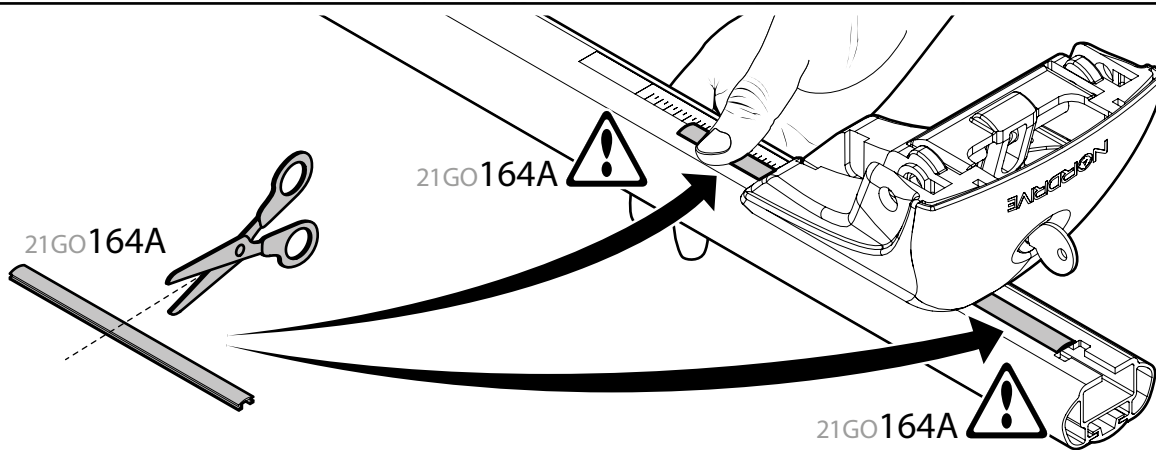




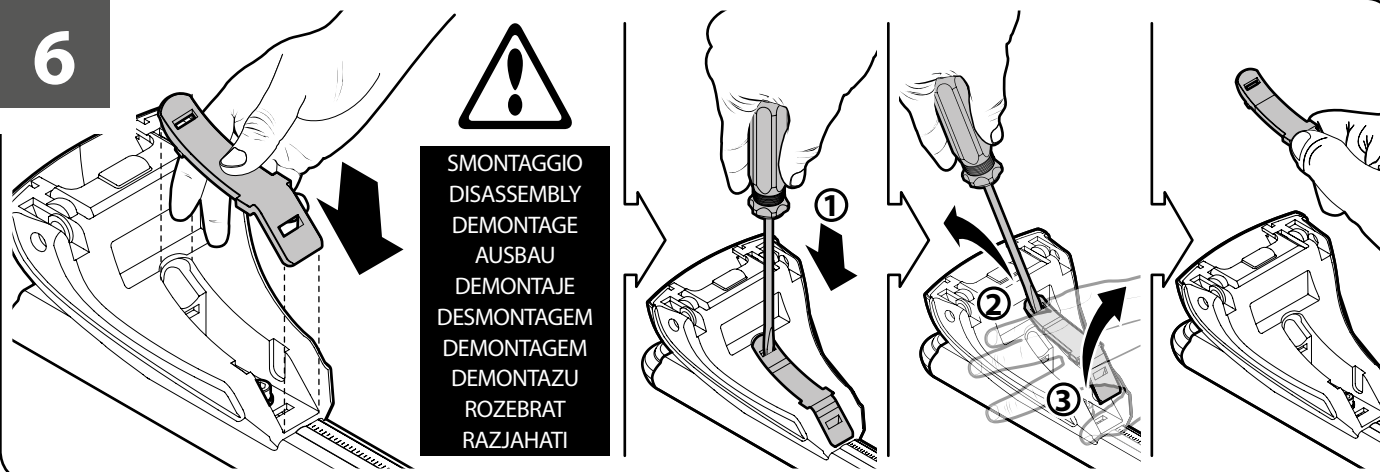
4



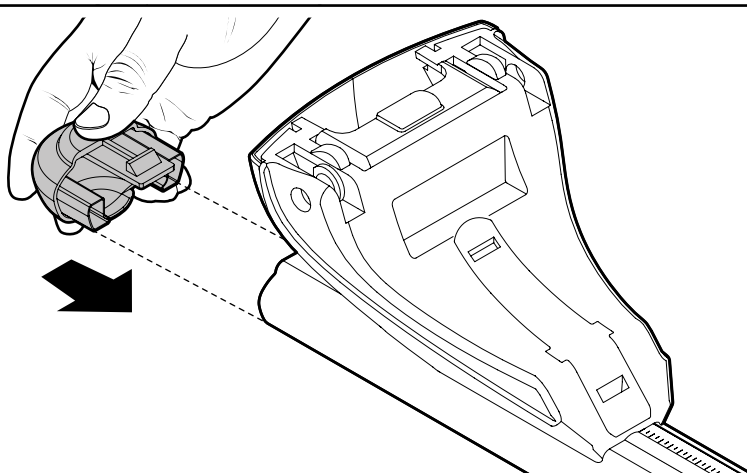
5

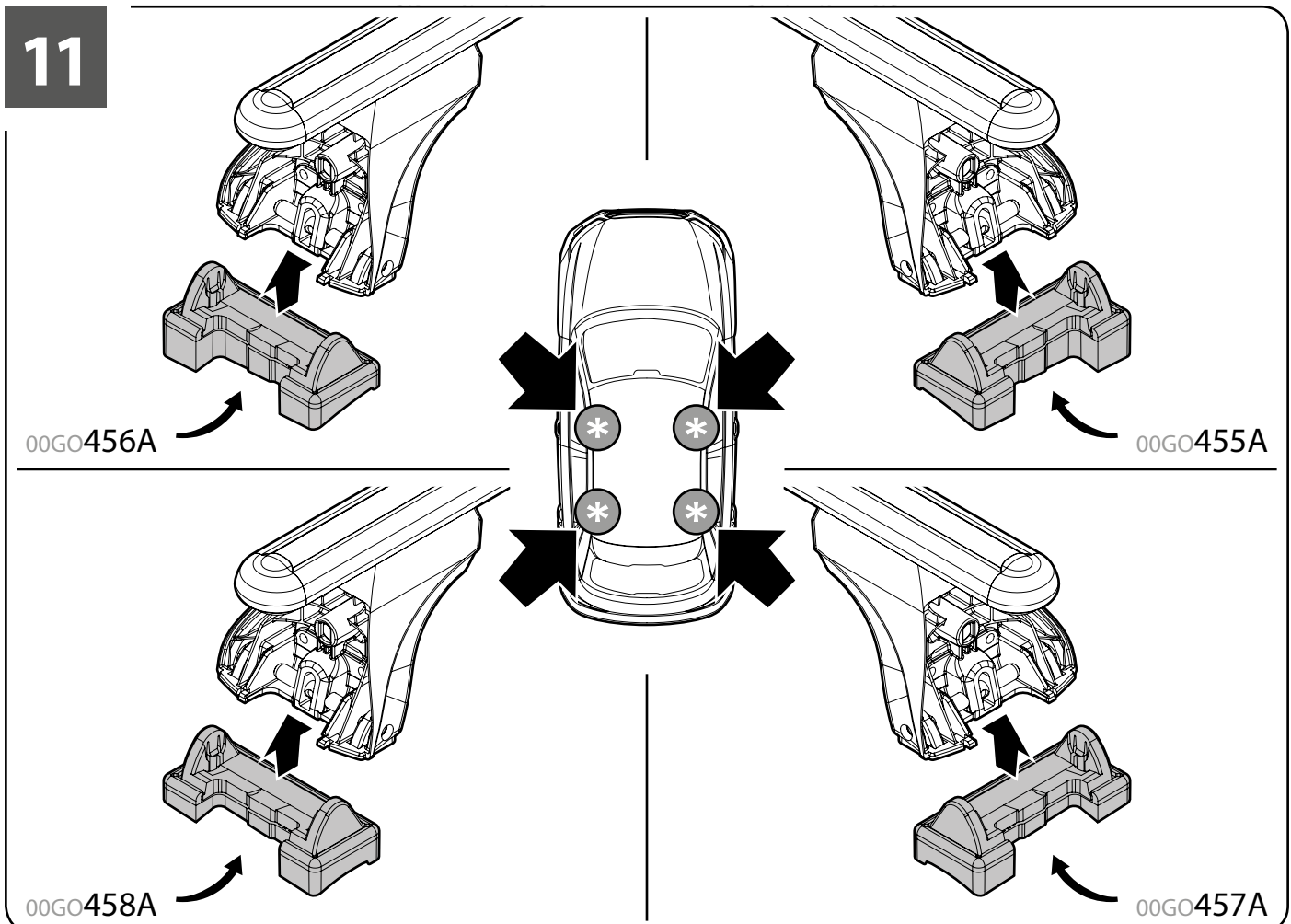
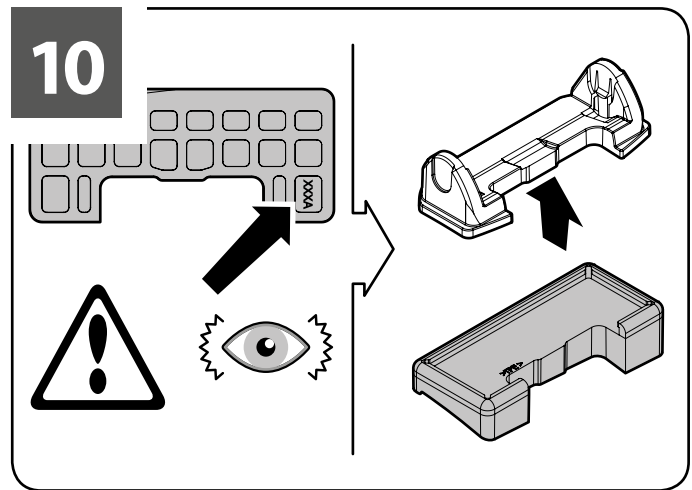
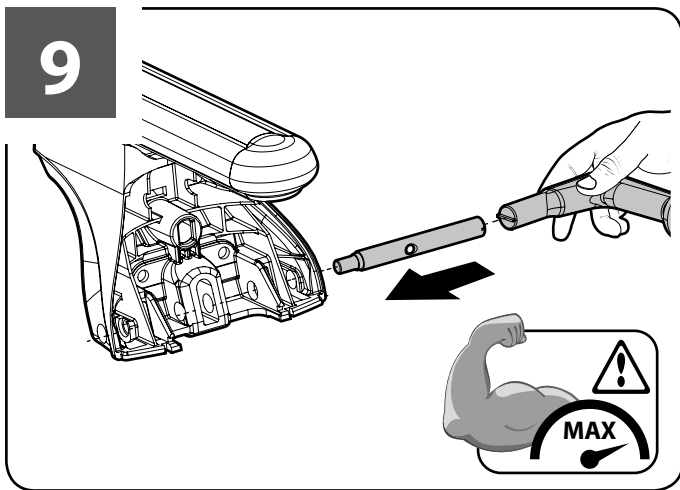
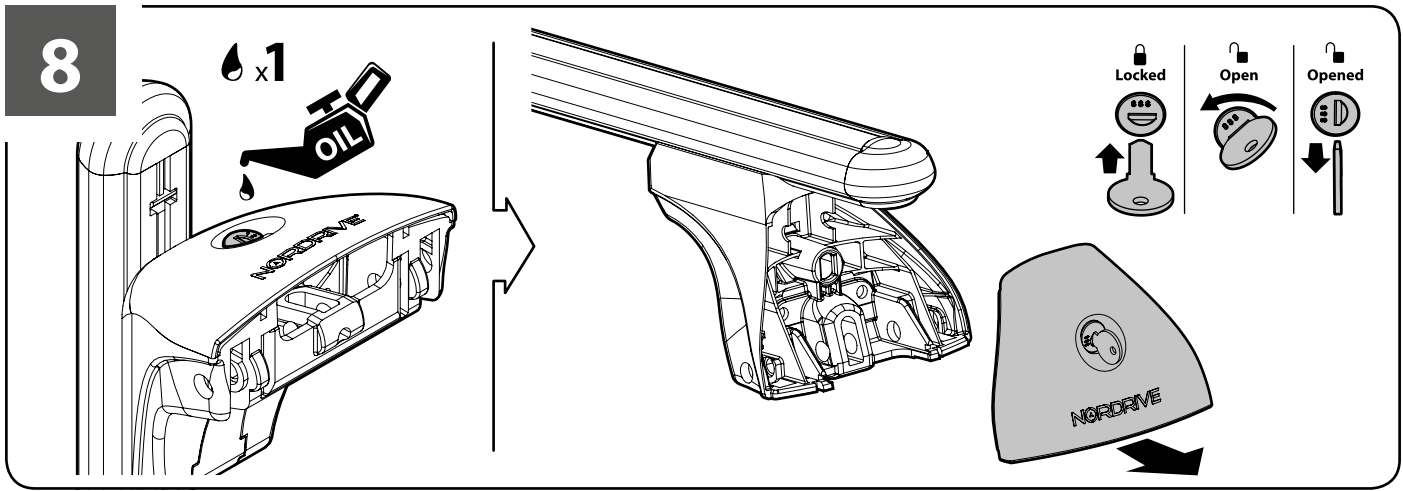


6

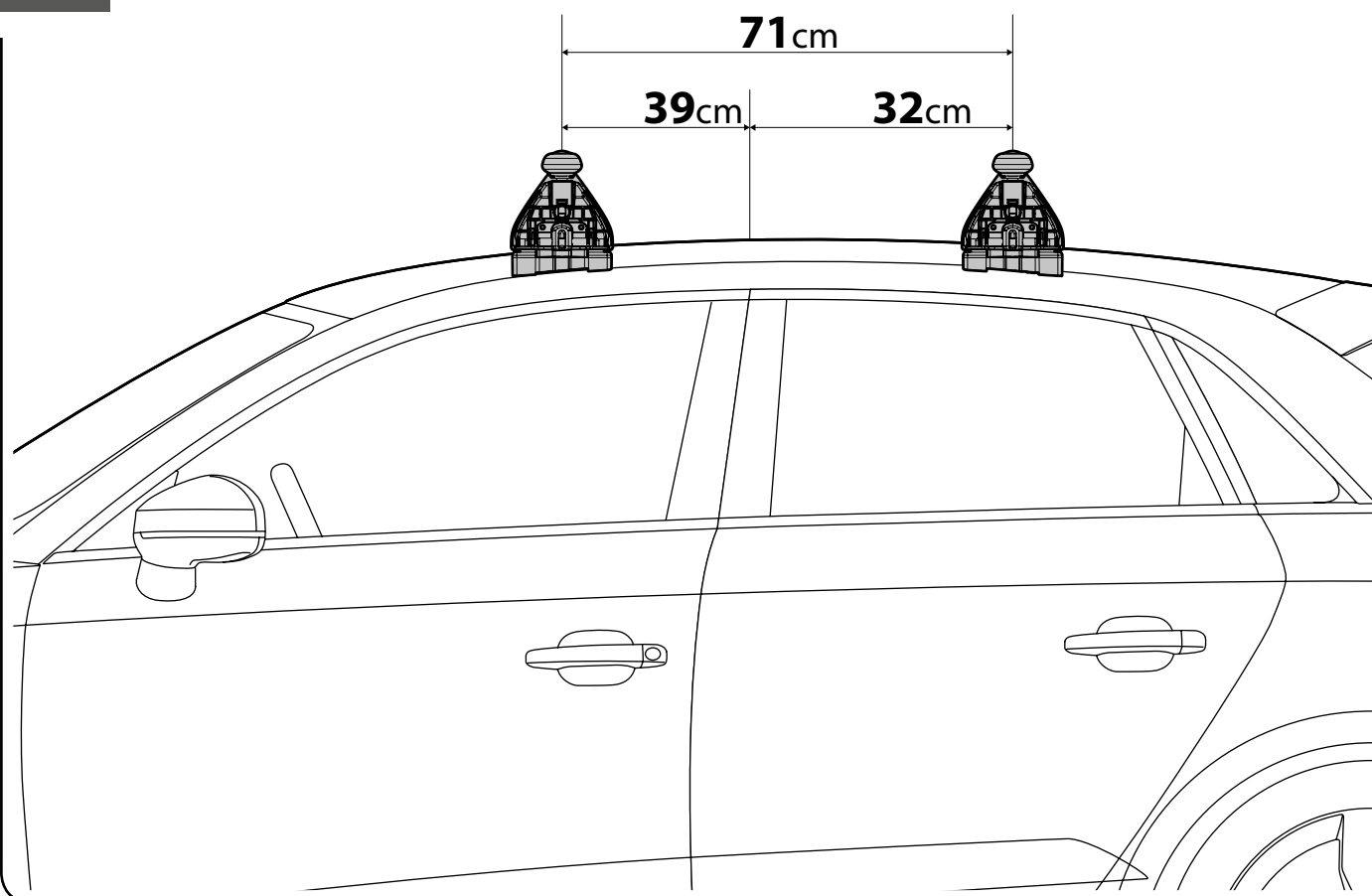


7

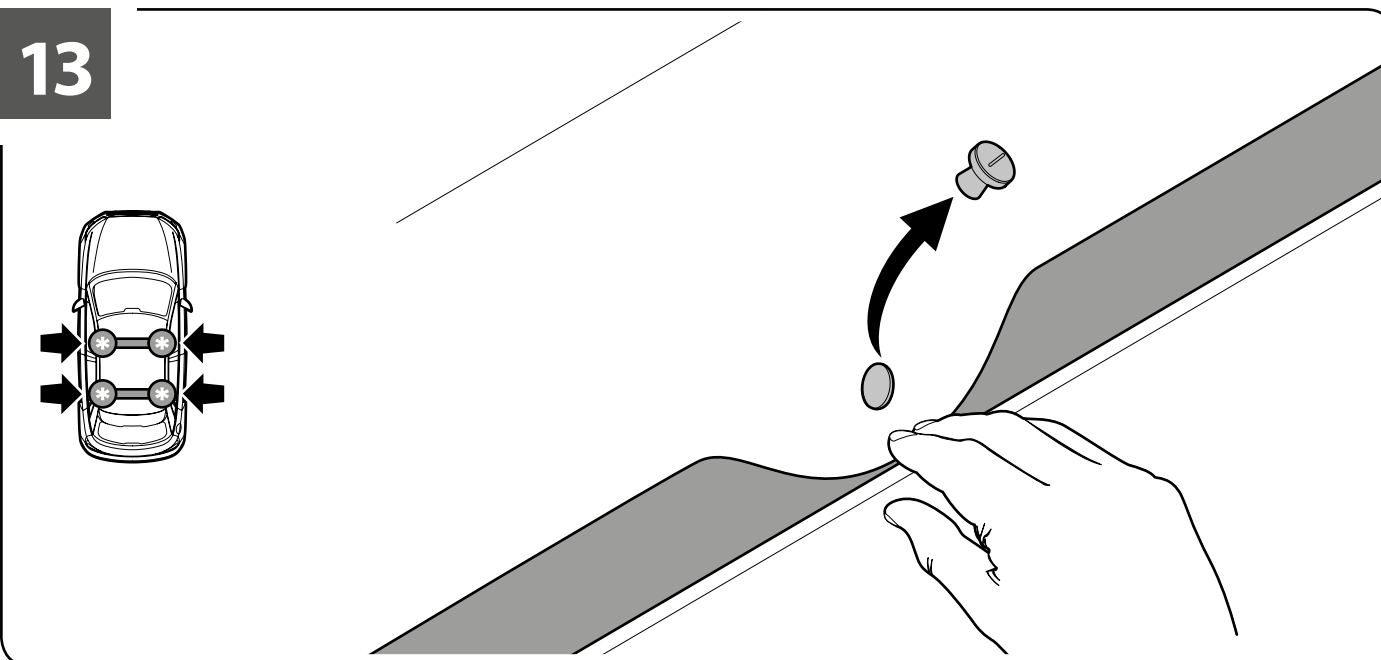




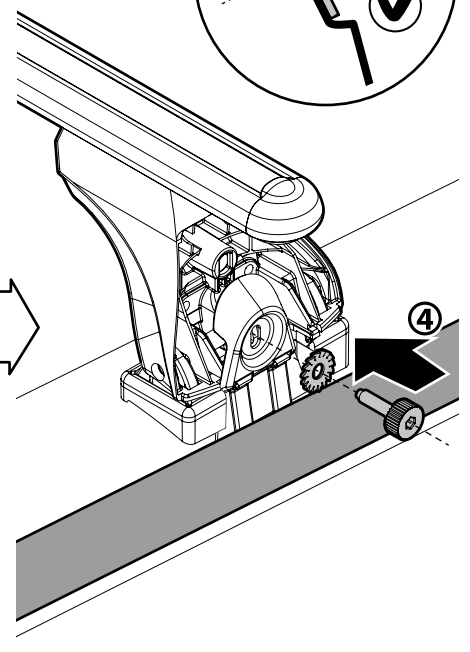
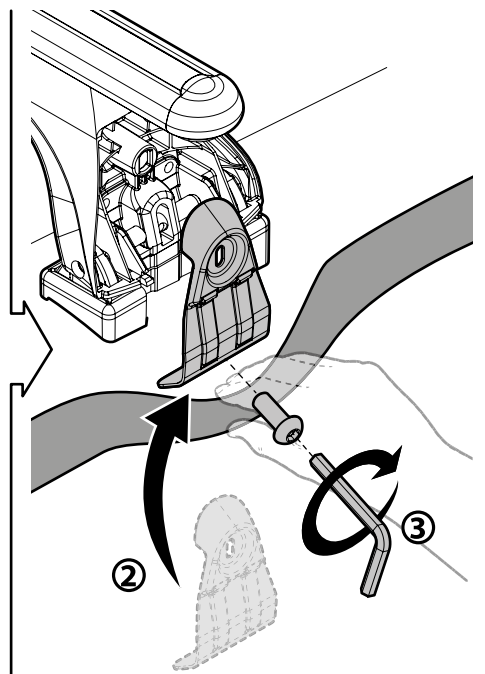
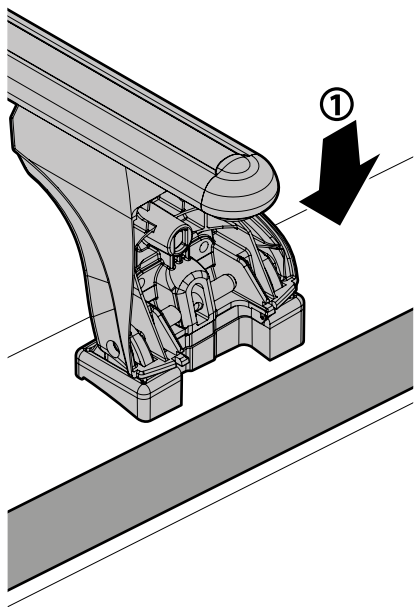
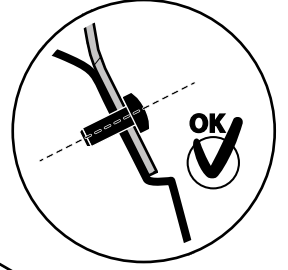
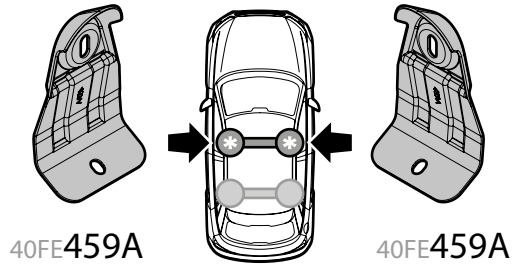
12



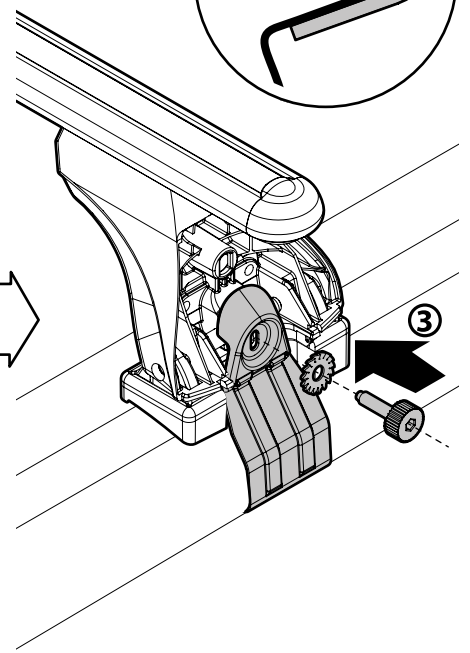
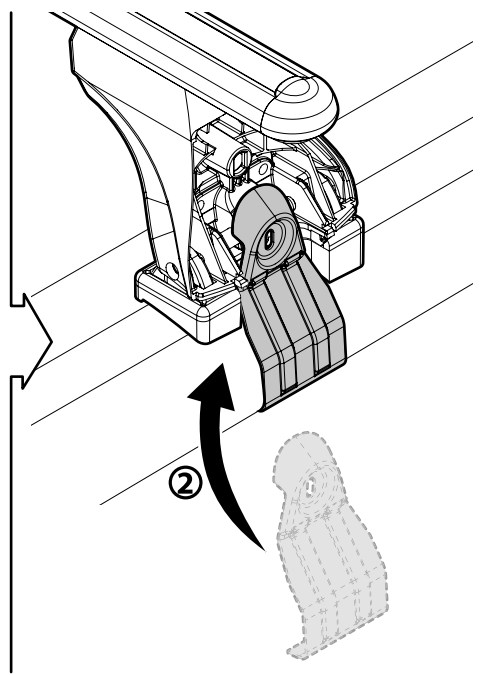
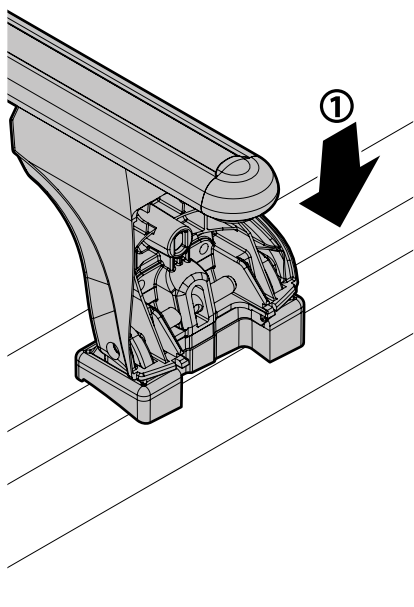
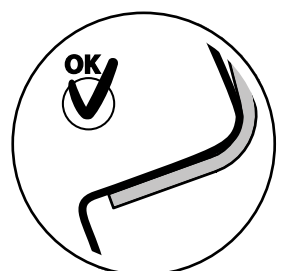
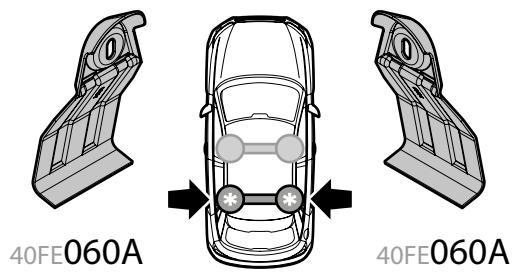
13



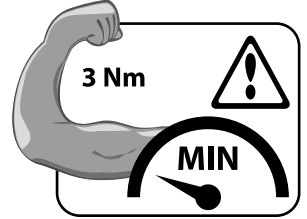
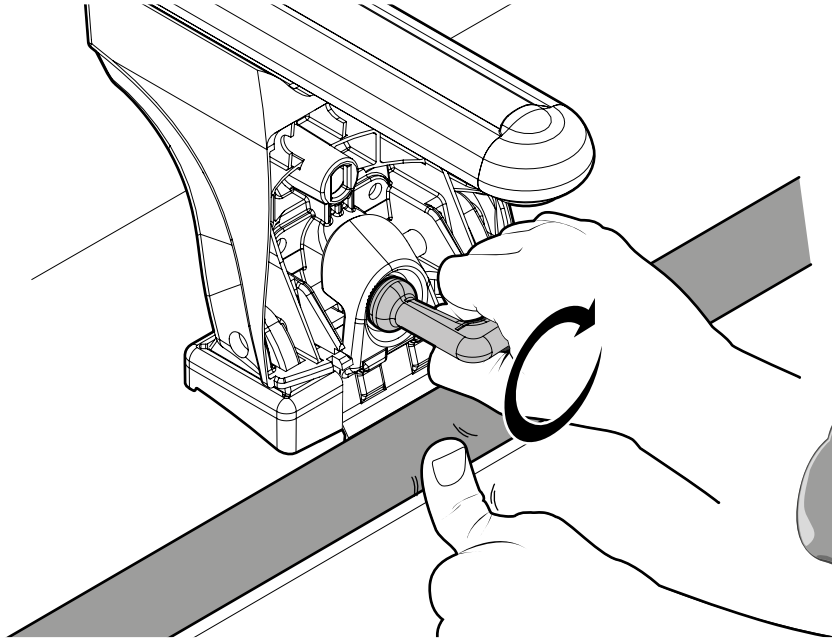
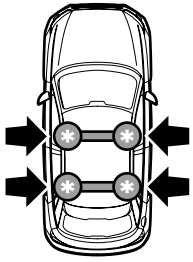
13



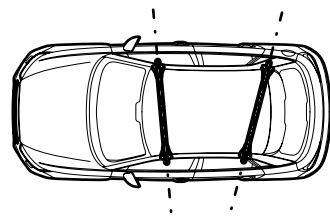
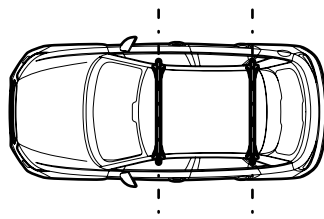
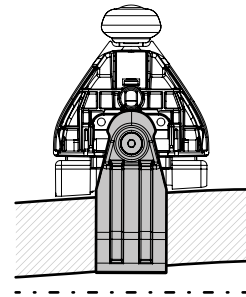
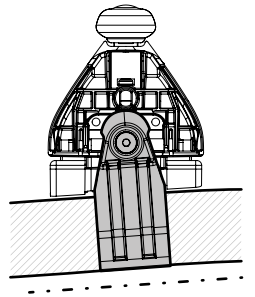
14



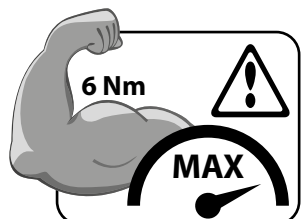
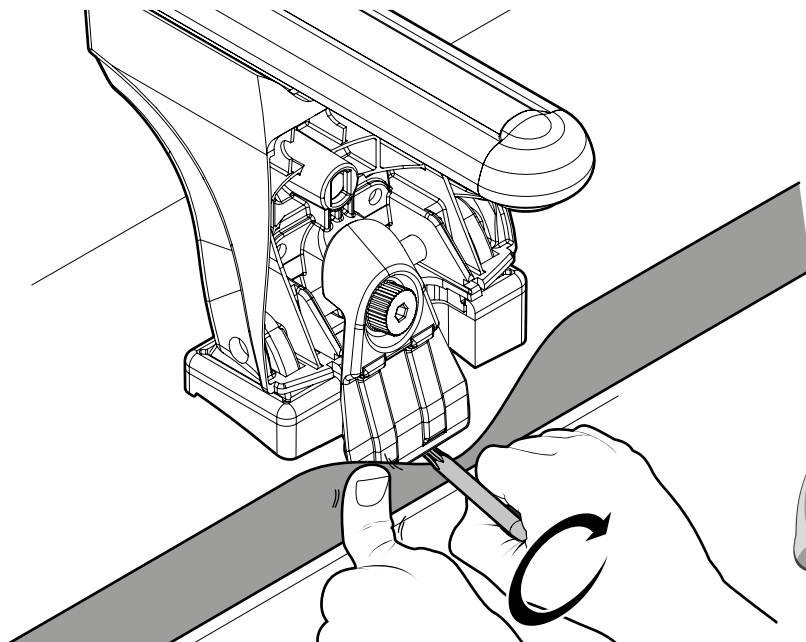
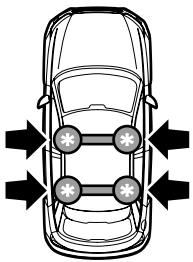
15



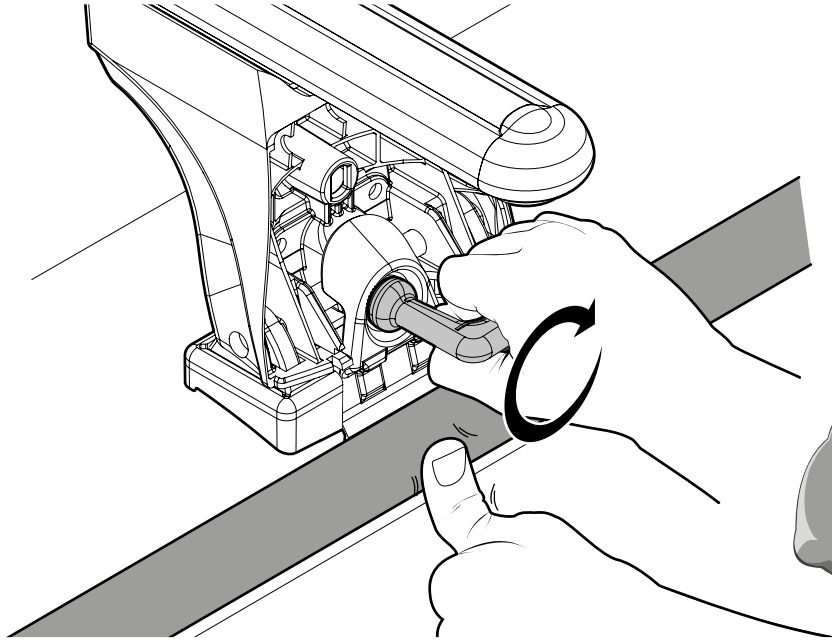
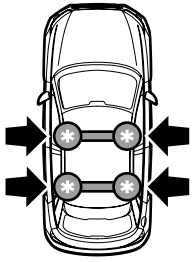
16



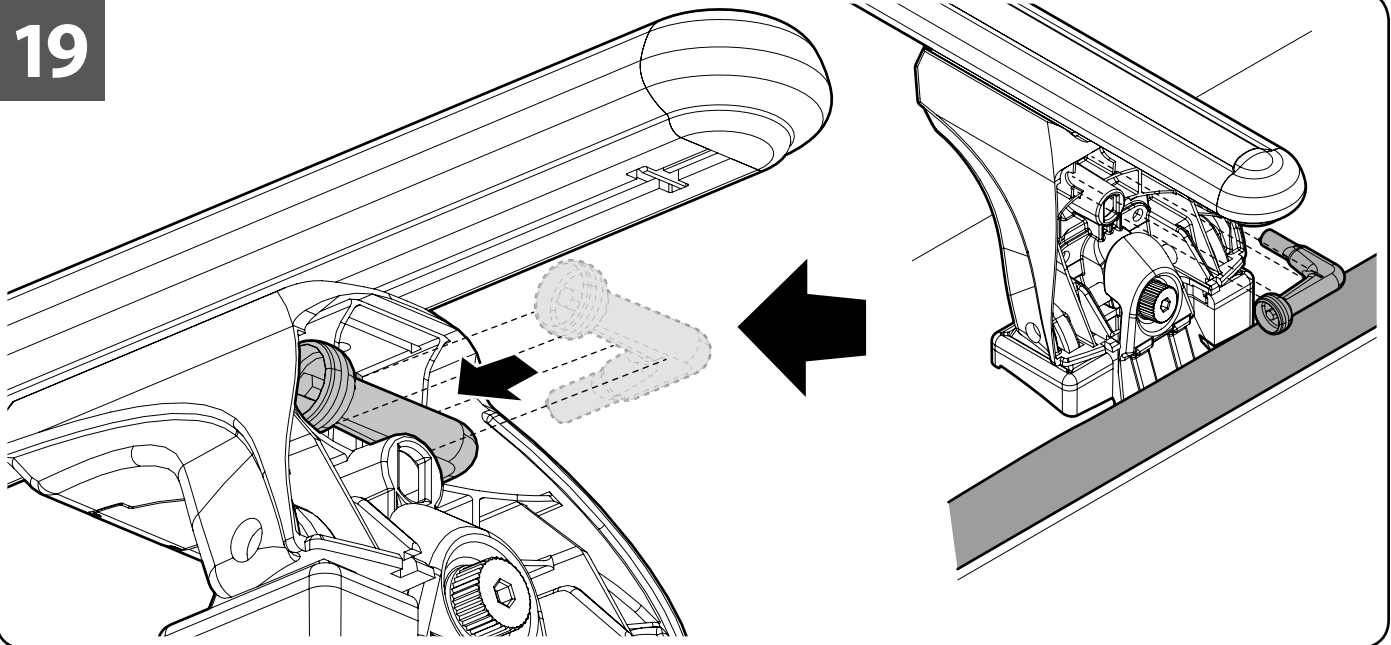
17



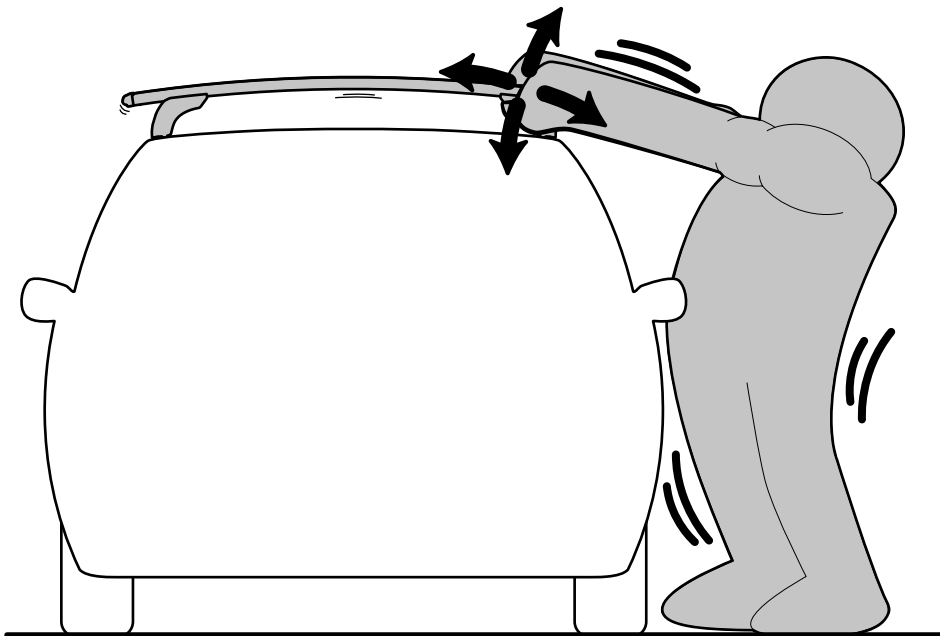
18

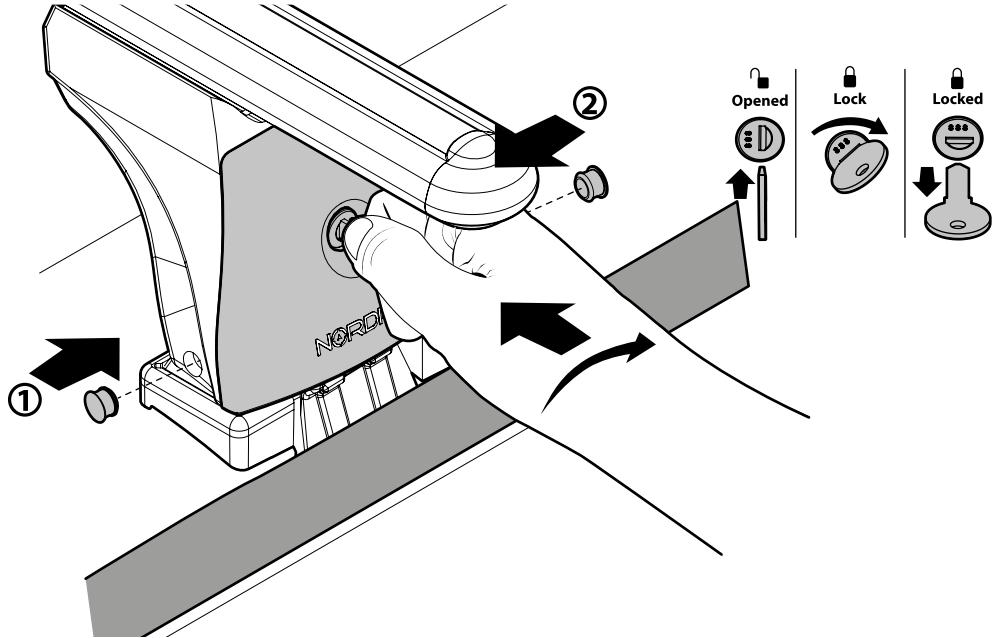
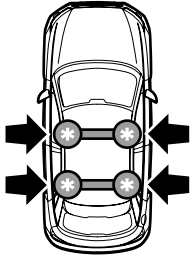


19



20





EVOS

NORDRIVE[®]
TRANSPORT SOLUTIONS

is a registered trade mark of

LAMPA S.p.A.

Via G. Rossa 53/55, 46019 Viadana (MN) ITALY

Tel. +39 0375 820700

UNI EN ISO 9001:2015 Certified Company

www.nordrive.it

www.lampa.it