

# EVOS

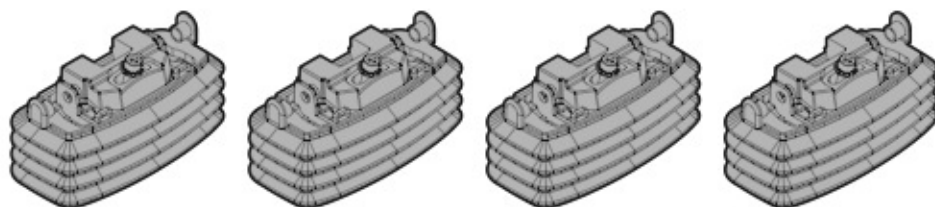
## NORDDRIVE

TRANSPORT SOLUTIONS

<b>BMW SERIE 1</b> (E81, E87)	9/04→6/12	<b>S</b> 108cm
<b>BMW SERIE 1</b> (E82) COUPÉ	9/07→12/13	<b>S</b> 108cm
<b>BMW SERIE 3</b> (E46) BERLINA, COMPACT, COUPÉ, TOURING (no railing)	1/98→8/06	<b>S</b> 108cm
<b>BMW SERIE 3</b> (E90) BERLINA, (E91) TOURING (no railing)	3/05→5/12	<b>M</b> 120cm
<b>BMW SERIE 5</b> (E39) BERLINA	9/95→6/03	<b>M</b> 120cm
<b>BMW SERIE 5</b> (E39) TOURING (no railing)	4/97→3/04	<b>S</b> 108cm
<b>FORD MONDEO</b> 	11/00→4/07	<b>M</b> 120cm
<b>SAAB 9.3</b> SPORTSEDAN	7/05→6/12	<b>S</b> 108cm
<b>SAAB 9.3</b> SPORTRHATCH (no railing)	7/02→6/12	<b>M</b> 120cm

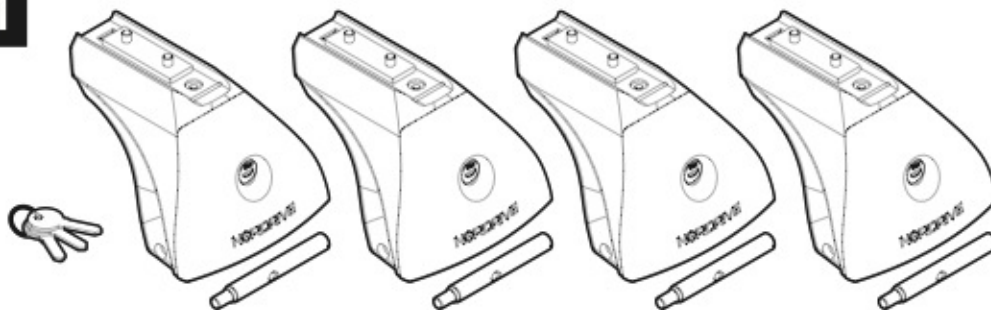


Art. **N21059**



+

Art. **N20001**



+

Art. **N15019**

**S**

**A**

**QUADRA**

ACCIAIO  
Steel

108cm



Art. **N15024**

**S**

**A**

**ALUMIA**

ALLUMINIO  
Aluminium

108cm



Art. **N15074**

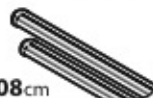
**S**

**A**

**HELIO**

ALLUMINIO  
Aluminium

108cm



Art. **N15020**

**M**

**A**

**QUADRA**

ACCIAIO  
Steel

120cm



Art. **N15025**

**M**

**A**

**ALUMIA**

ALLUMINIO  
Aluminium

120cm



Art. **N15075**

**M**

**A**

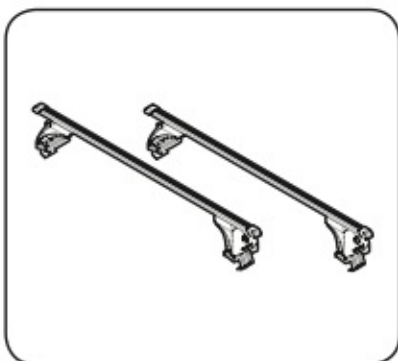
**HELIO**

ALLUMINIO  
Aluminium

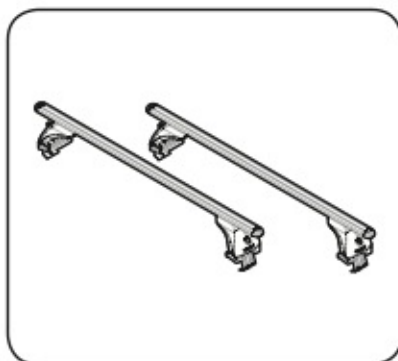
120cm



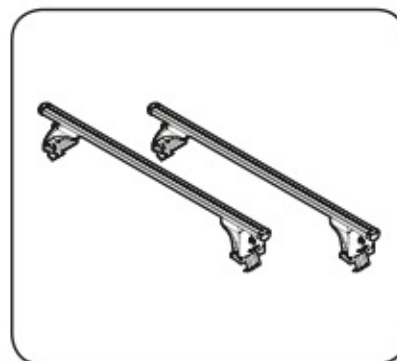
=

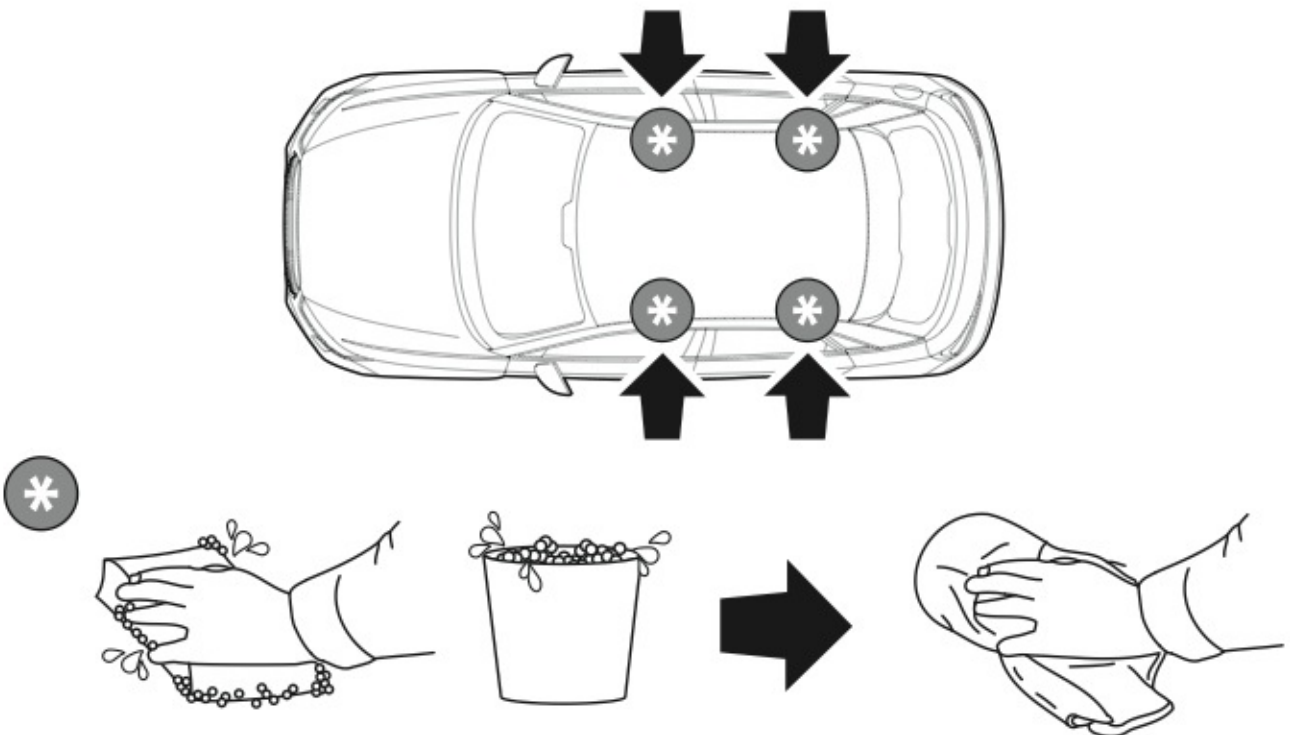
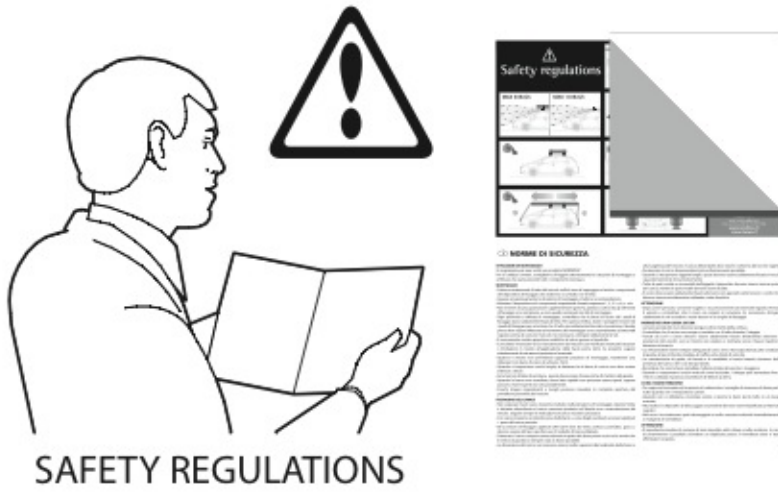
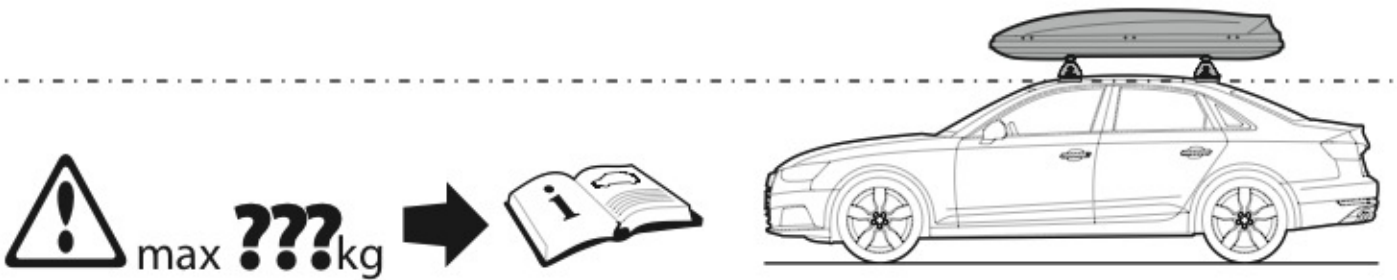


=



=

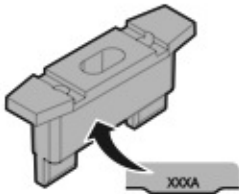






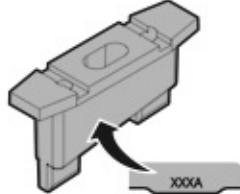
Art. **N21059**

**x2**



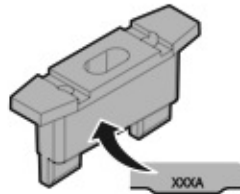
00PL313A

**x2**



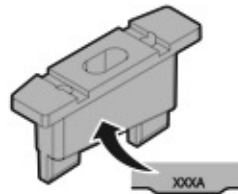
00PL316A

**x2**



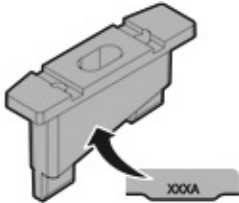
00PL317A

**x1**



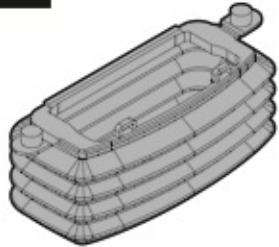
00PL364A

**x1**



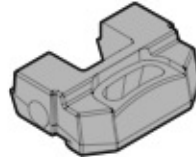
00PL365A

**x4**



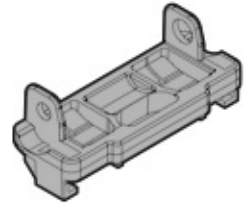
74GO096A

**x4**



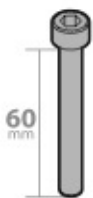
52PL108A

**x4**



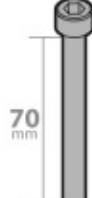
52PL140A

**x2**



M6x60  
60CE6060

**x4**



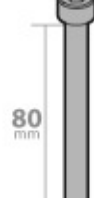
M6x70  
60CE6070

**x4**



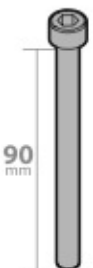
M6x75  
60CE6075

**x4**



M6x80  
60CE6080

**x2**



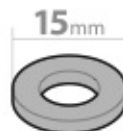
M6x90  
60CE6090

**x4**

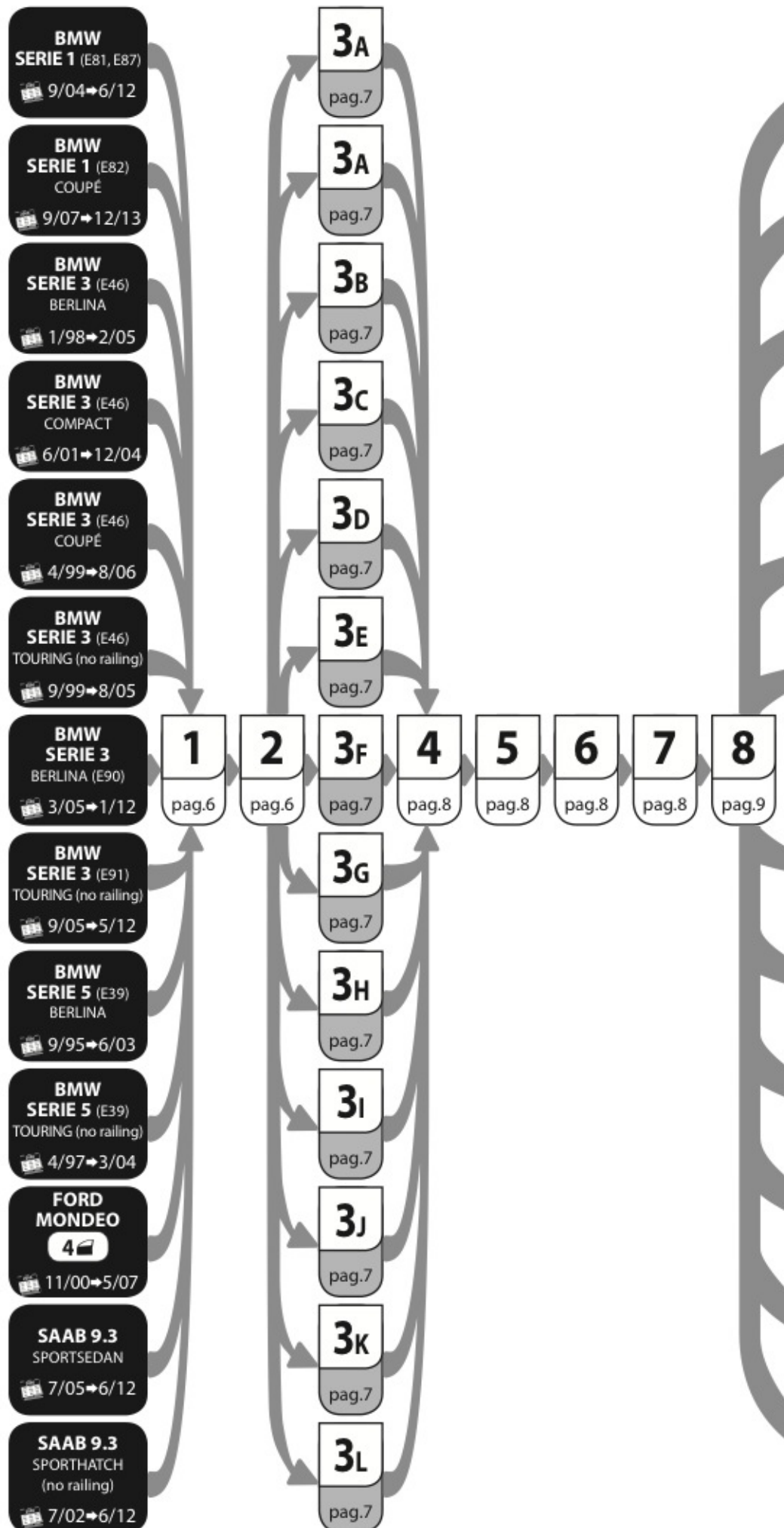


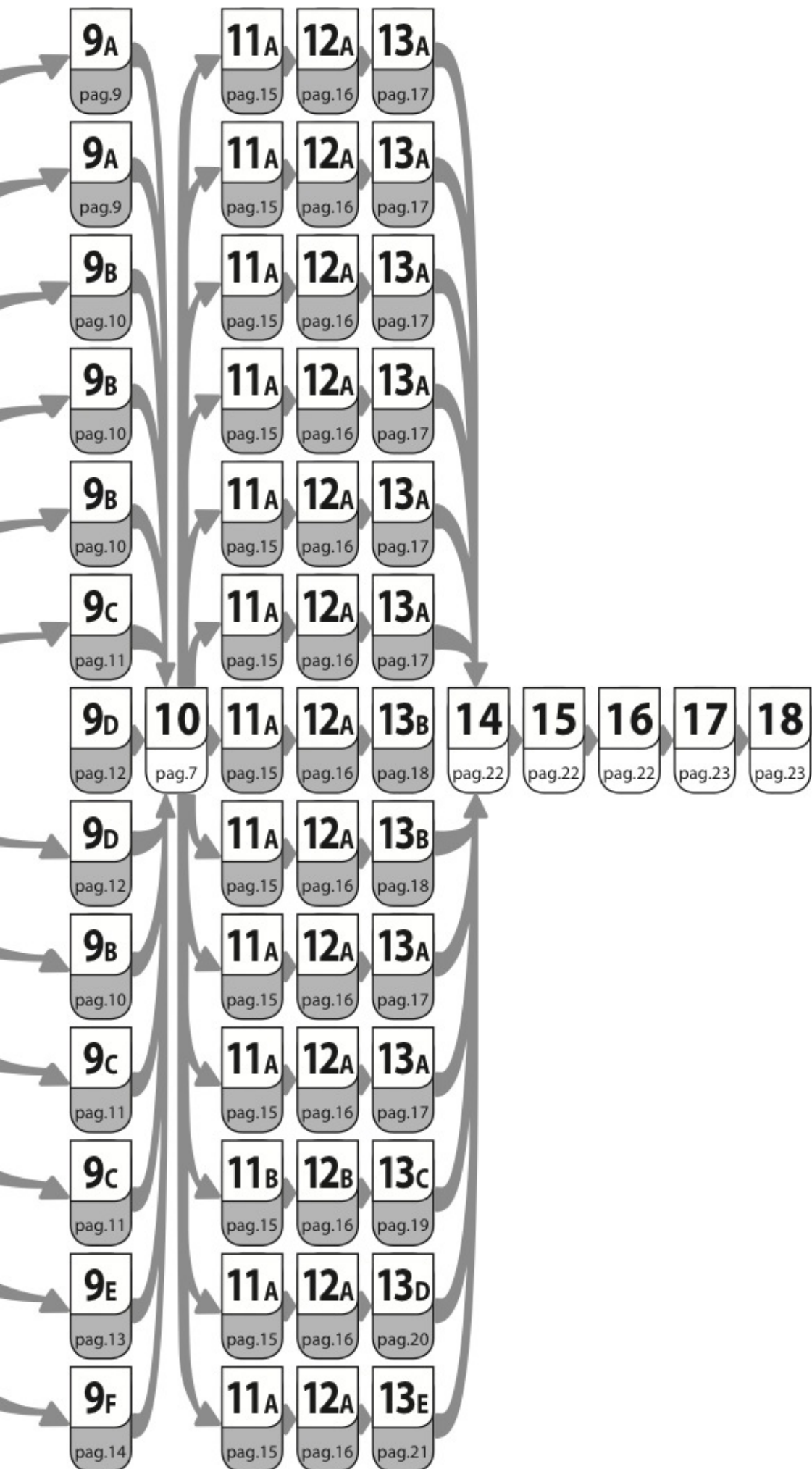
ø6x11

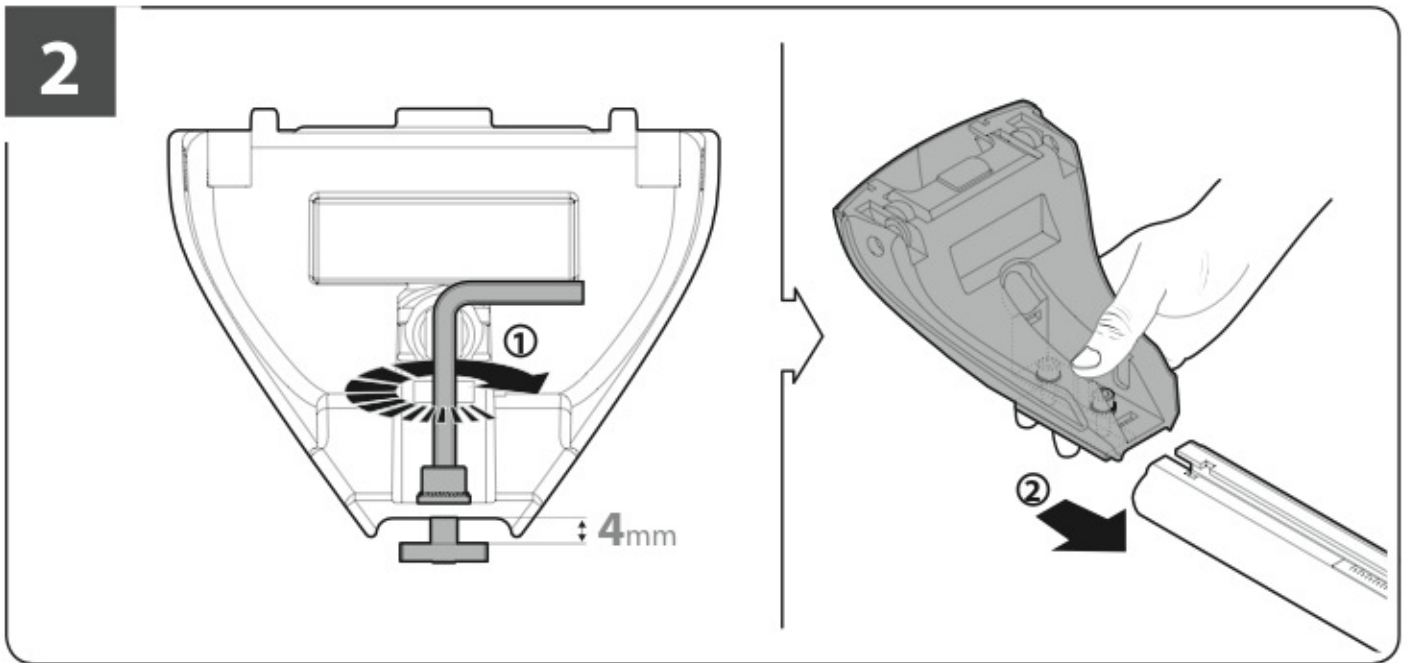
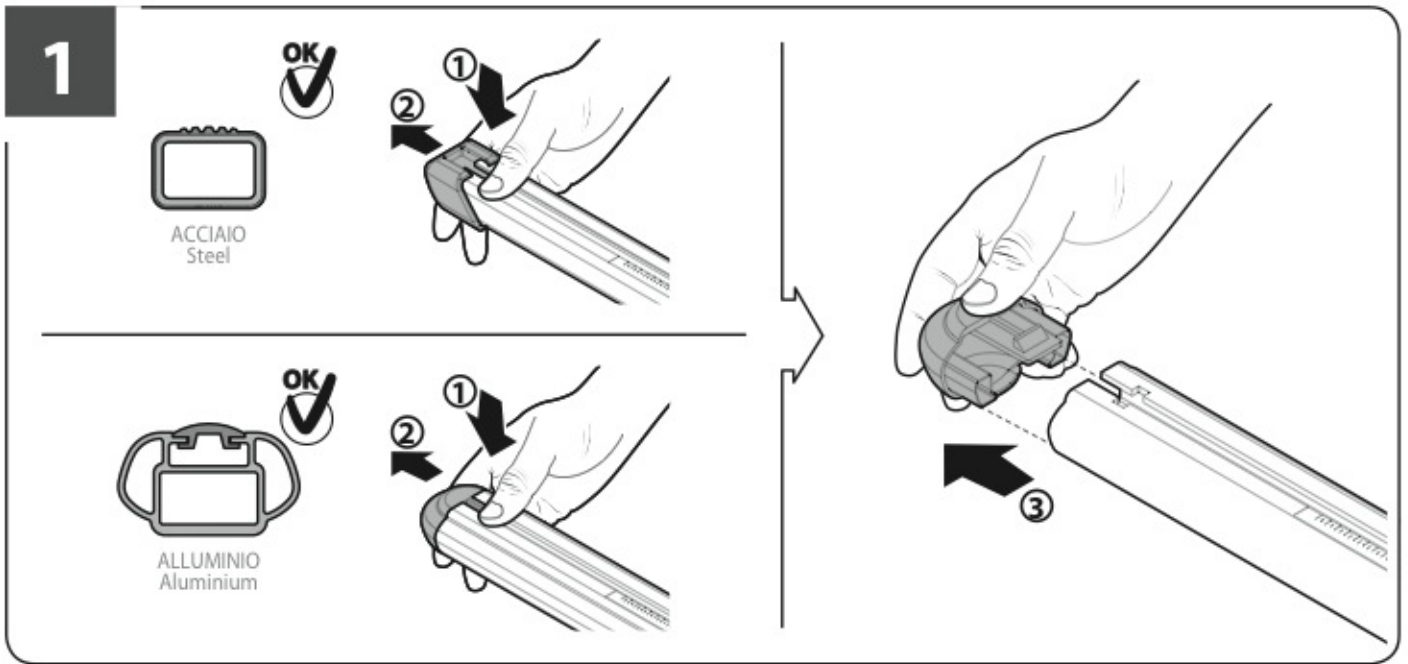
**x4**



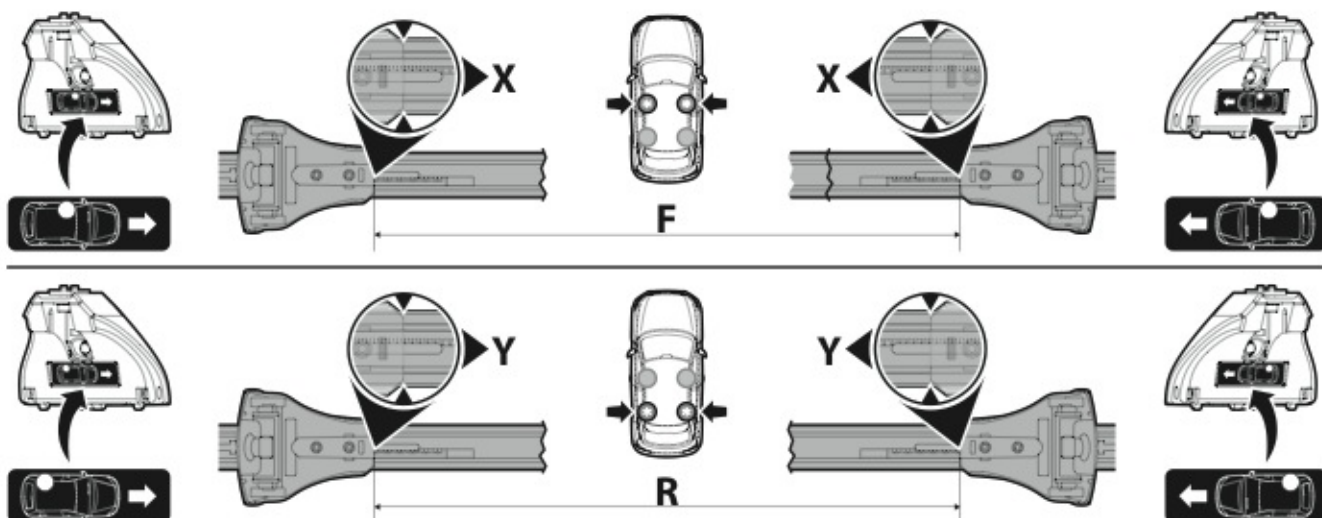
**G**

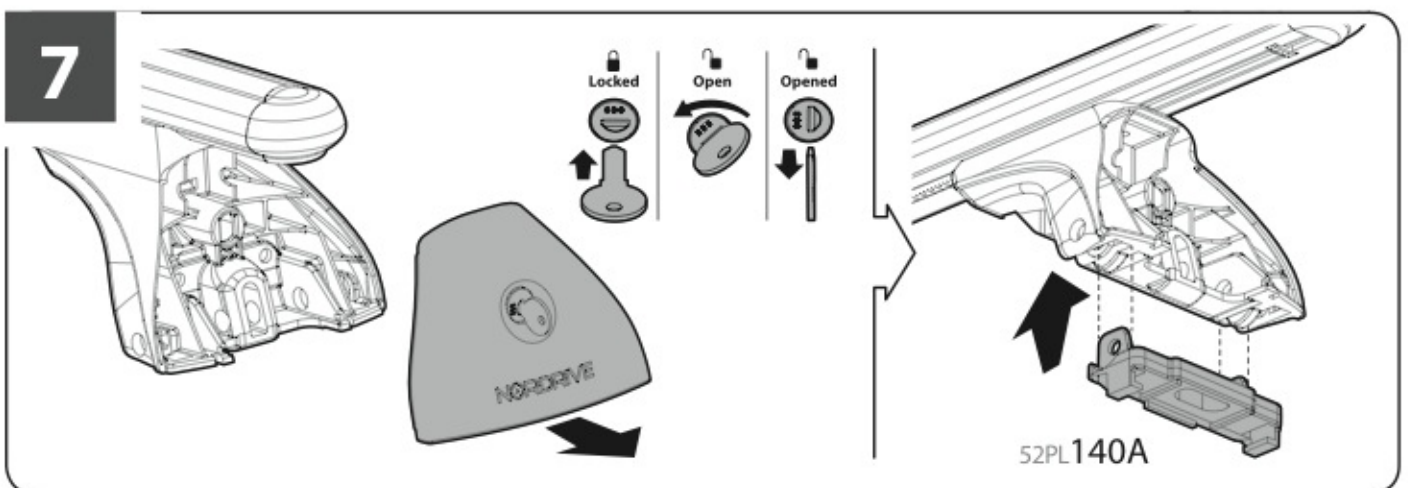
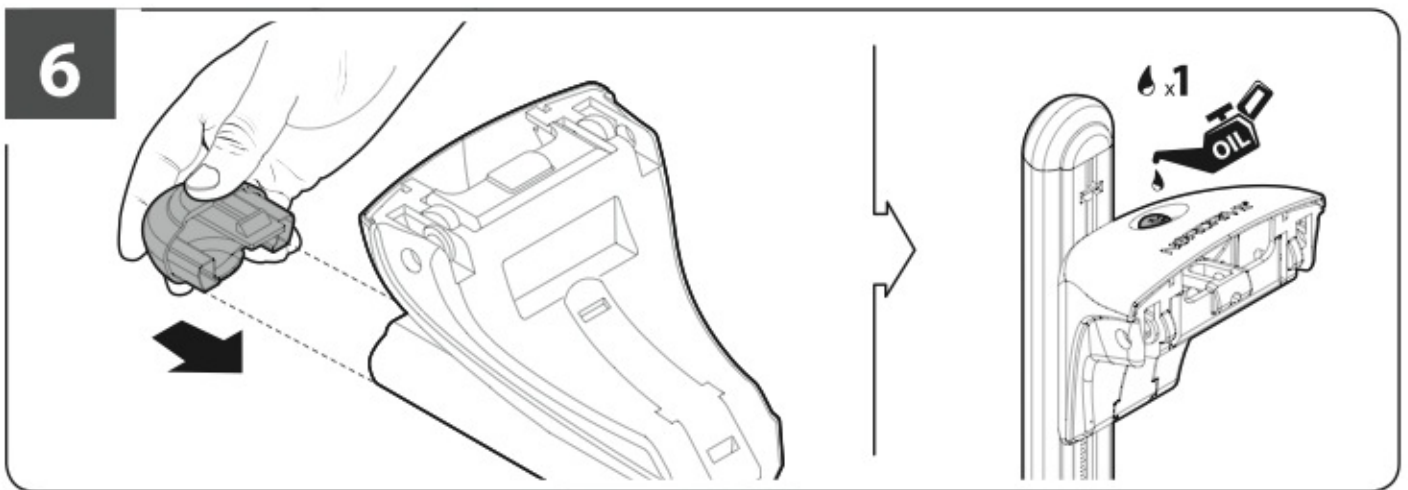
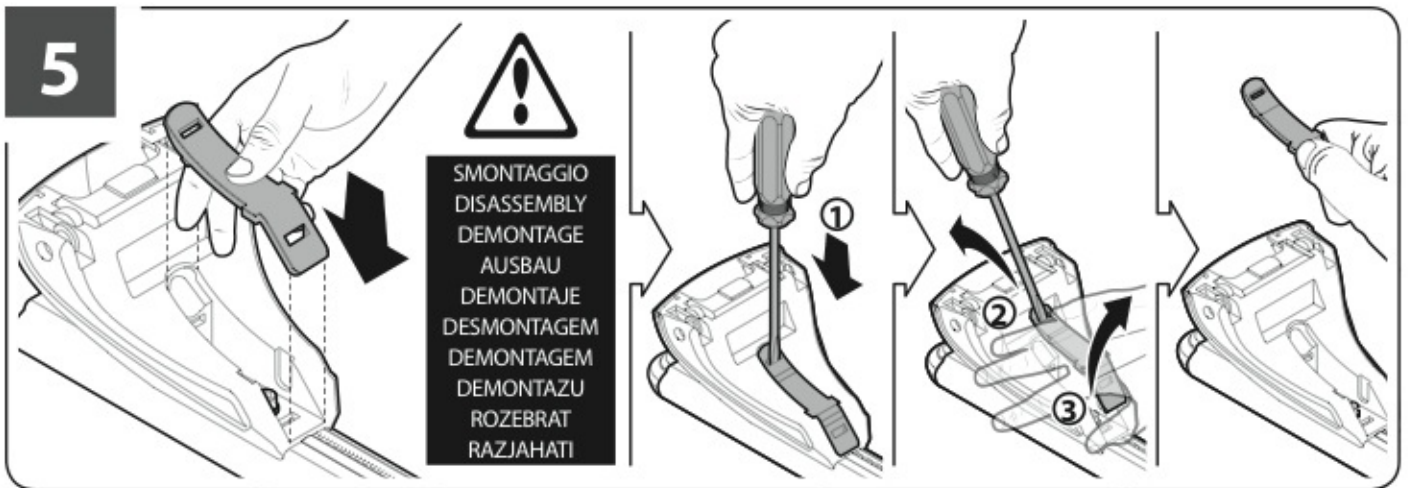
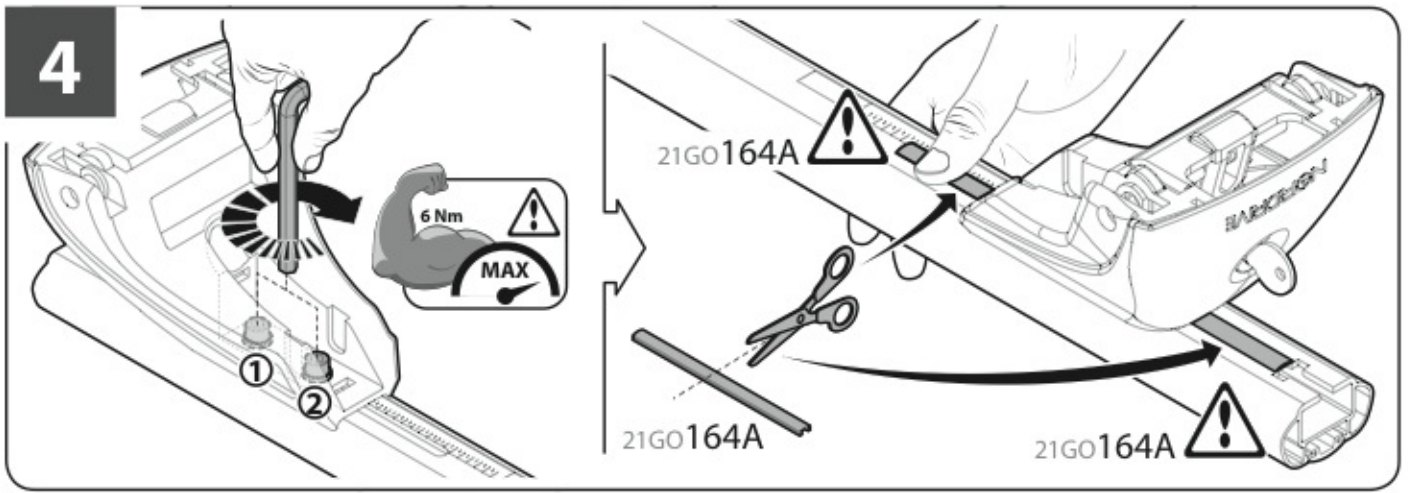






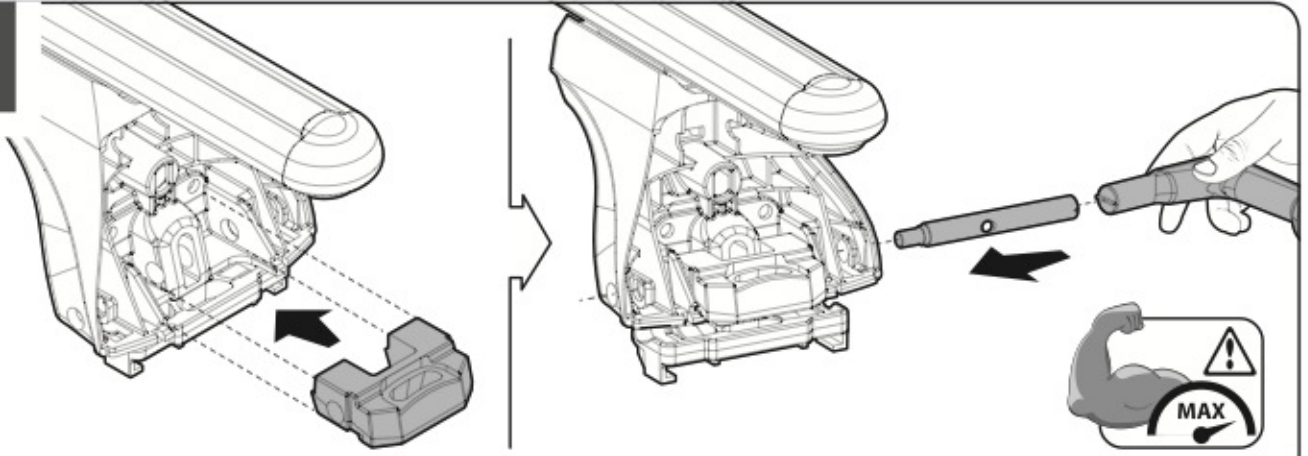
	Modello auto Model car Fahrzeugmodell			Pos. piedi / Pos. feet Position Füße	
				X	Y
<b>3A</b>	<b>BMW SERIE 1</b> (E81, E87) <b>BMW SERIE 1</b> (E82) COUPÉ	9/04→6/12 9/07→12/13	<b>S</b> 108cm	<b>17</b> (F = 78cm)	<b>13,5</b> (R = 74,5cm)
<b>3B</b>	<b>BMW SERIE 3</b> (E46) BERLINA	3/98→2/05	<b>S</b> 108cm	<b>14</b> (F = 75cm)	<b>12,5</b> (R = 73,5cm)
<b>3C</b>	<b>BMW SERIE 3</b> (E46) COMPACT	6/00→12/05	<b>S</b> 108cm	<b>15</b> (F = 76cm)	<b>13</b> (R = 74cm)
<b>3D</b>	<b>BMW SERIE 3</b> (E46) COUPÉ	4/99→8/06	<b>S</b> 108cm	<b>11,5</b> (F = 72,5cm)	<b>13,5</b> (R = 74,5cm)
<b>3E</b>	<b>BMW SERIE 3</b> (E46) TOURING (no railing)	9/99→8/05	<b>S</b> 108cm	<b>14</b> (F = 75cm)	<b>10,5</b> (R = 71,5cm)
<b>3F</b>	<b>BMW SERIE 3</b> (E90) BERLINA	3/05→1/12	<b>M</b> 120cm	<b>19,5</b> (F = 80,5cm)	<b>19</b> (R = 80cm)
<b>3G</b>	<b>BMW SERIE 3</b> (E91) TOURING (no railing)	9/05→5/12	<b>S</b> 108cm	<b>19,5</b> (F = 80,5cm)	<b>18</b> (R = 79cm)
<b>3H</b>	<b>BMW SERIE 5</b> (E39) BERLINA	9/95→6/03	<b>M</b> 120cm	<b>18,5</b> (F = 79,5cm)	<b>16</b> (R = 77cm)
<b>3I</b>	<b>BMW SERIE 5</b> (E39) TOURING (no railing)	4/97→3/04	<b>S</b> 108cm	<b>18,5</b> (F = 79,5cm)	<b>14</b> (R = 75cm)
<b>3J</b>	<b>FORD MONDEO</b> 	11/00→4/07	<b>M</b> 120cm	<b>19,5</b> (F = 80,5cm)	<b>17,5</b> (R = 78,5cm)
<b>3K</b>	<b>SAAB 9.3</b> SPORTSEDAN	7/05→6/12	<b>S</b> 108cm	<b>25,5</b> (F = 86,5cm)	<b>22</b> (R = 83cm)
<b>3L</b>	<b>SAAB 9.3</b> SPORHATCH (no railing)	7/02→6/12	<b>M</b> 120cm	<b>20</b> (F = 81cm)	<b>11,5</b> (R = 72,5cm)







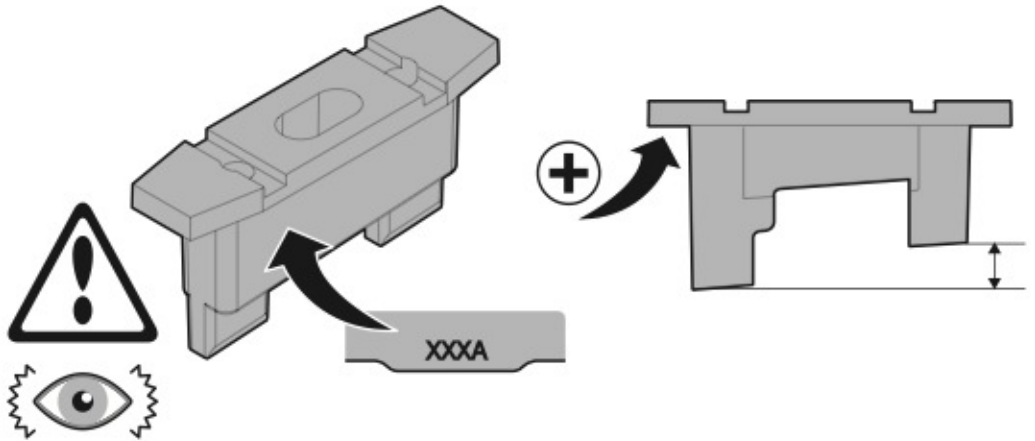
8



9A

BMW  
SERIE 1  
(E81, E87)

BMW  
SERIE 1  
(E82) COUPÉ

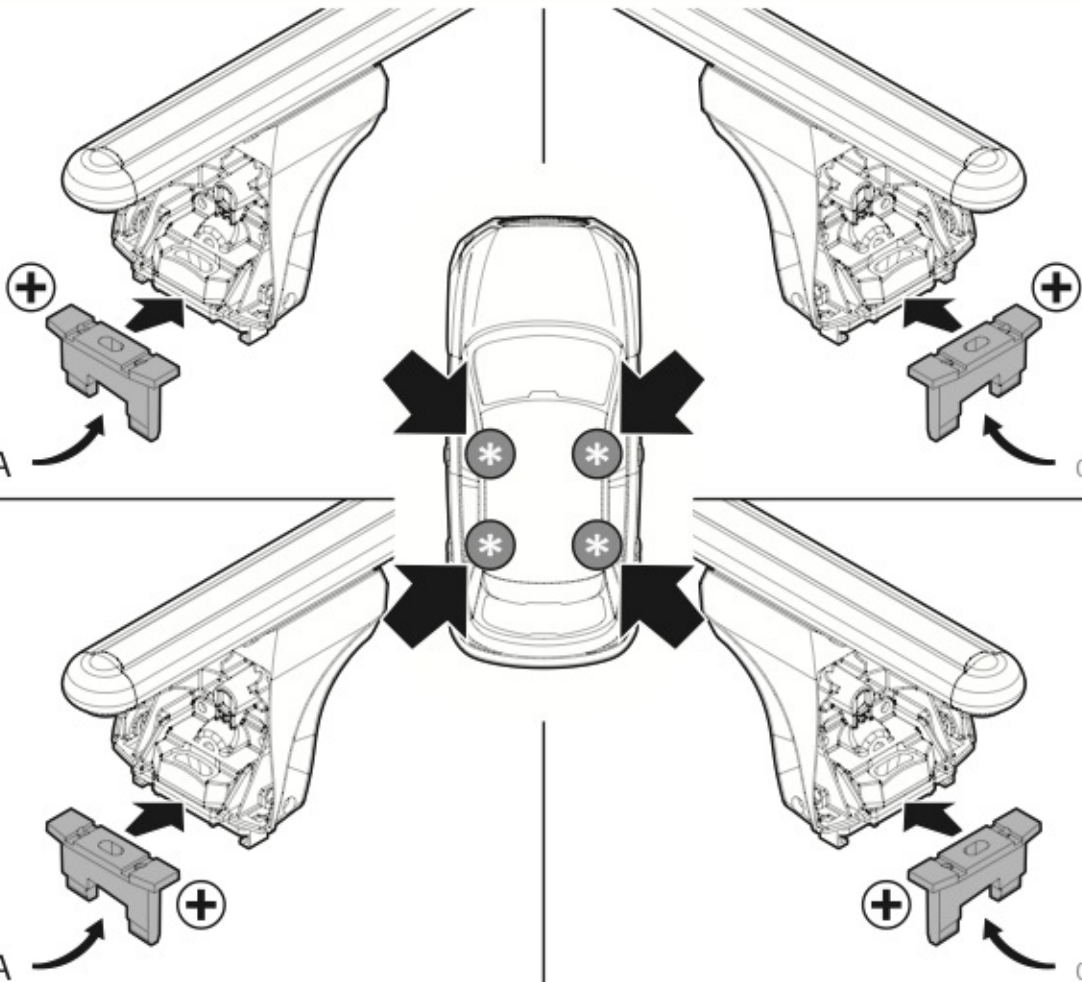


00PL316A

00PL317A

00PL317A

00PL316A



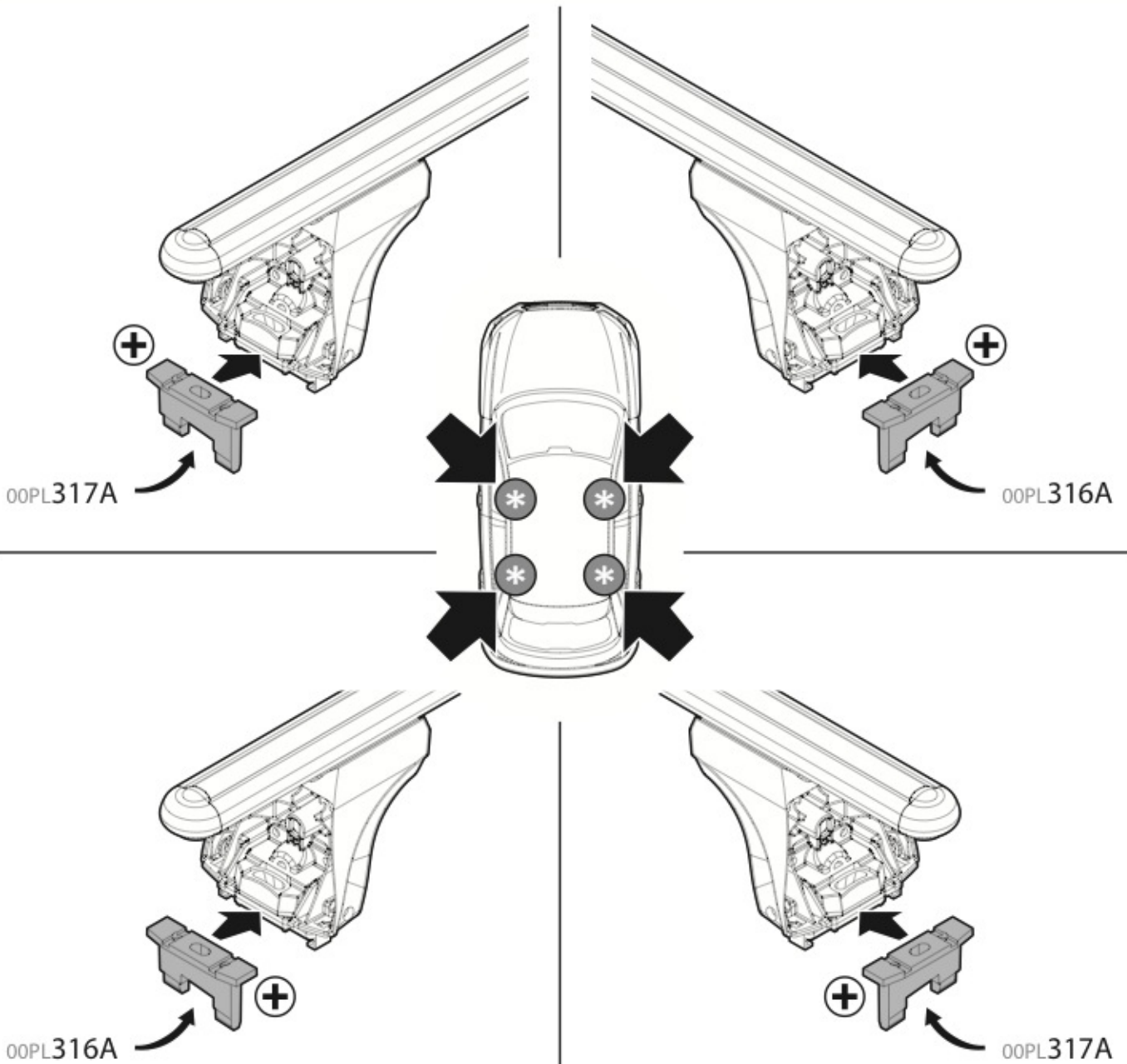
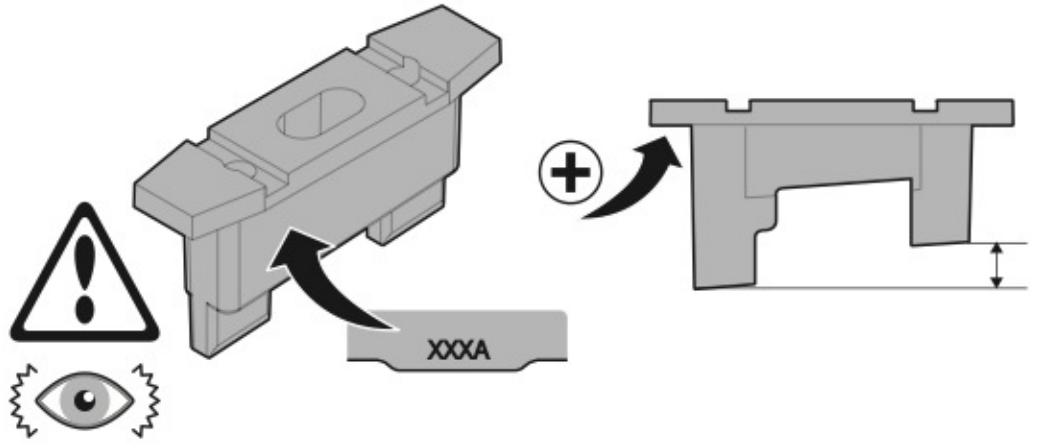
# 9B

BMW  
SERIE 3  
(E46) BERLINA

BMW  
SERIE 3  
(E46) COMPACT

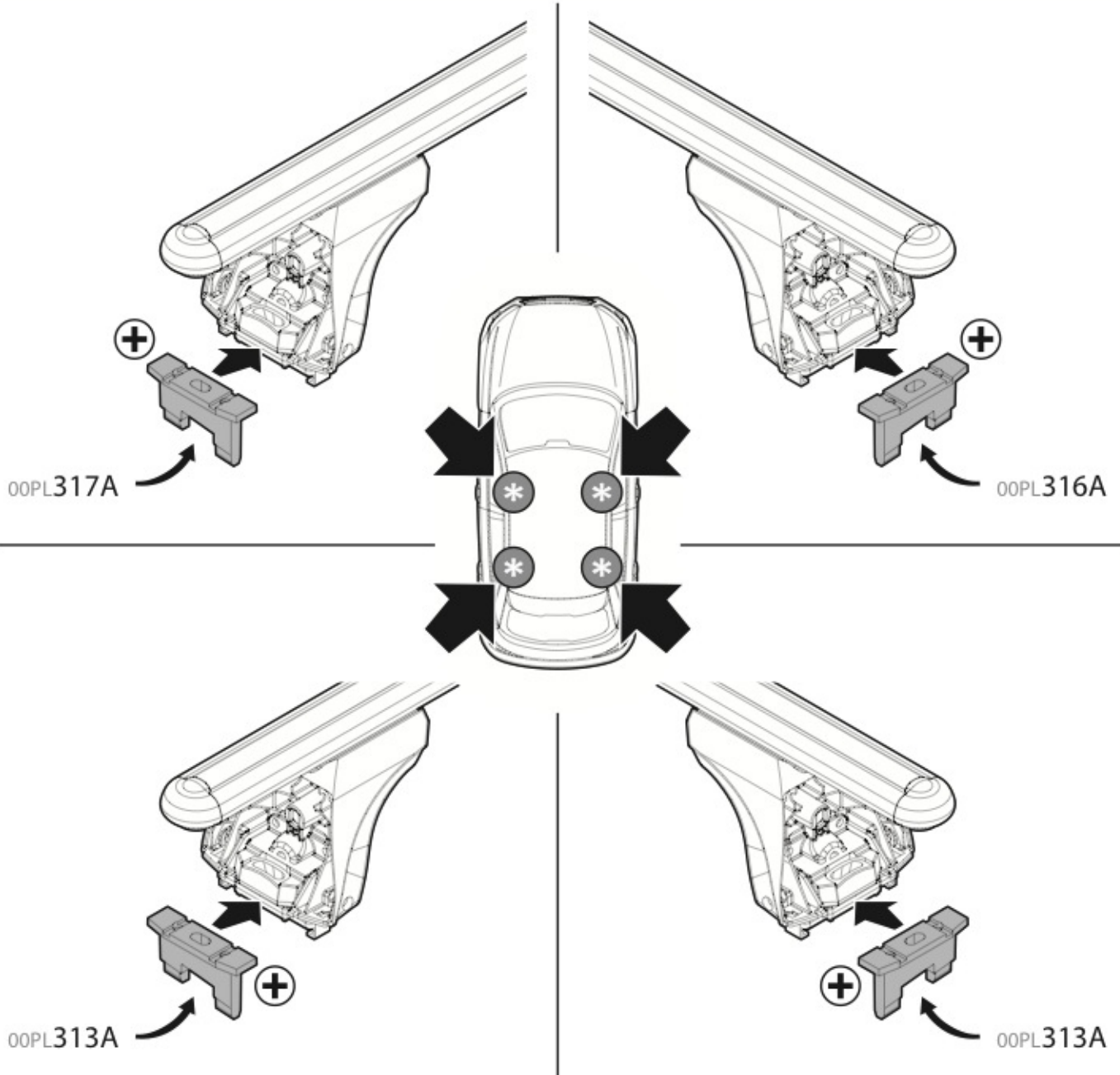
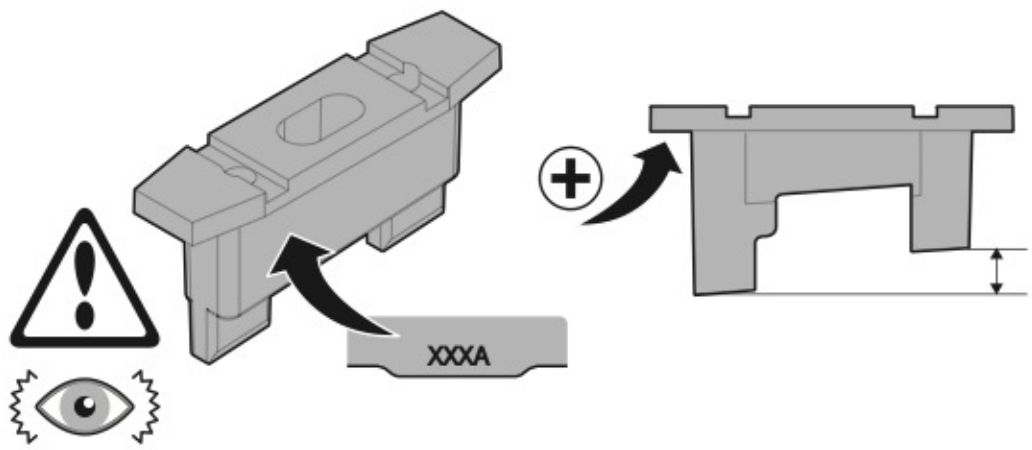
BMW  
SERIE 3  
(E46) COUPÉ

BMW  
SERIE 5  
(E39) BERLINA



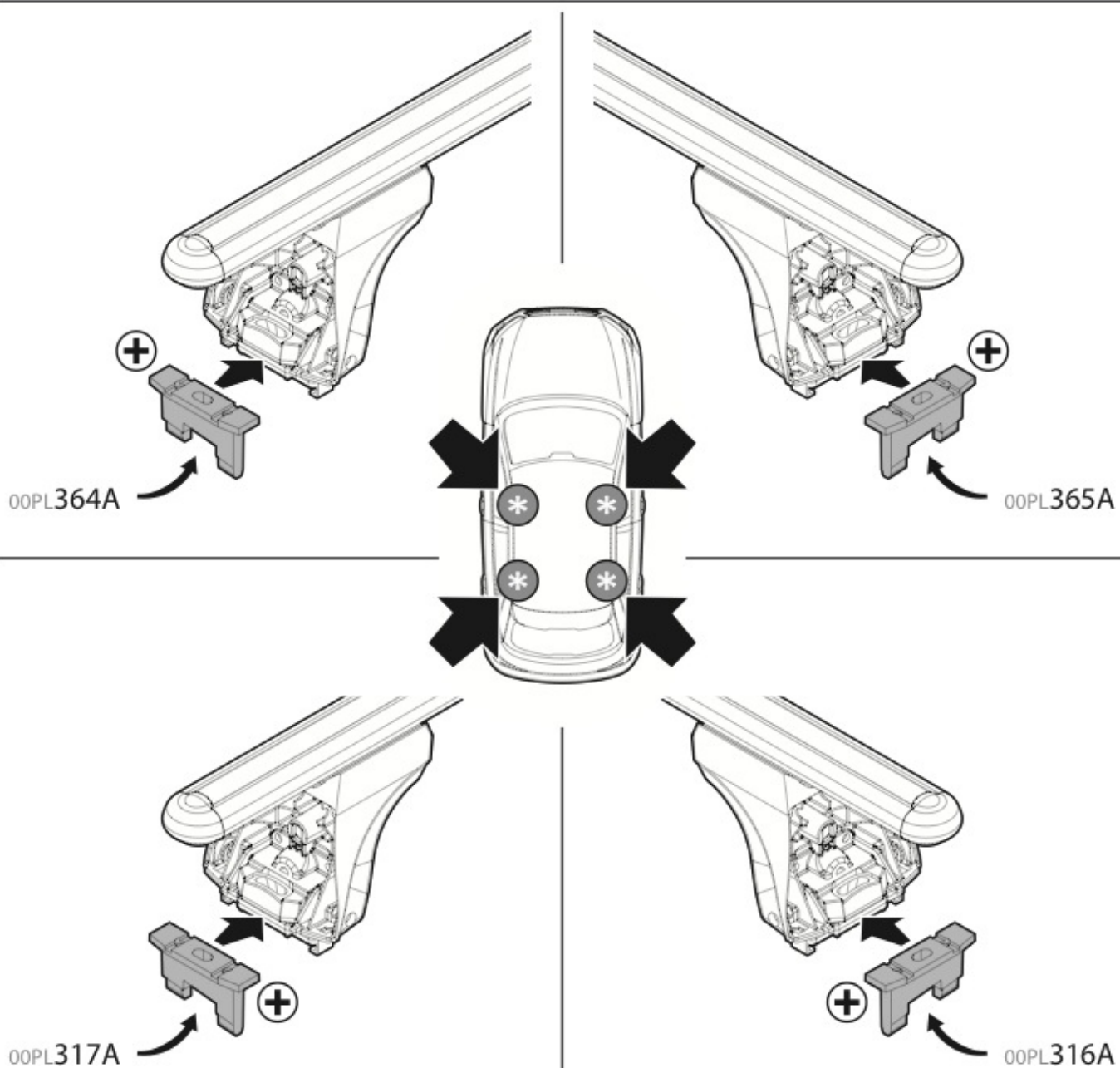
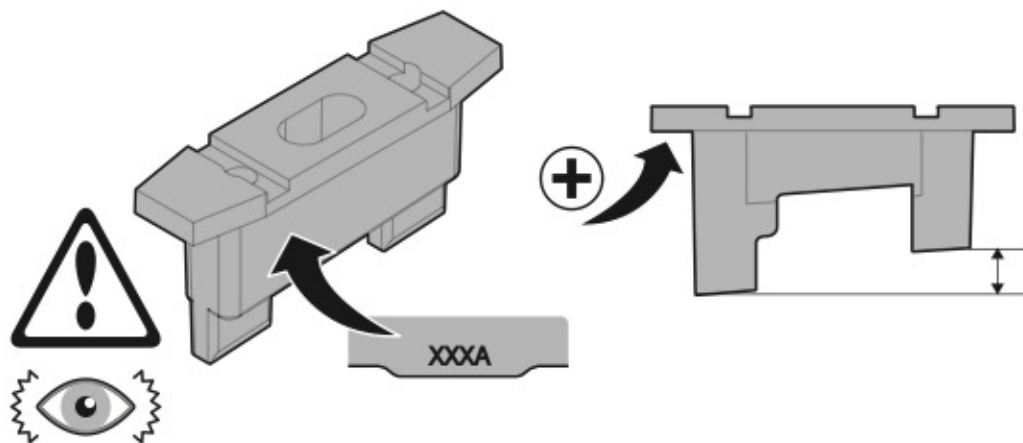
# 9c

- BMW**  
**SERIE 3**  
(E46) TOURING  
(no ralling)
- BMW**  
**SERIE 5**  
(E39) TOURING  
(no ralling)
- FORD**  
**MONDEO**  
4



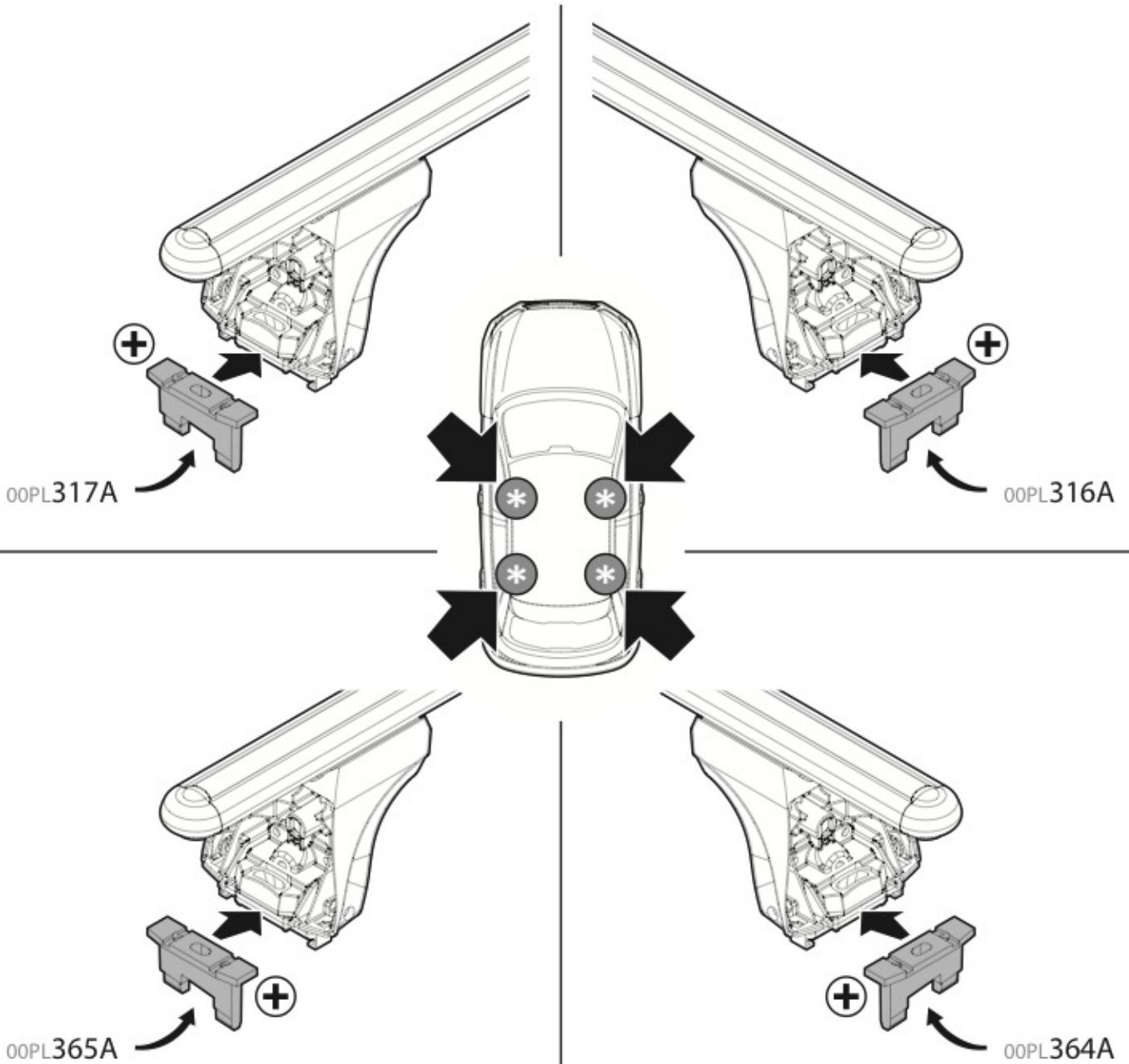
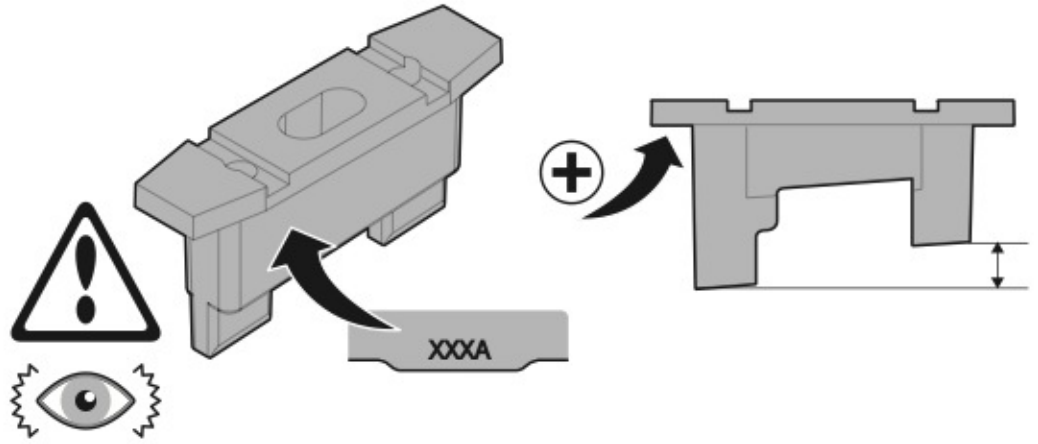
9D

**BMW  
SERIE 3**  
(E90) BERLINA  
(E91) TOURING  
(no railing)



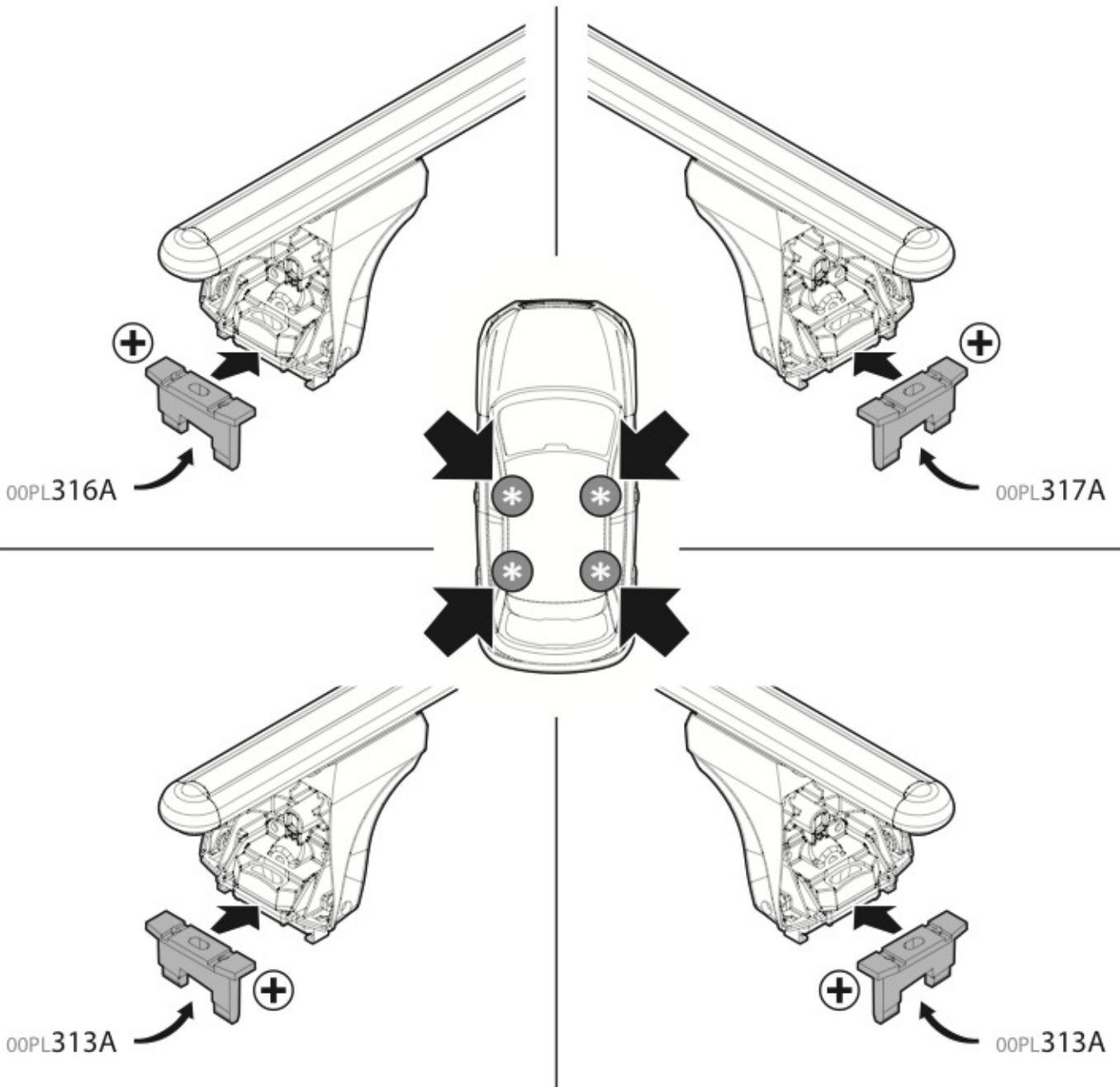
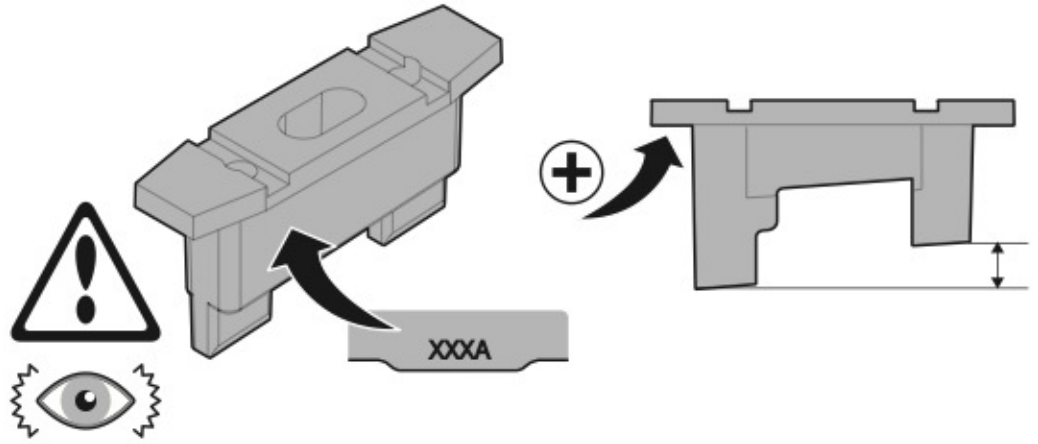
9E

SAAB 9.3  
SPORTSEDAN

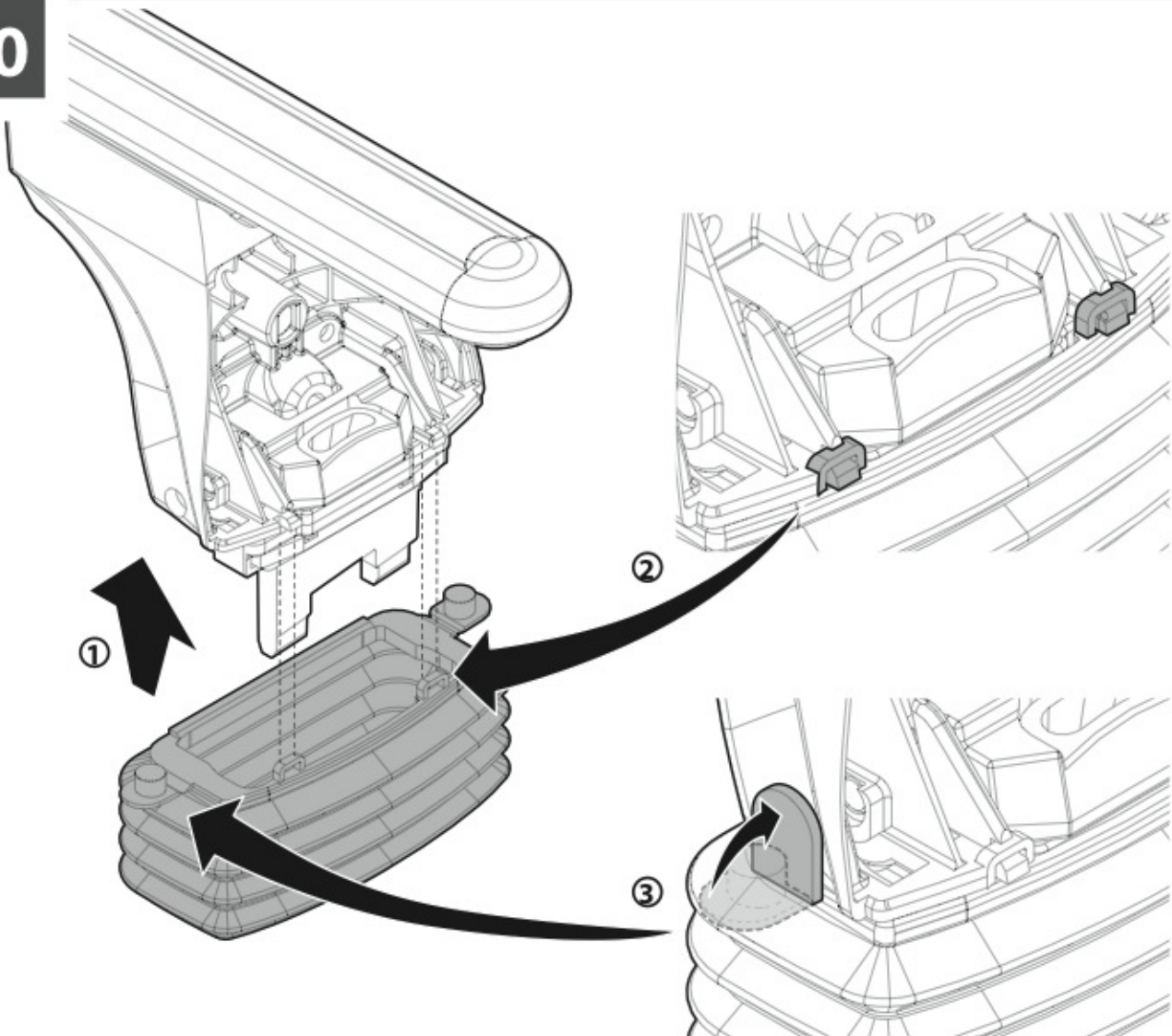


9F

SAAB 9.3  
SPORTHATCH  
(no ralling)

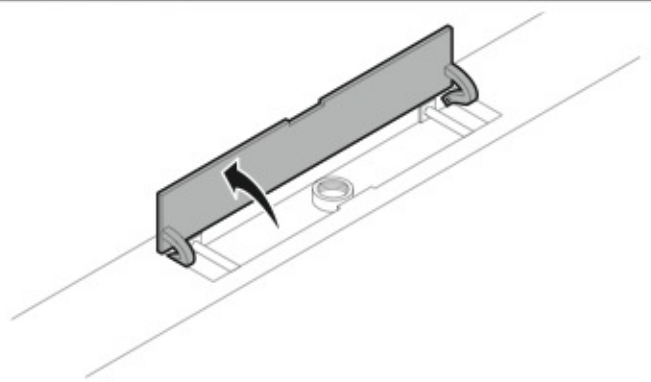
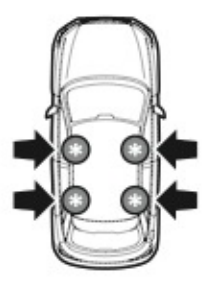


10



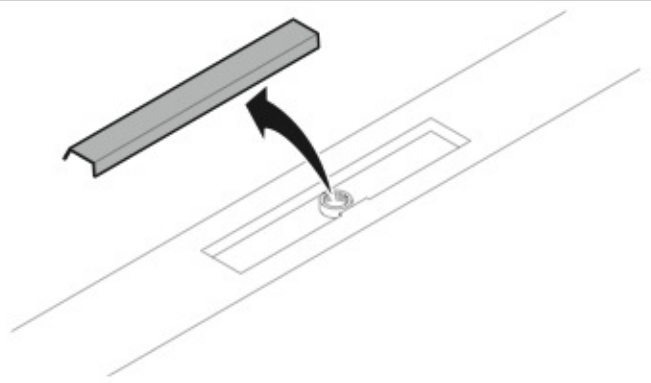
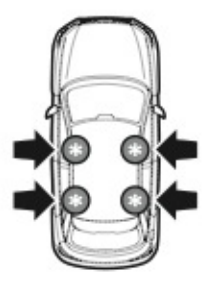
11<sub>A</sub>

**BMW**  
**SAAB**  
**9.3**



11<sub>B</sub>

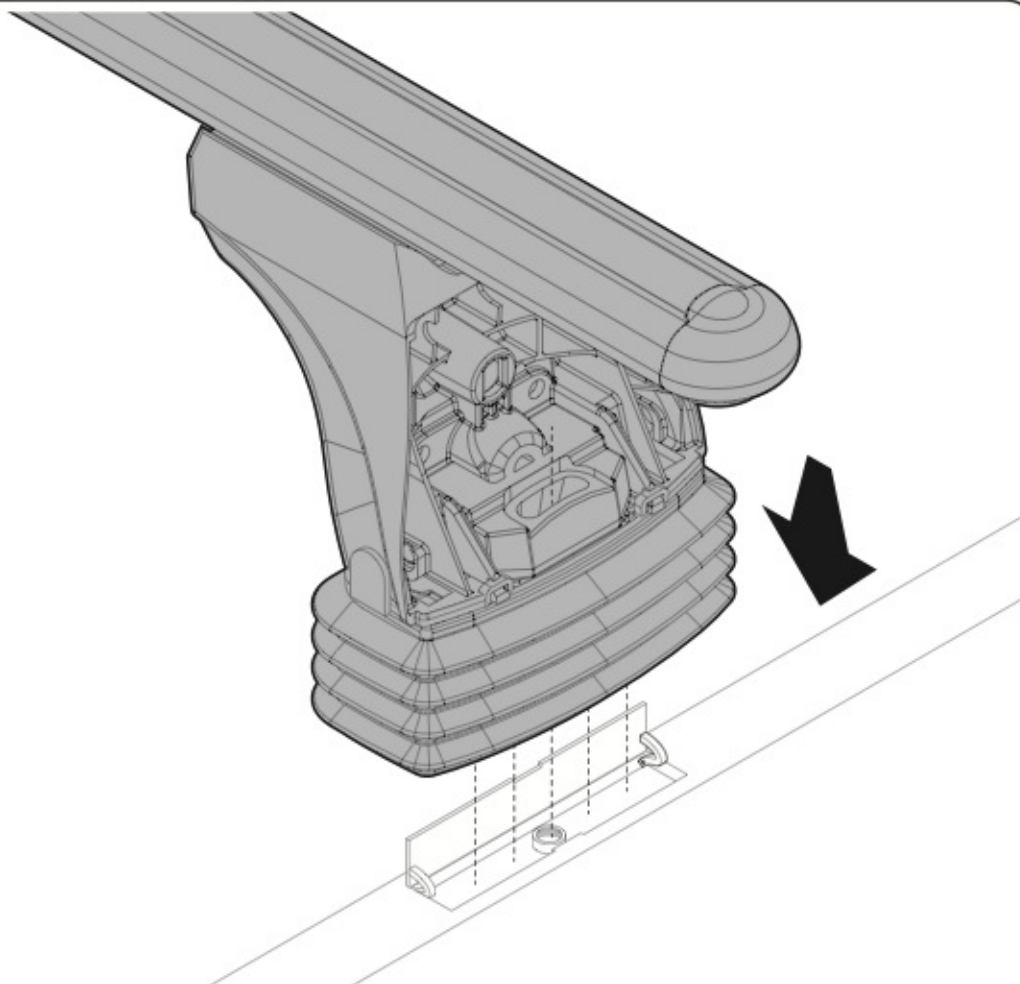
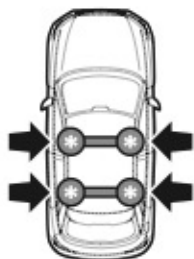
**FORD**  
**MONDEO**  
**4**



12<sub>A</sub>

BMW

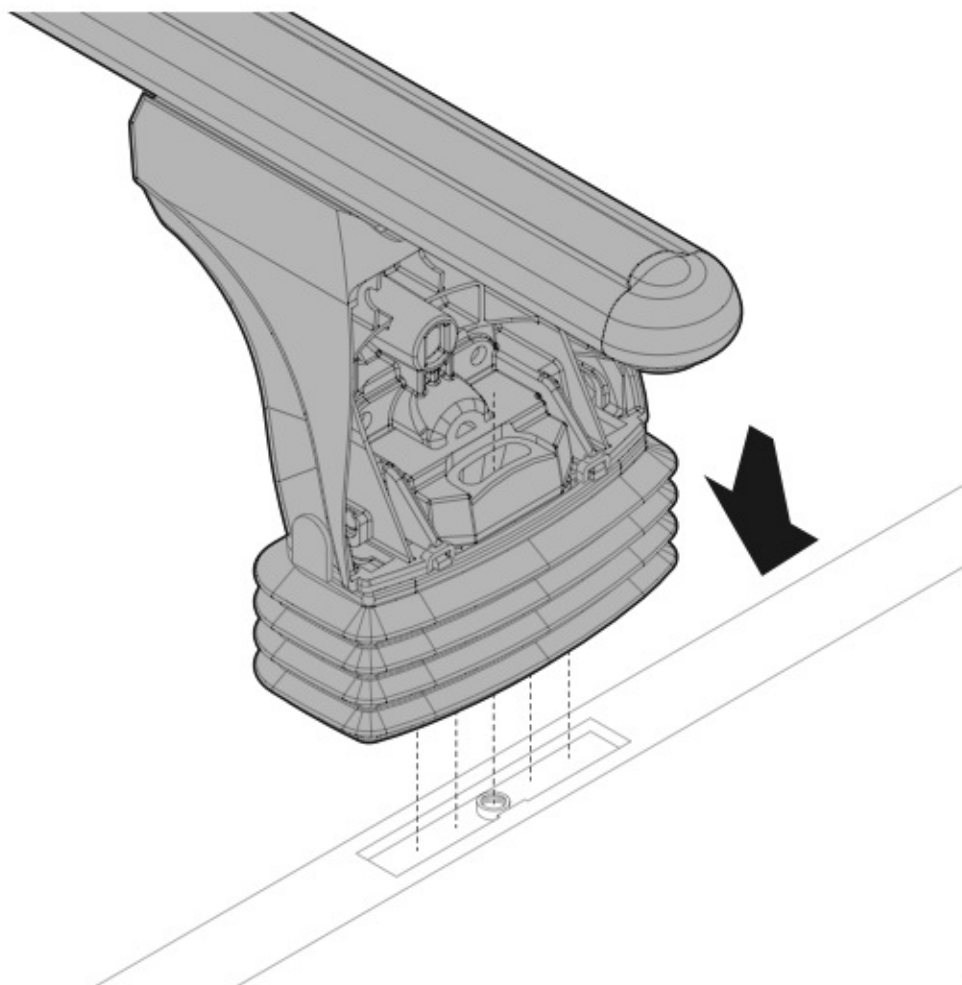
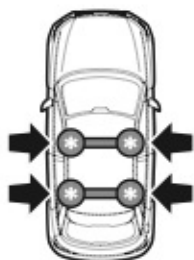
SAAB  
9.3



12<sub>B</sub>

FORD  
MONDEO

4x4





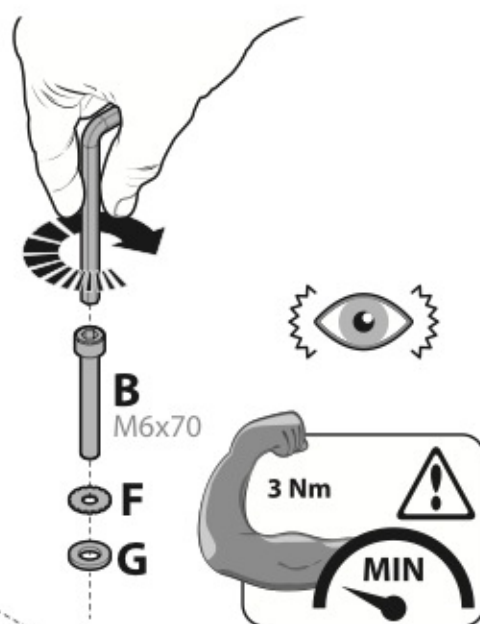
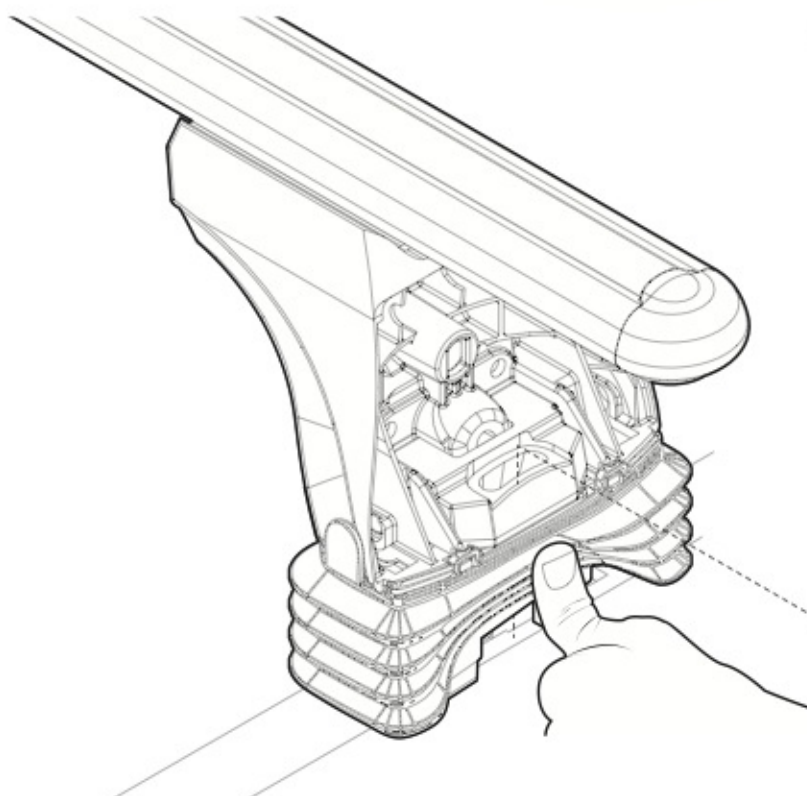
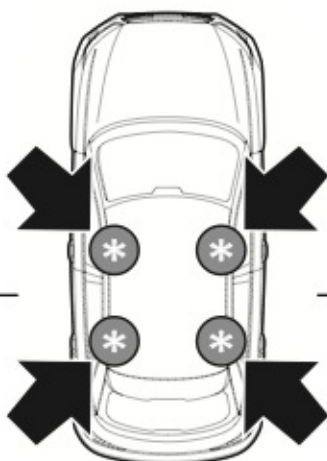
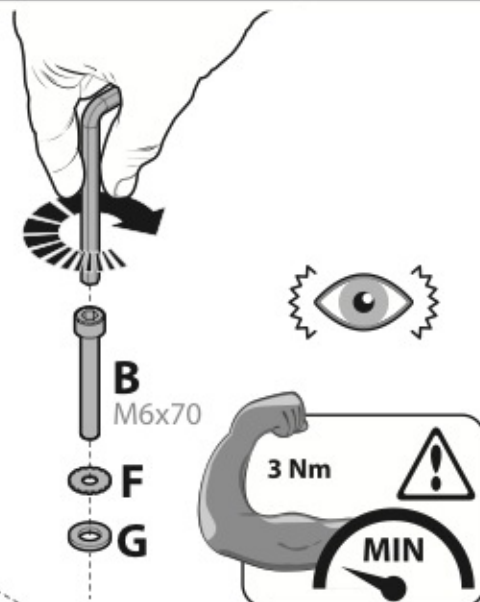
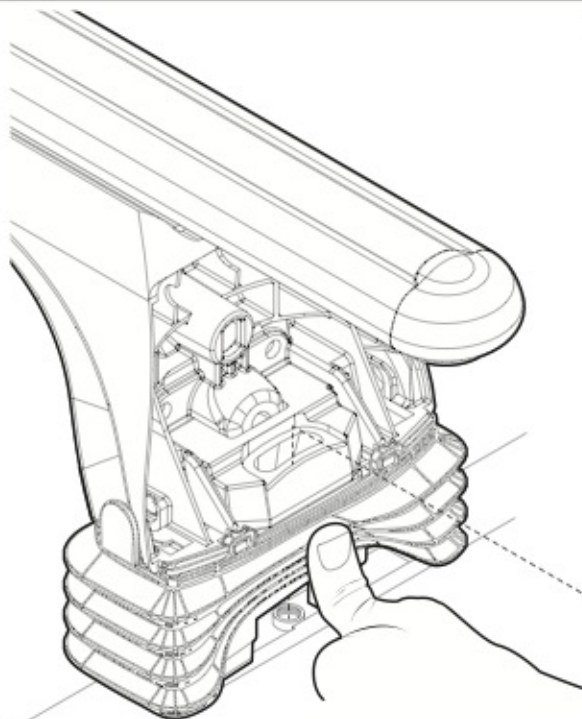
# 13<sub>A</sub>

BMW  
SERIE 1  
(E81, E87)

BMW  
SERIE 1  
(E82) COUPÉ

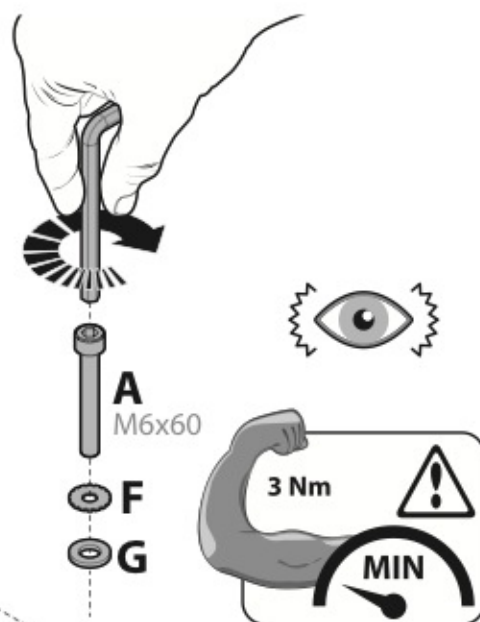
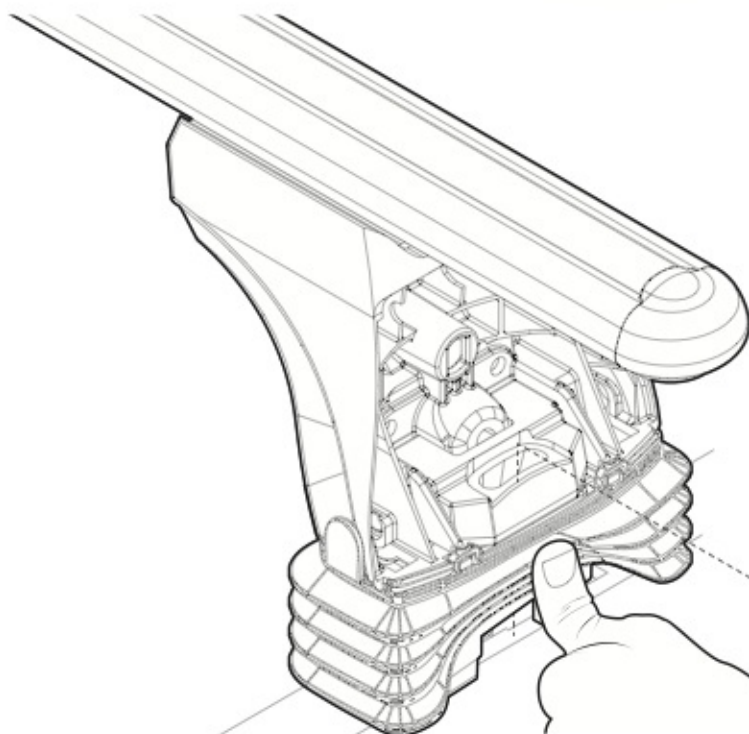
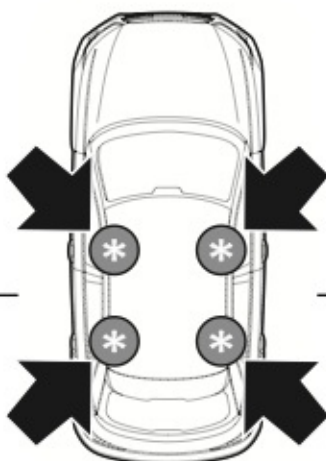
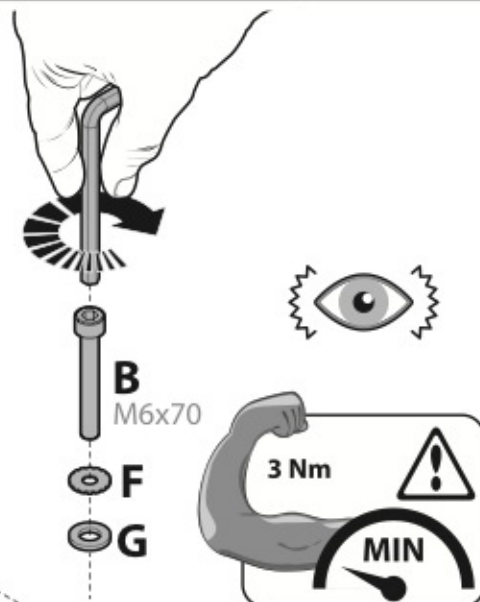
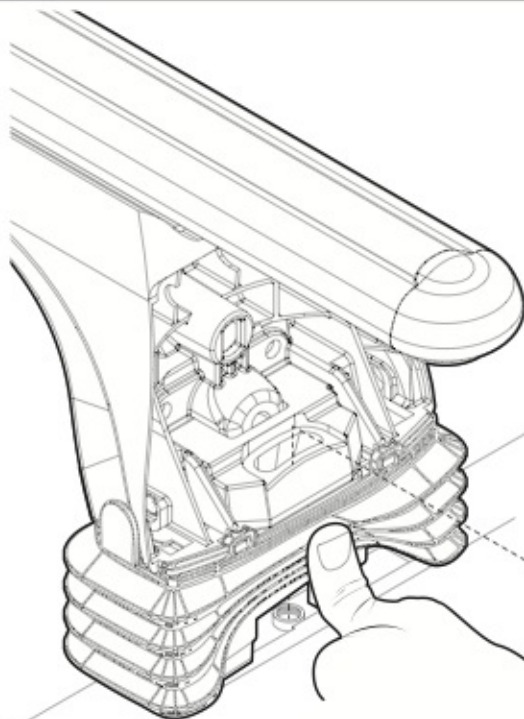
BMW  
SERIE 3  
(E46)

BMW  
SERIE 5  
(E39)



13<sup>B</sup>

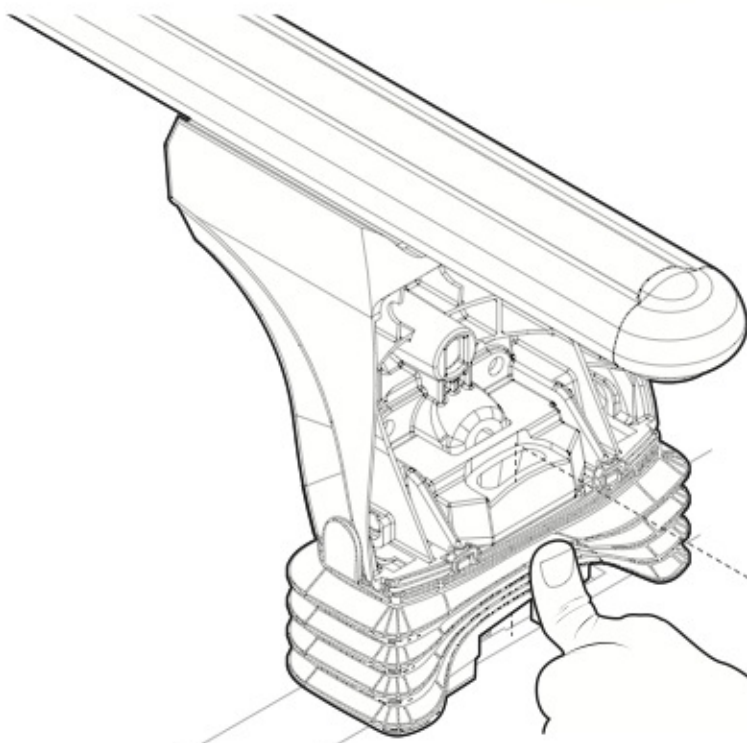
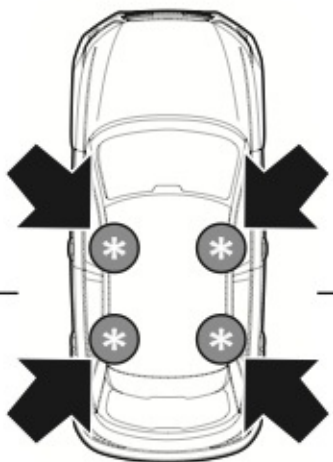
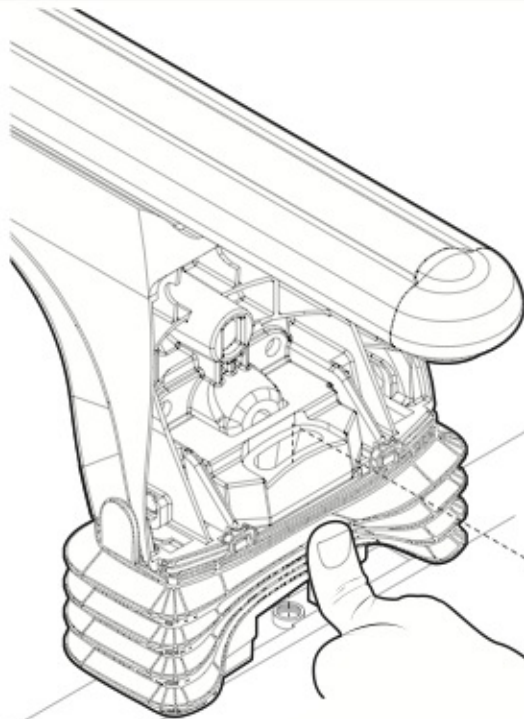
**BMW  
SERIE 3**  
(E90) BERLINA  
(E91) TOURING  
(no ralling)



13c

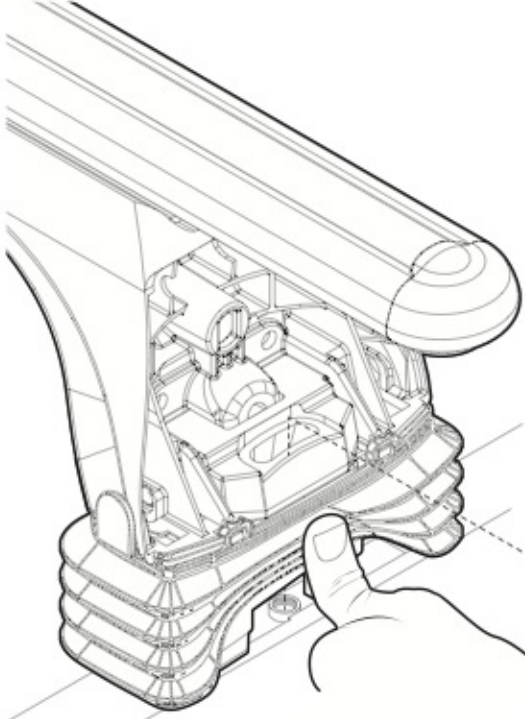
FORD  
MONDEO

4



13<sub>D</sub>

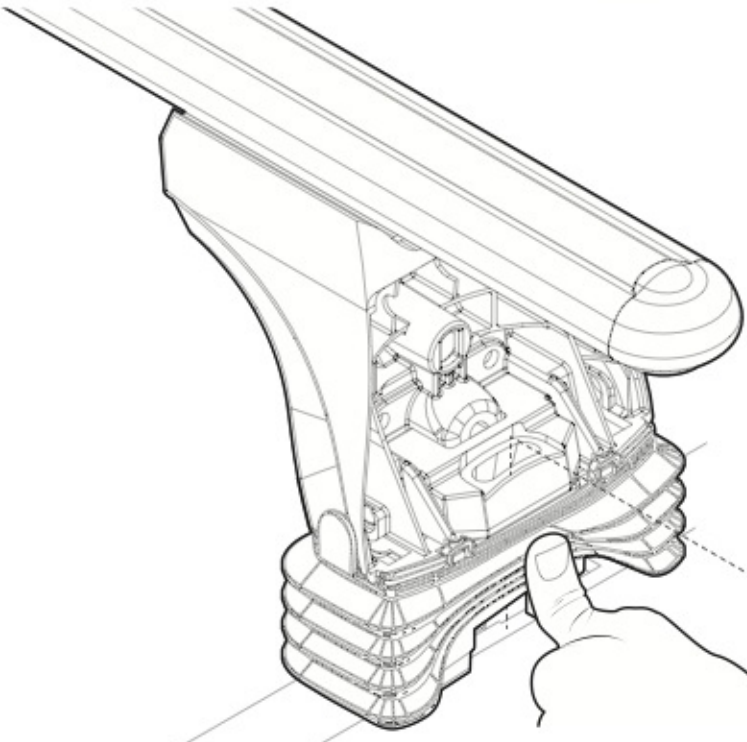
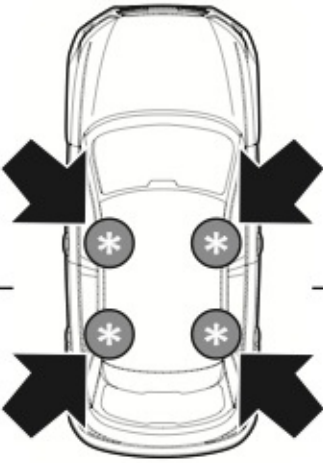
SAAB 9.3  
SPORTSEDAN



**D**  
M6x80

**F**

**G**



**E**  
M6x90

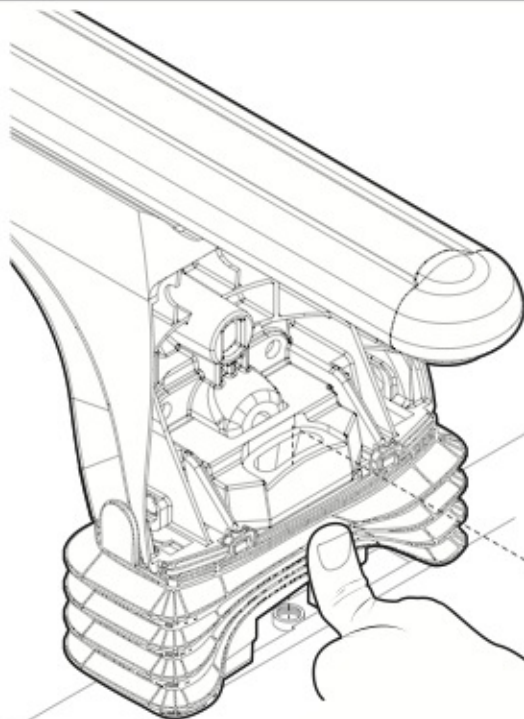
**F**

**G**



13<sup>E</sup>

SAAB 9.3  
SPORTHATCH  
(no ralling)



C  
M6x75

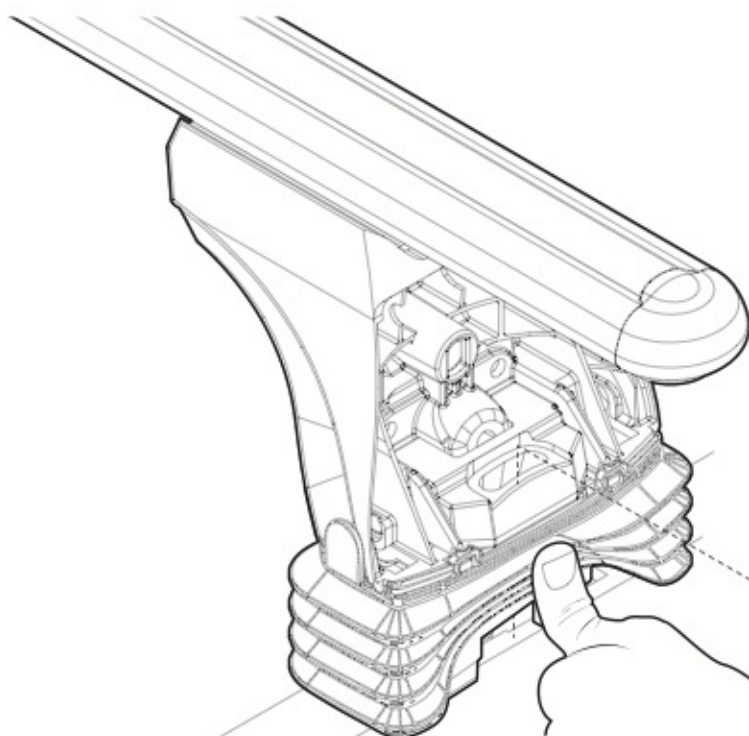
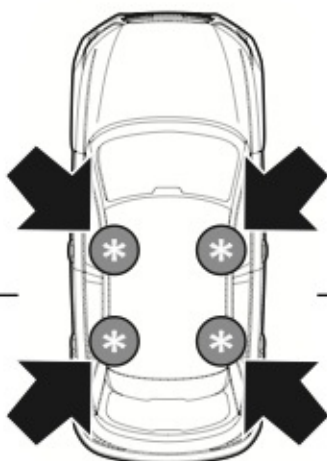
F  
G



3 Nm



MIN



C  
M6x75

F  
G

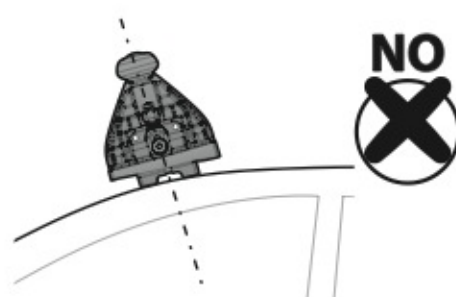
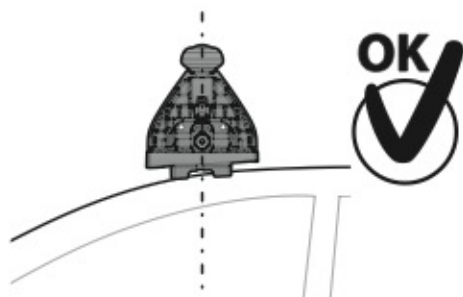


3 Nm

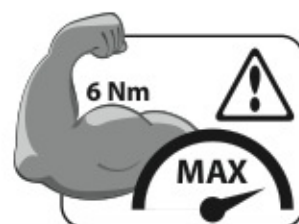
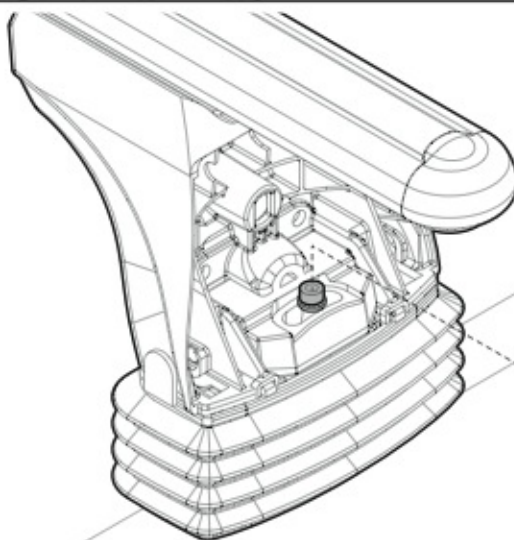
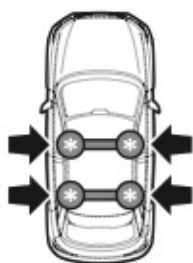


MIN

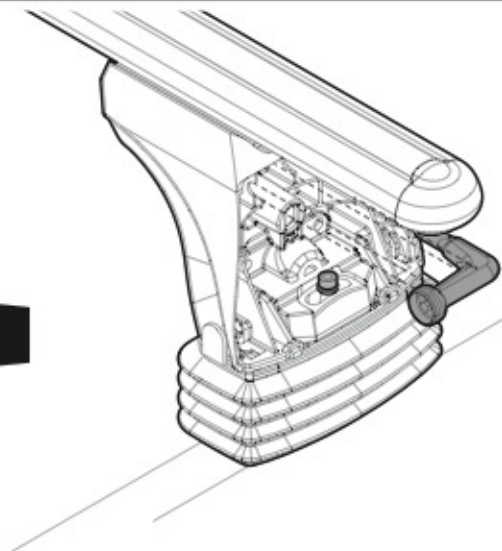
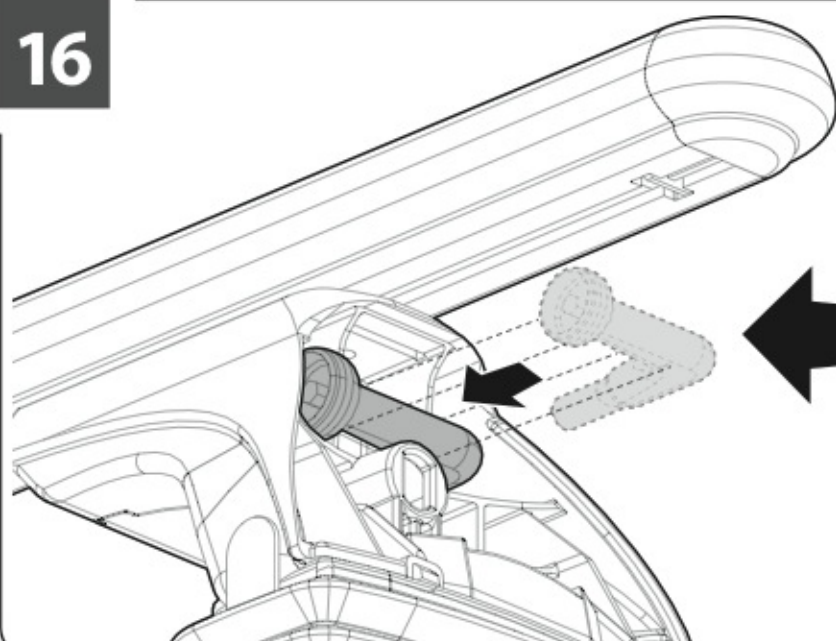
14



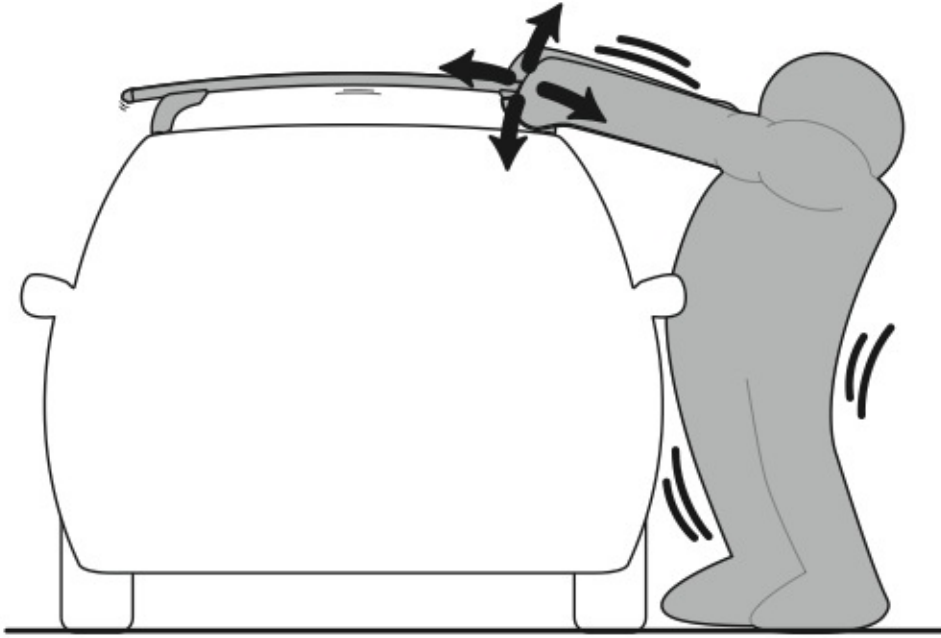
15



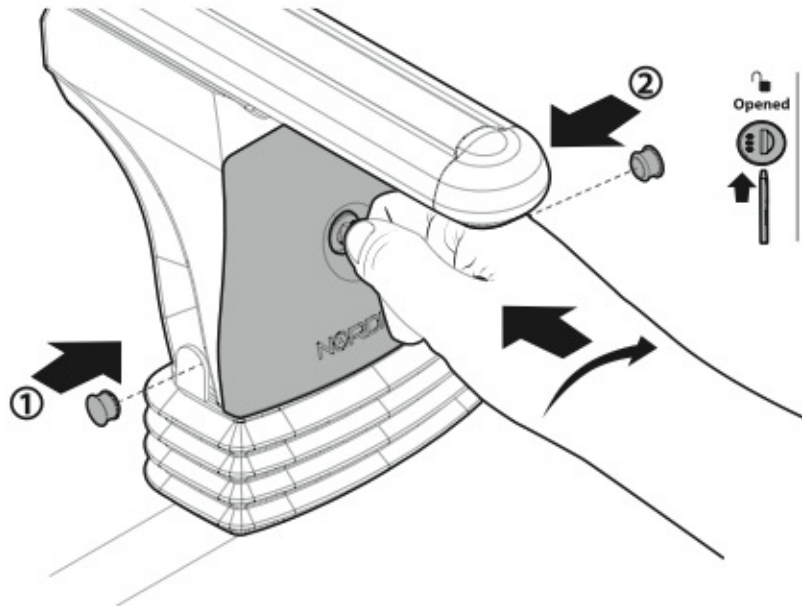
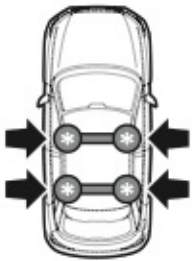
16



17



18



# EVOS

**NORDRIVE**<sup>®</sup>  
TRANSPORT SOLUTIONS

is a registered trade mark of

**LAMPA S.p.A.**

Via G. Rossa 53/55, 46019 Viadana (MN) ITALY

Tel. +39 0375 820700

UNI EN ISO 9001:2008 Certified Company

[www.nordrive.it](http://www.nordrive.it)

[www.lampa.it](http://www.lampa.it)