

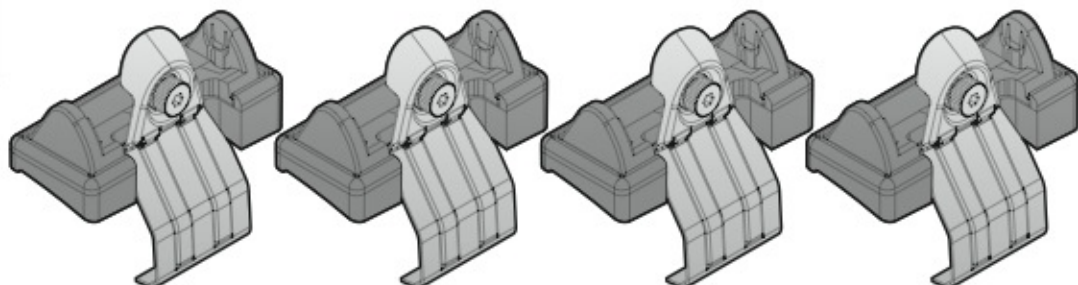
FIAT BRAVO

5



2/07 →

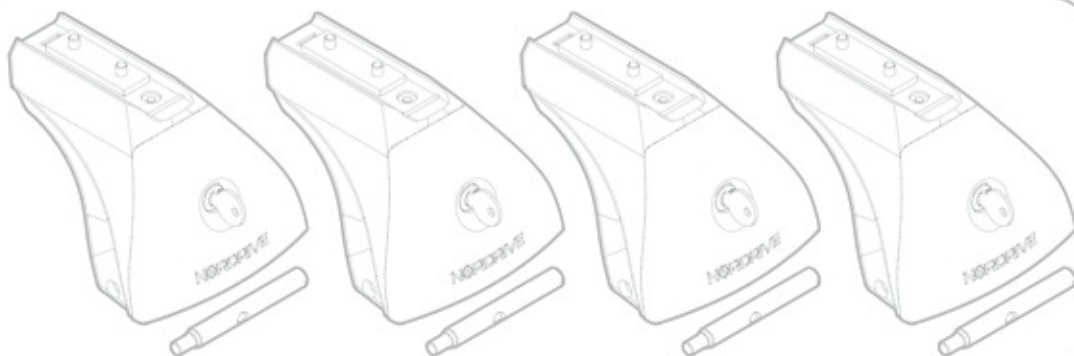
Art.
N21062



C



Art. **N20001**



B

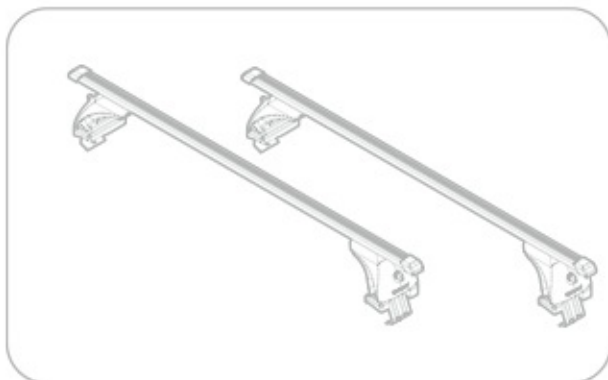


Art. **N15020**



A

ACCIAIO
Steel

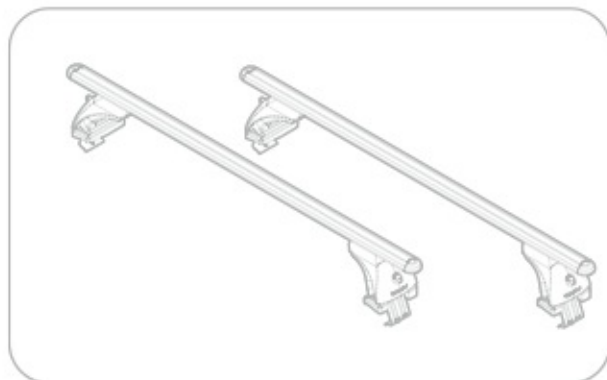





Art. **N15025**



A

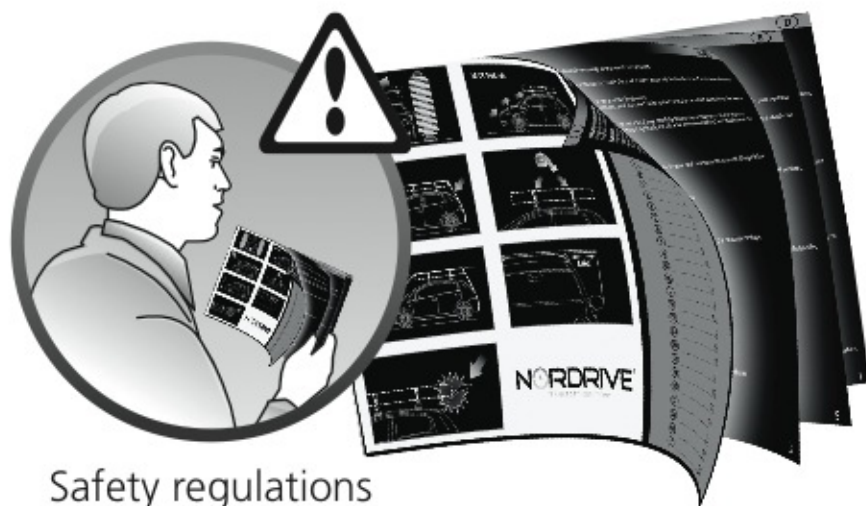
ALLUMINIO
Aluminium



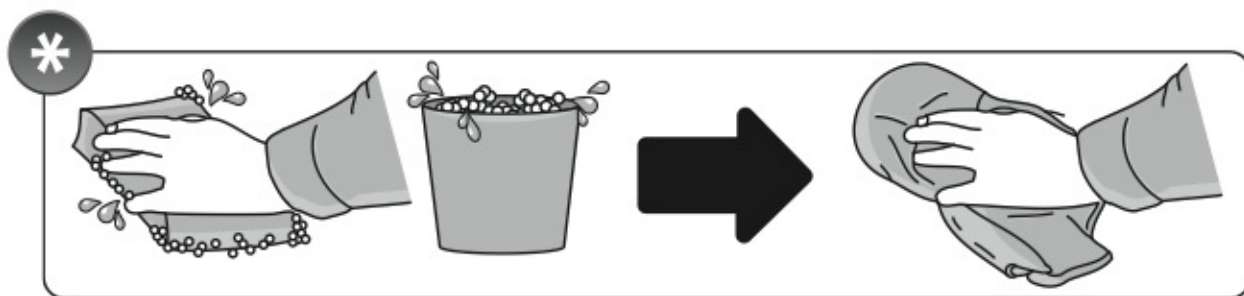
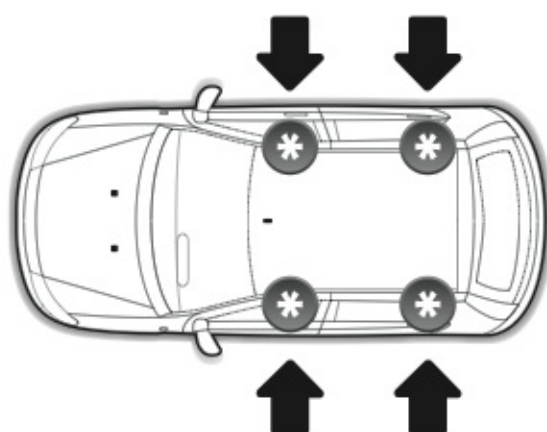
 +  +  = max: **60kg**
5,5kg



max:
???kg

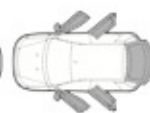


Safety regulations



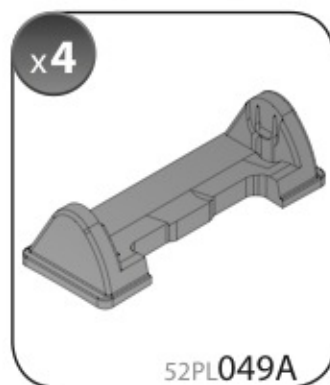
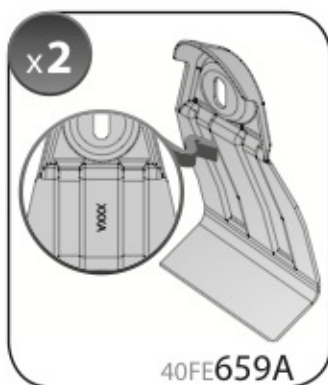
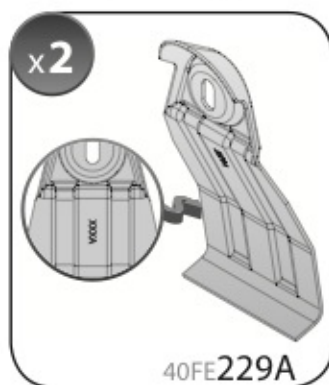
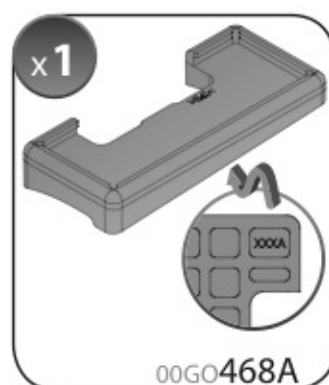
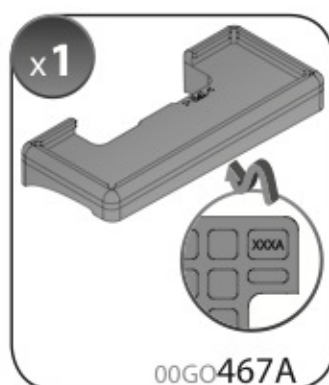
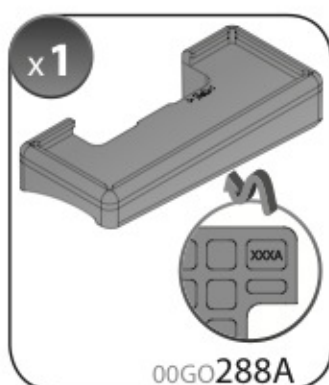
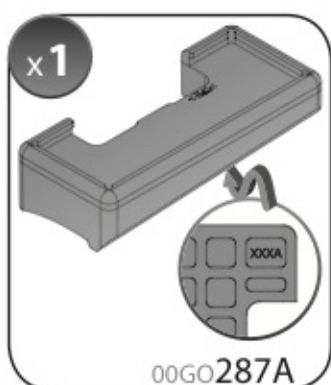


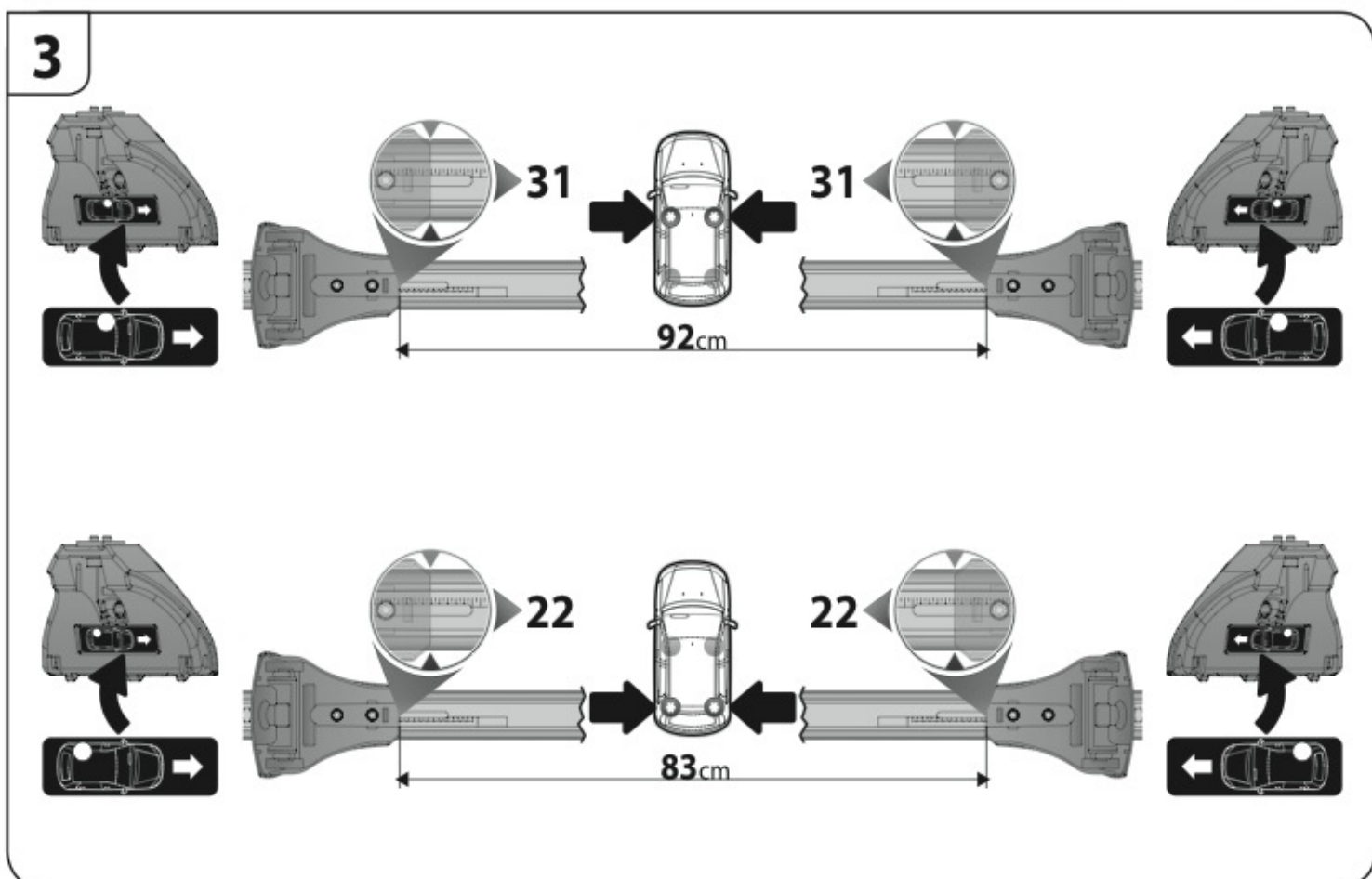
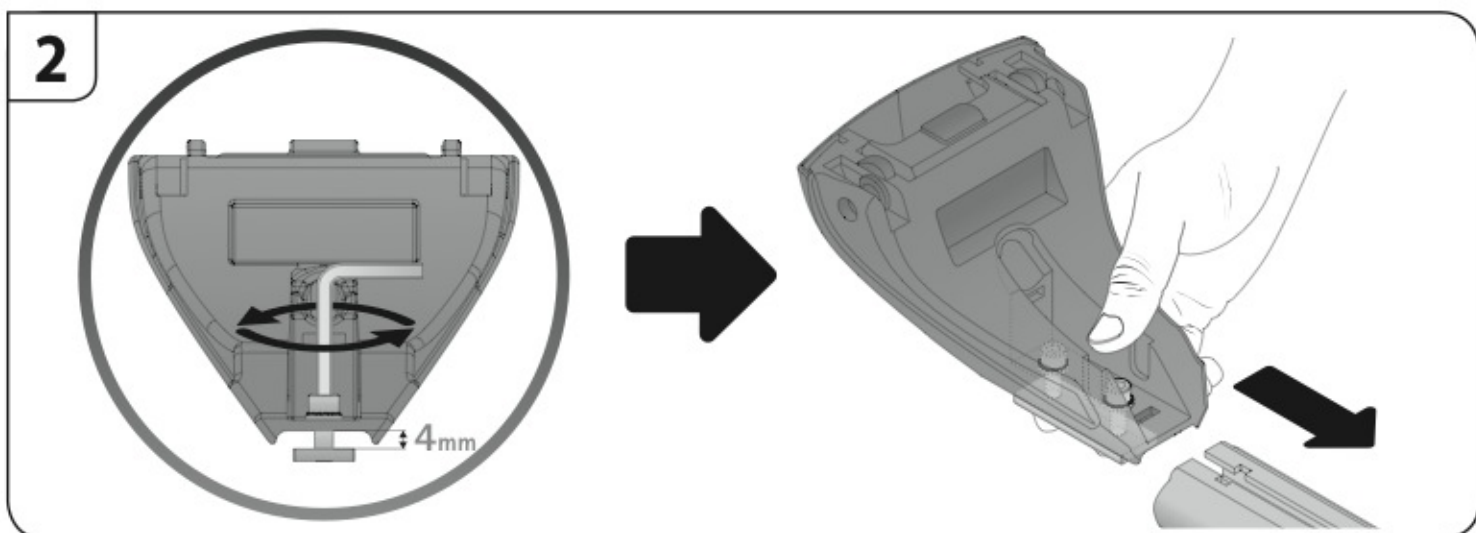
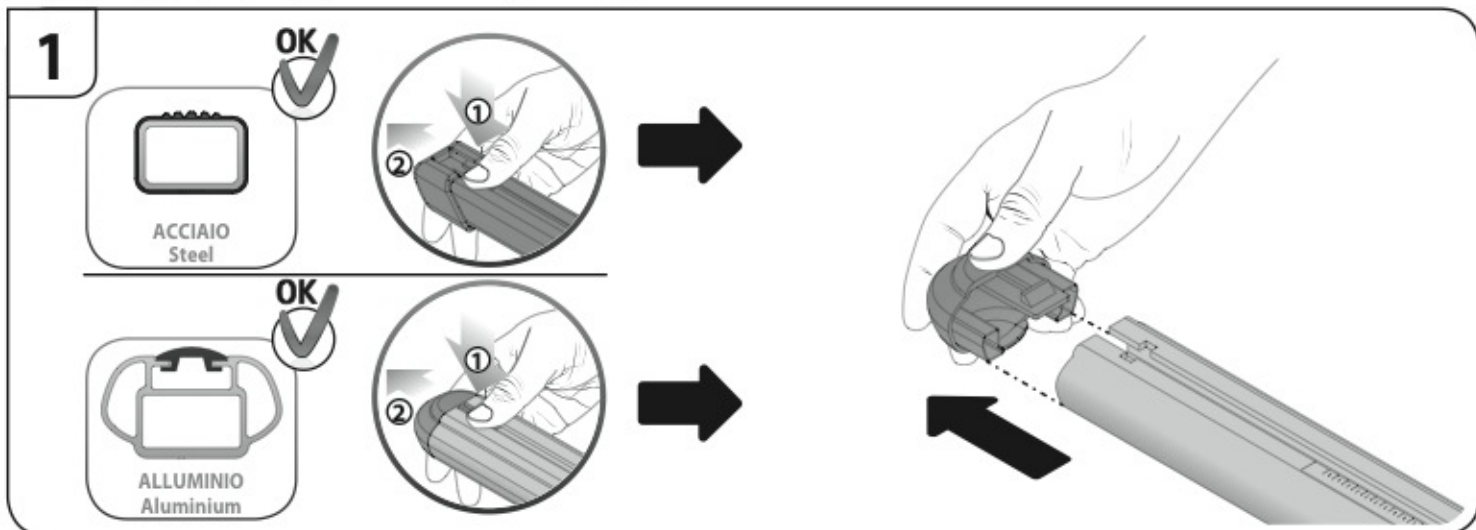
FIAT BRAVO



2/07 →

Art. **N21062**





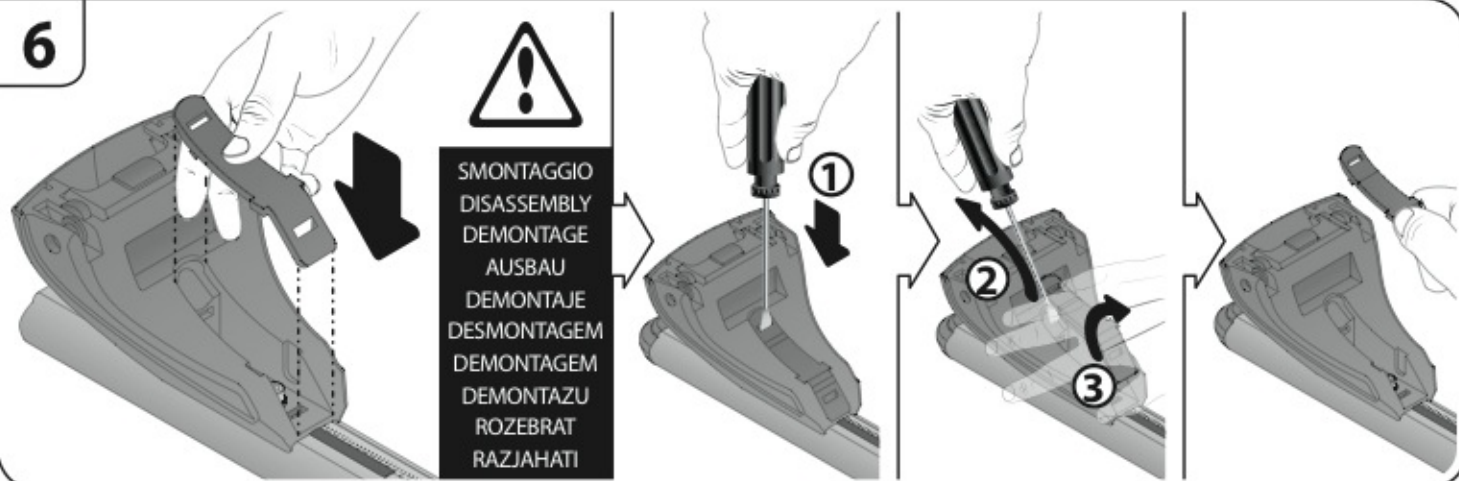
4



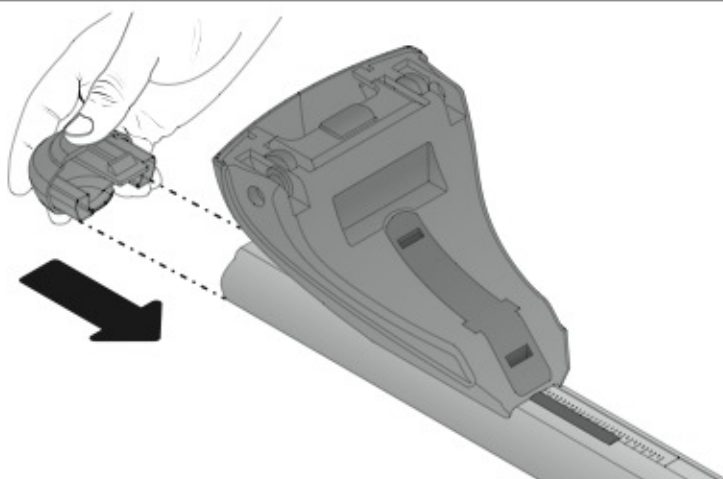
5

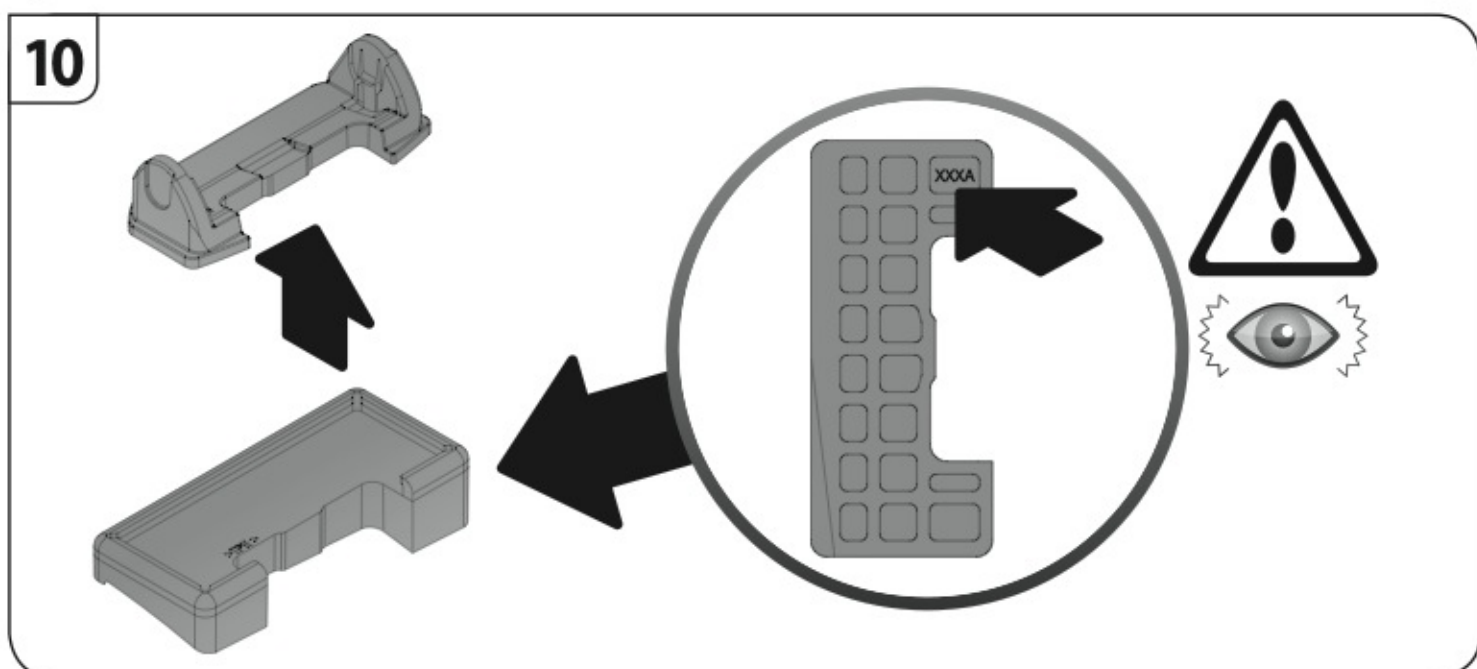
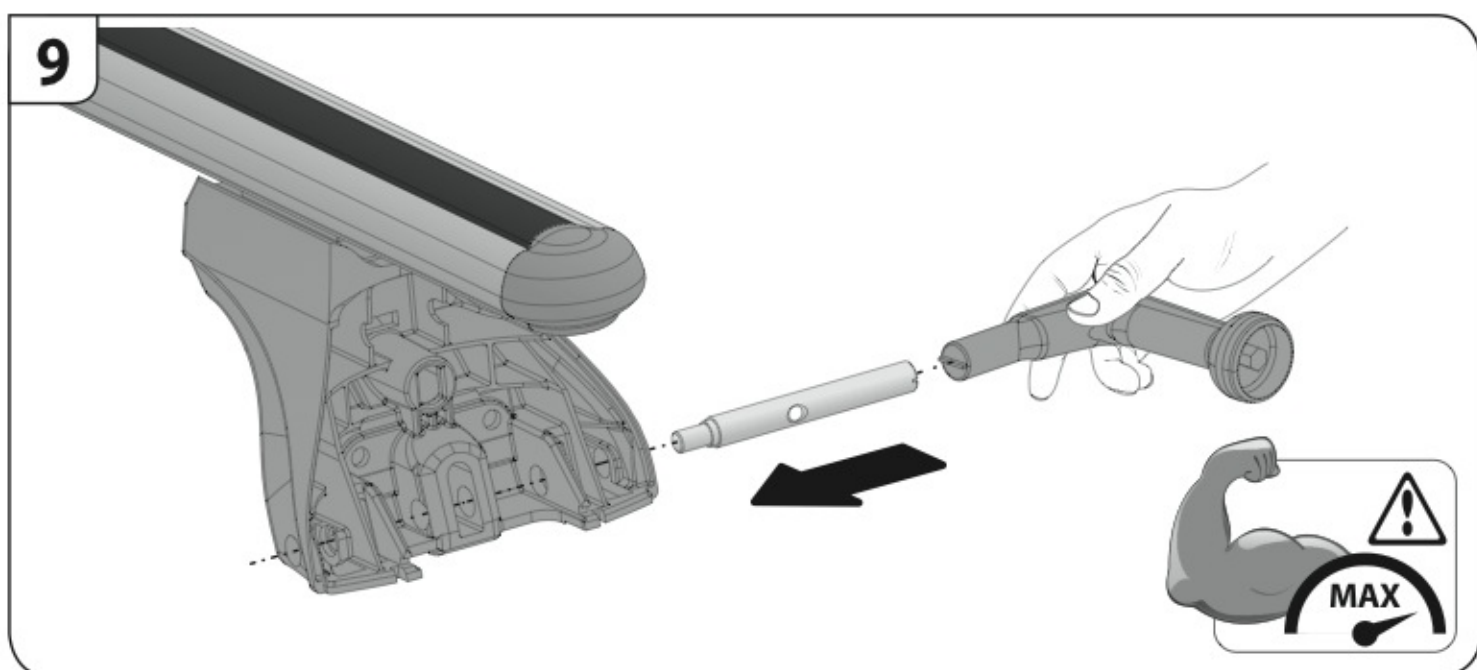
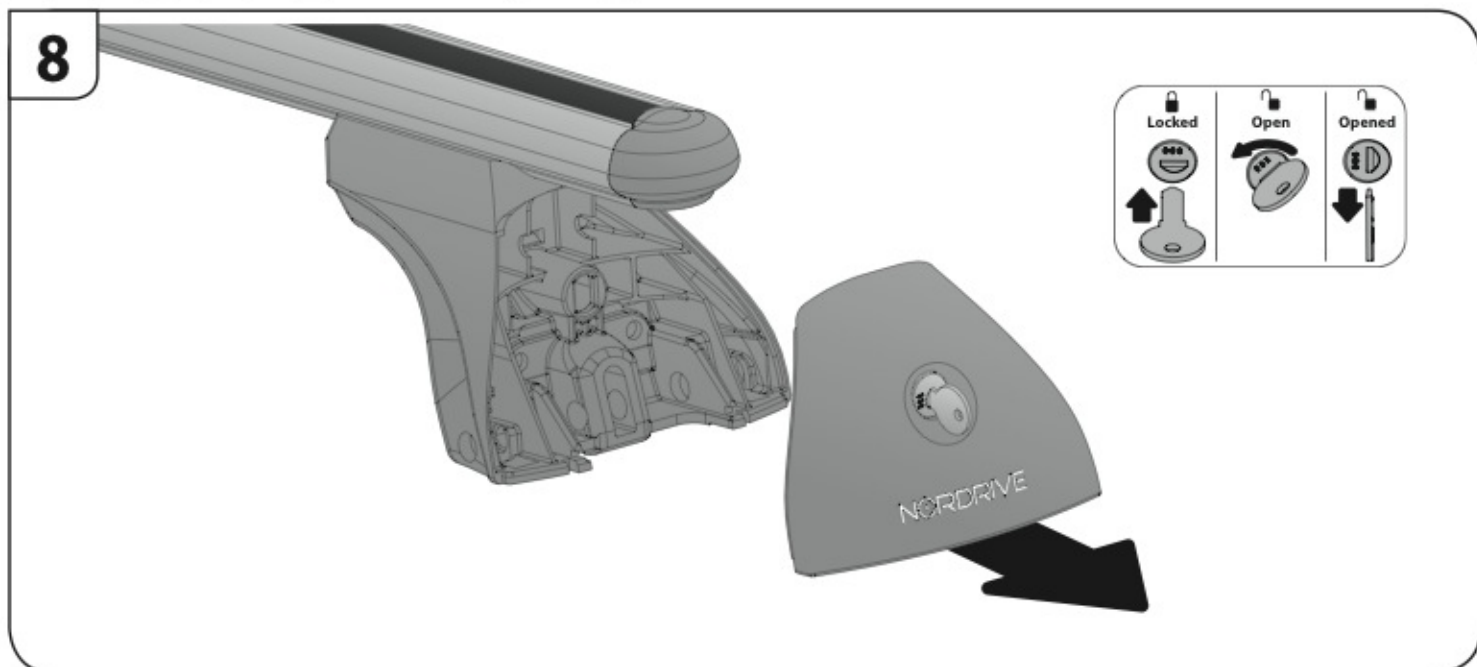


6

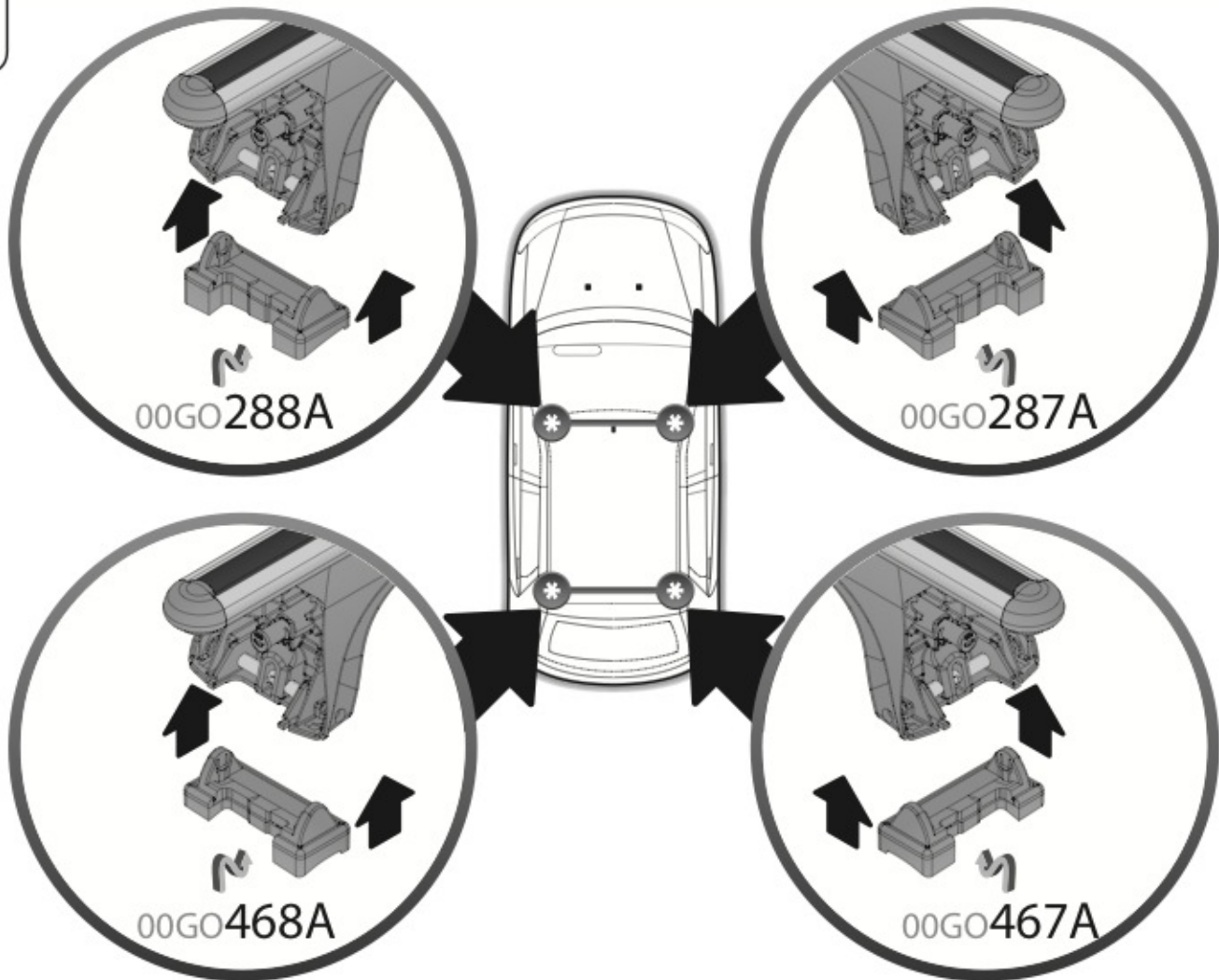


7

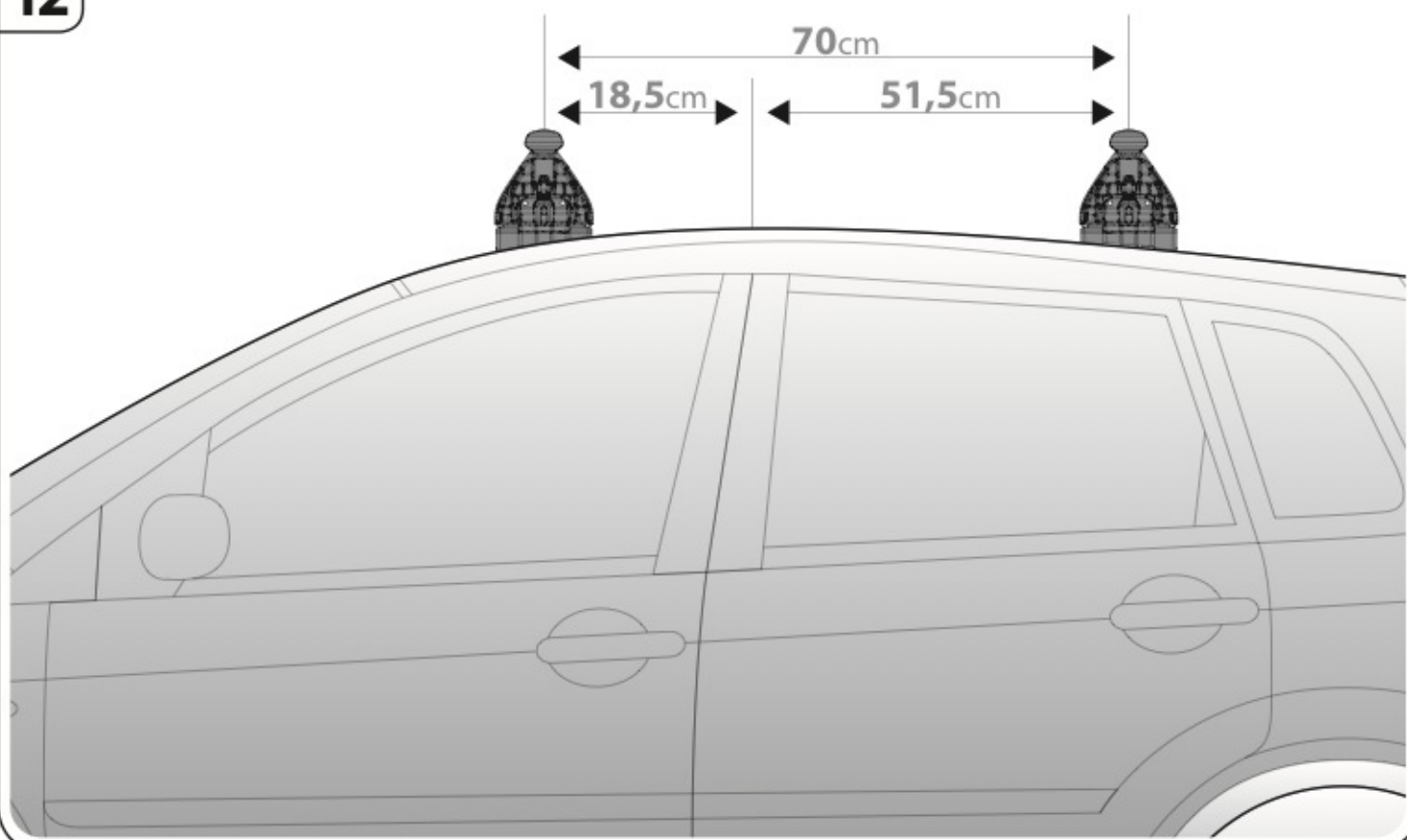




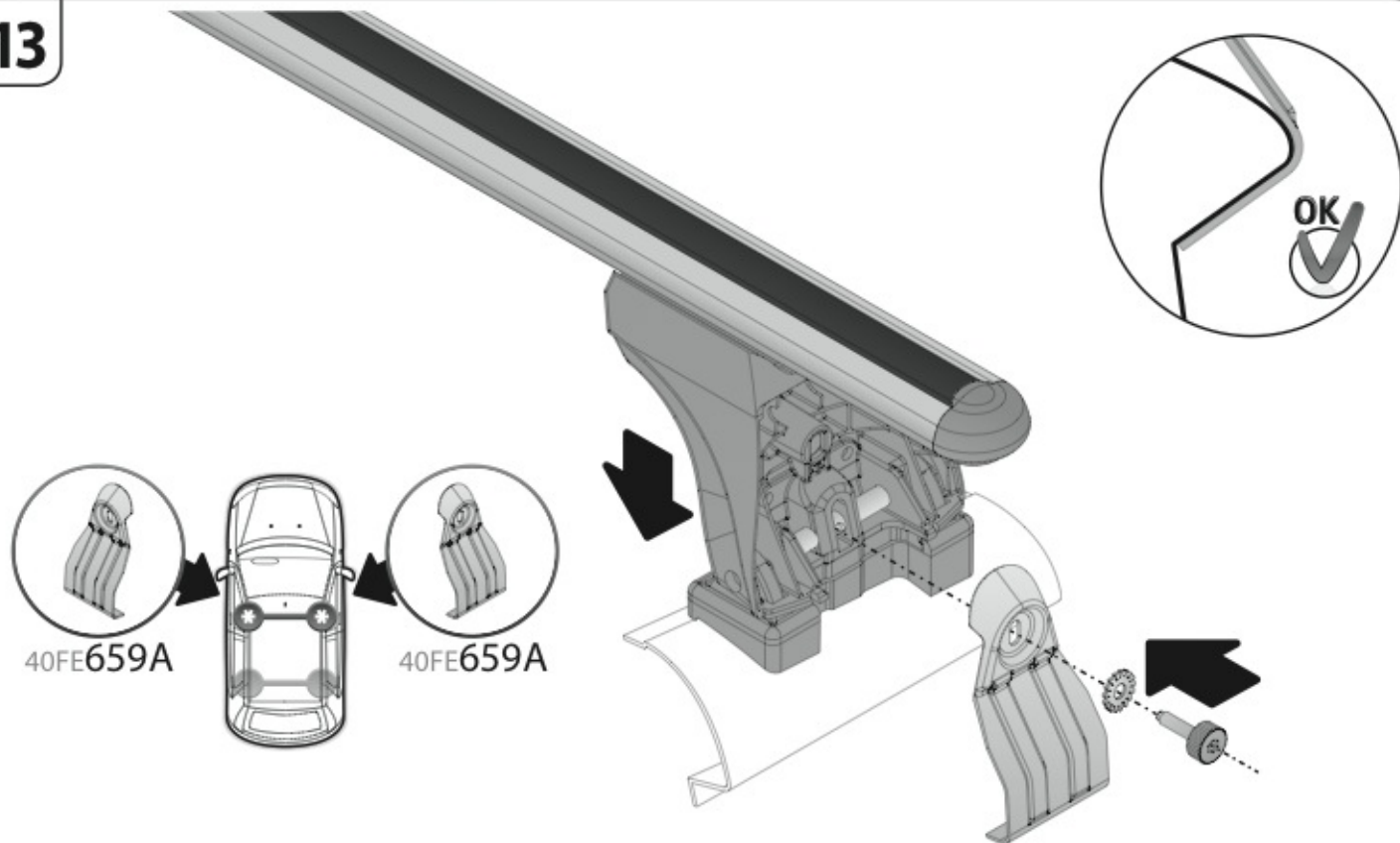
11



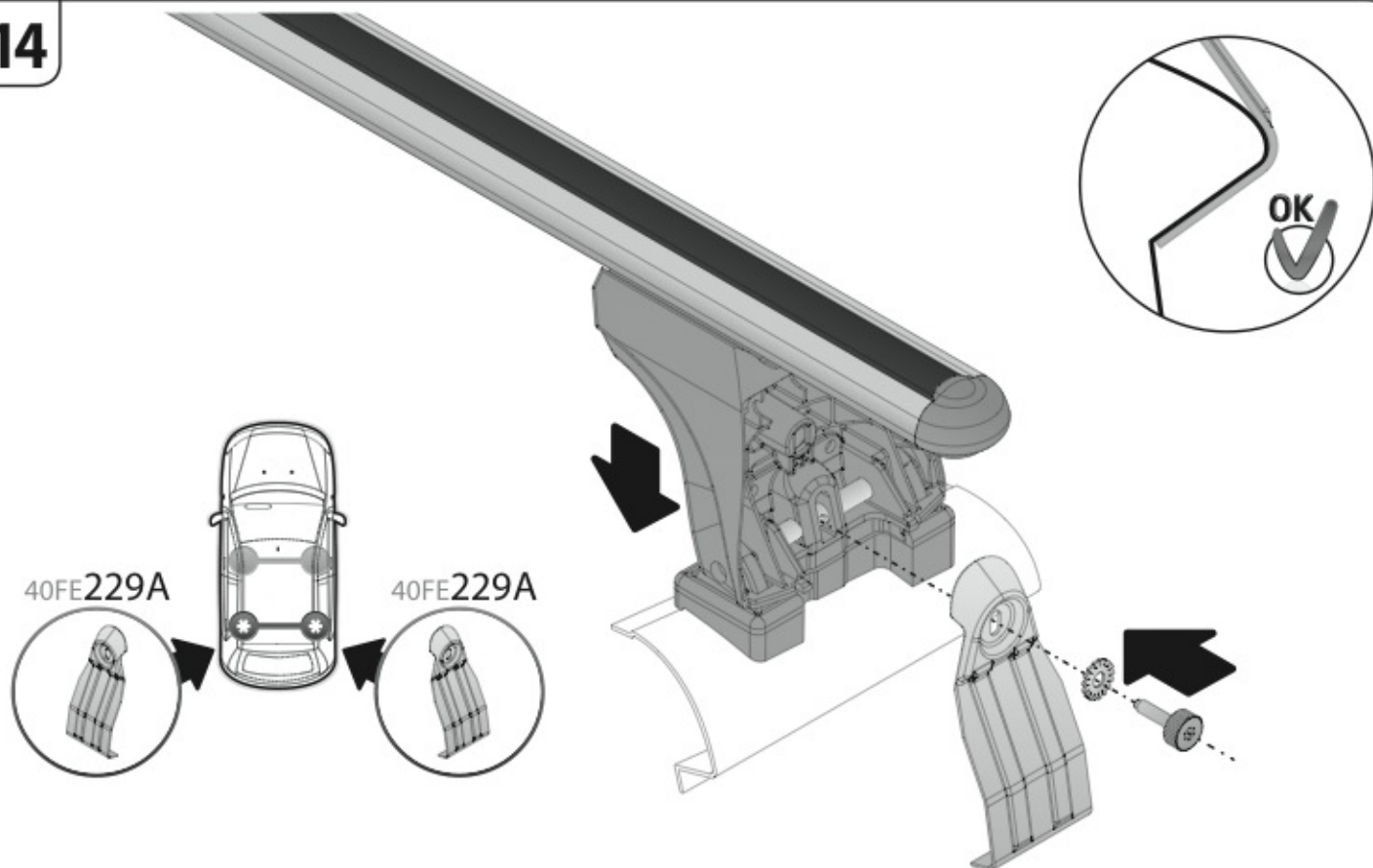
12



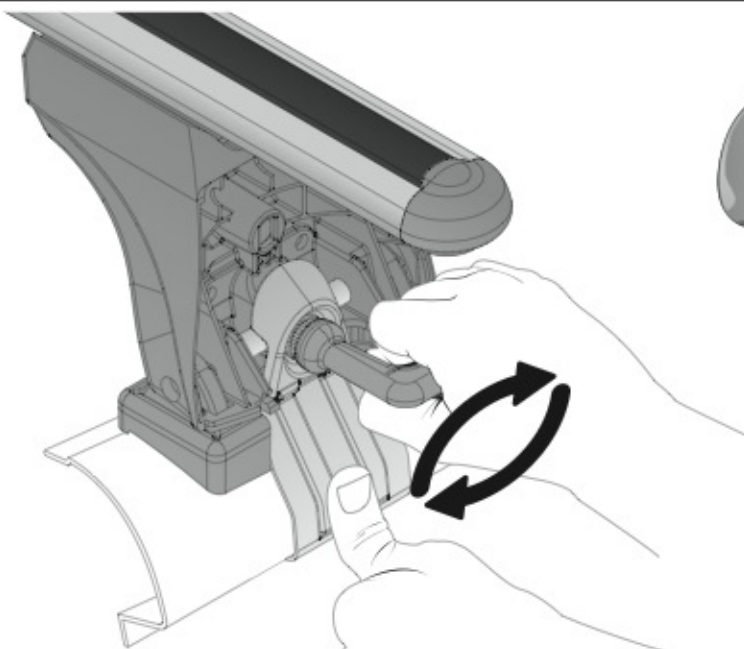
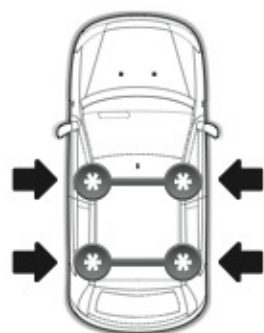
13



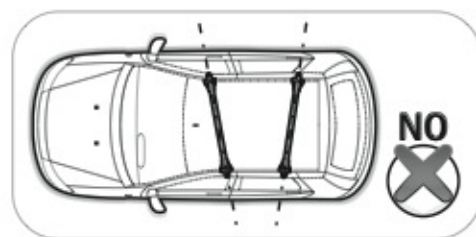
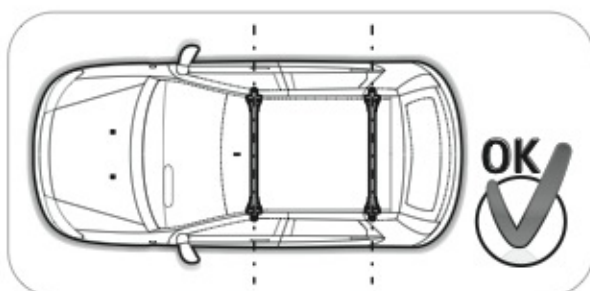
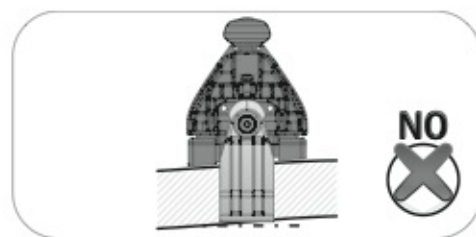
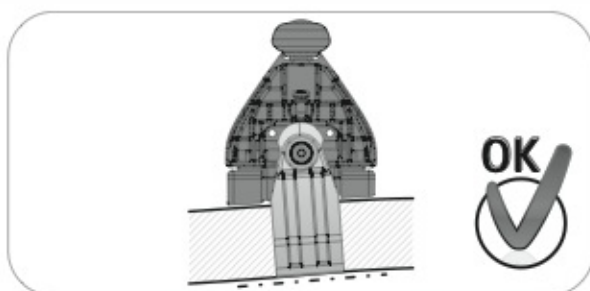
14



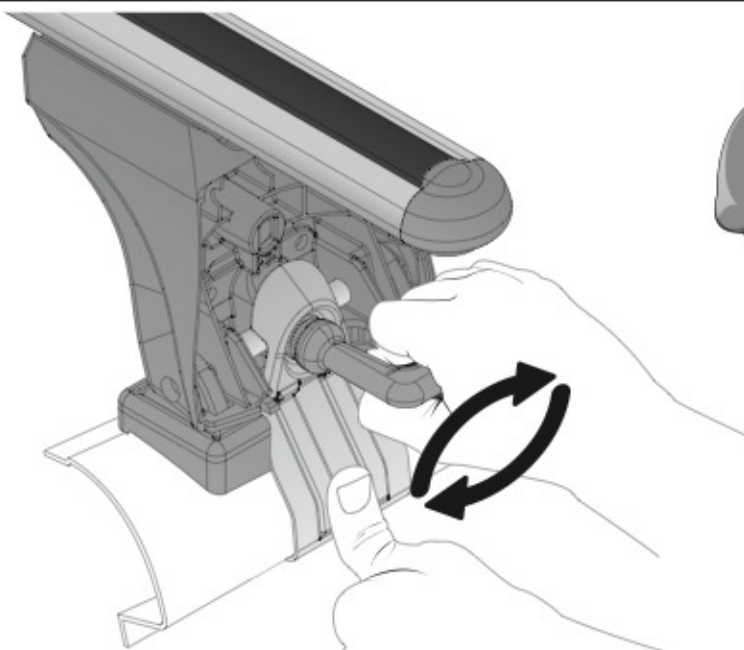
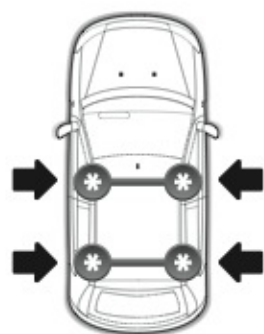
15



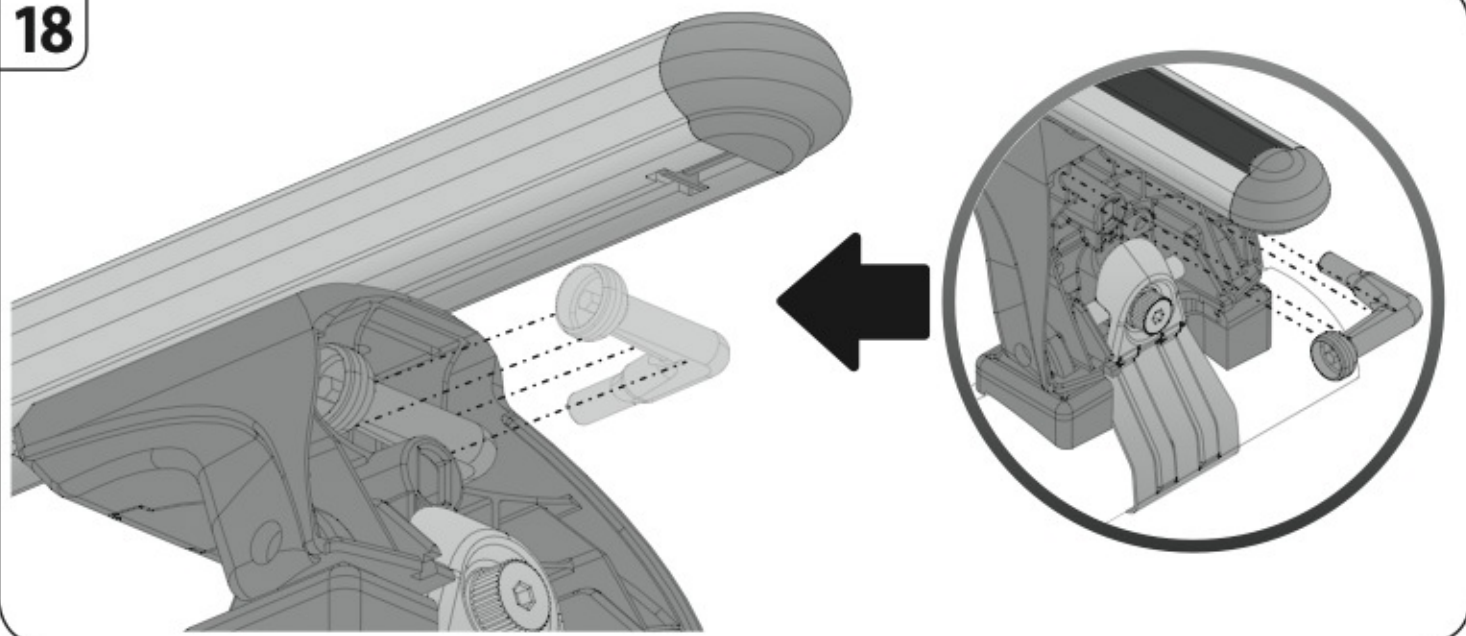
16



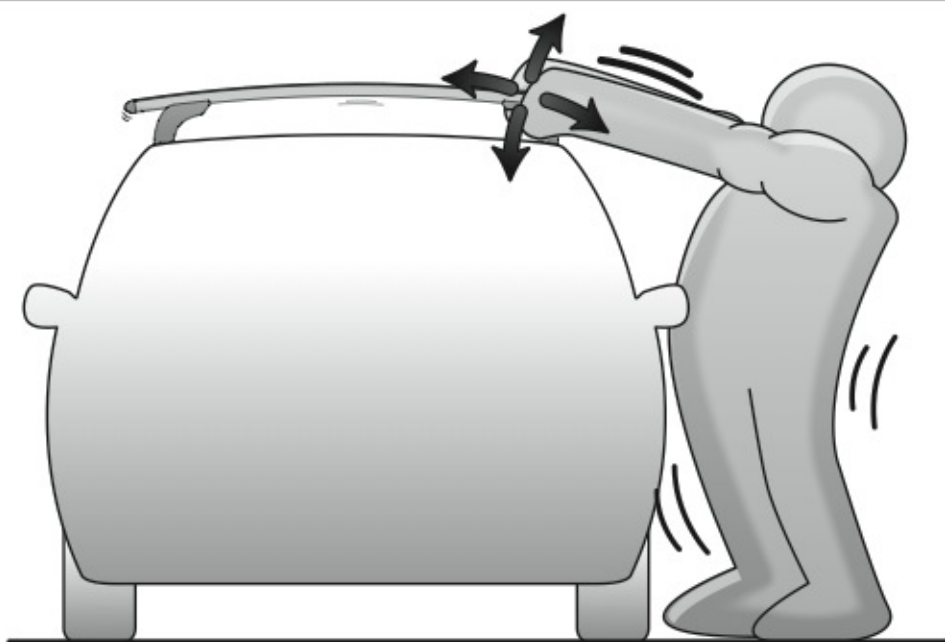
17



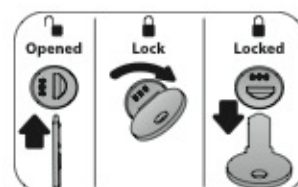
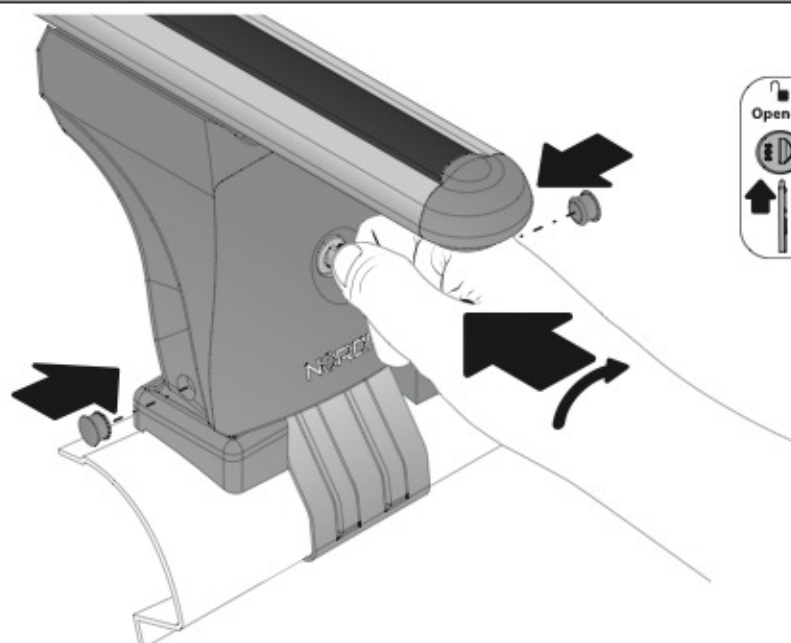
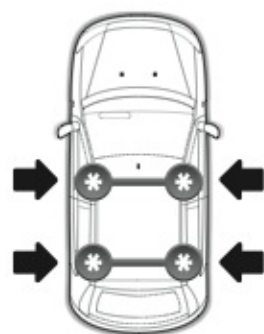
18



19



20



EVOS

EVOLUZIONE ZERO SYSTEM

NORDRIVE[®]
TRANSPORT SOLUTIONS

is a registered trade mark of

LAMPA S.p.A.

46019 Viadana (MN) ITALY

Ditta certificata UNI EN ISO 9001:2008

www.nordrive.it

www.lampa.it