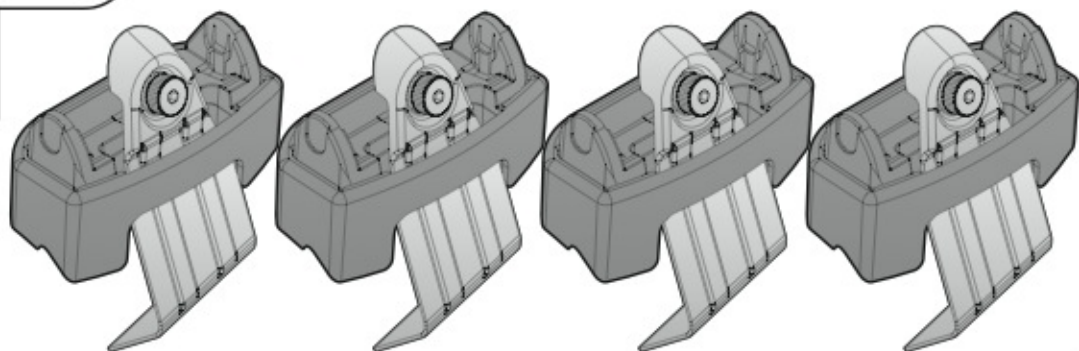


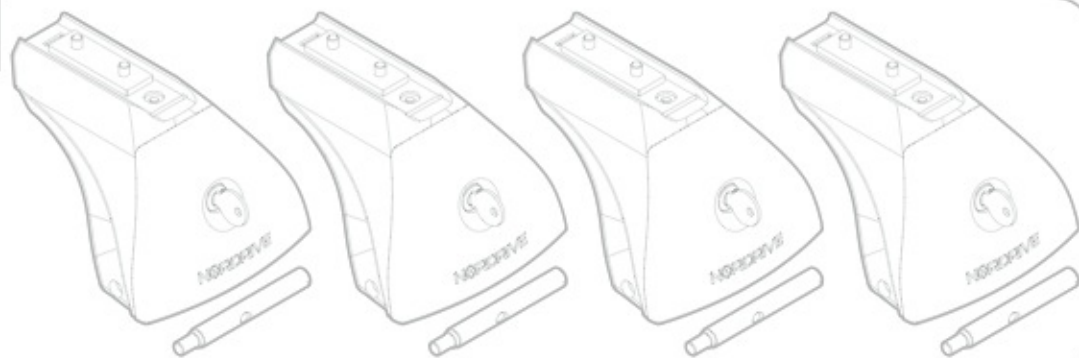
Art.
N21105



C

+

Art. **N20001**



B

+

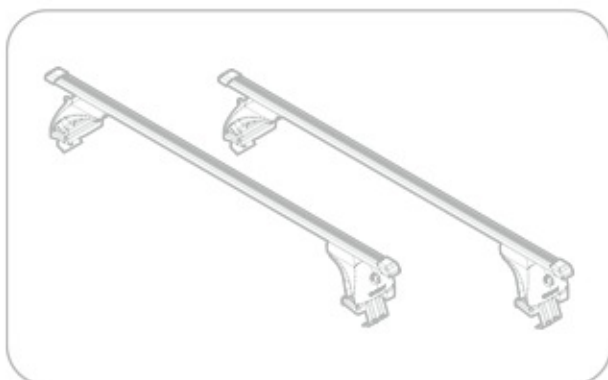
Art. **N15020**



A

ACCIAIO
Steel

=



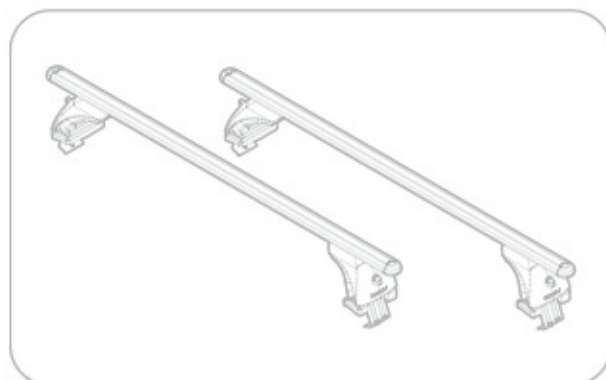
Art. **N15025**



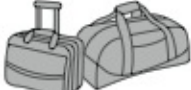


A

ALLUMINIO
Aluminium

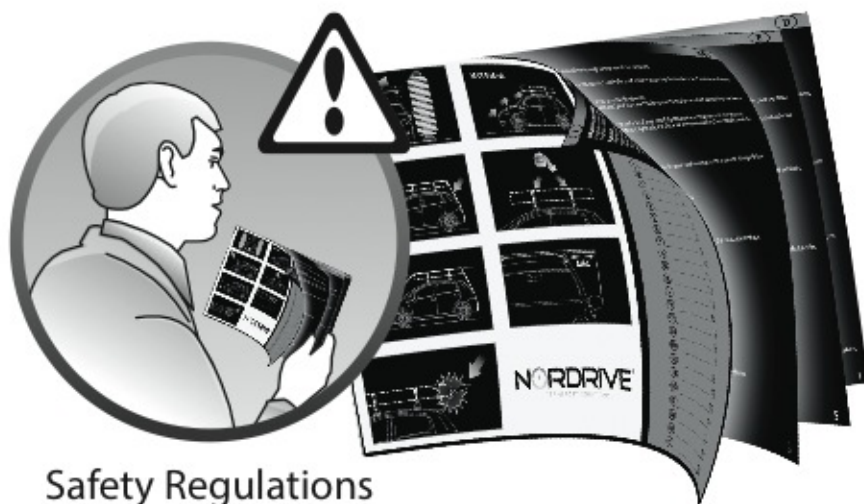
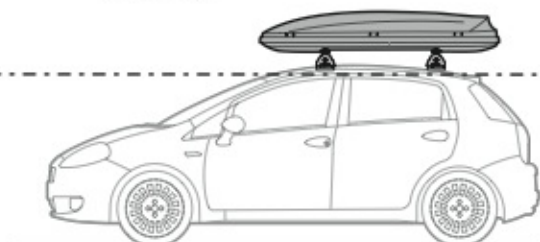
=



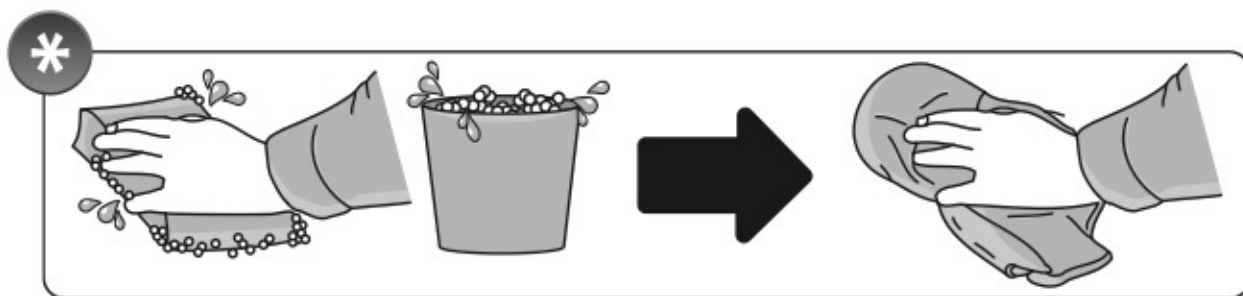
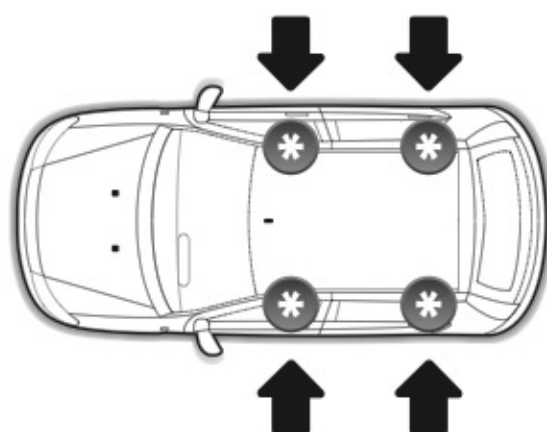
 +  +  = max: **75kg**



max:
???kg



Safety Regulations

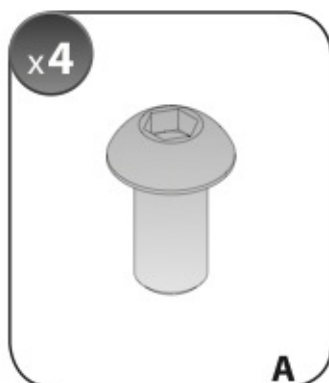
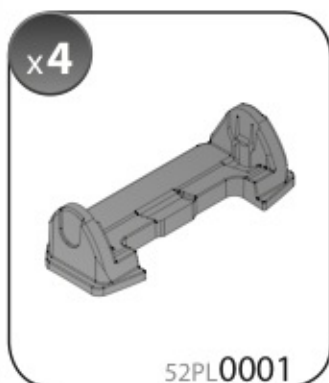
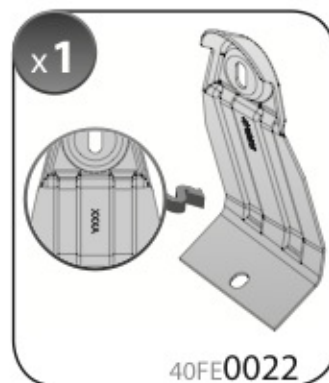
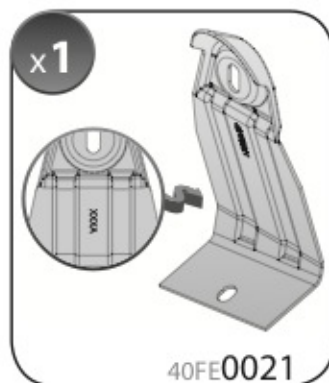
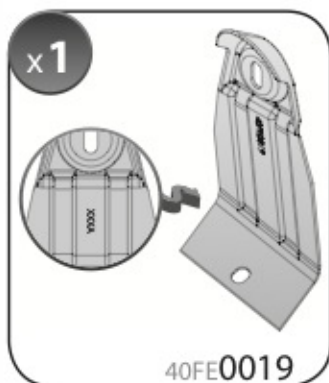
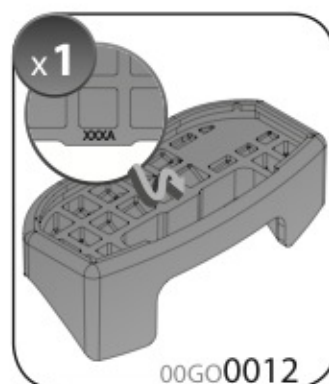
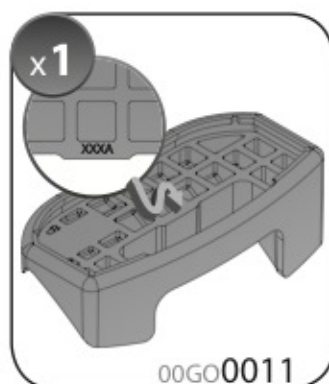
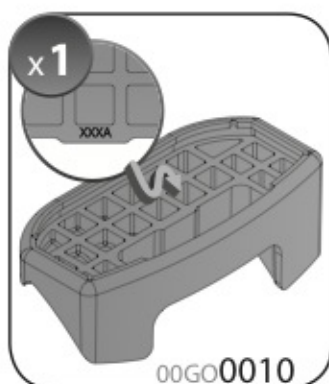
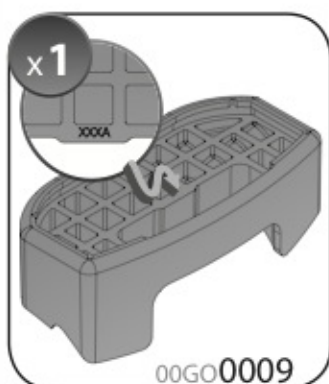
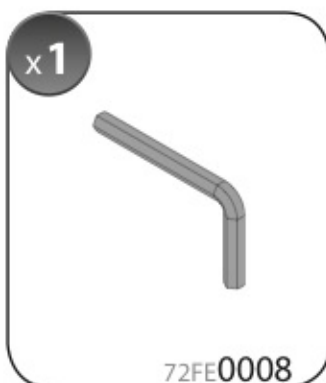


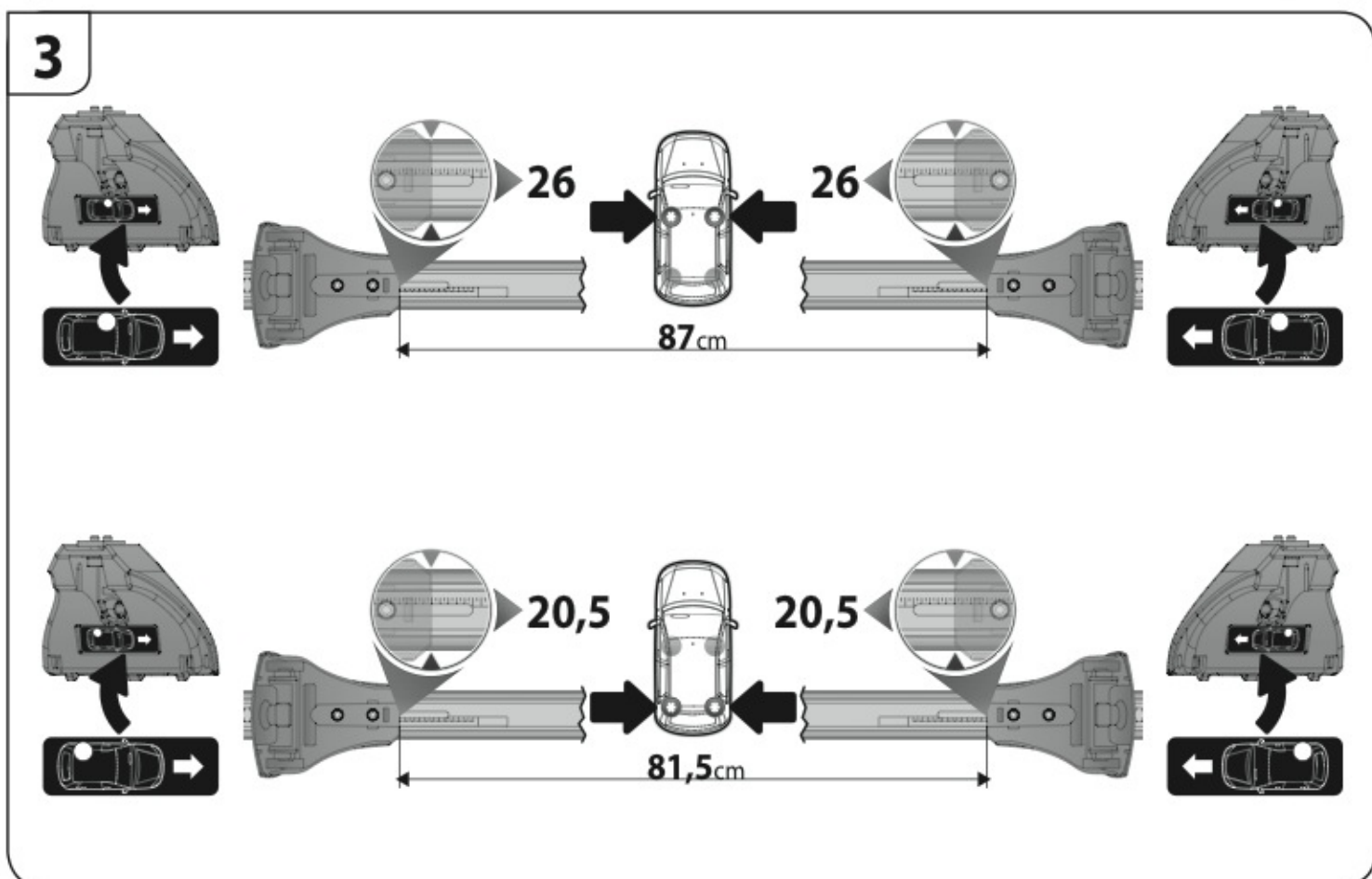
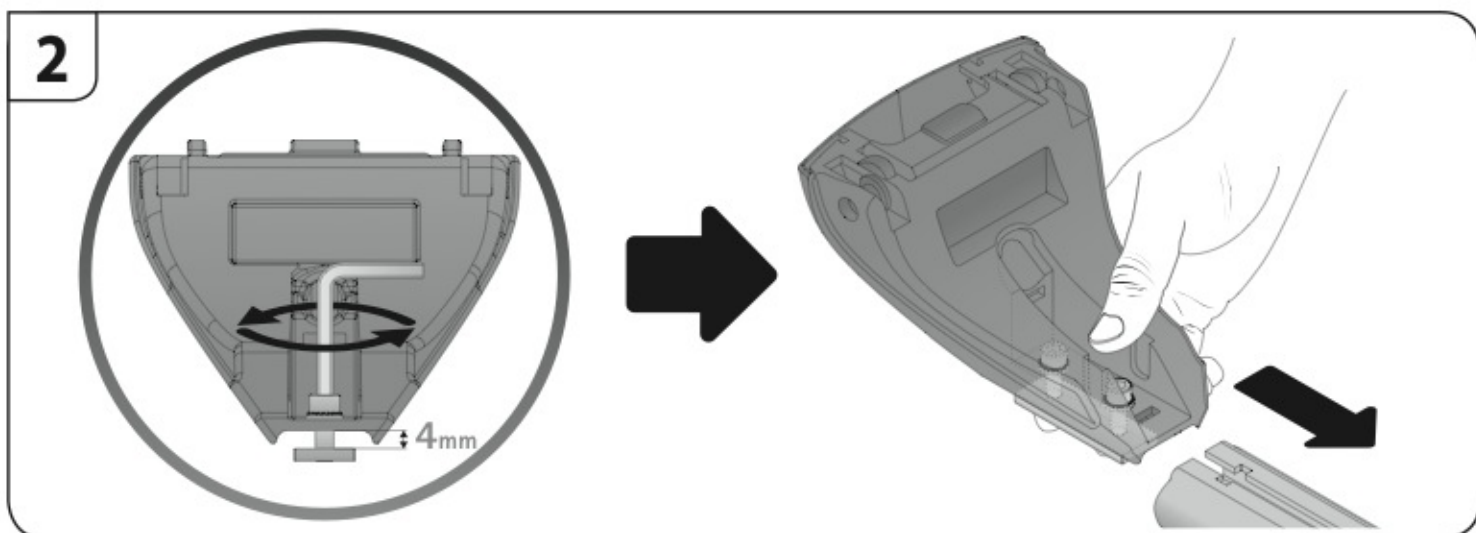
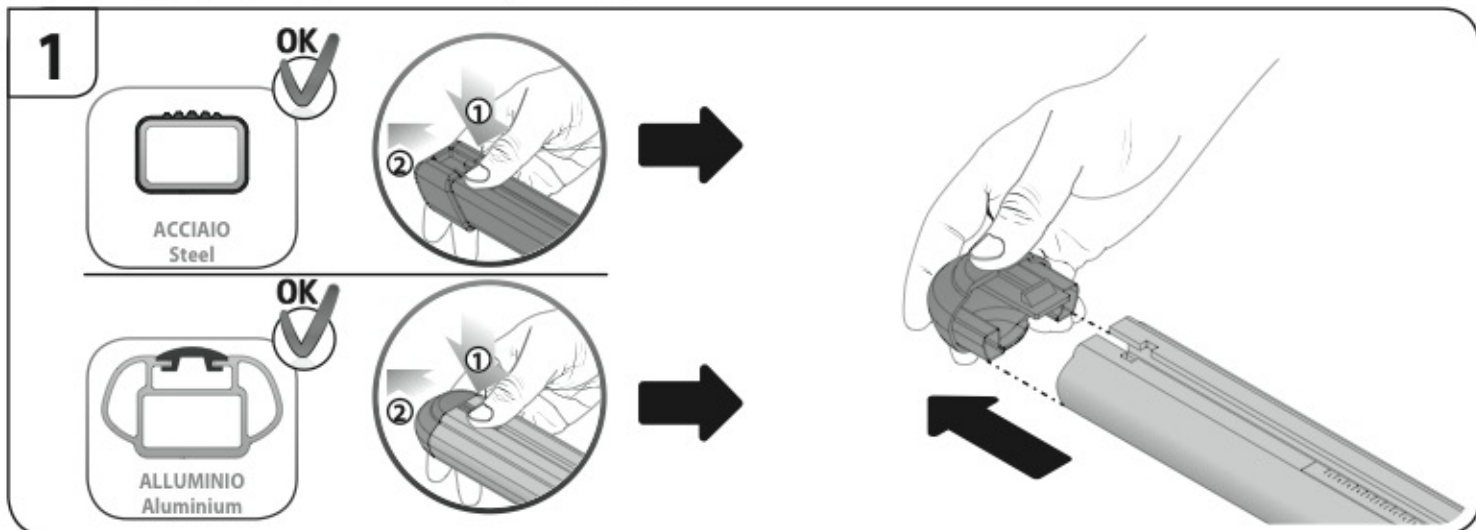


LANCIA YPSILON

6/11 →

Art. **N21105**





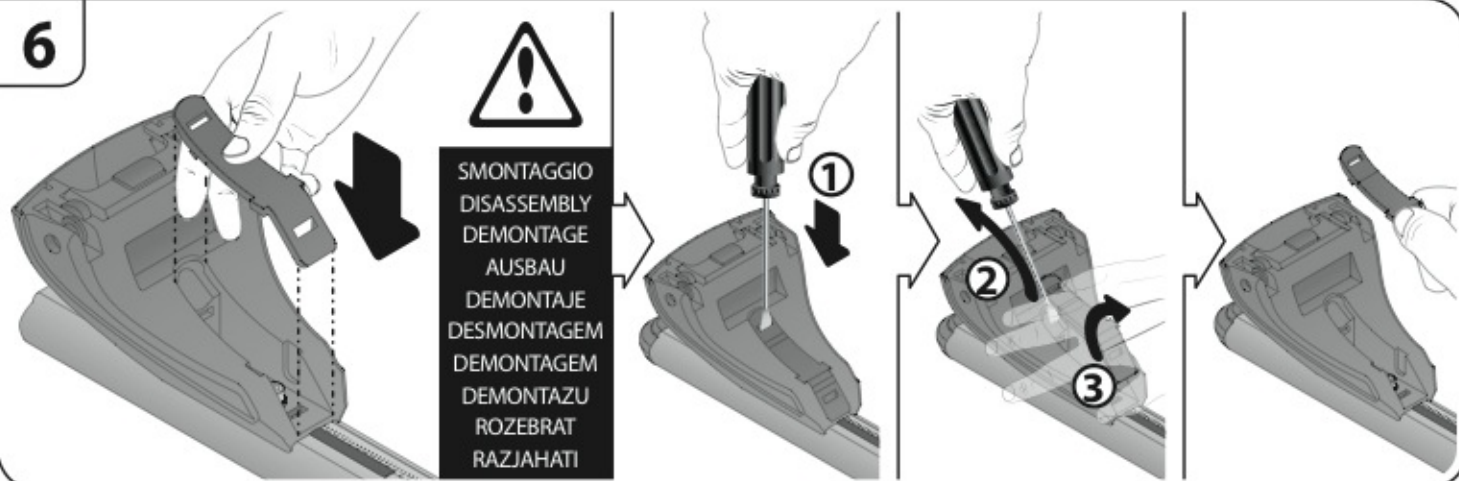
4



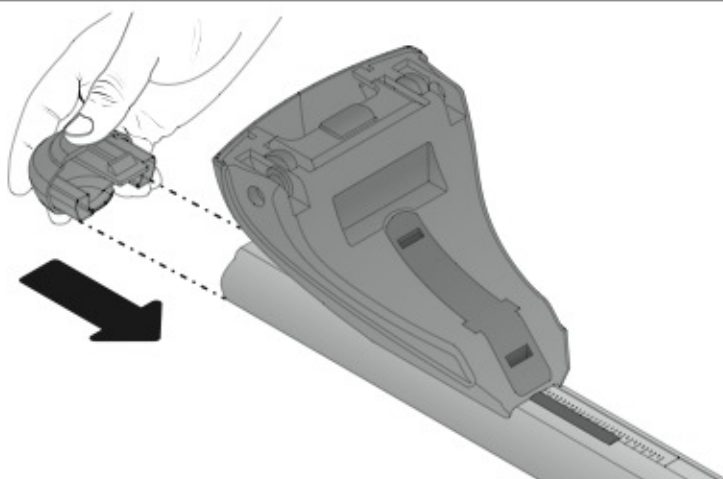
5

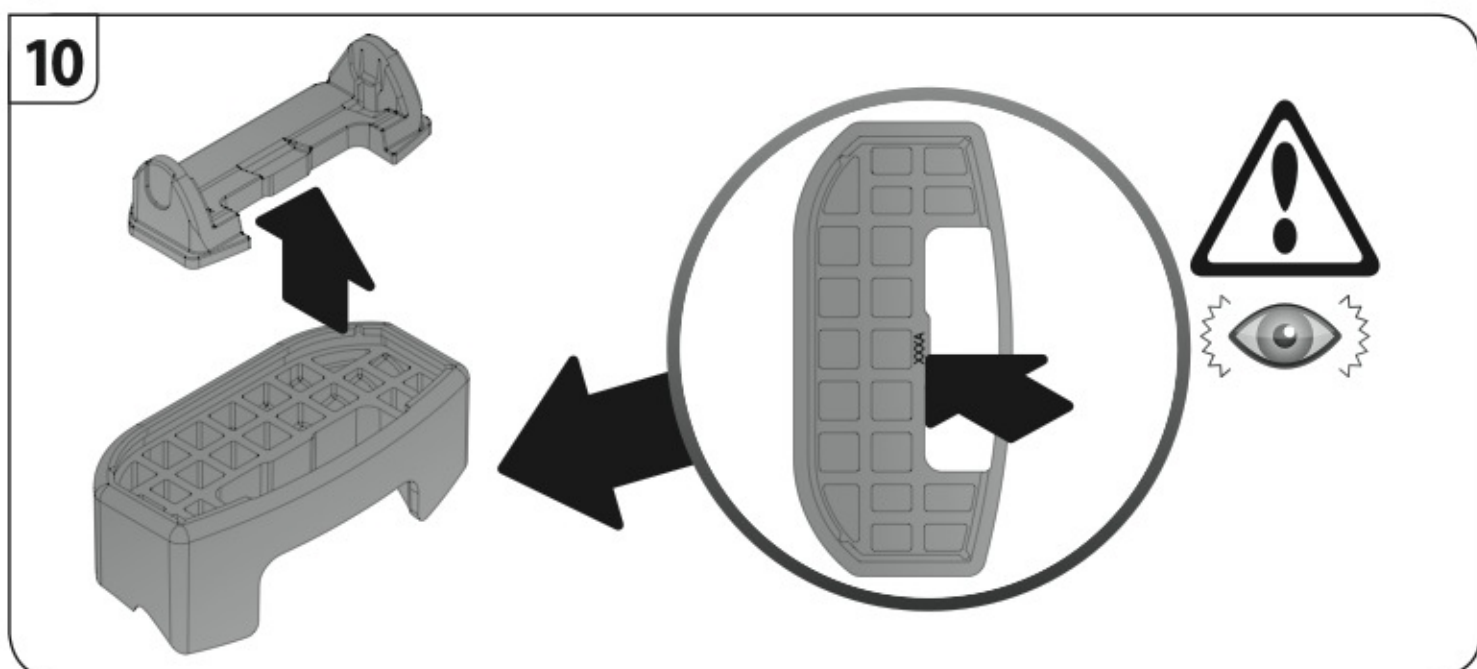
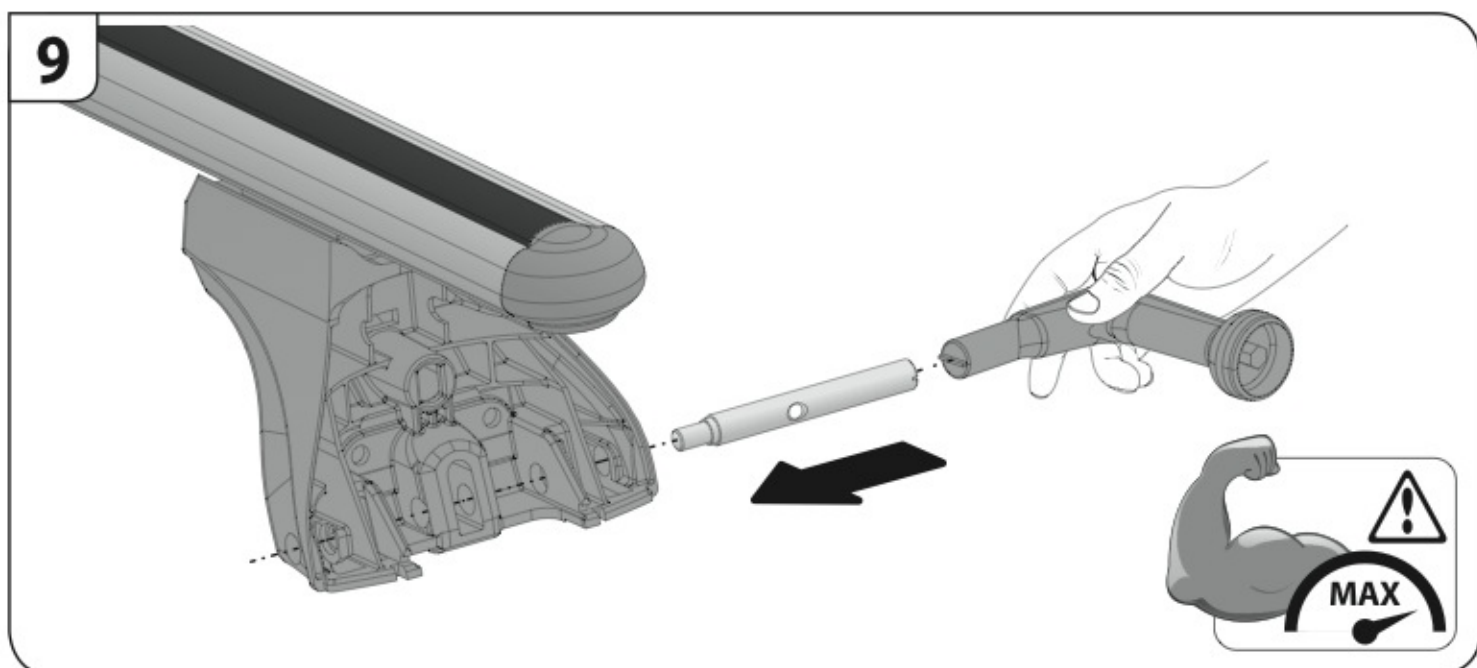
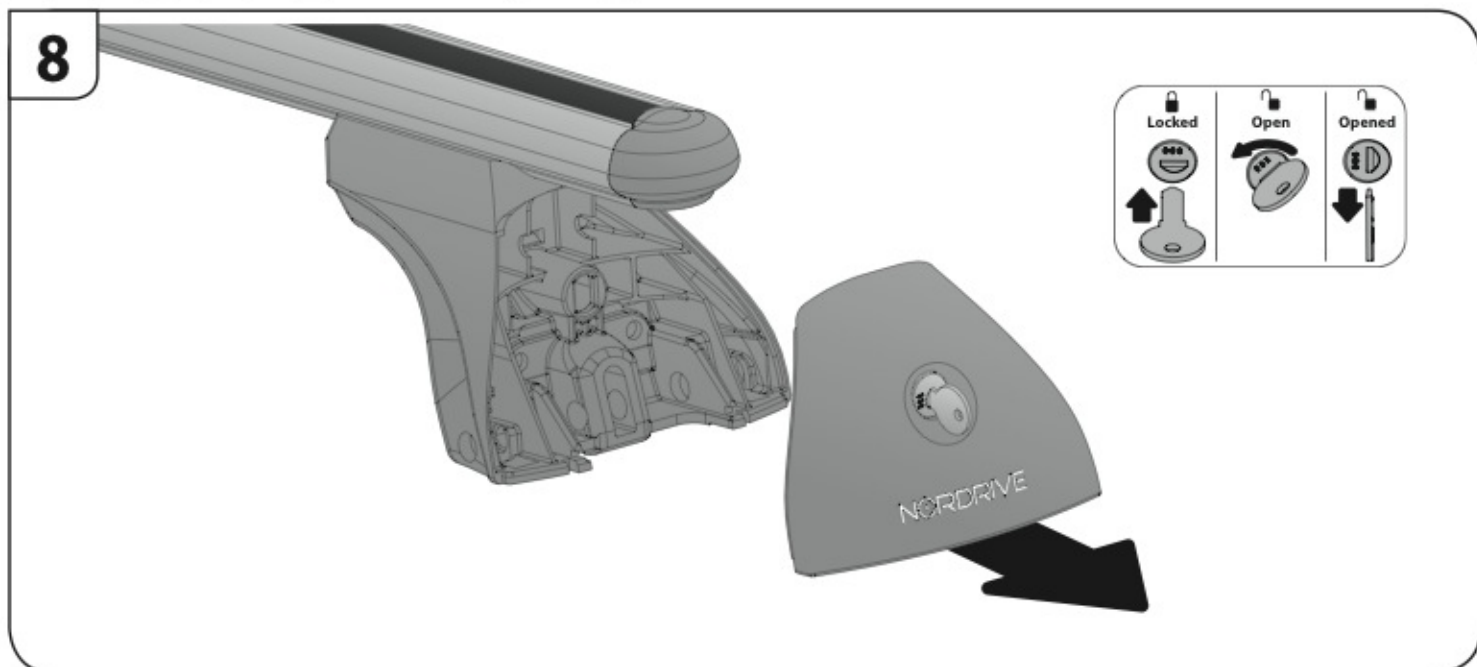


6

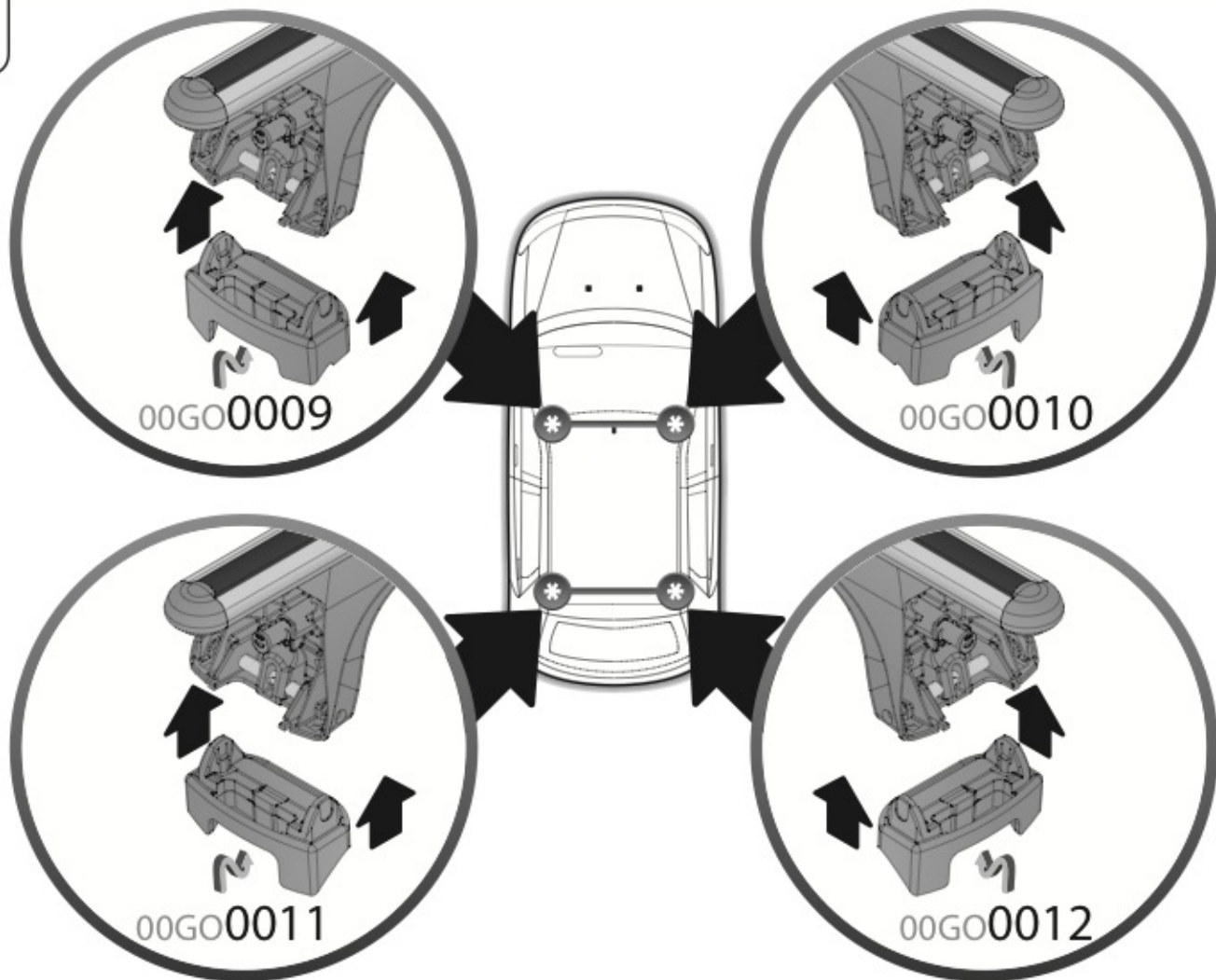


7

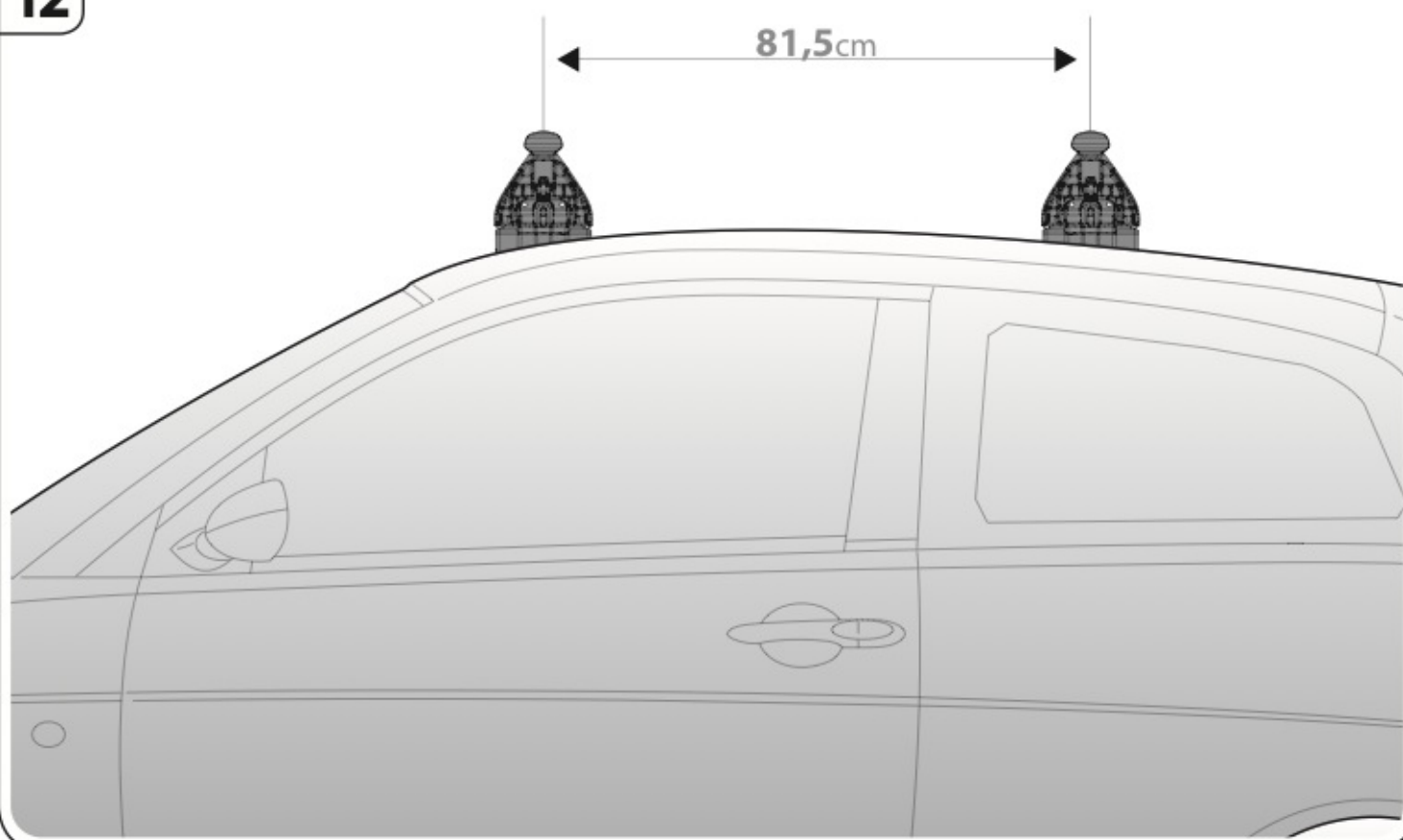




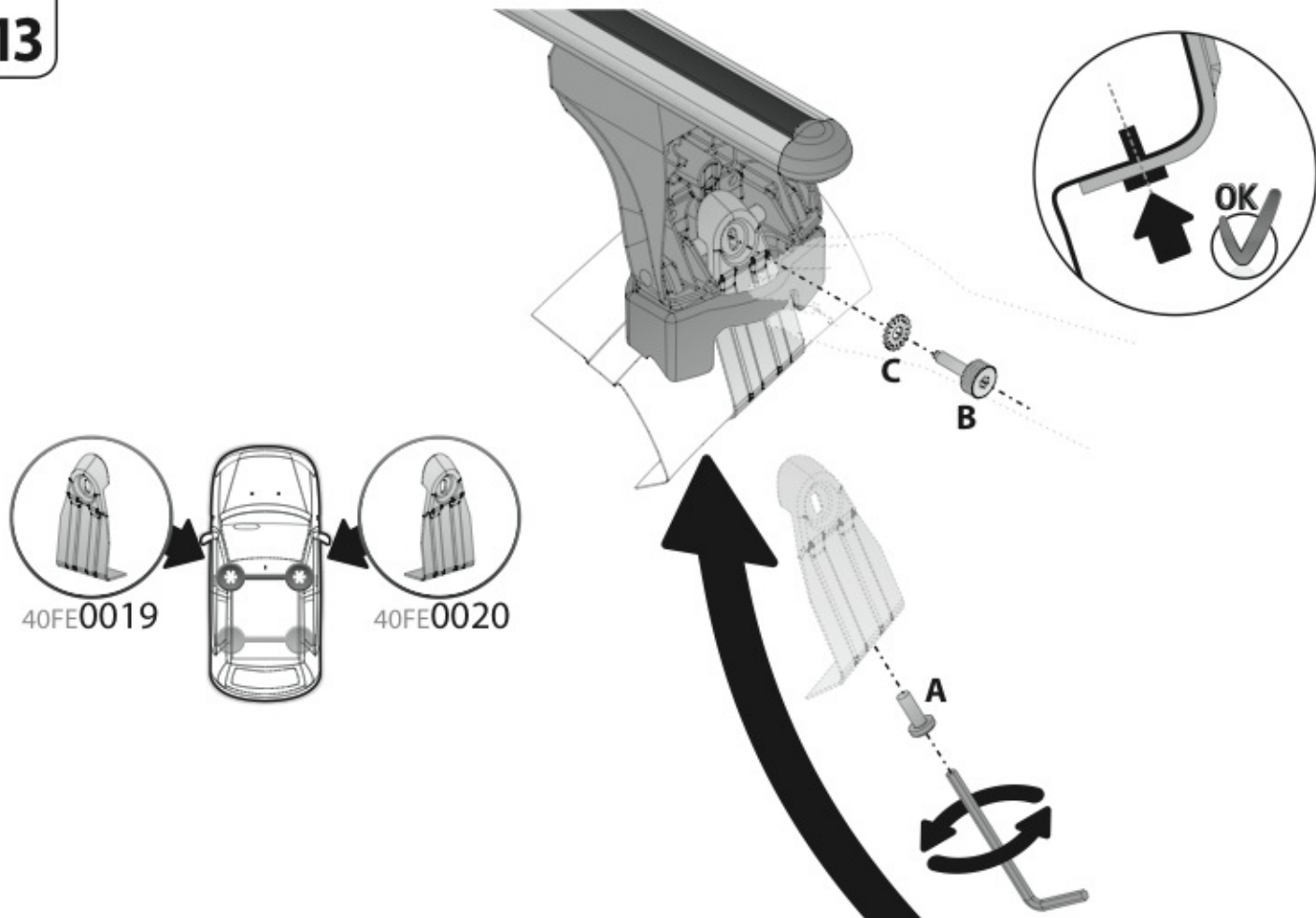
11



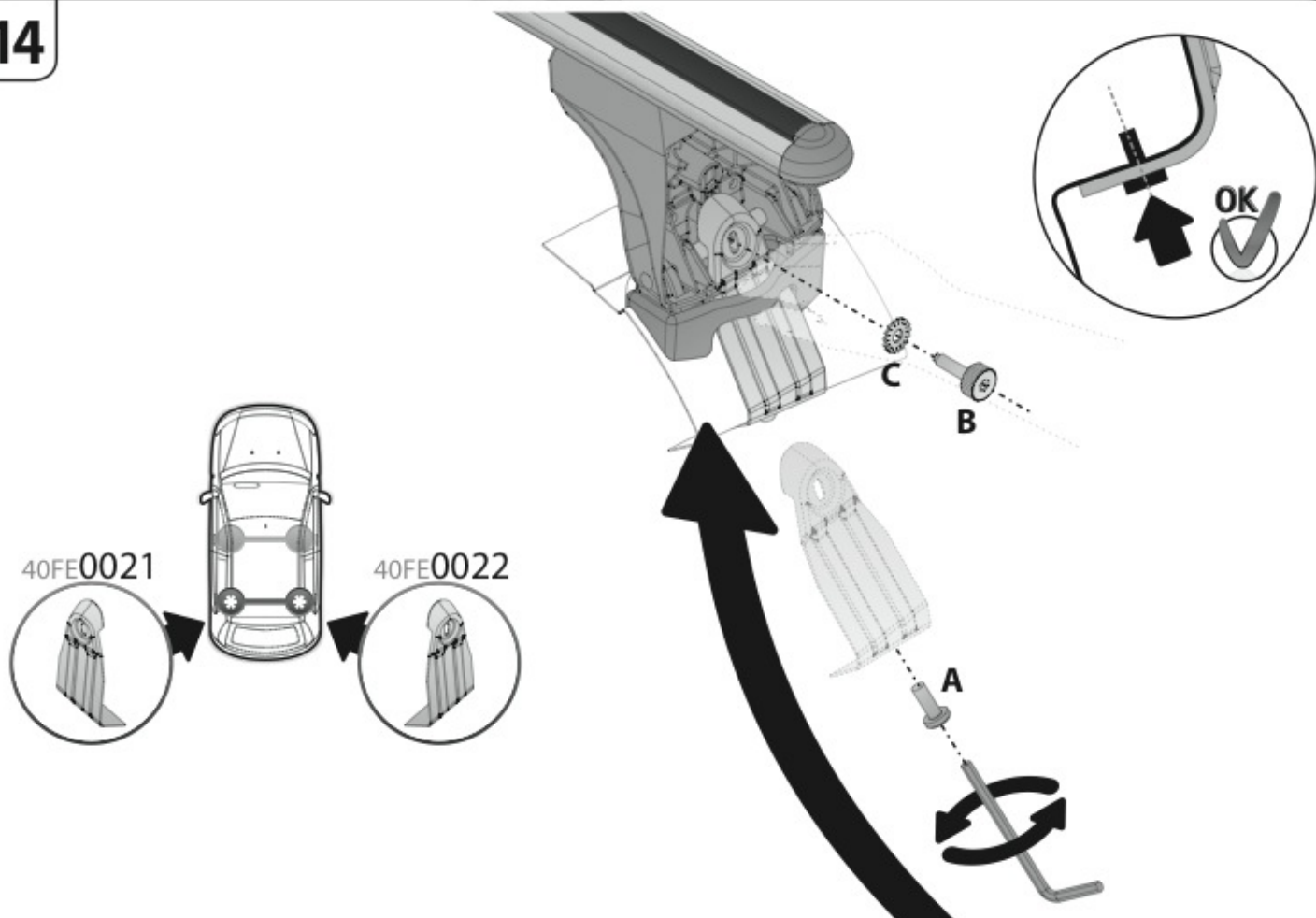
12



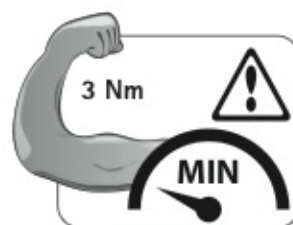
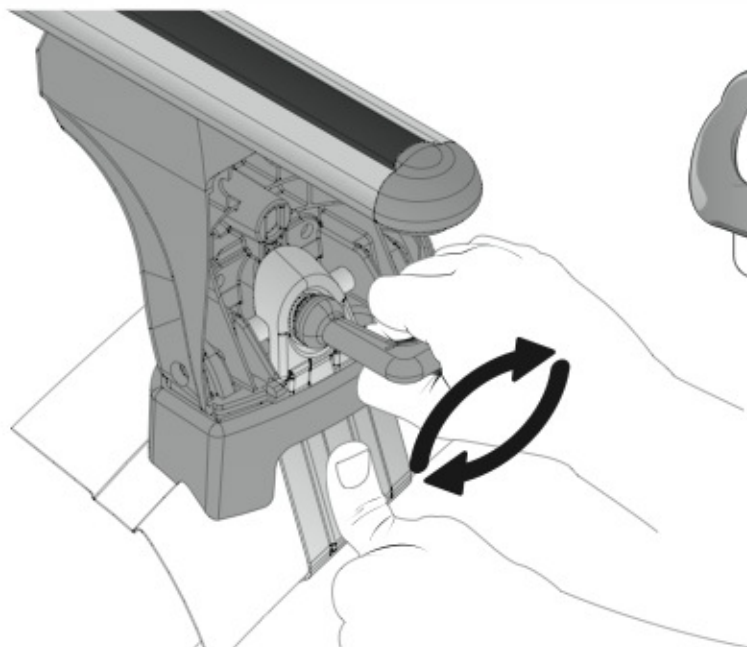
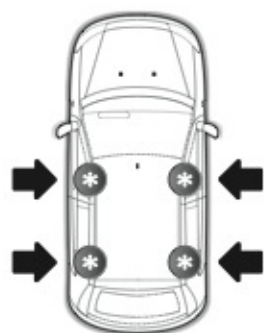
13



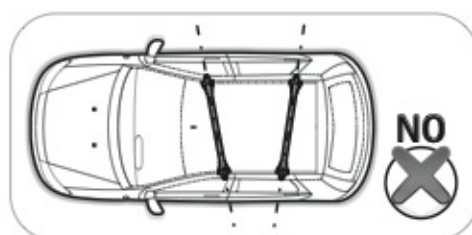
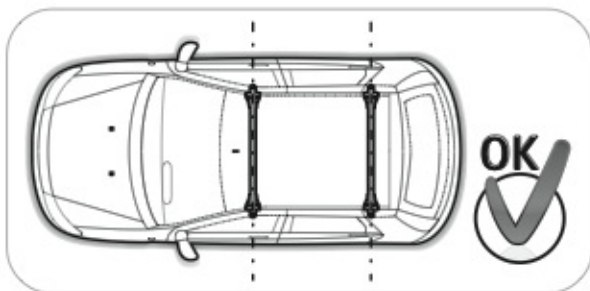
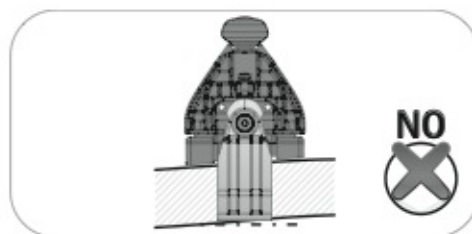
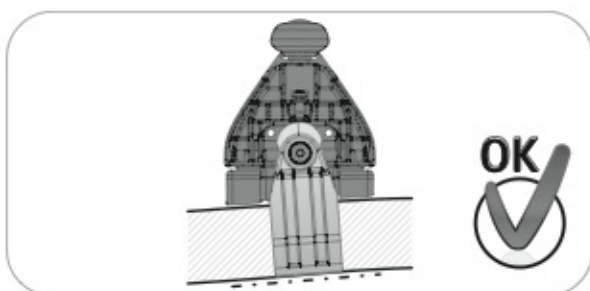
14



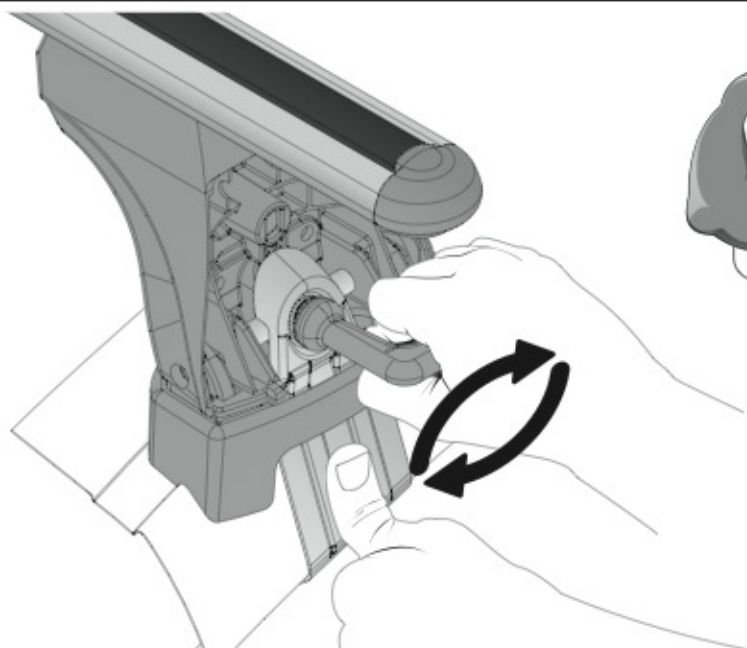
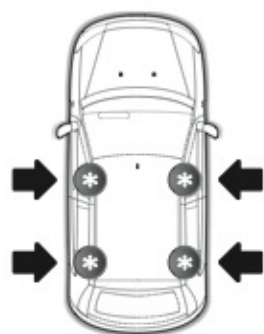
15



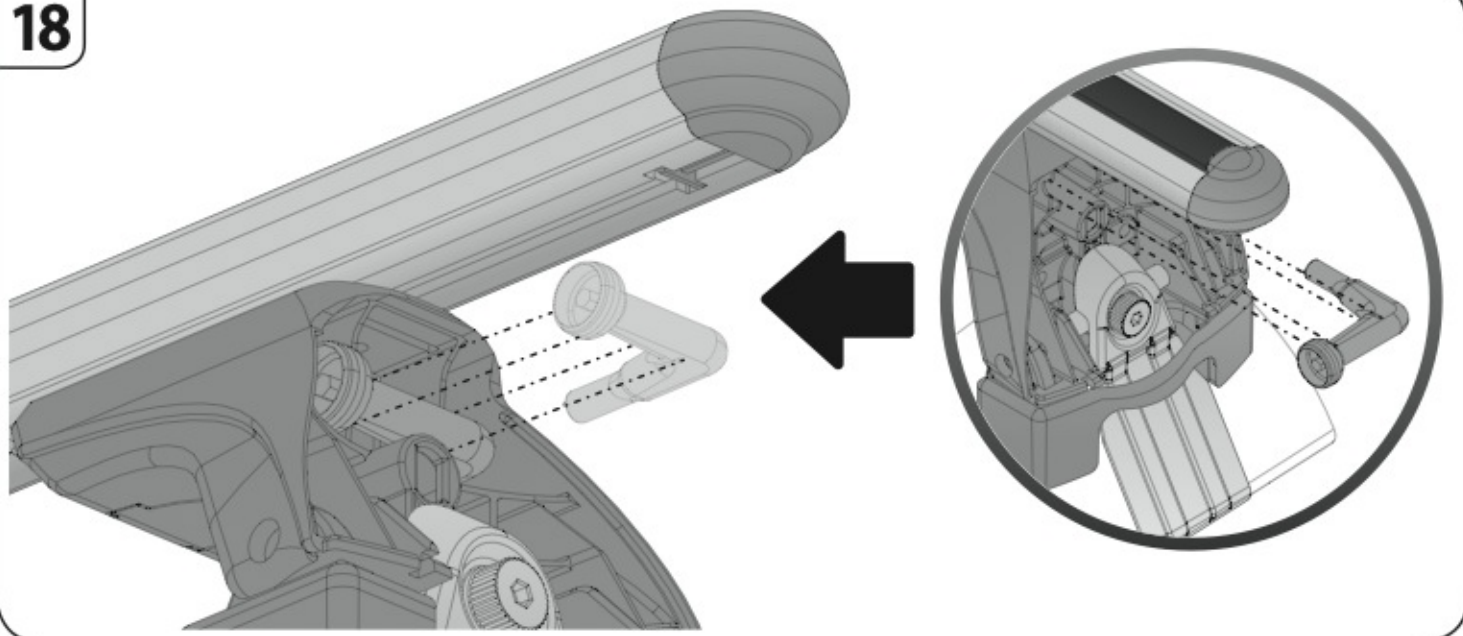
16



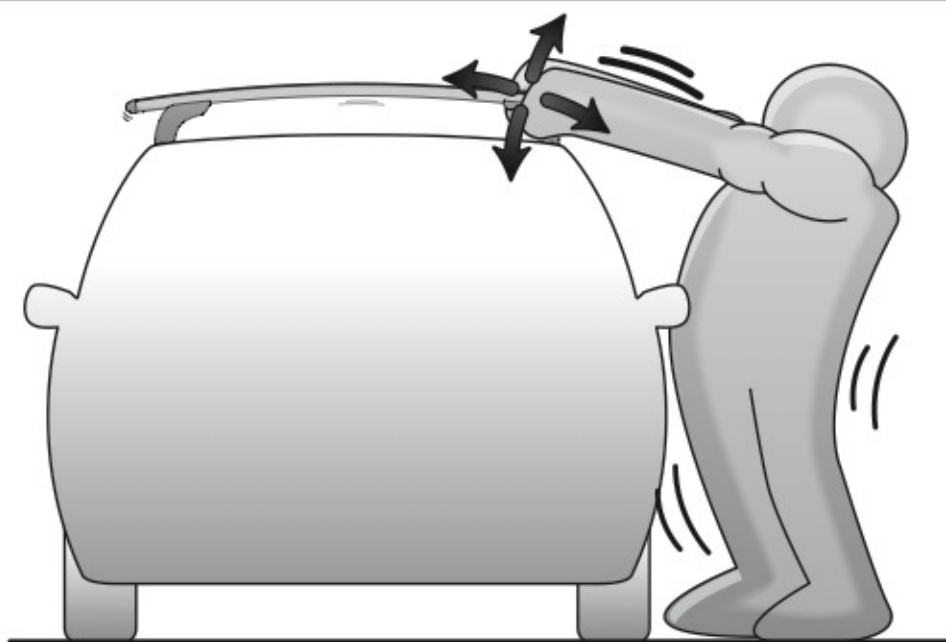
17



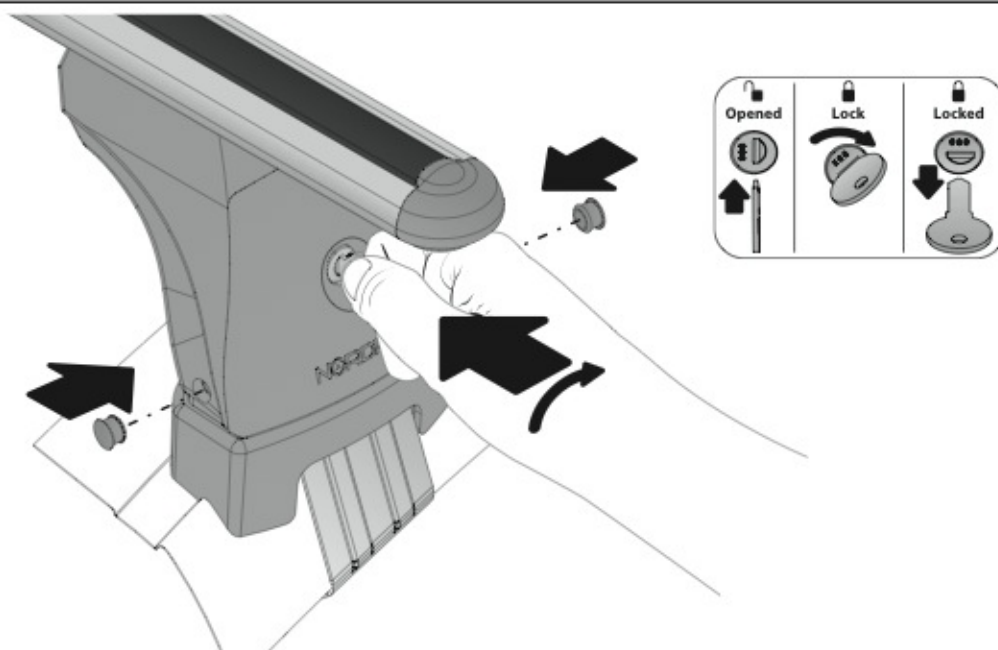
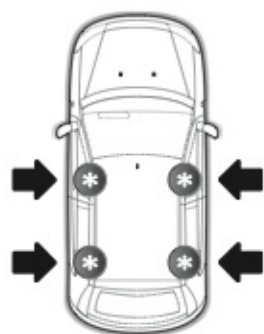
18



19



20



EVOS

EVOLUZIONE ZERO SYSTEM

NORDRIVE[®]
TRANSPORT SOLUTIONS

is a registered trade mark of

LAMPA S.p.A.

46019 Viadana (MN) ITALY

Ditta certificata UNI EN ISO 9001:2008

www.nordrive.it

www.lampa.it