


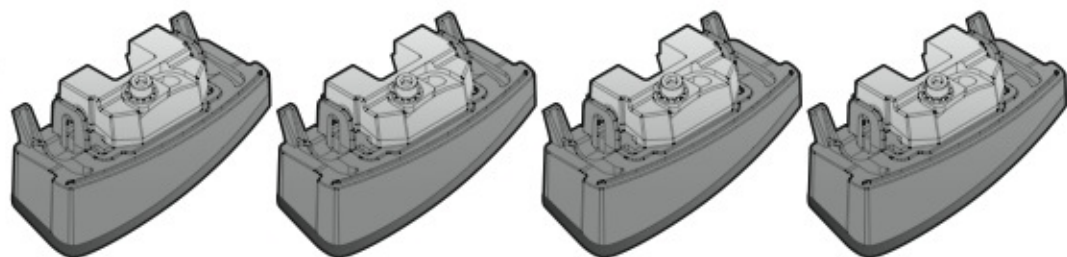
FIAT PANDA
(no railing)

 9/04→12/11

**FIAT PANDA
CLASSIC**
(no railing)

 1/12→

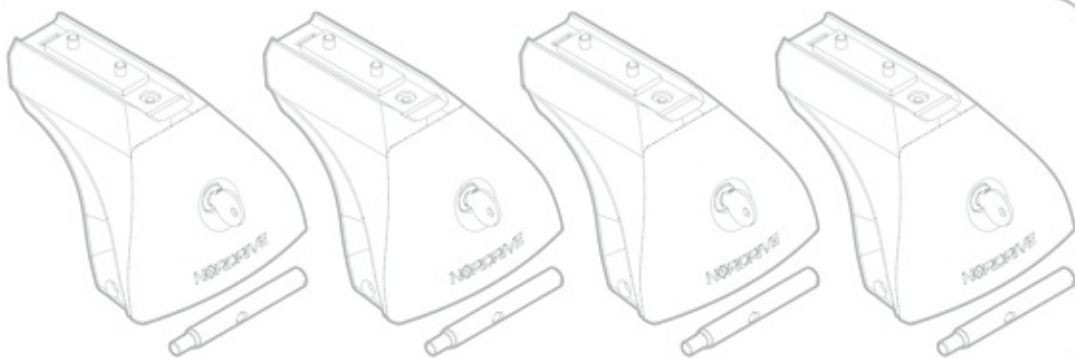
Art.
N21109



C

+

Art. **N20001**



B

+

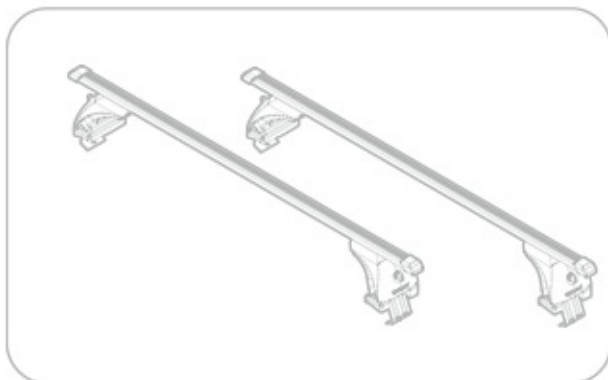
Art. **N15020**



A

ACCIAIO
Steel

=



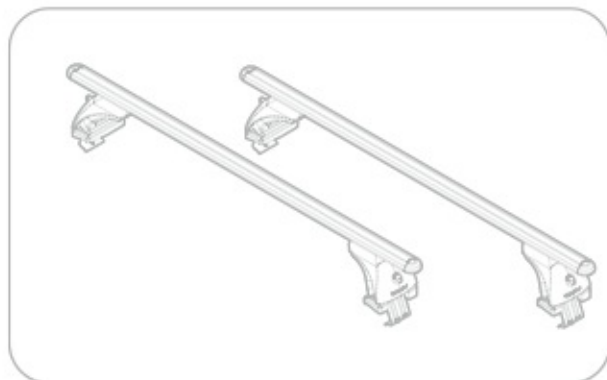
Art. **N15025**

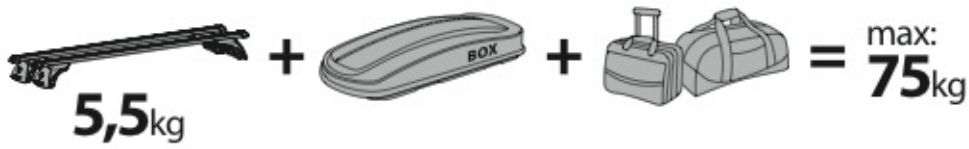


A

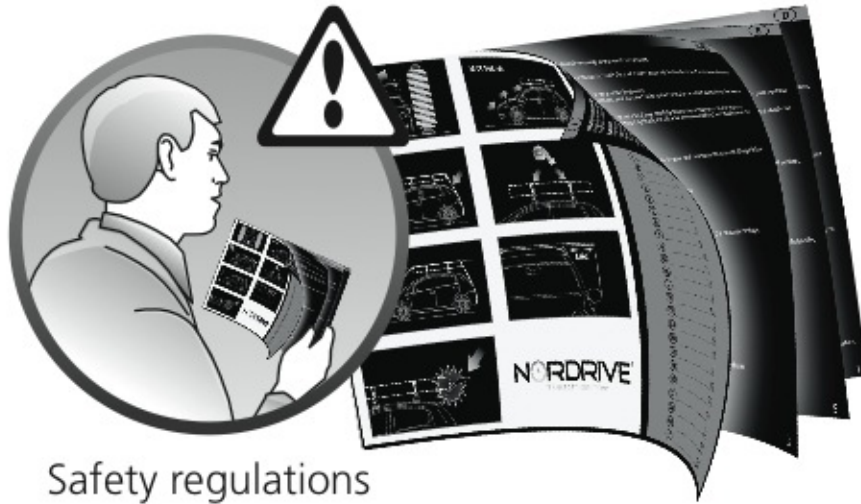
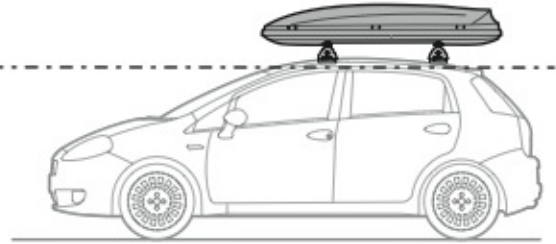
ALLUMINIO
Aluminium

=

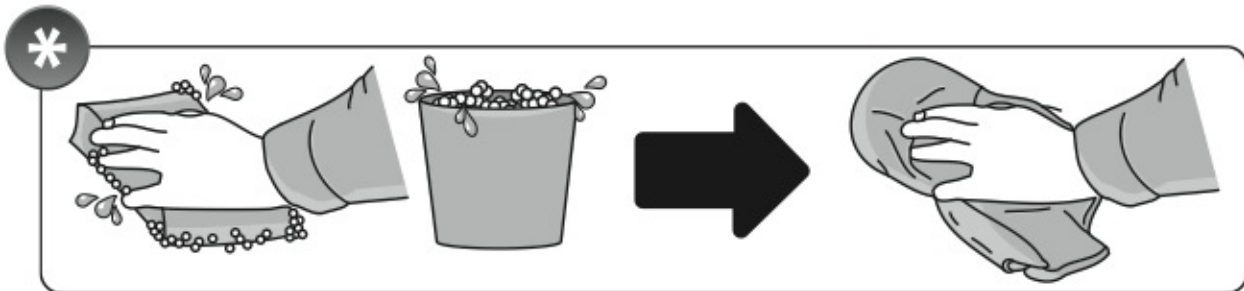
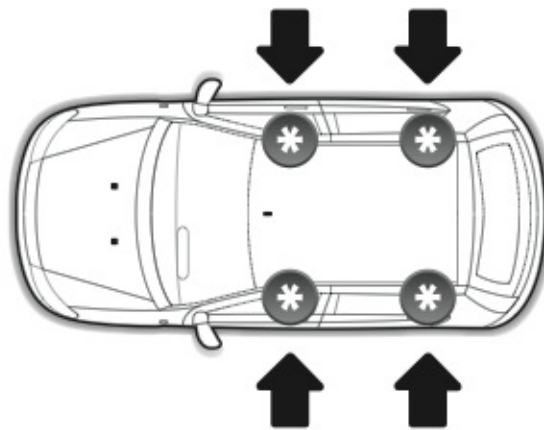




max: ???kg



Safety regulations





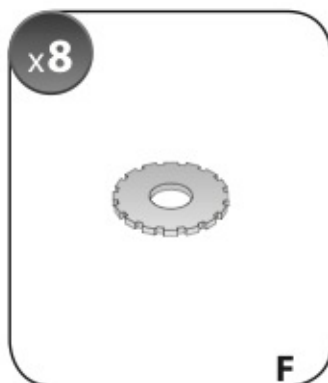
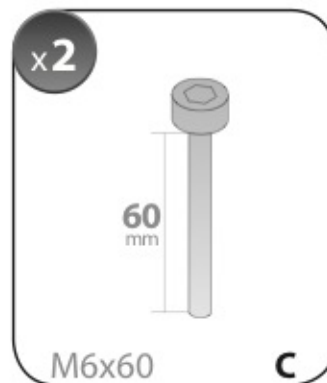
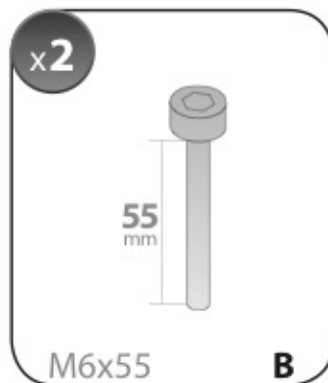
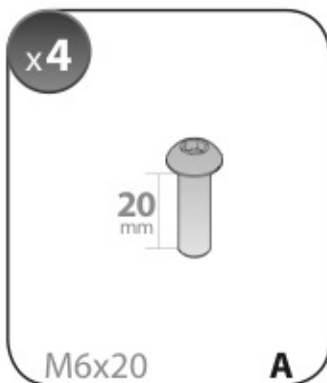
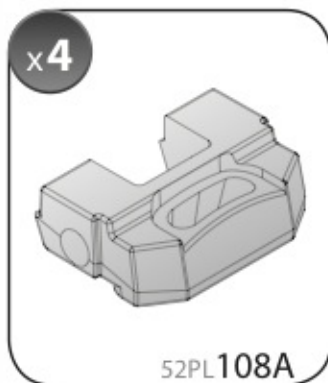
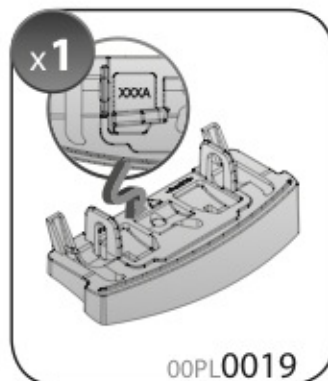
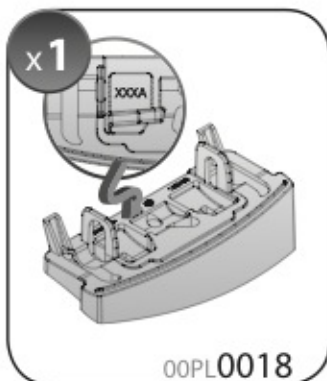
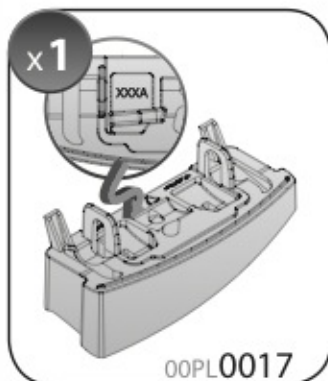
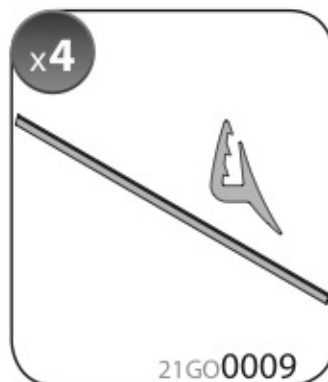
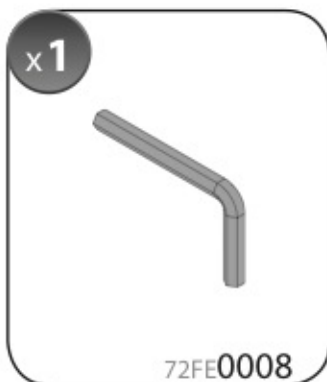
FIAT PANDA
(no railing)

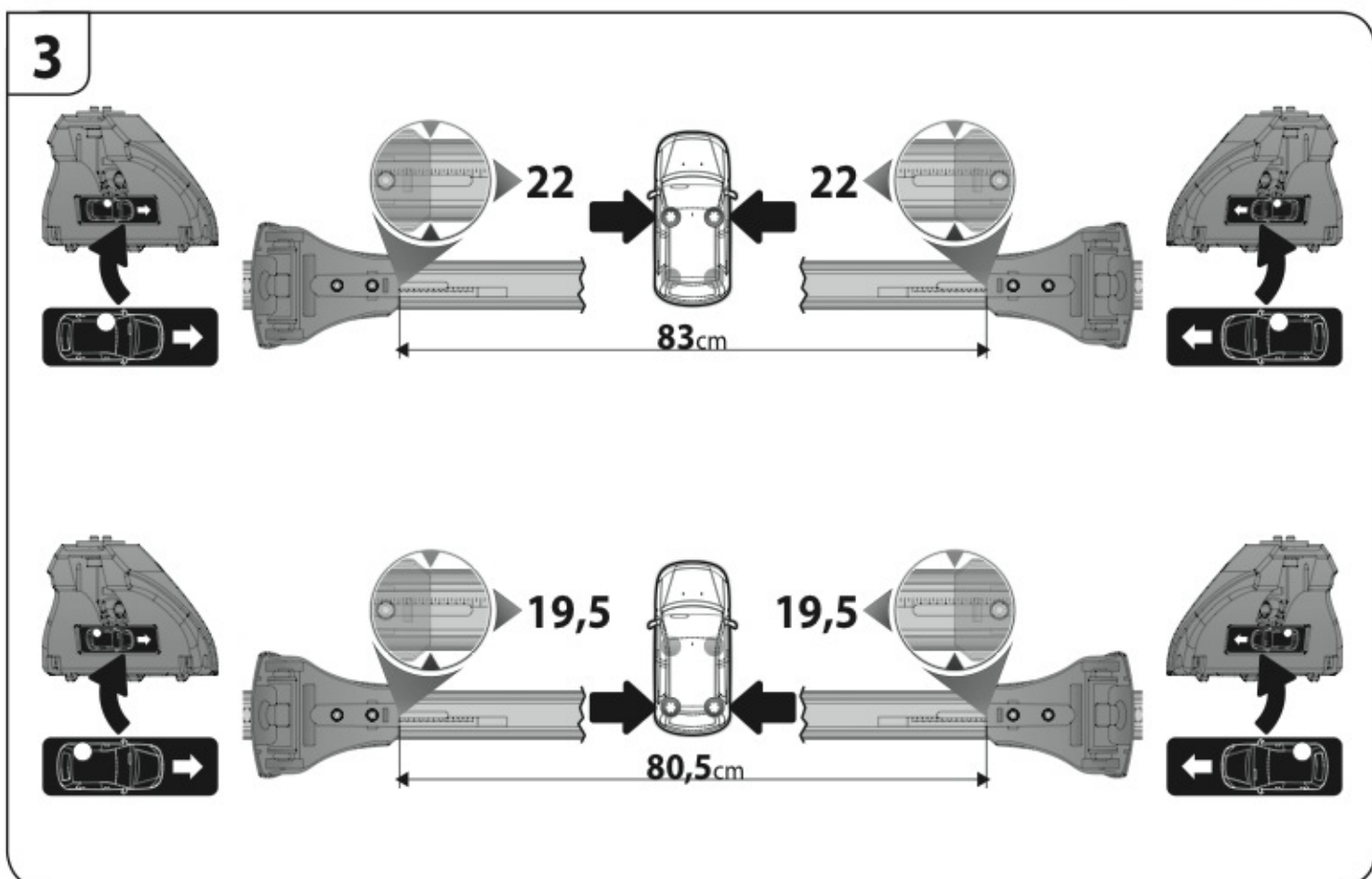
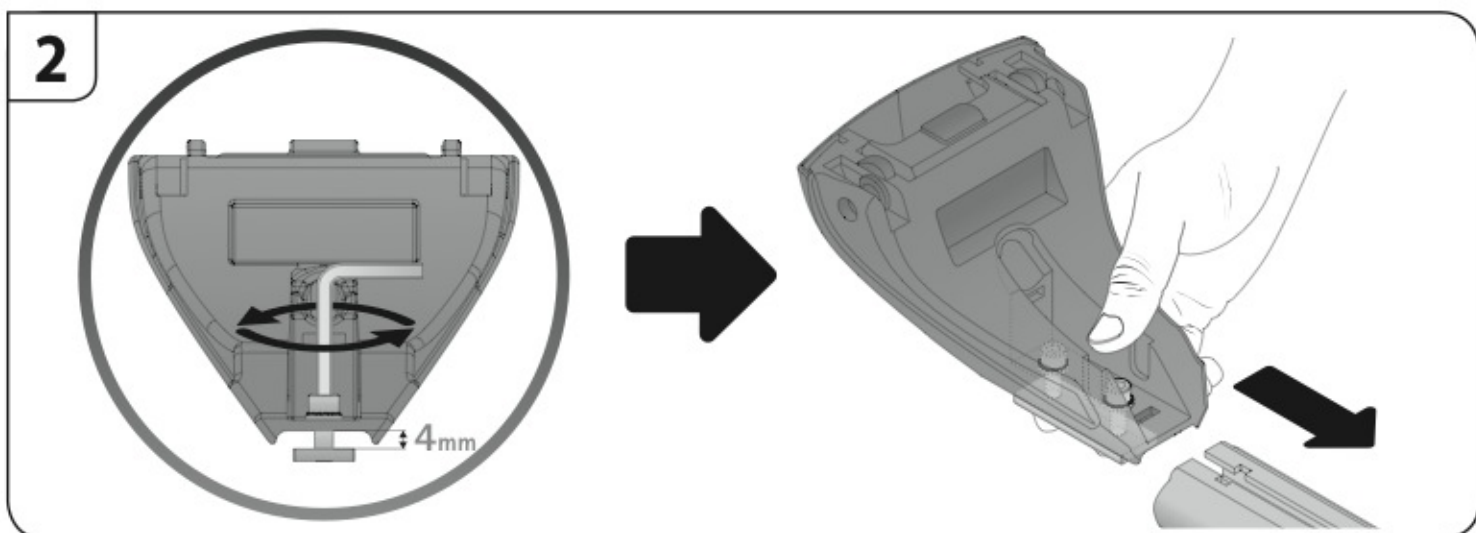
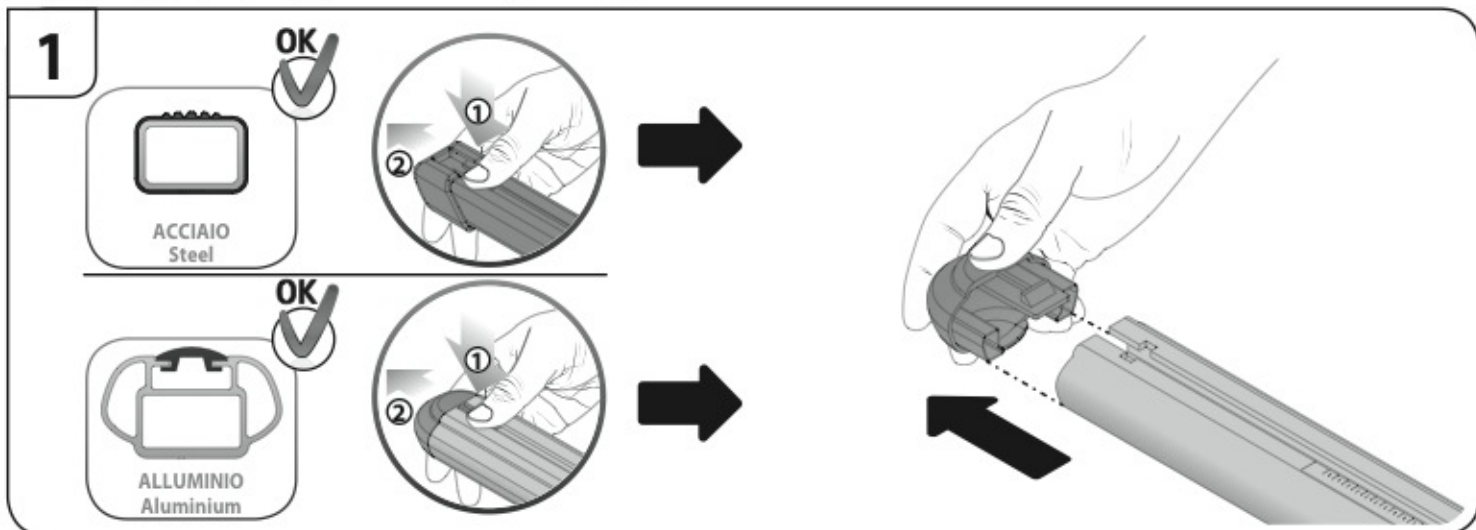
9/04→12/11

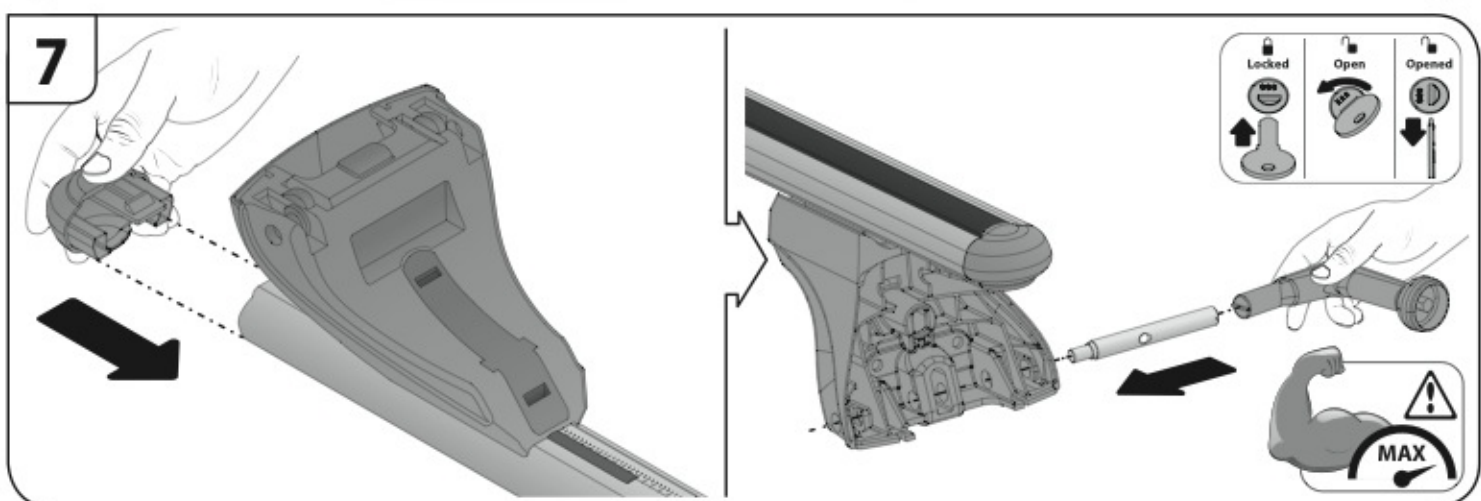
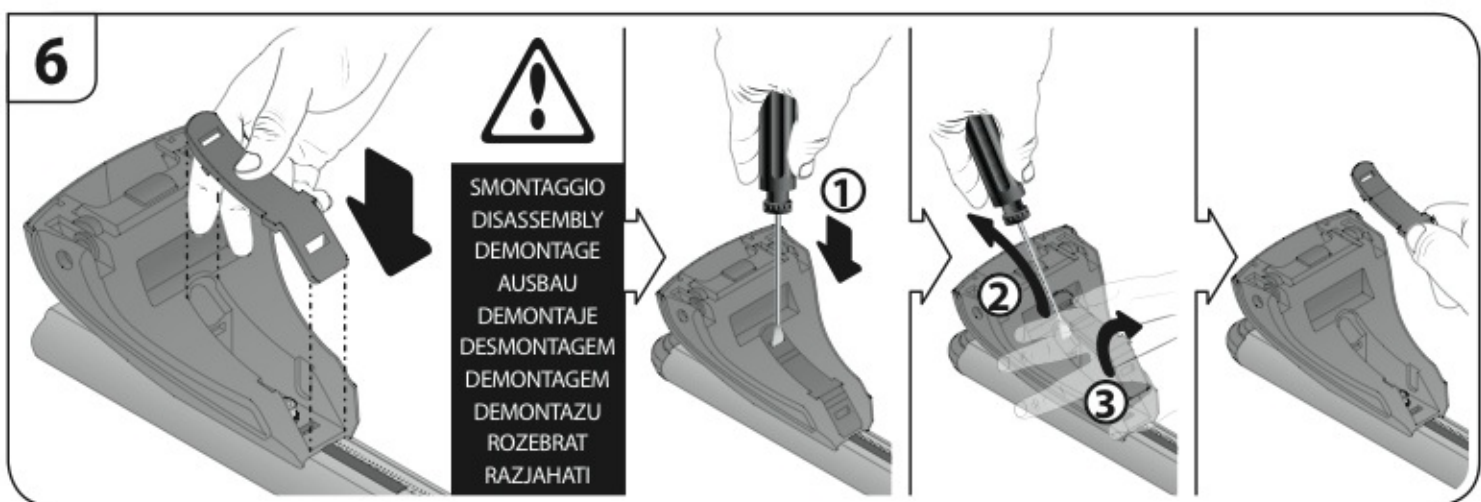
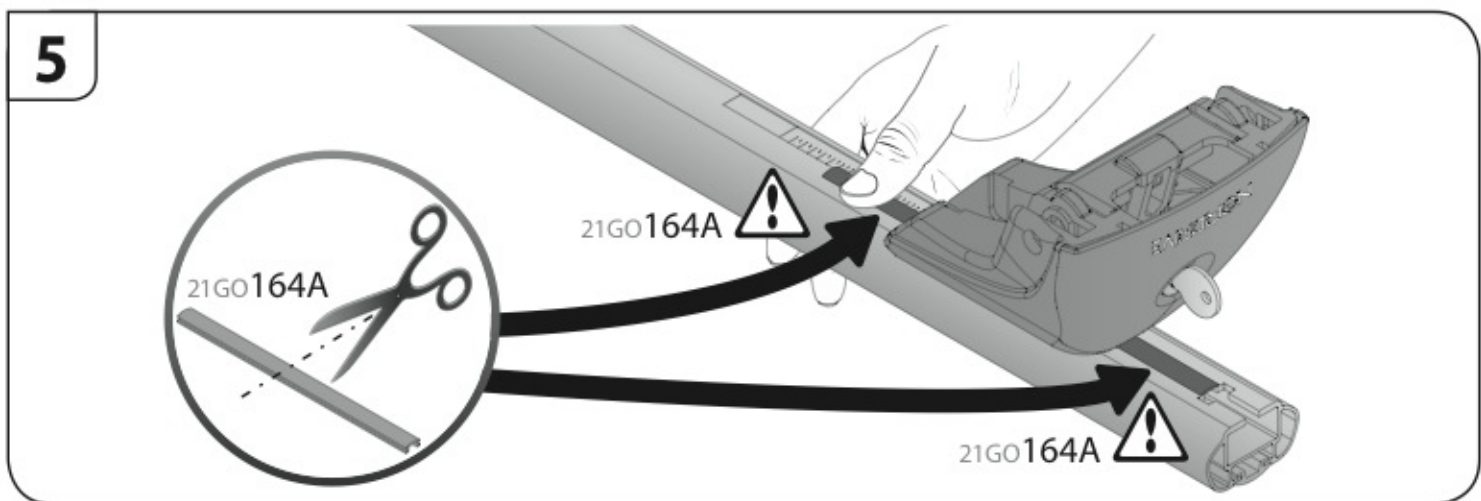
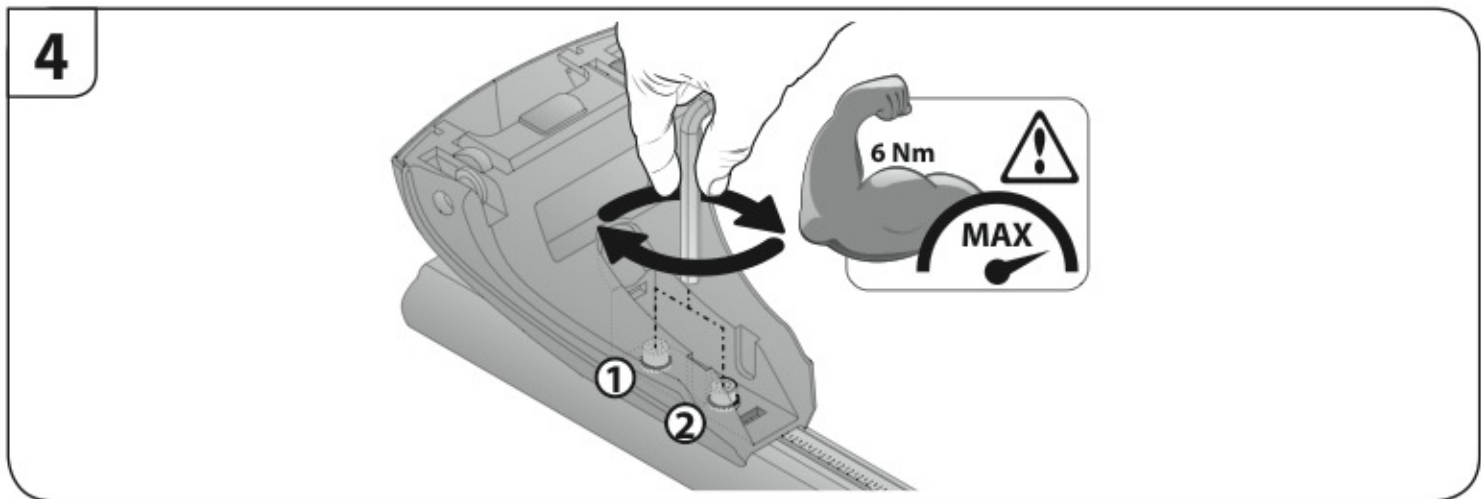
**FIAT PANDA
CLASSIC**
(no railing)

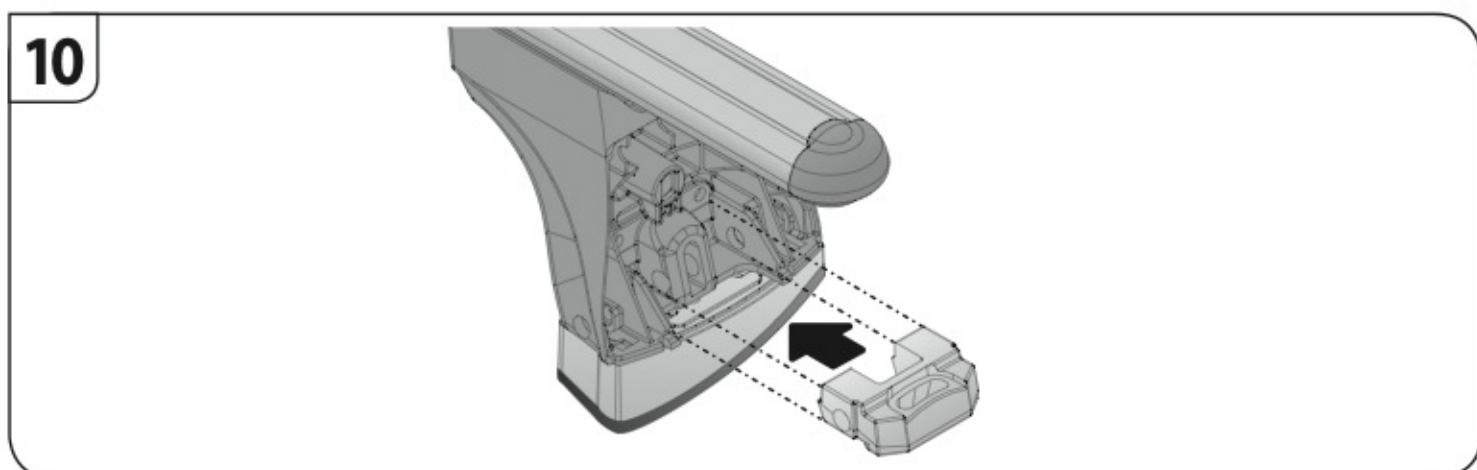
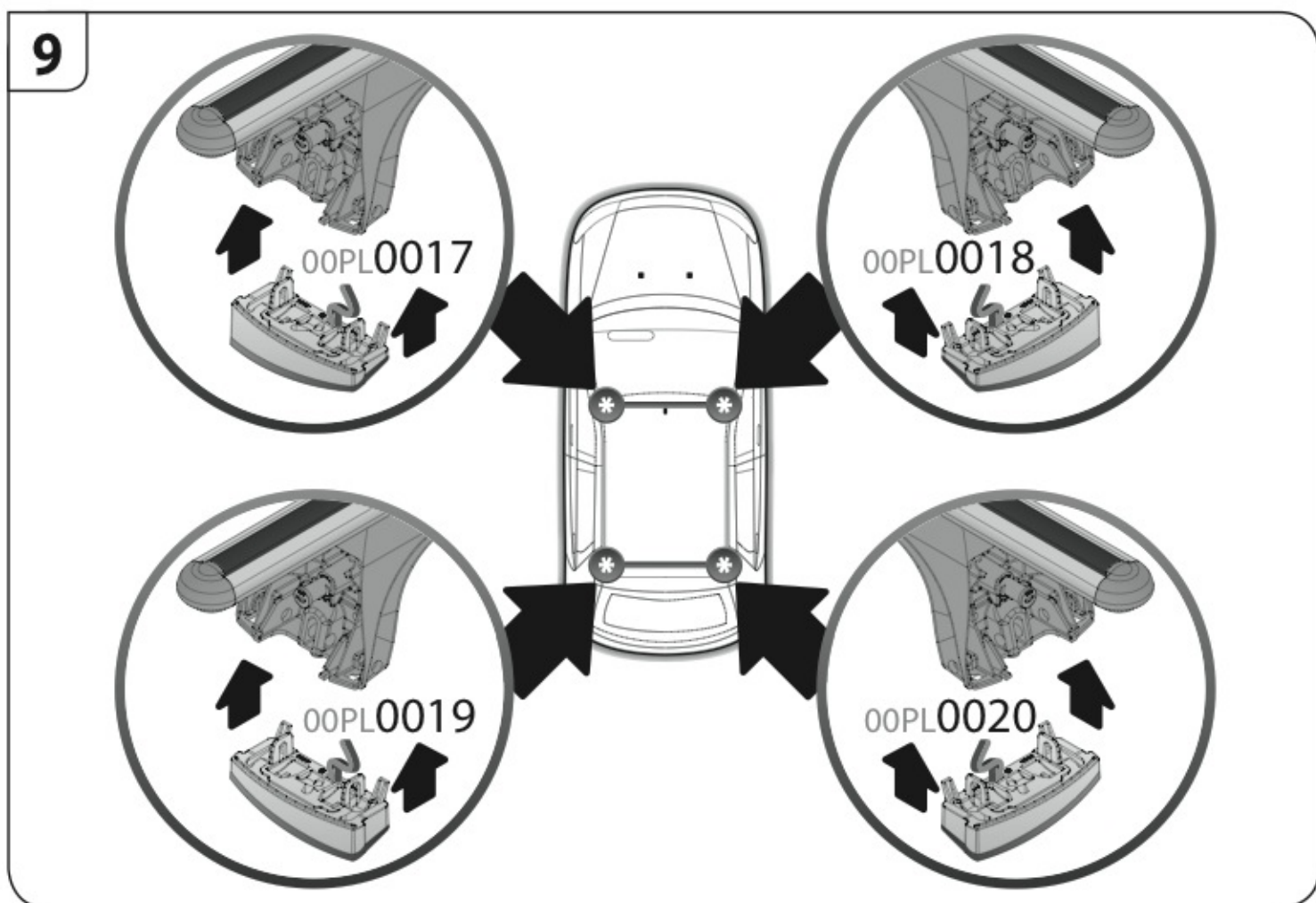
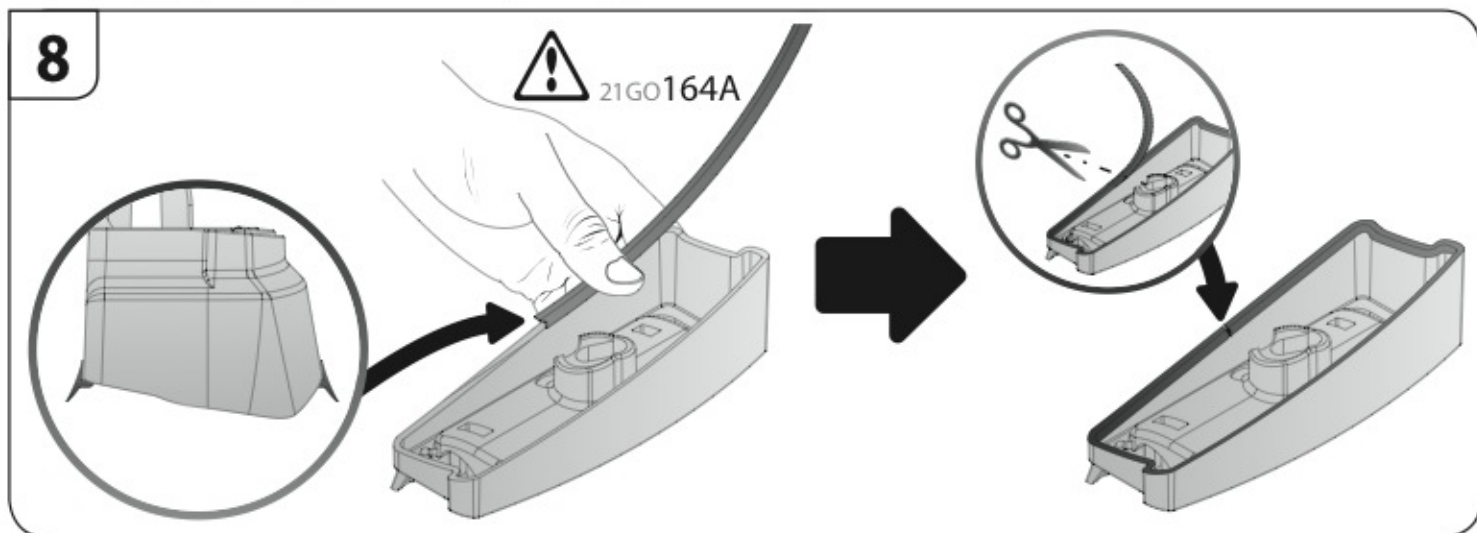
1/12→

Art. **N21109**

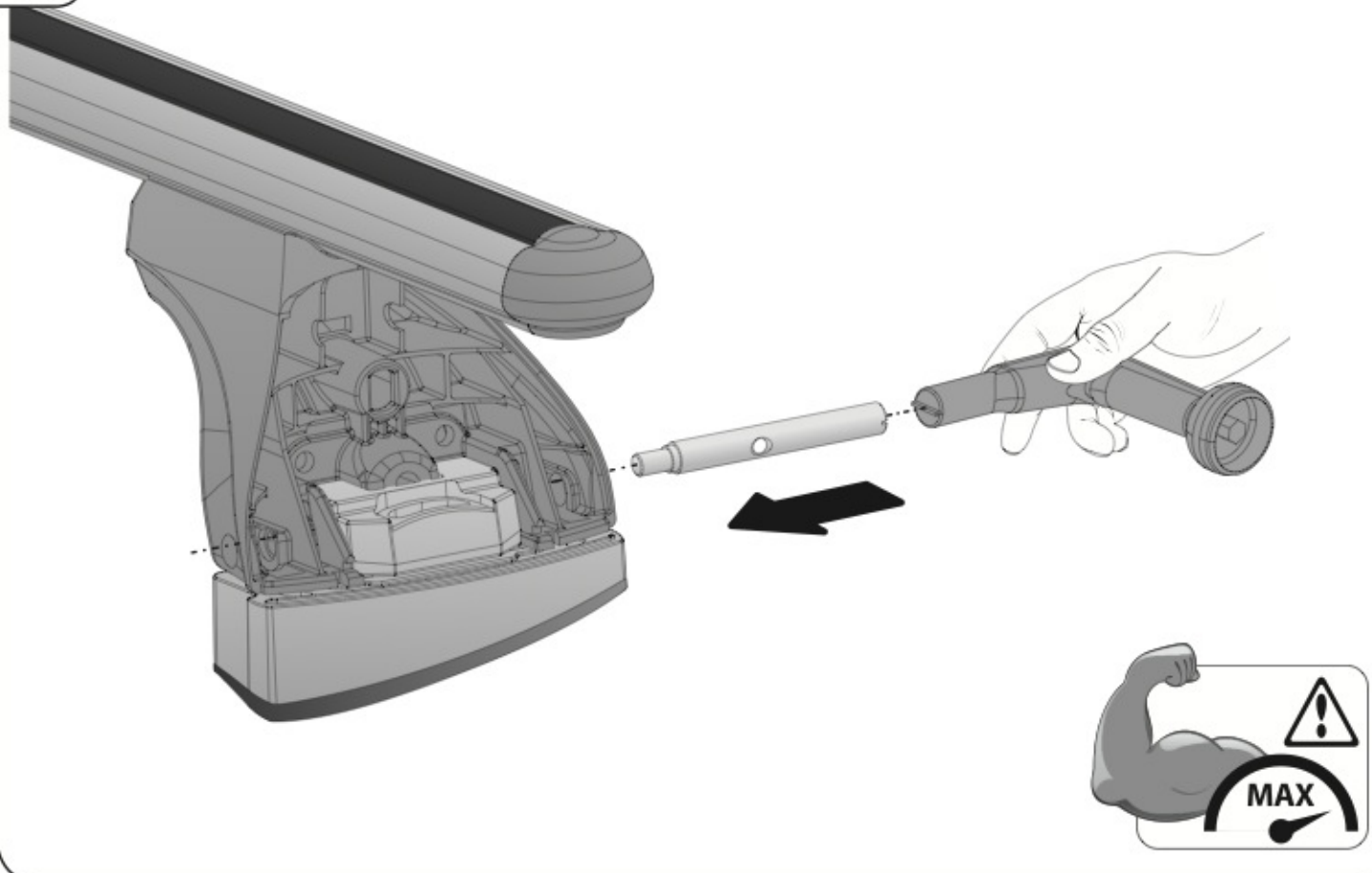




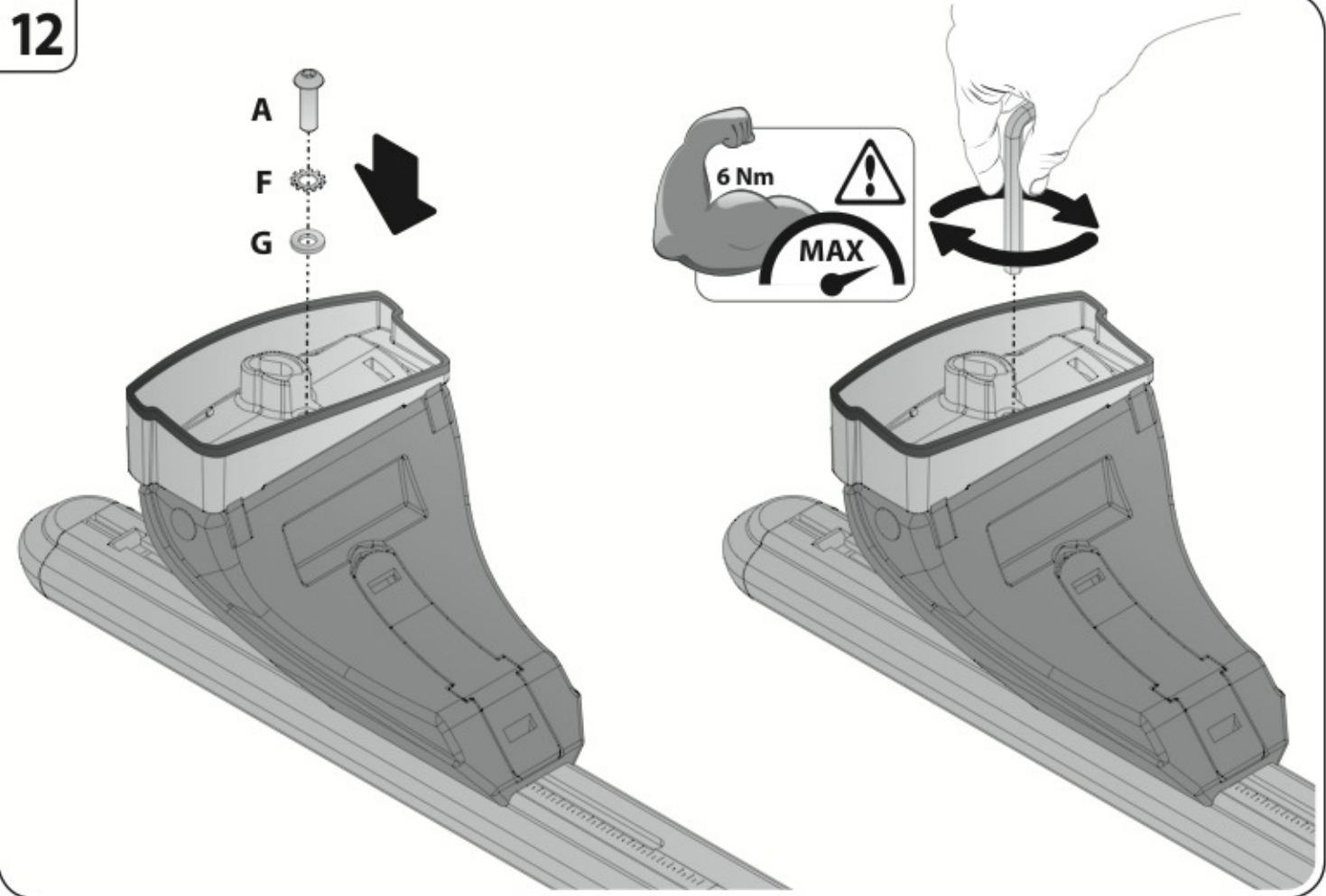




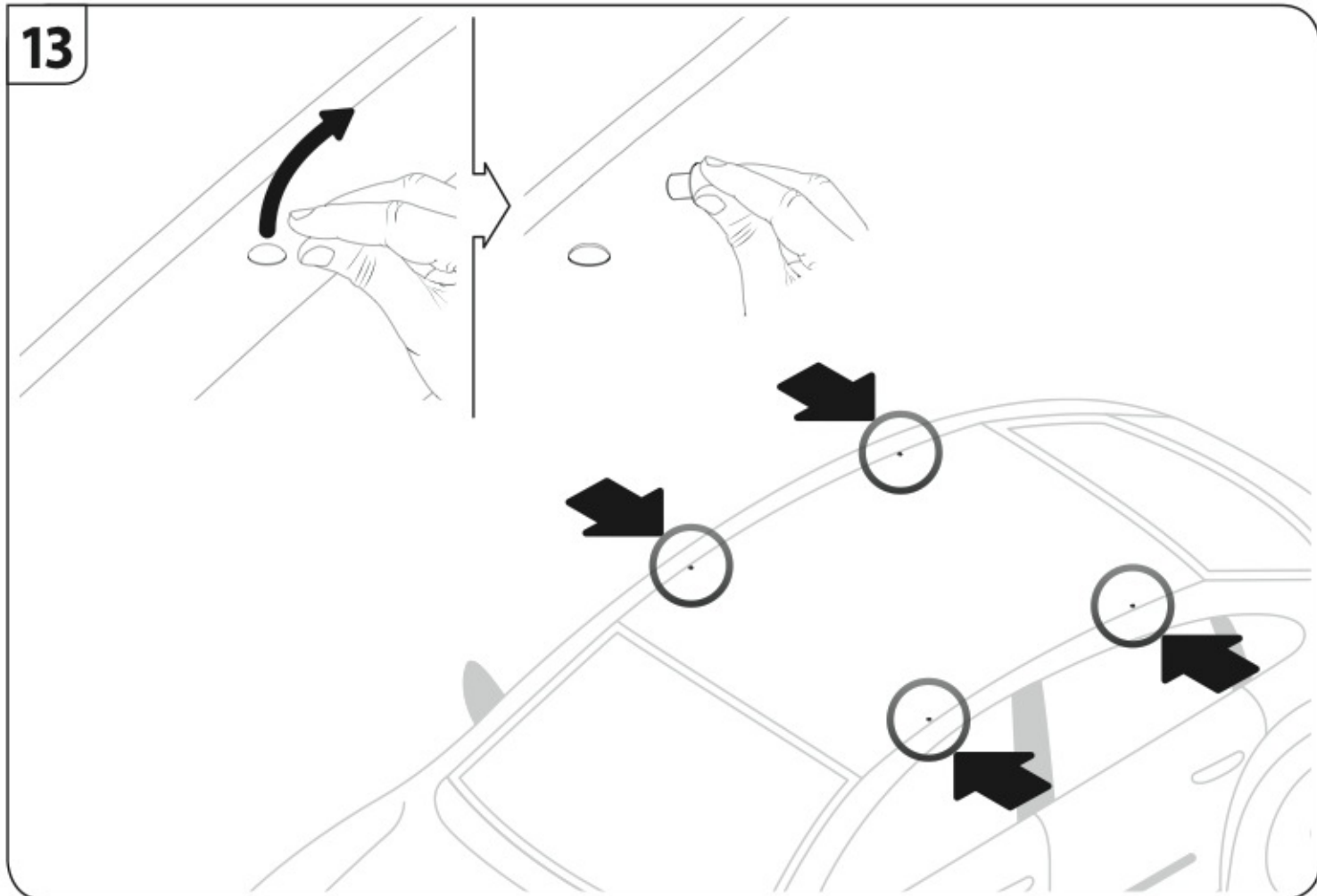
11



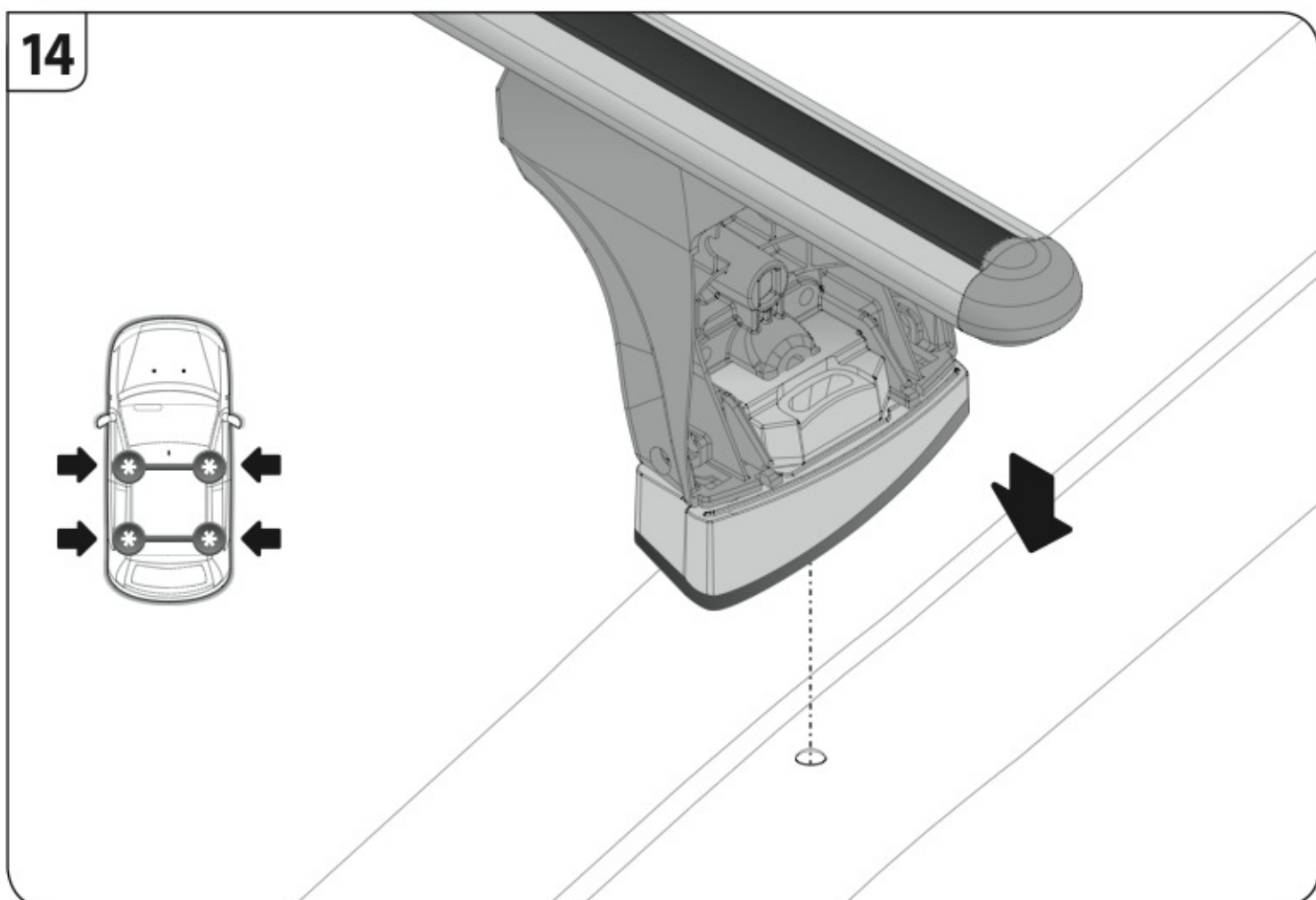
12



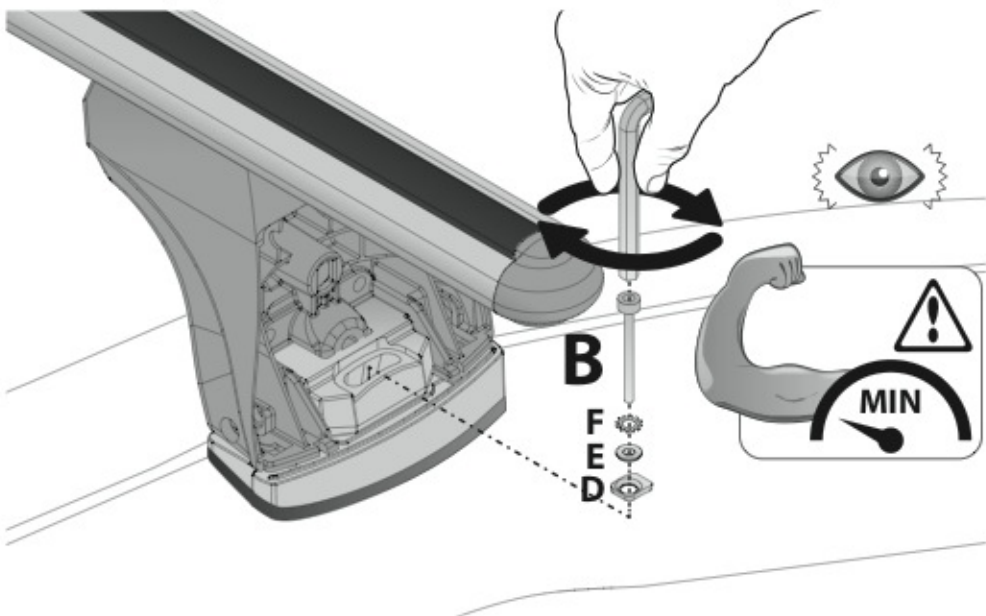
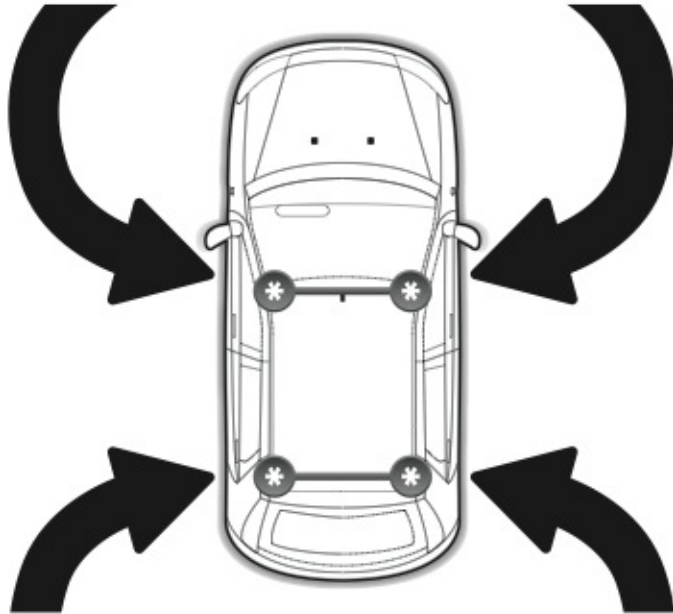
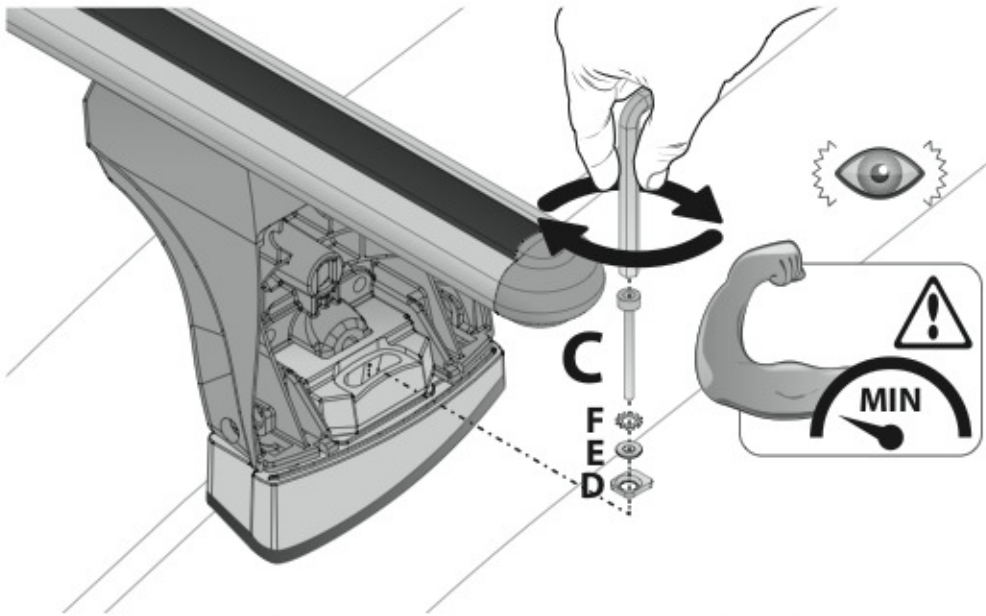
13



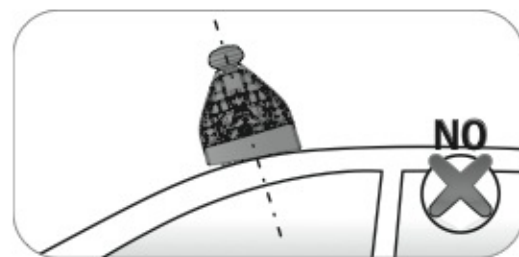
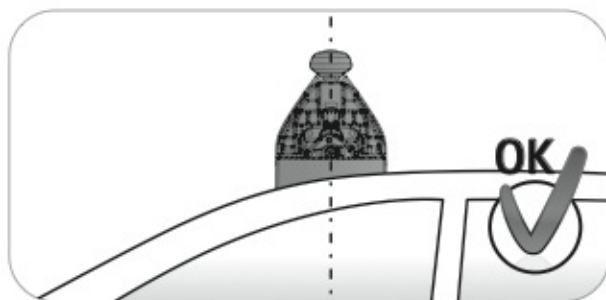
14



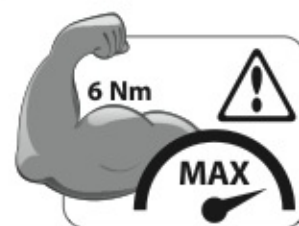
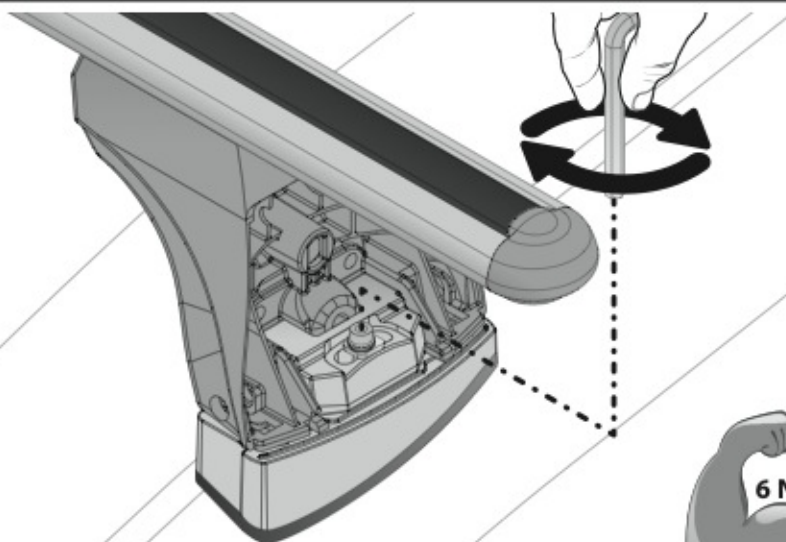
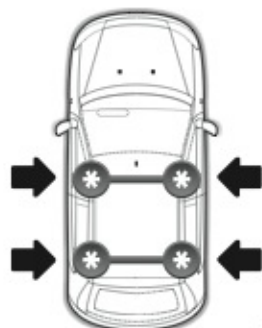
15



16



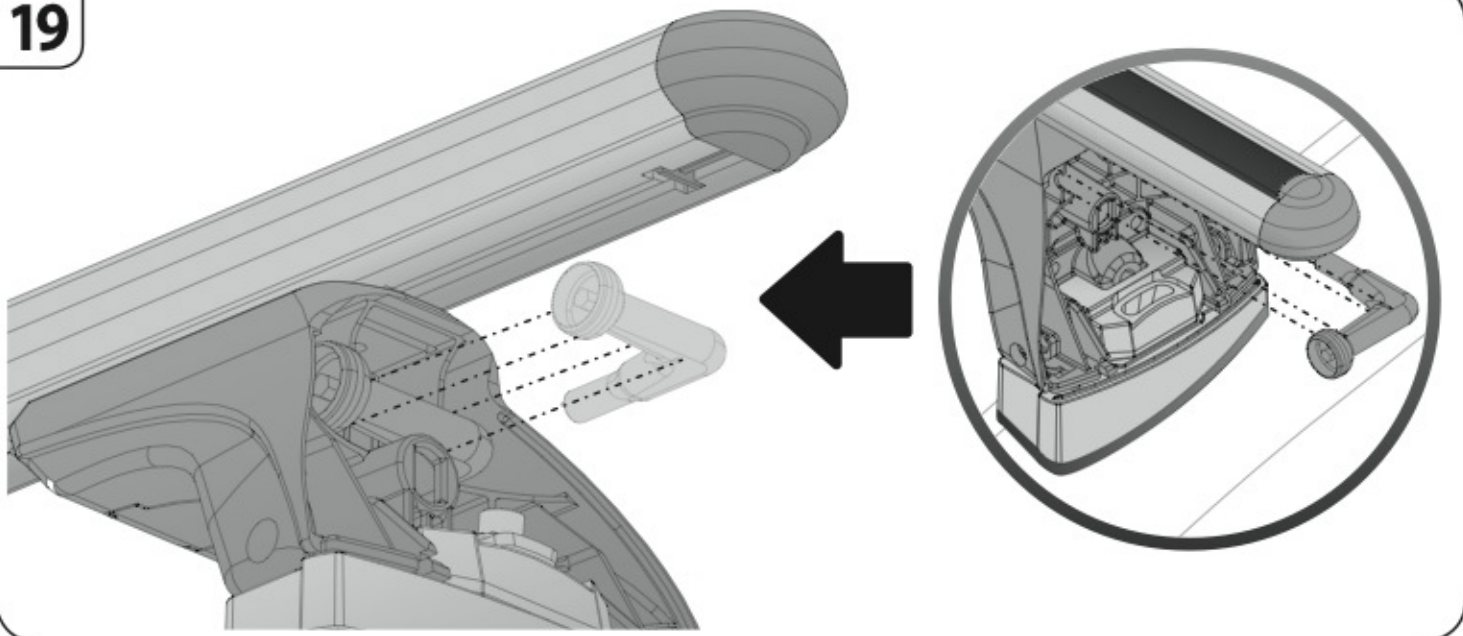
17



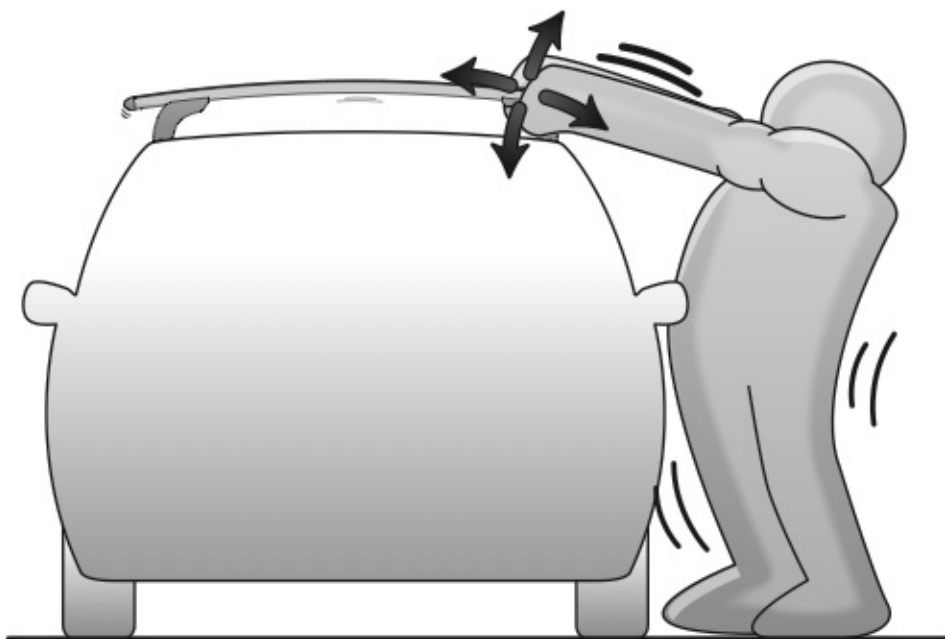
18



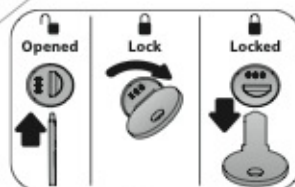
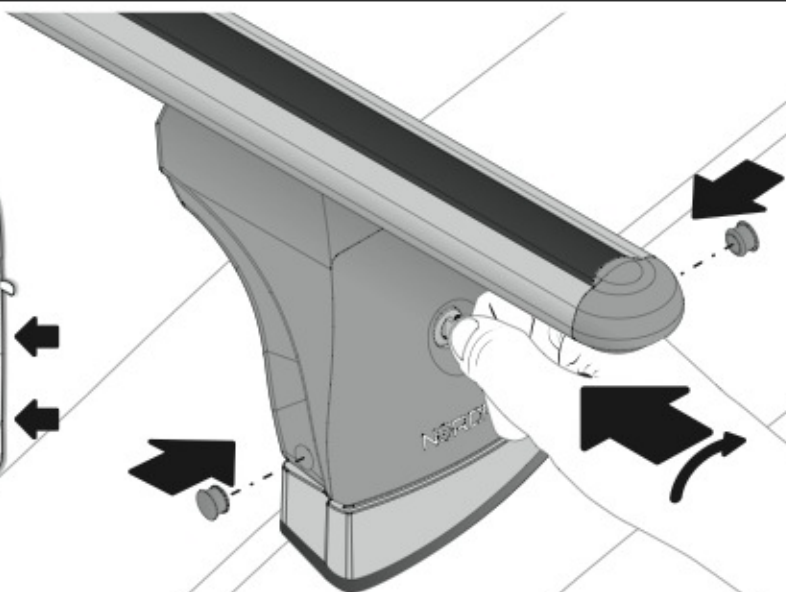
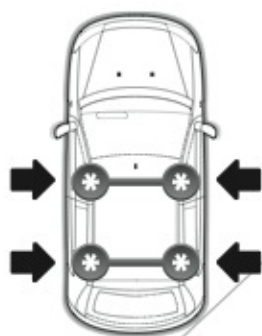
19



20



21



EVOS

EVOLUZIONE ZERO SYSTEM

NORDRIVE®
TRANSPORT SOLUTIONS

is a registered trade mark of

LAMPA S.p.A.

46019 Viadana (MN) ITALY

Ditta certificata UNI EN ISO 9001:2008

www.nordrive.it

www.lampa.it