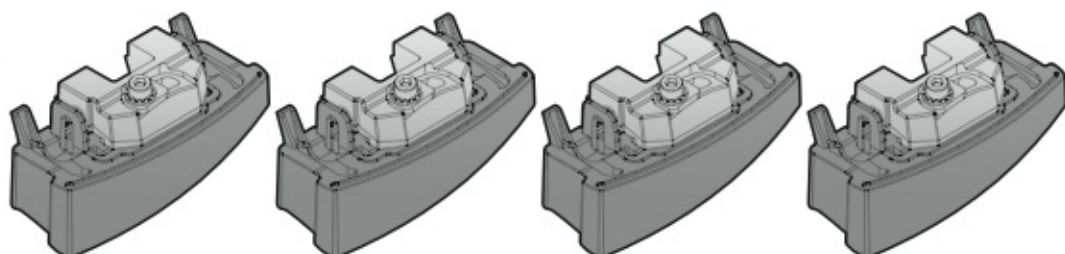


**BMW SERIE 3
 COUPÉ**



9/06 → 12/11

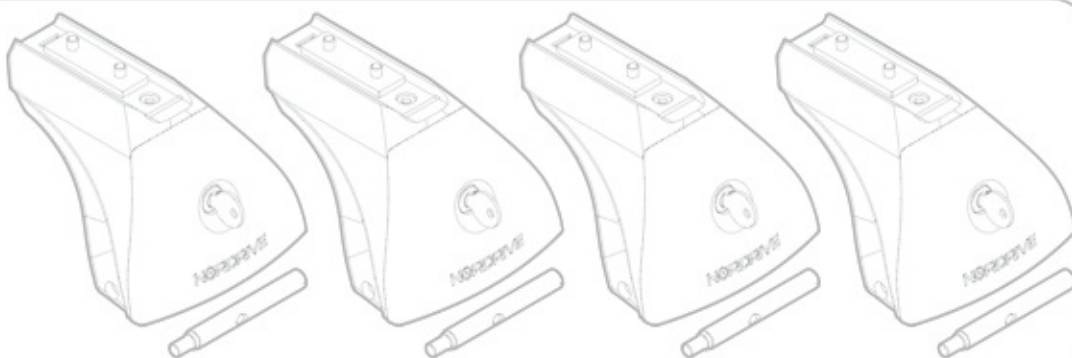
Art.
N21112



C



Art. **N20001**



B



Art. **N15019**



A

ACCIAIO
 Steel





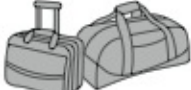
Art. **N15024**



A

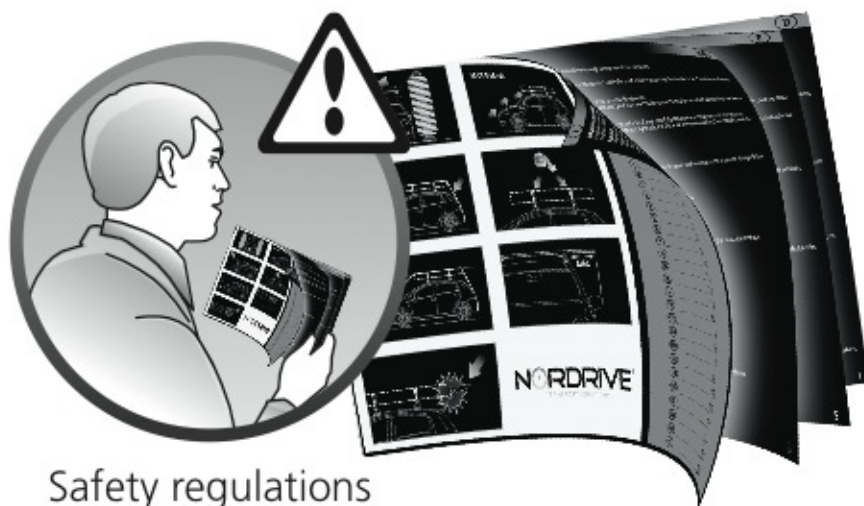
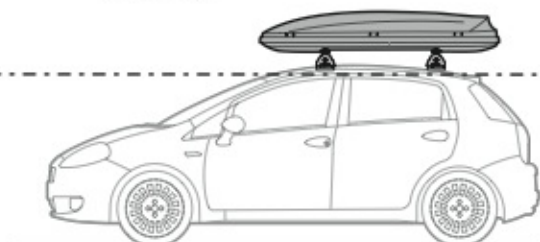
ALLUMINIO
 Aluminium



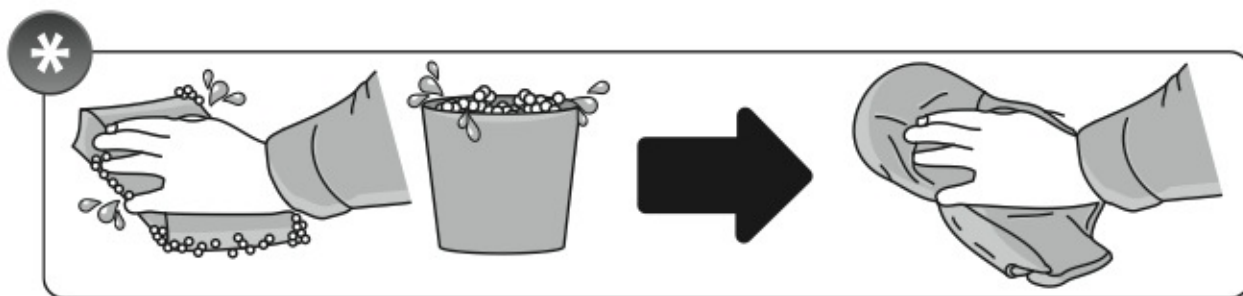
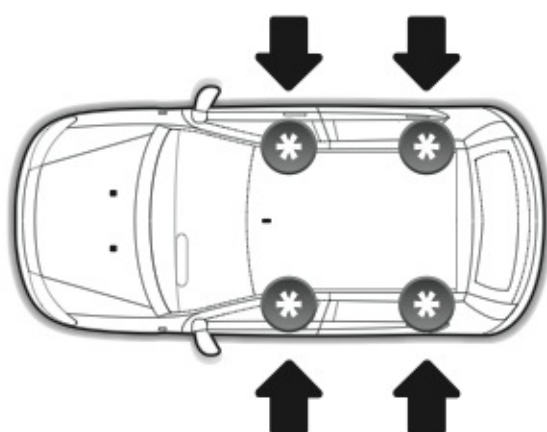
 +  +  = max: **75kg**
5,5kg



max:
???kg



Safety regulations



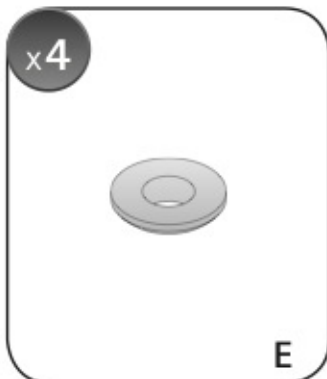
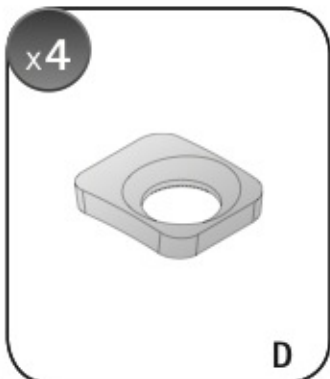
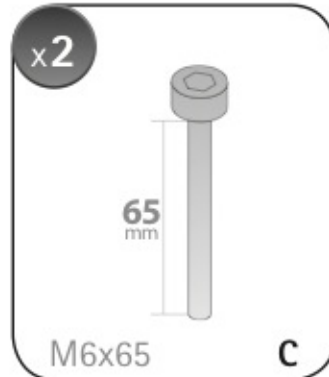
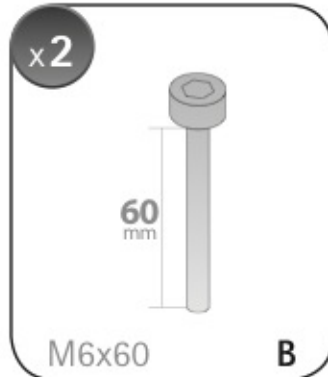
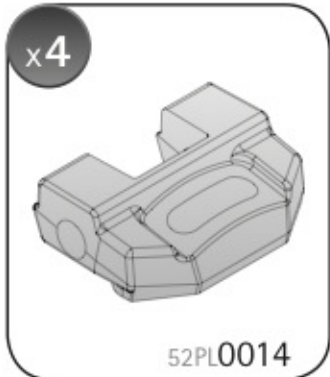
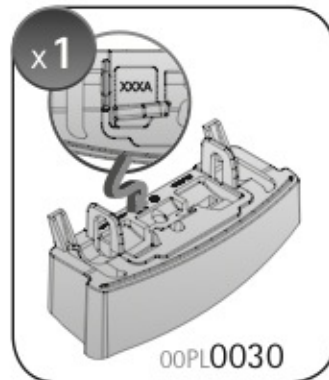
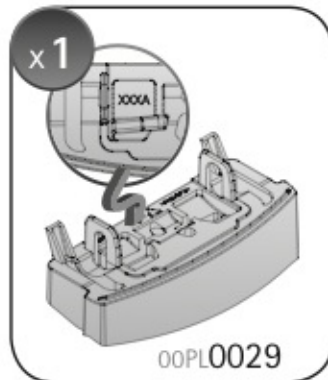
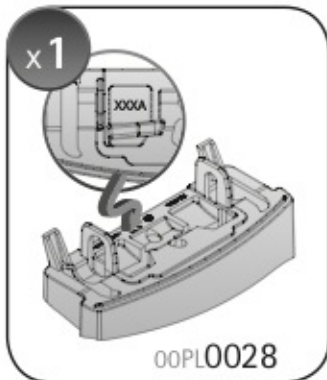
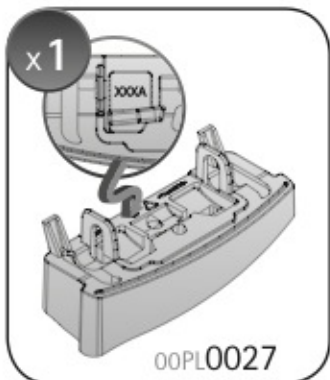
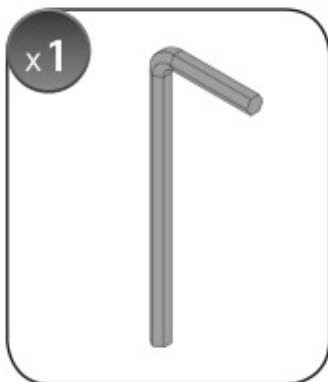


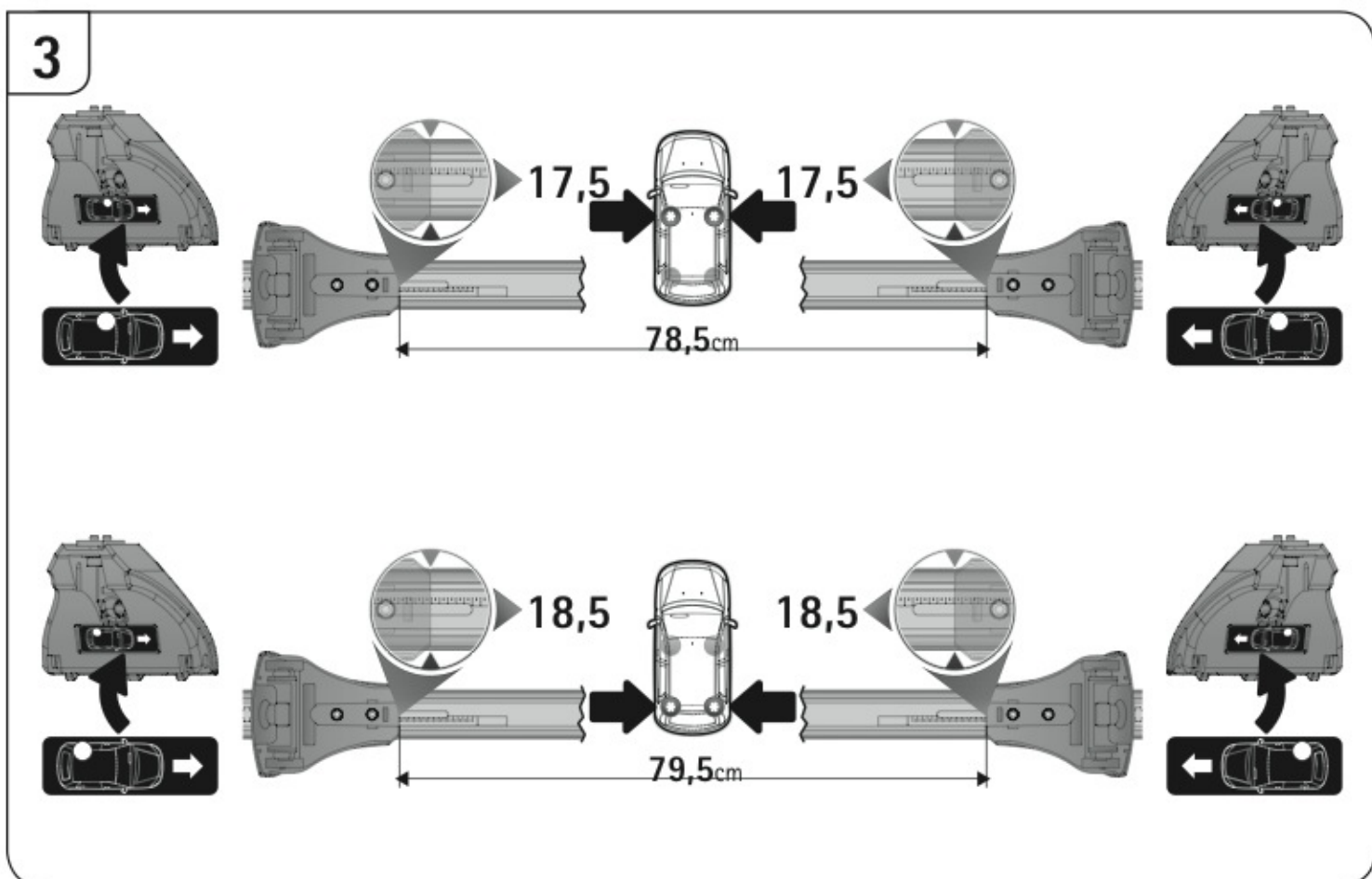
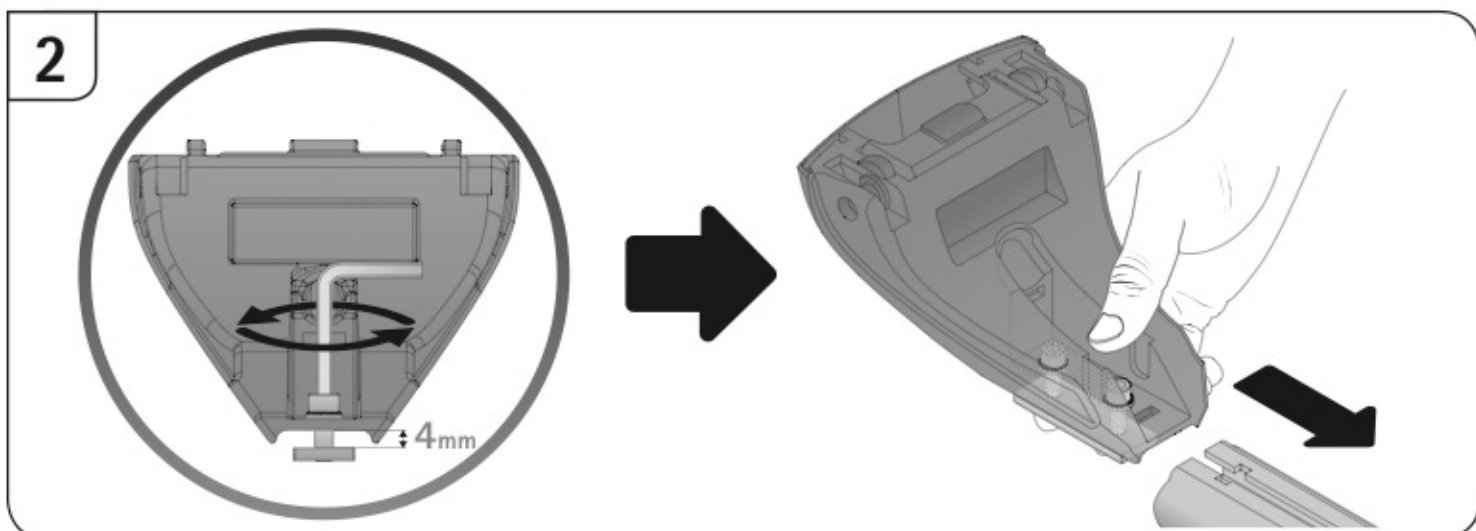
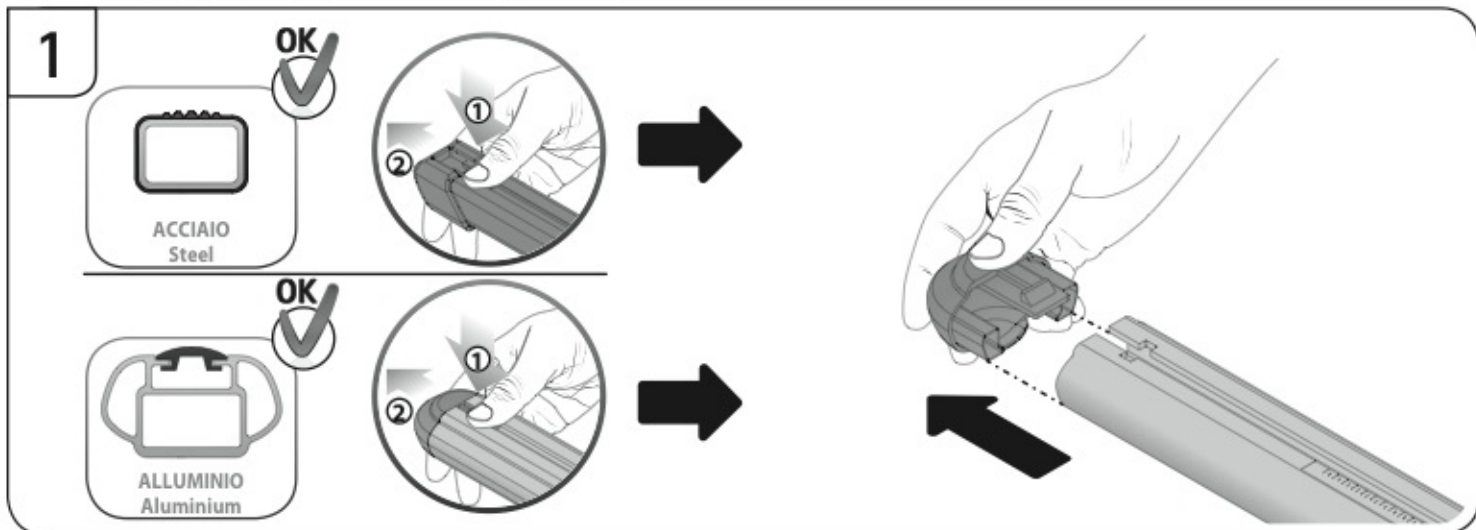
BMW SERIE 3
COUPÉ



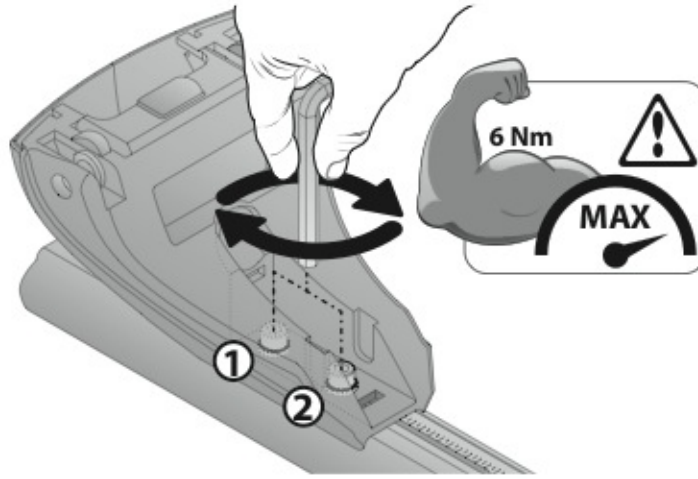
9/06 → 12/11

N21112

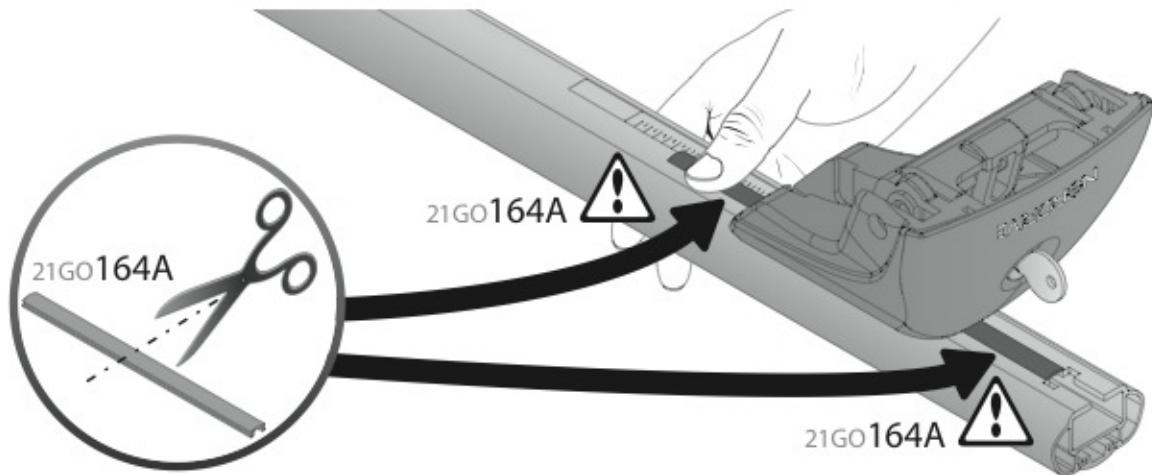




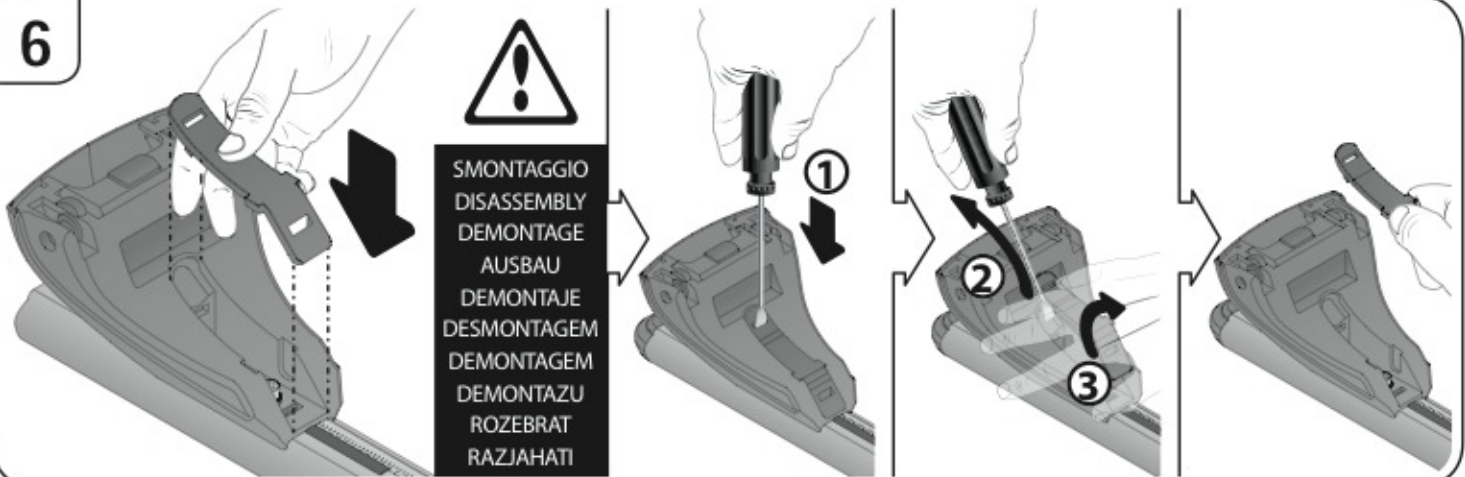
4



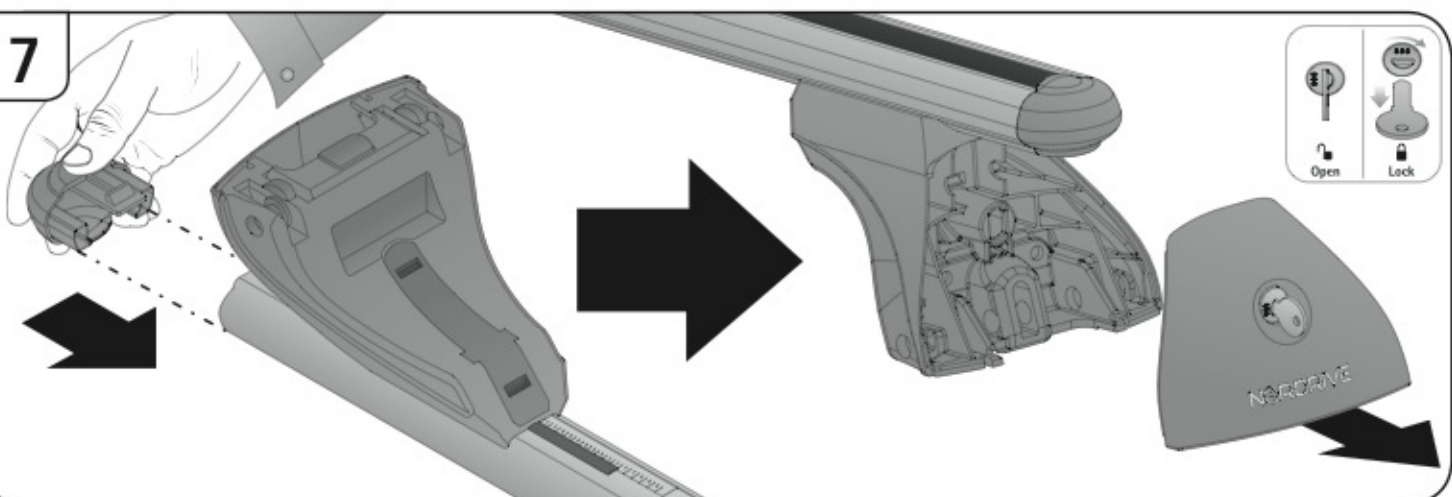
5



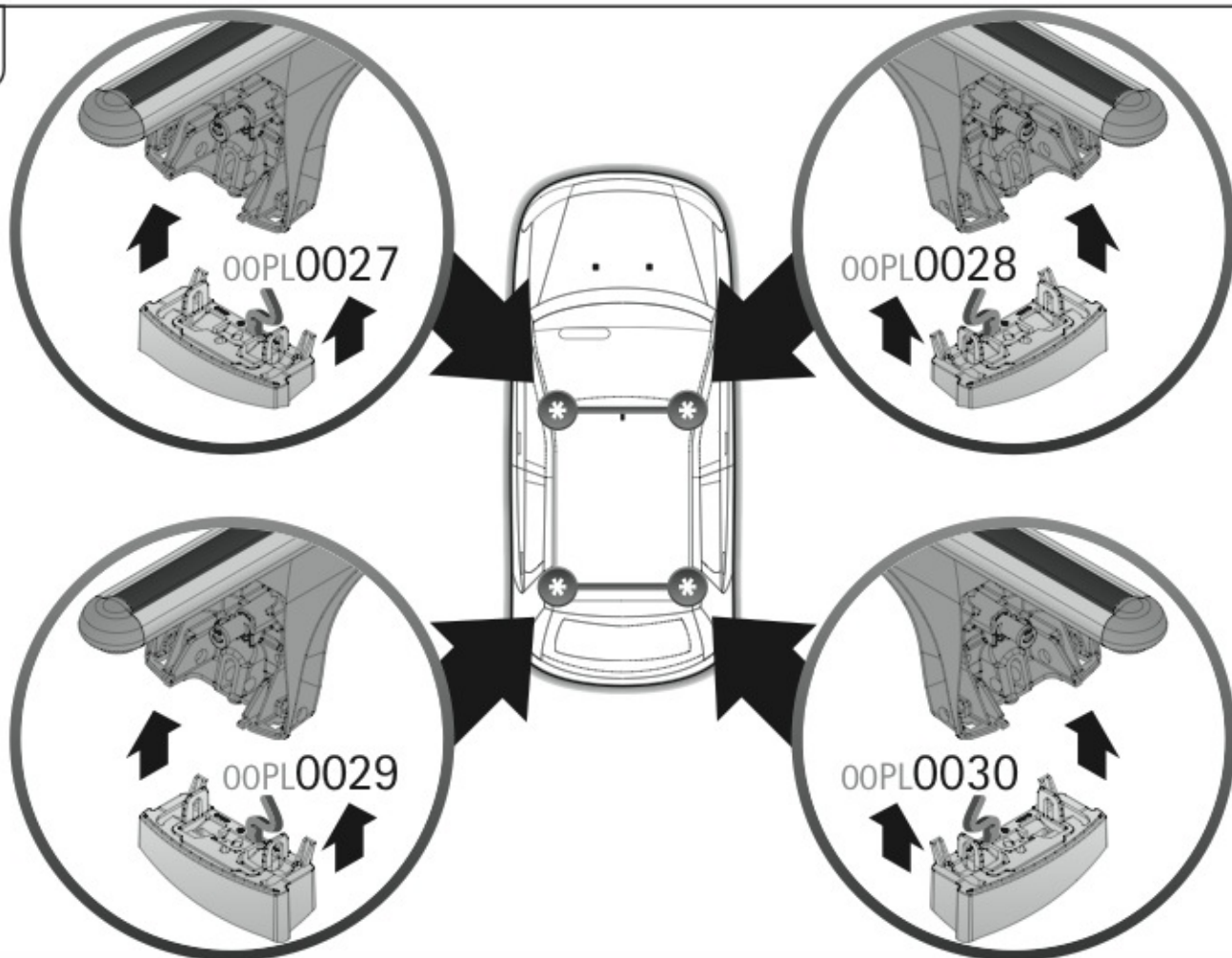
6



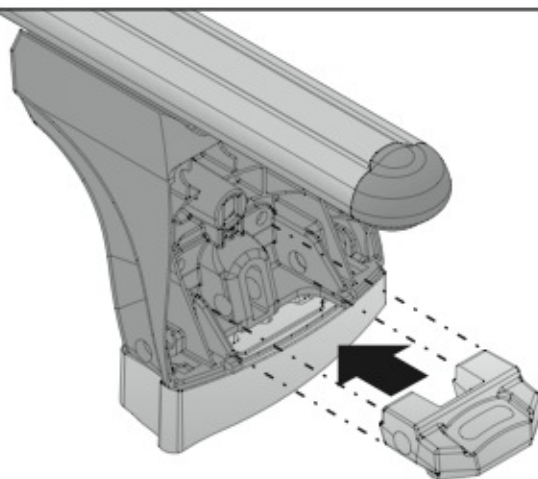
7



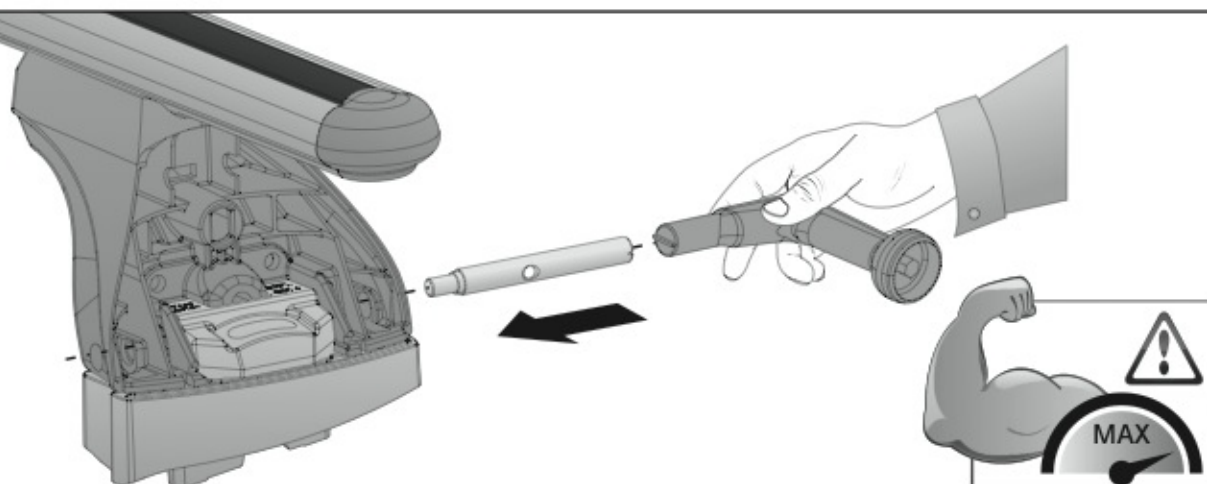
8



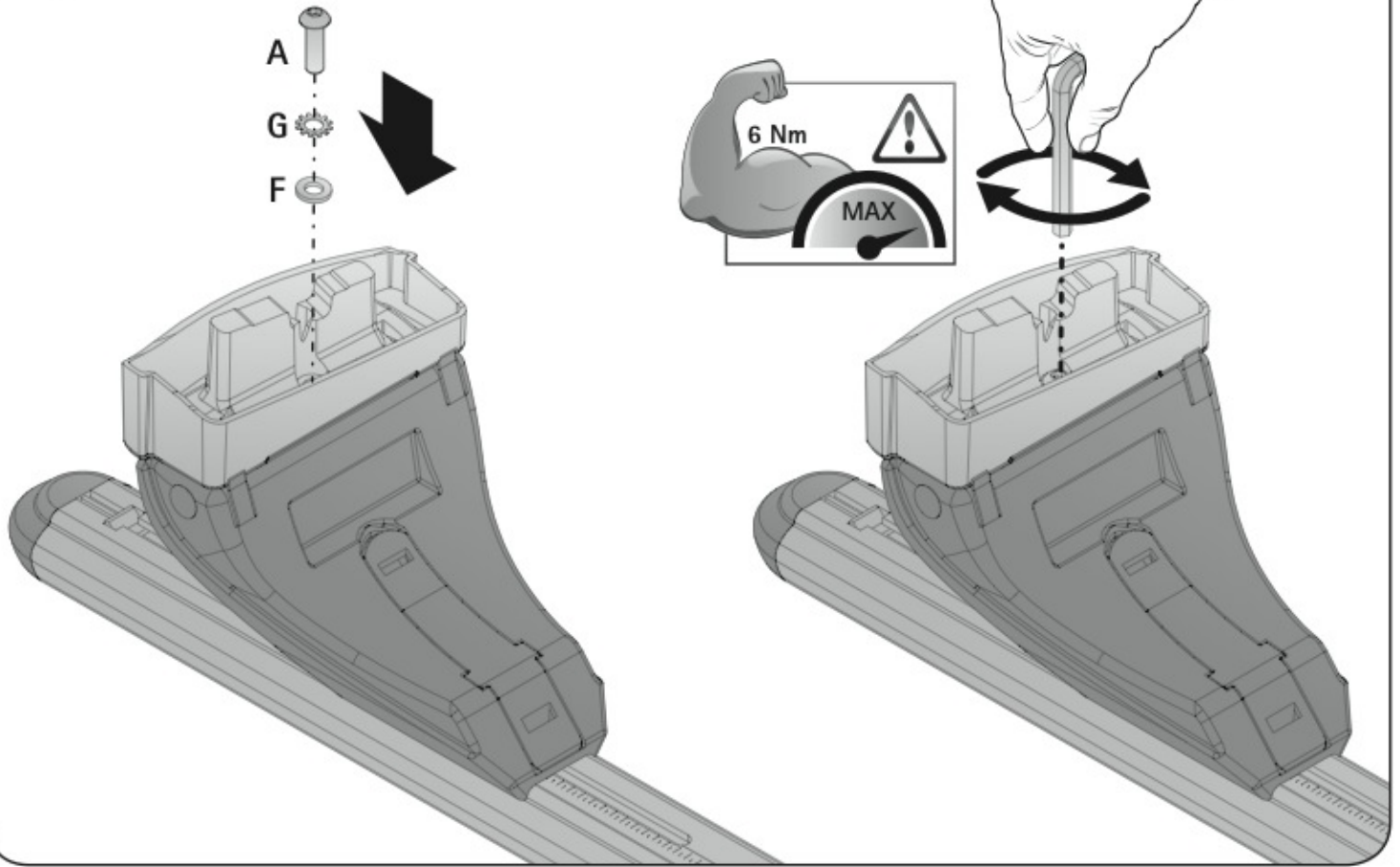
9



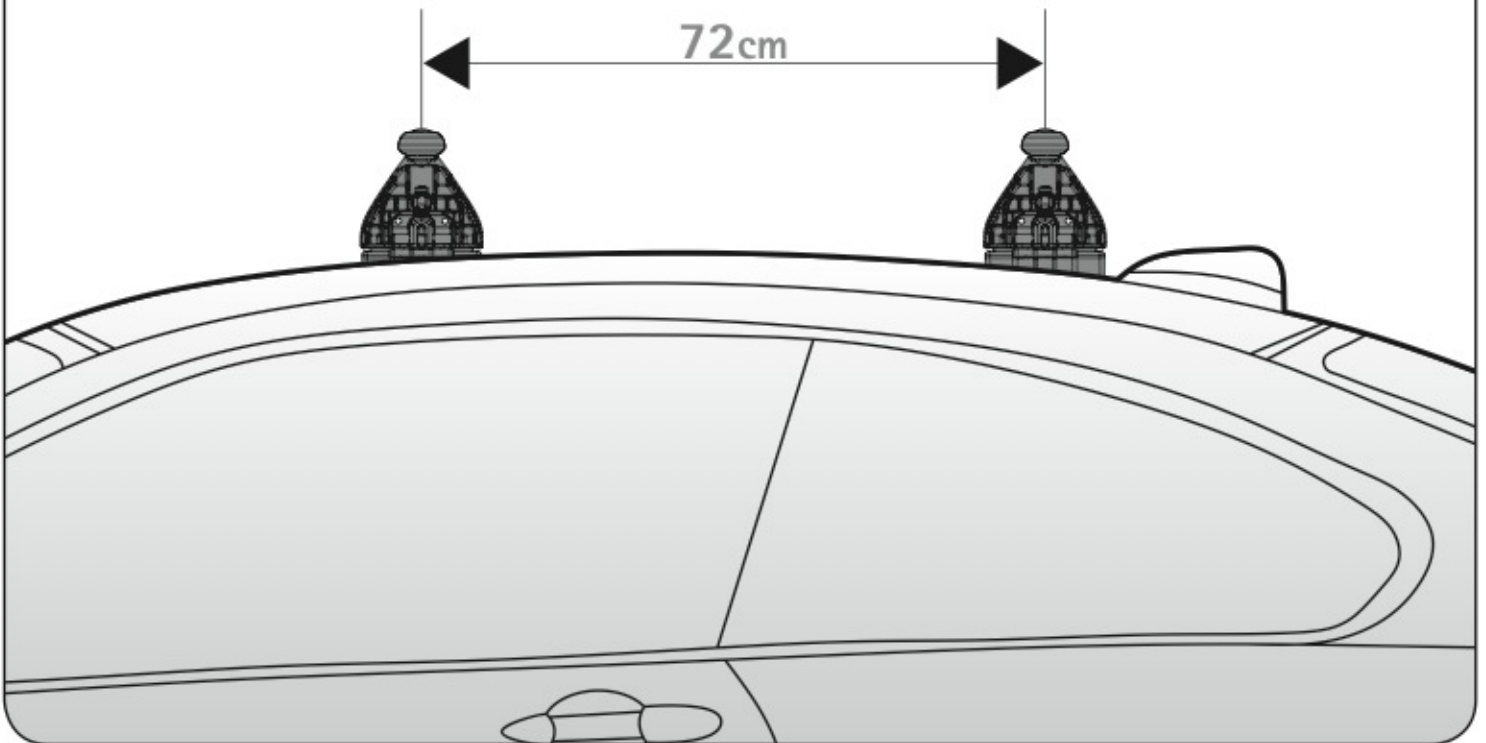
10



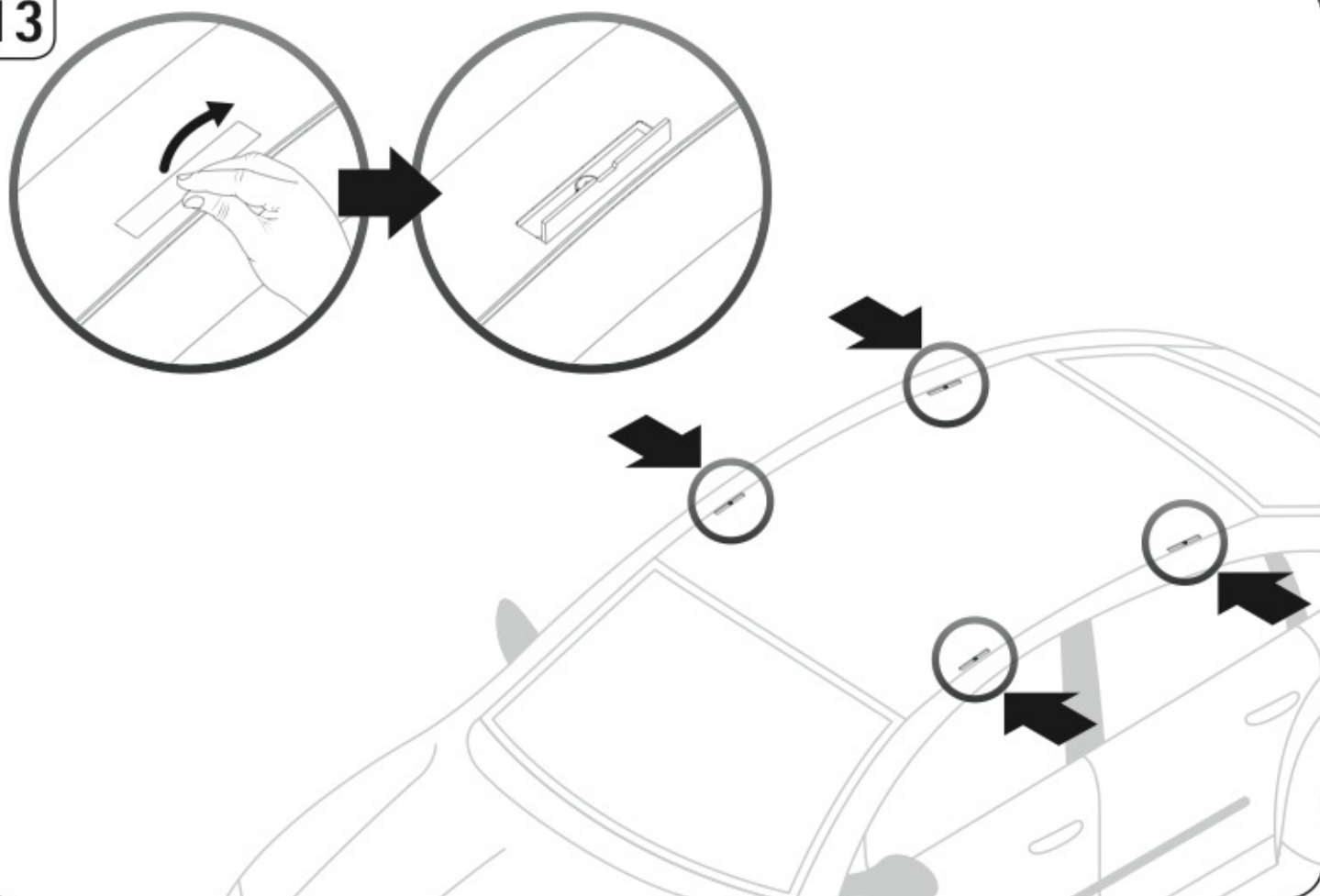
11



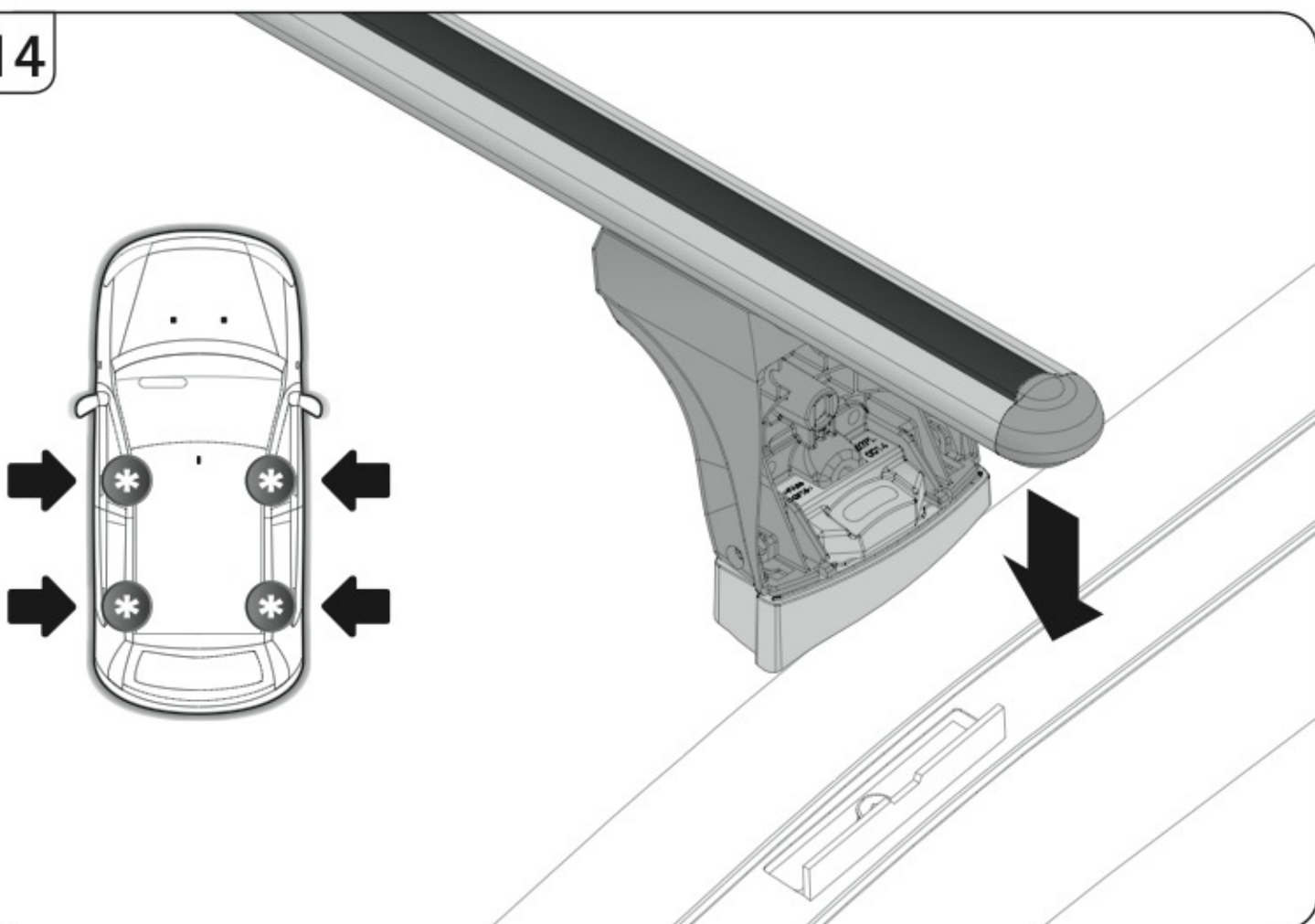
12

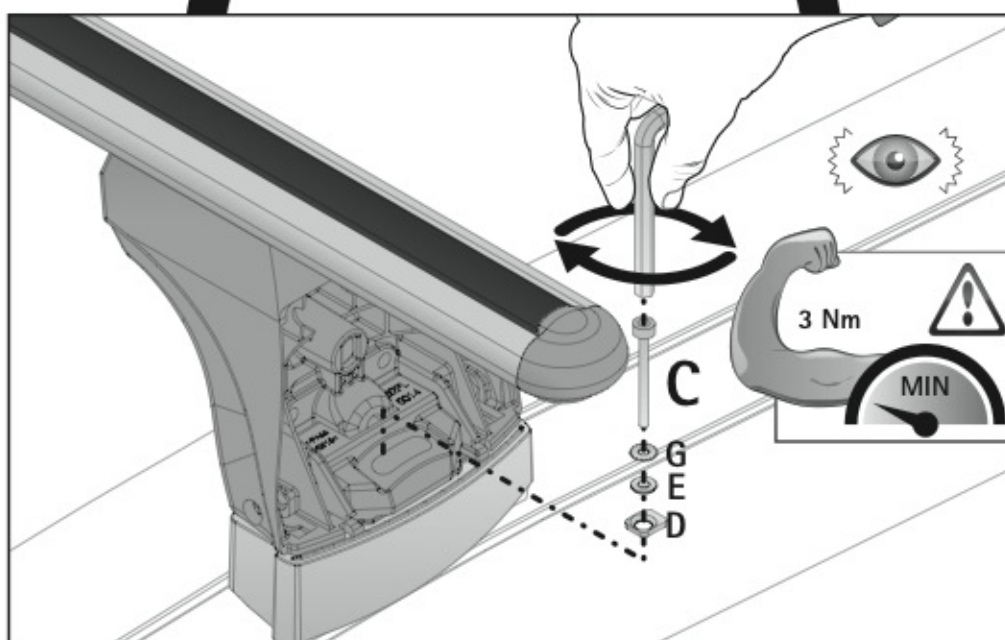
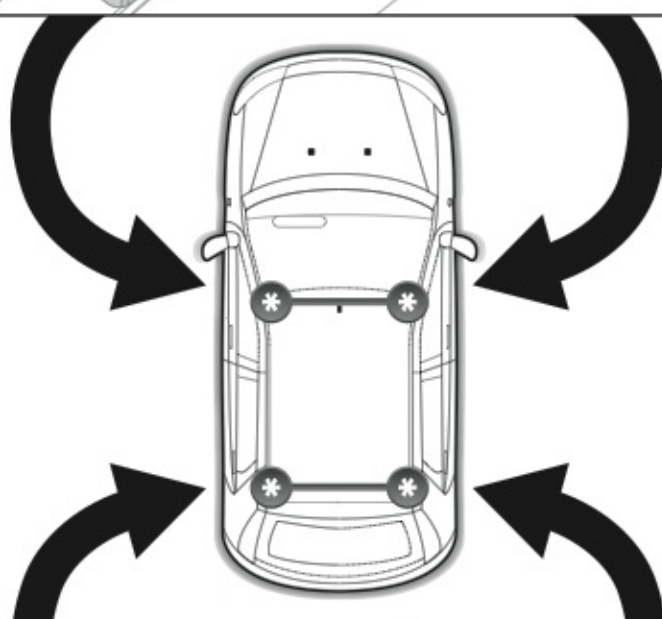
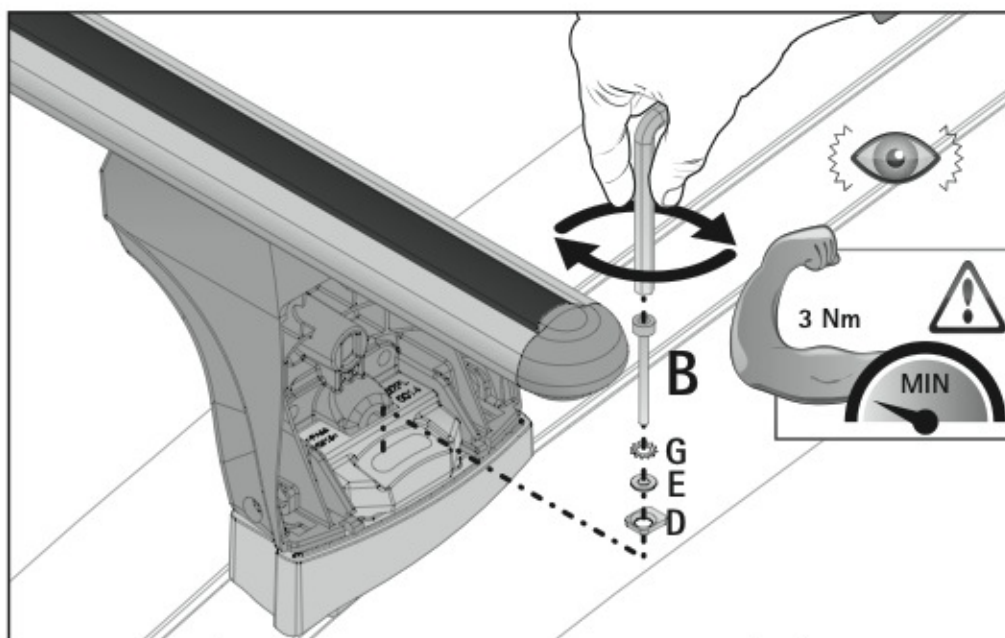


13

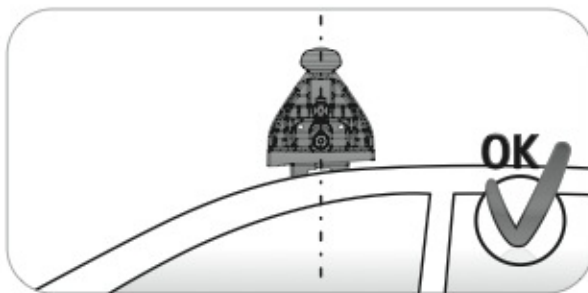
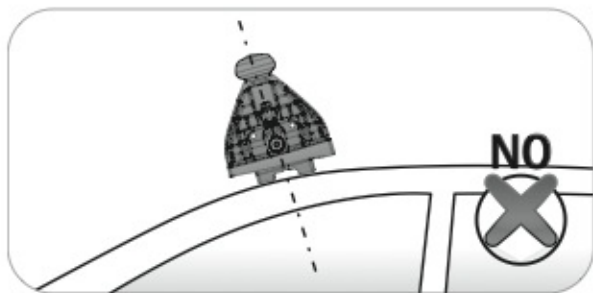


14

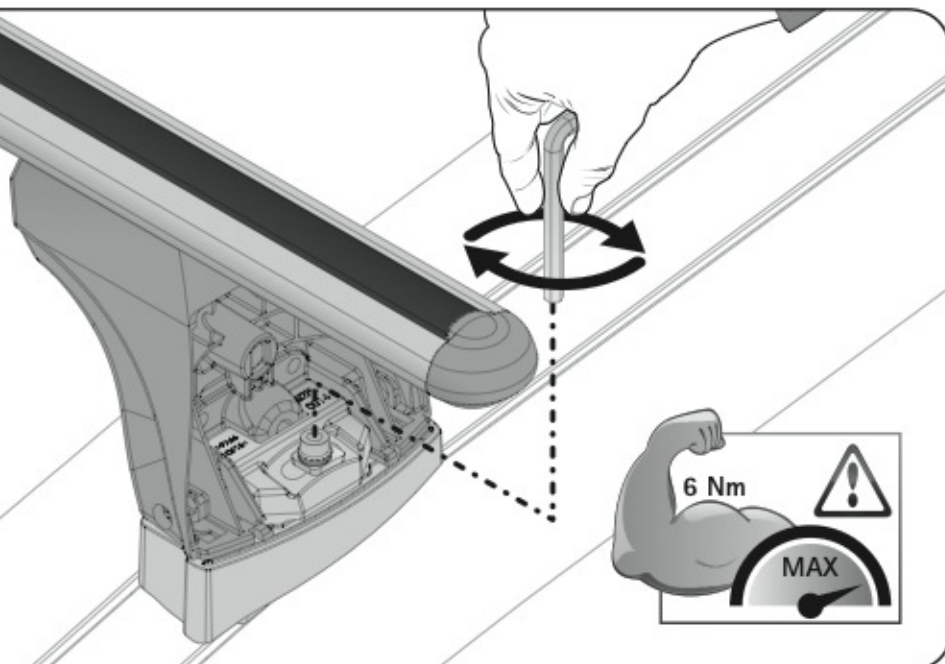
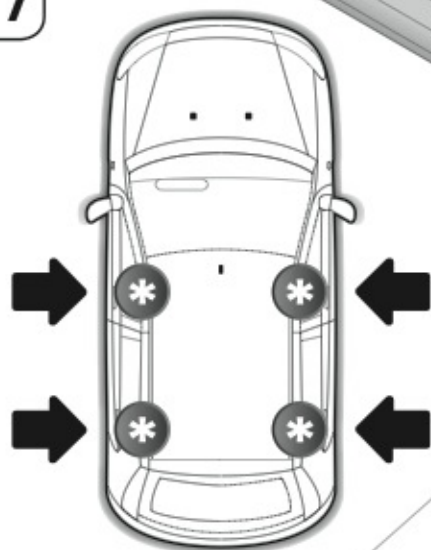




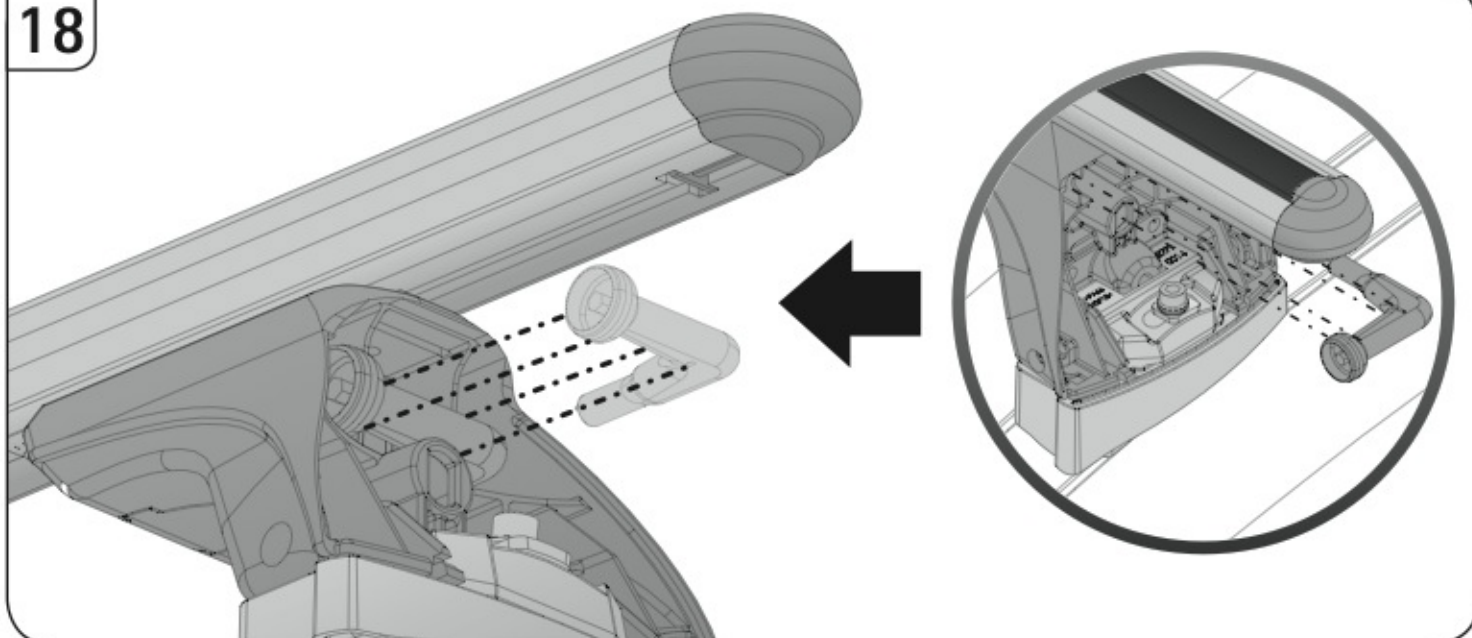
16



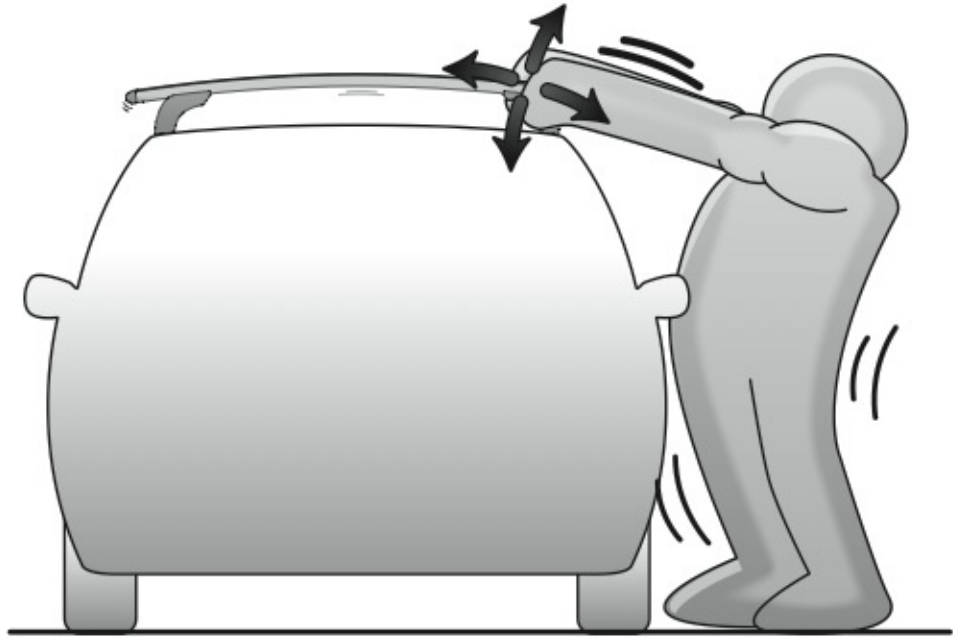
17



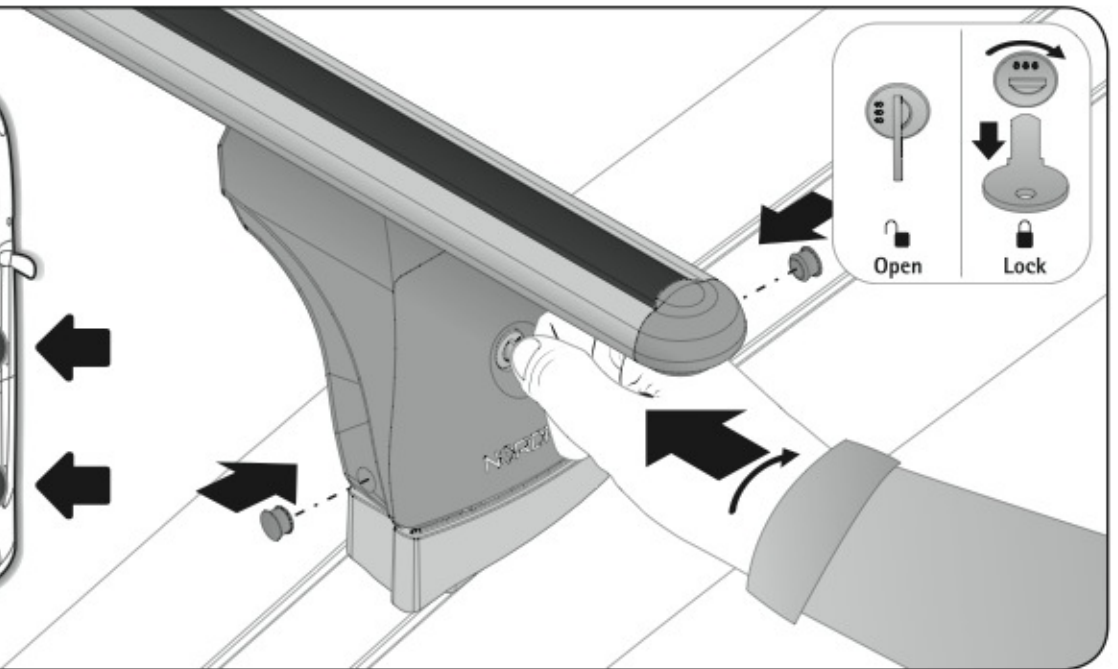
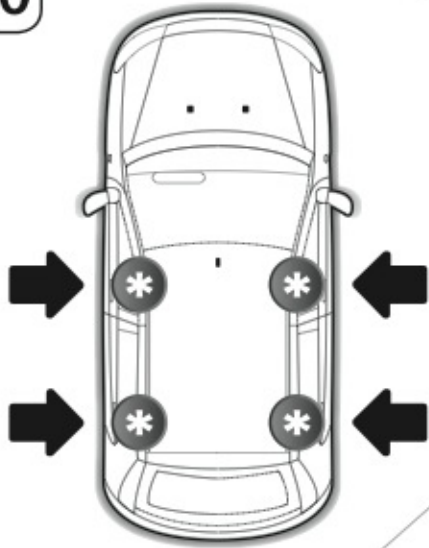
18



19



20



EVOS

EVOLUZIONE ZERO SYSTEM

NORDRIVE[®]
TRANSPORT SOLUTIONS

is a registered trade mark of

LAMPA S.p.A.

46019 Viadana (MN) ITALY

Ditta certificata UNI EN ISO 9001:2008

www.nordrive.it

www.lampa.it