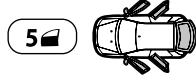


# EVOS

## NORDRIVE

TRANSPORT SOLUTIONS

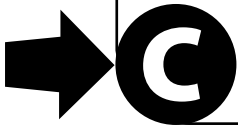
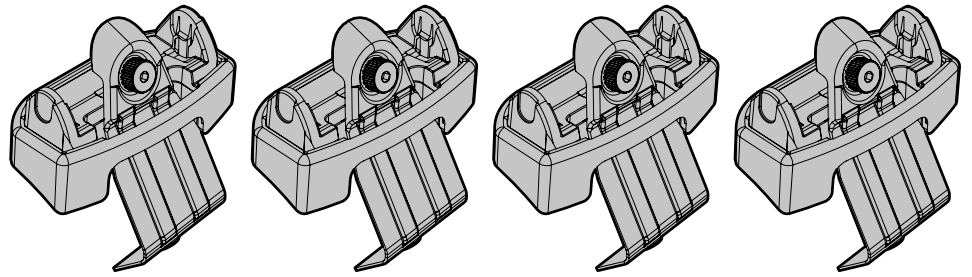
FORD  
FOCUS



2000 03/11 → 05/18  
2000 06/18 →

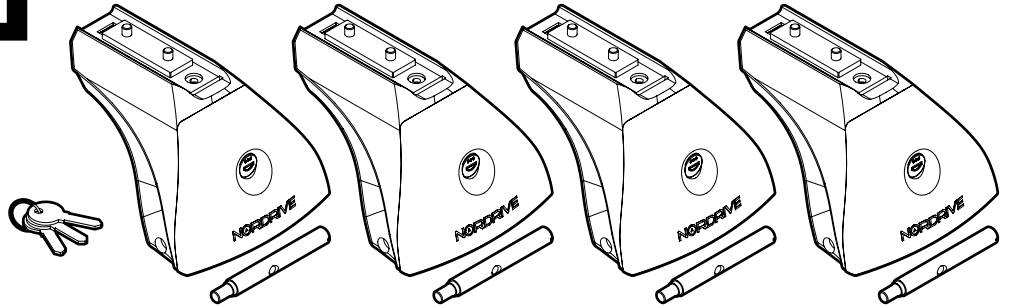


Art. N21117



+

Art. N20001



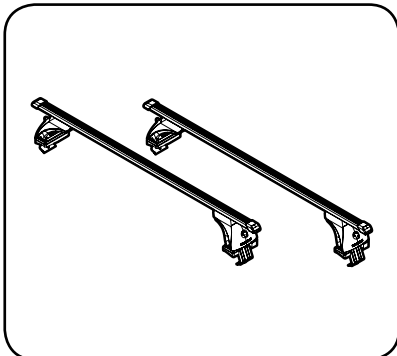
+

Art. N15020 **M**

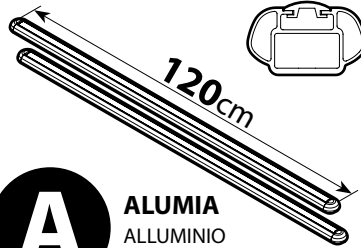


**A** QUADRA  
ACCIAIO  
Steel

=

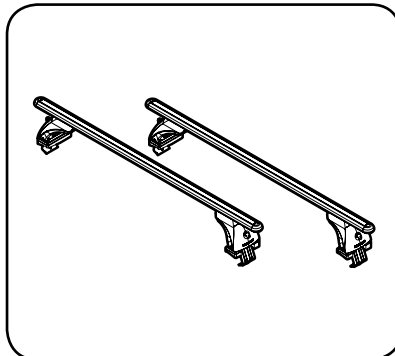


Art. N15025 **M**



**A** ALUMIA  
ALLUMINIO  
Aluminium

=

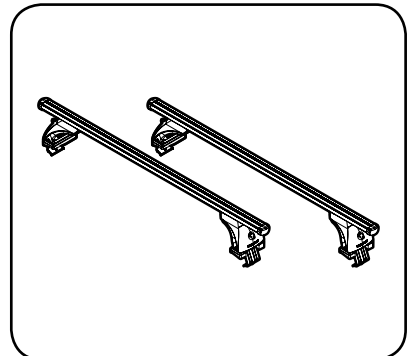


Art. N15075 **M**

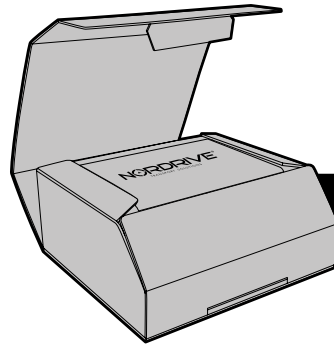


**A** HELIO  
ALLUMINIO  
Aluminium

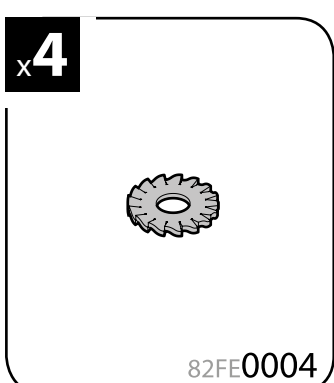
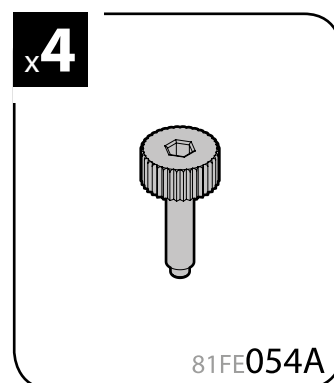
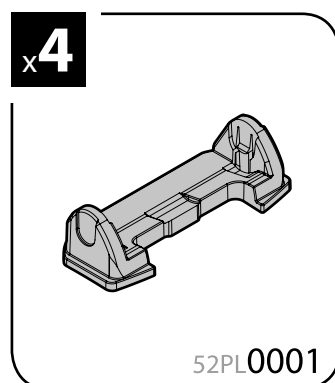
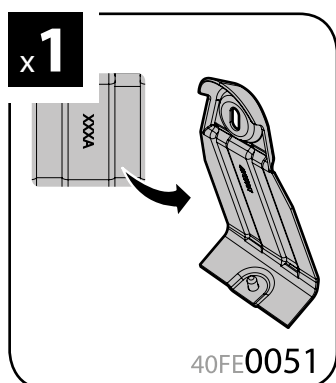
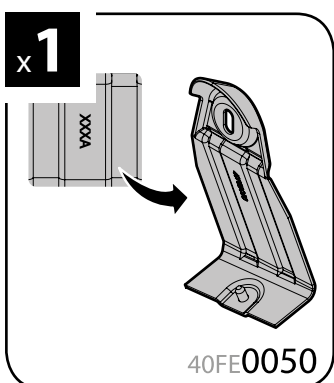
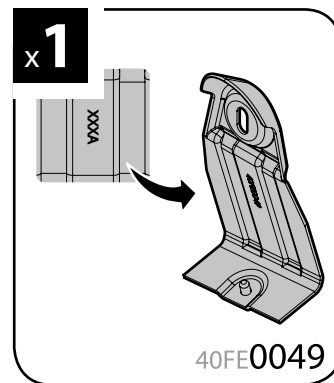
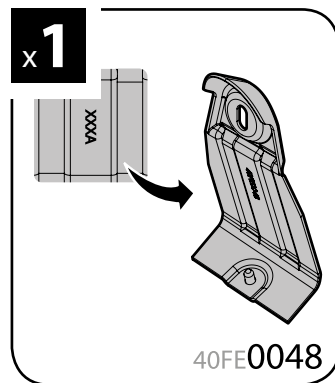
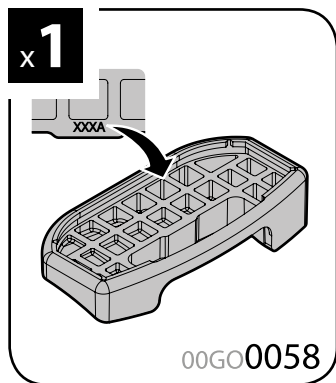
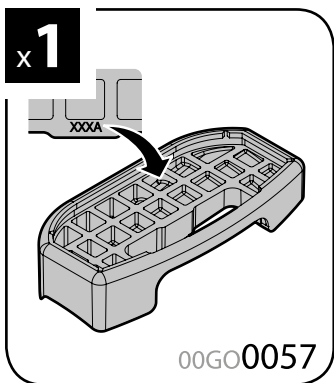
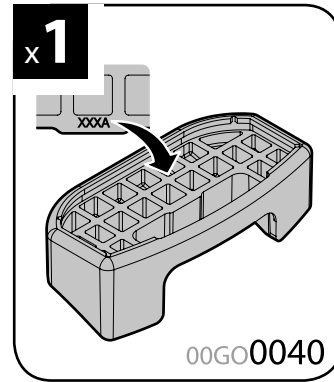
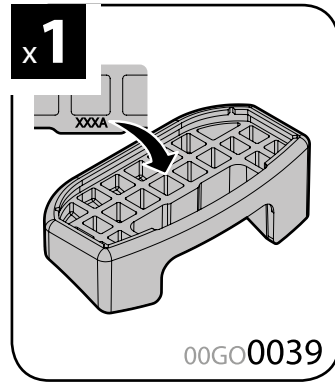
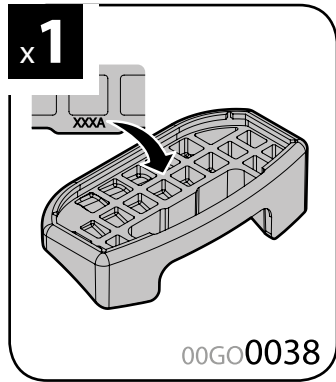
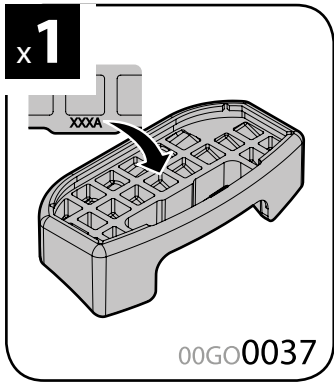
=

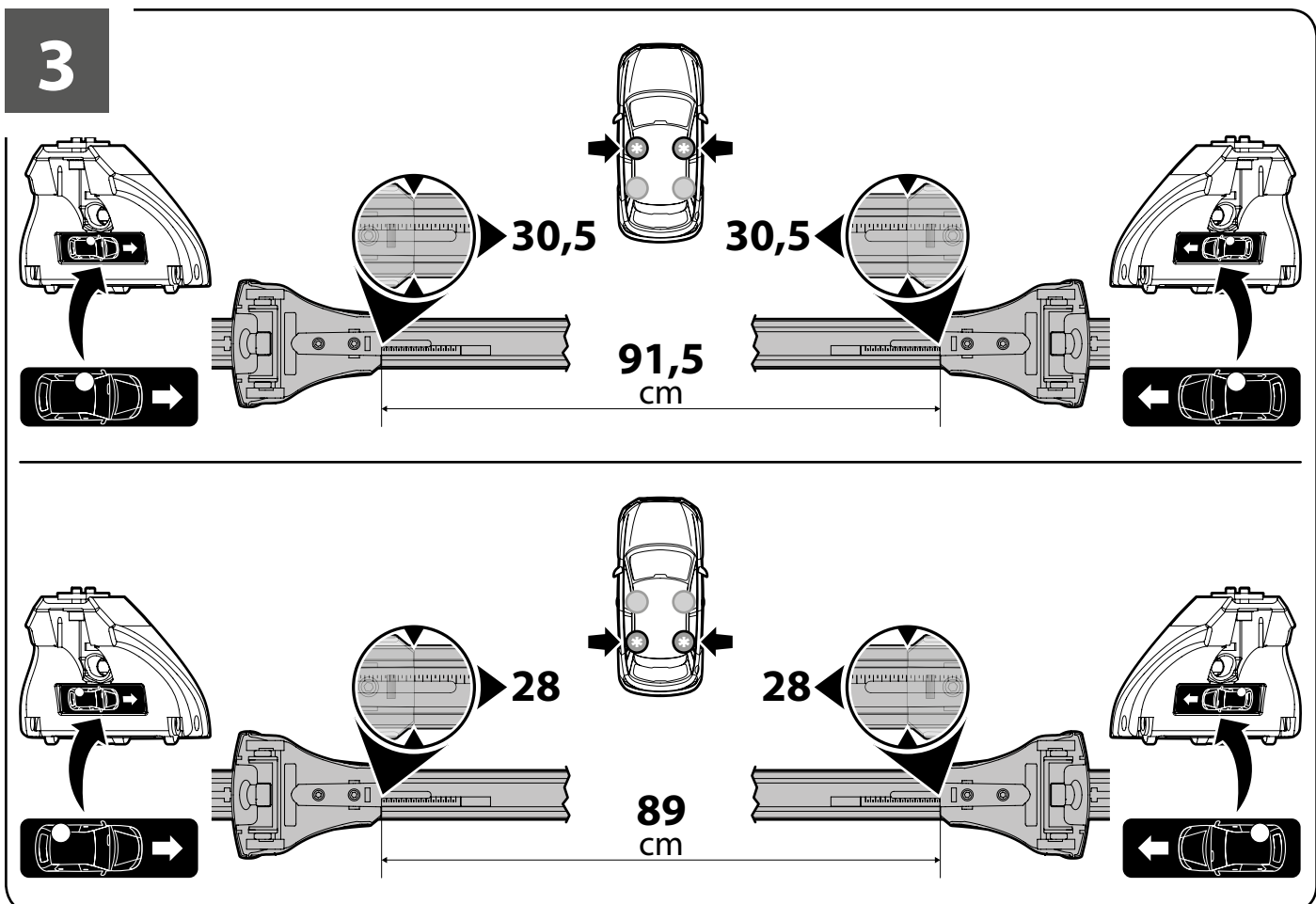
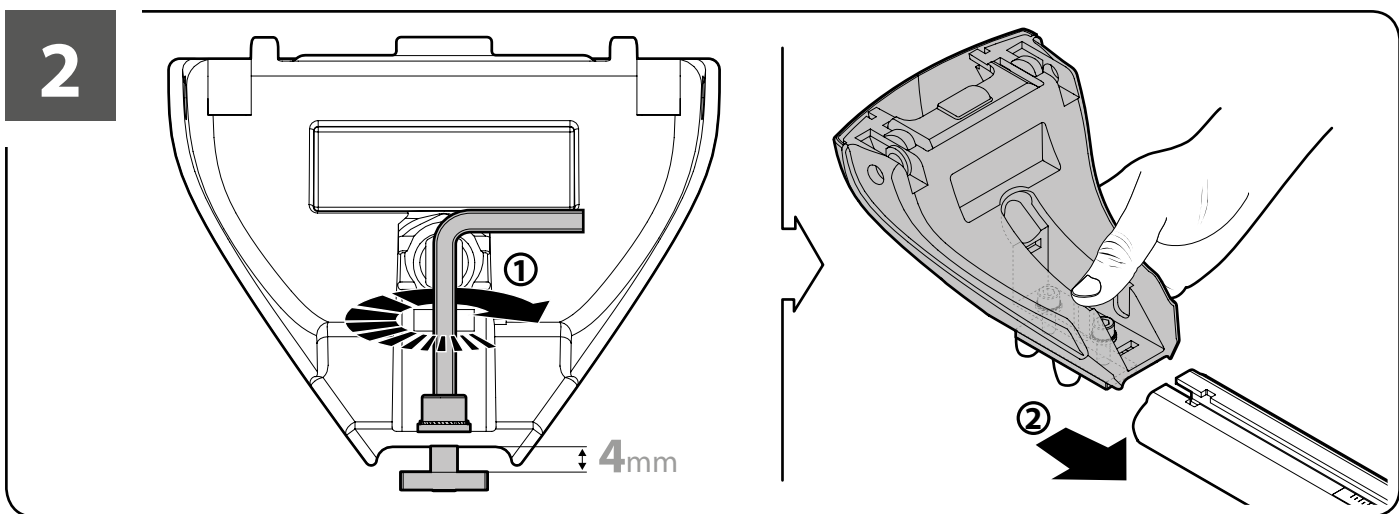
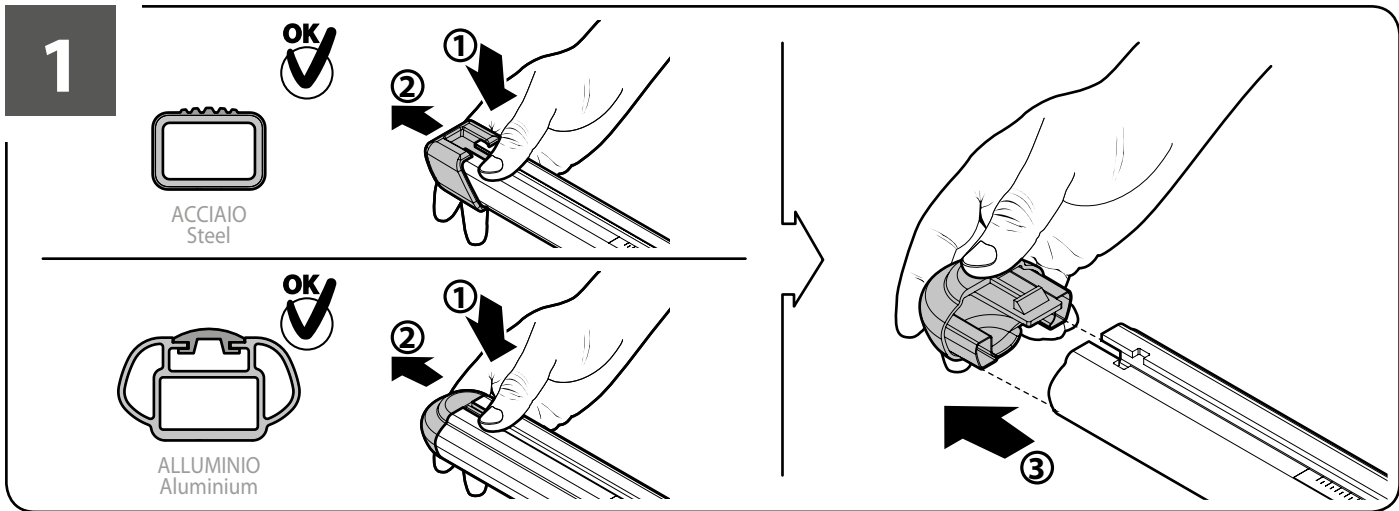




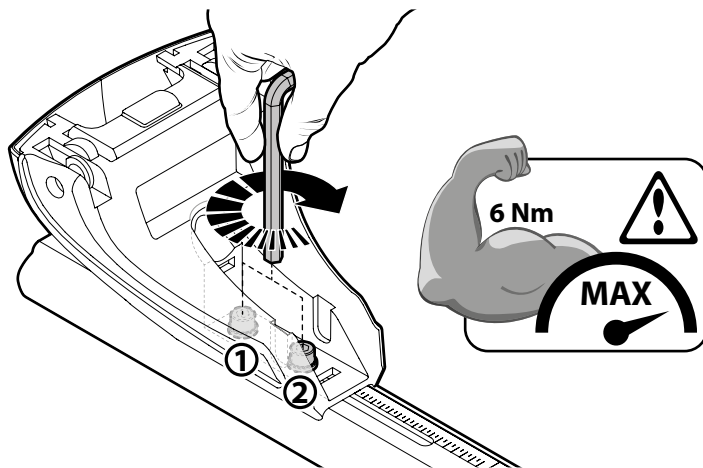


Art. **N21117**

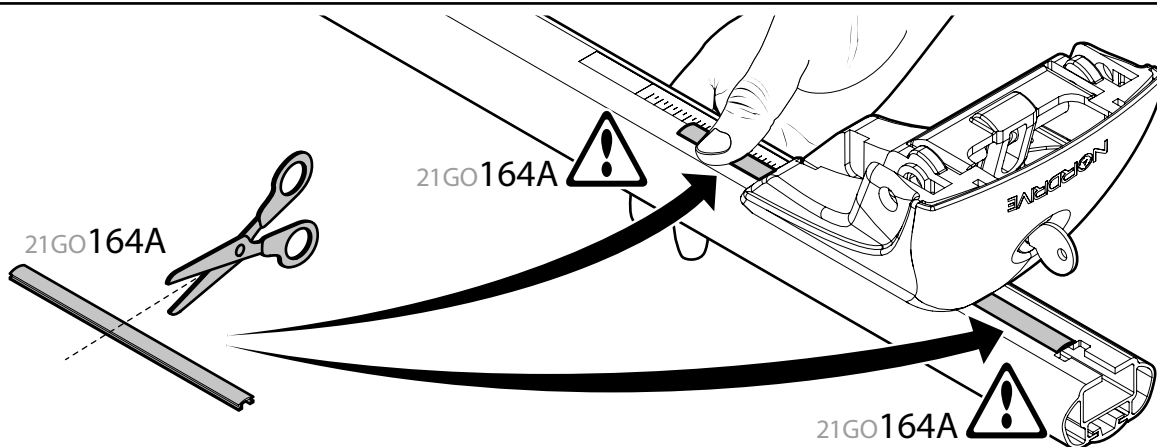




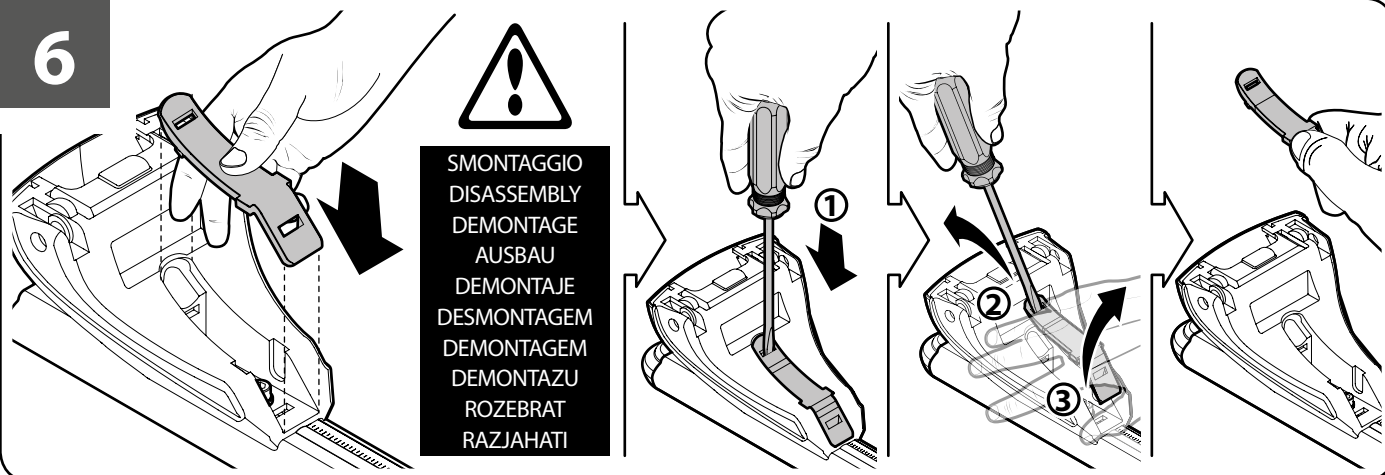
4



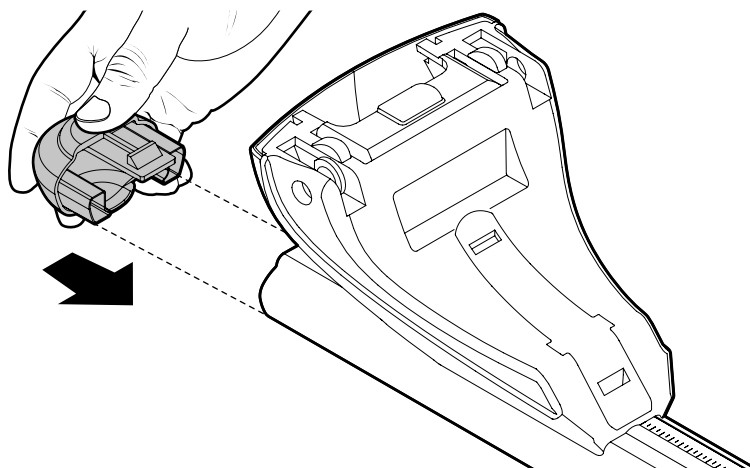
5



6

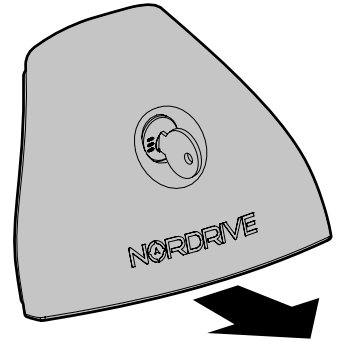
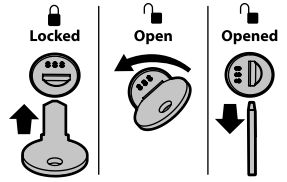
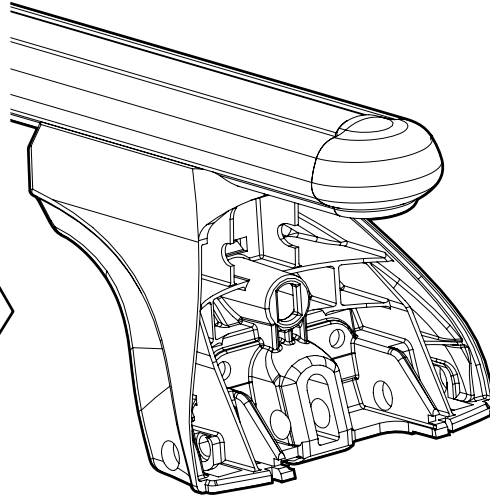
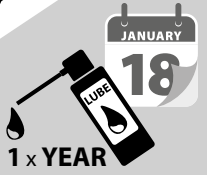


7

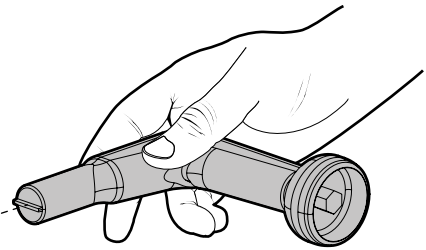
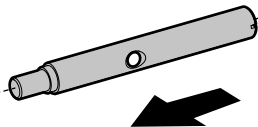
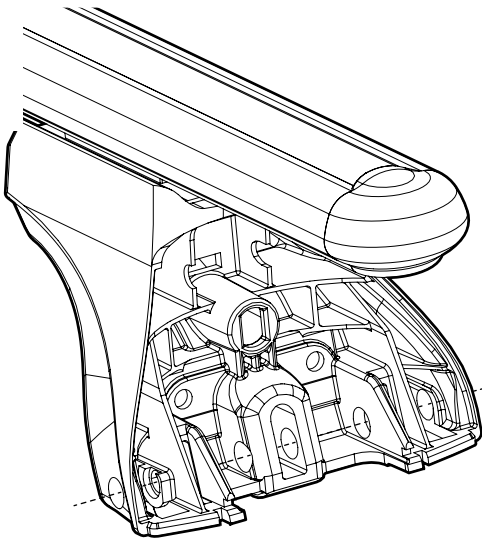


8

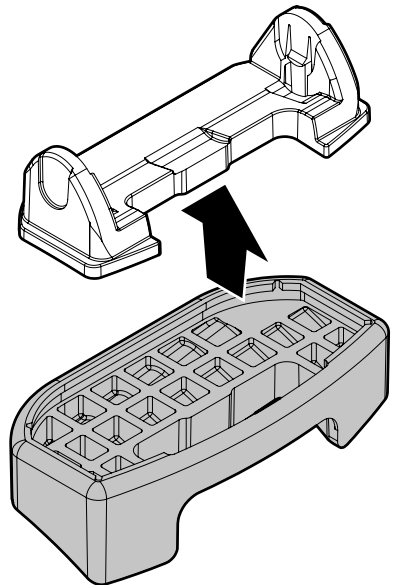
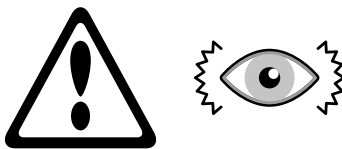
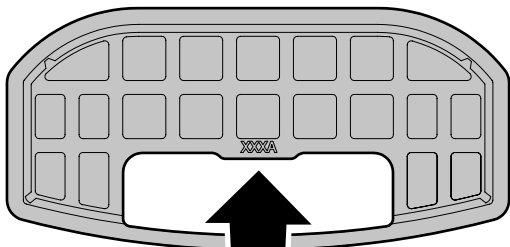
🔥 x1



9



10



# 11A

**FORD FOCUS**

03/11→05/18

52PL0001

00GO0037

52PL0001

00GO0038

52PL0001

00GO0039

52PL0001

00GO0040

# 11B

**FORD FOCUS**

06/18→

52PL0001

00GO0057

52PL0001

00GO0058

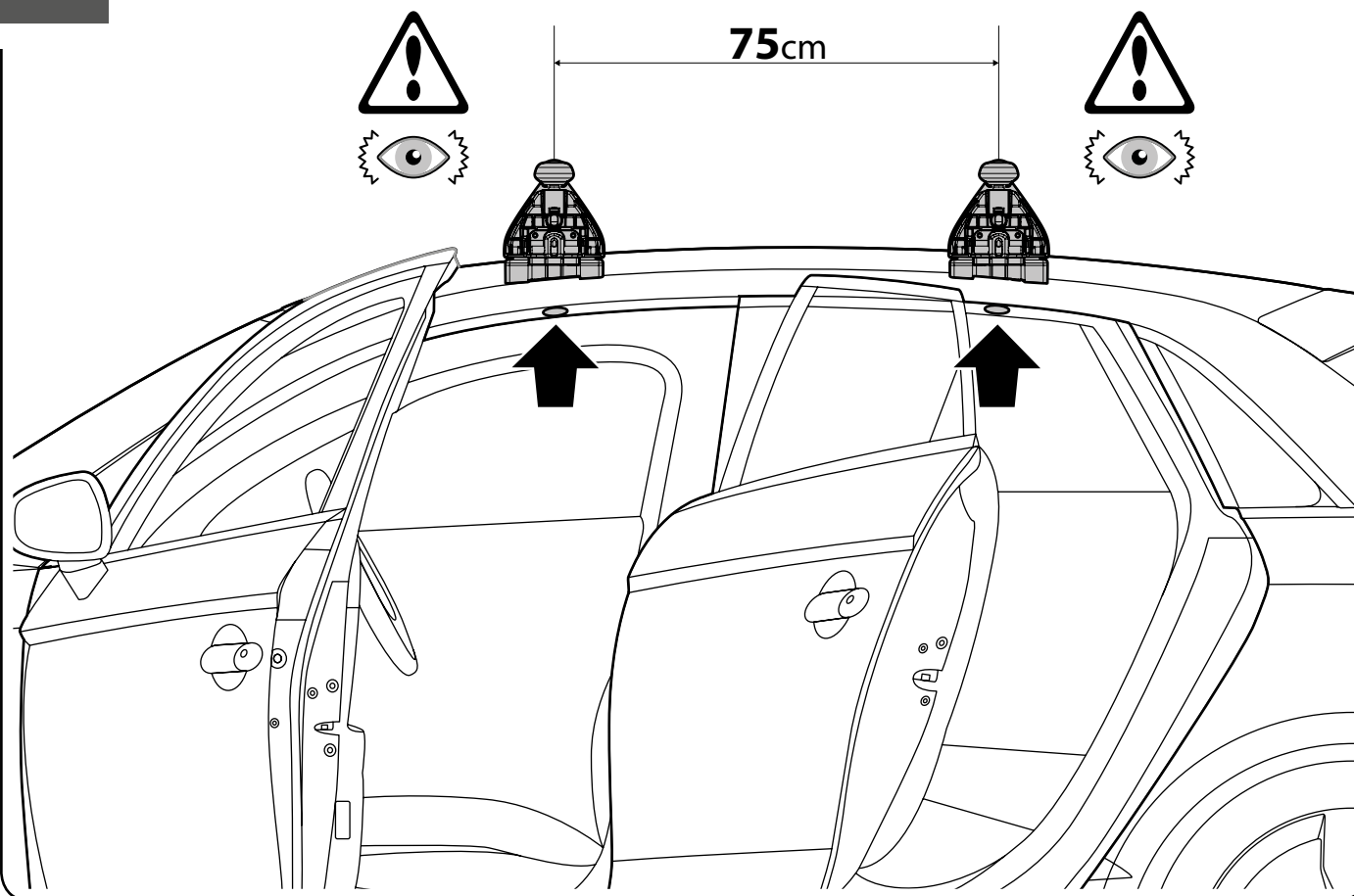
52PL0001

00GO0039

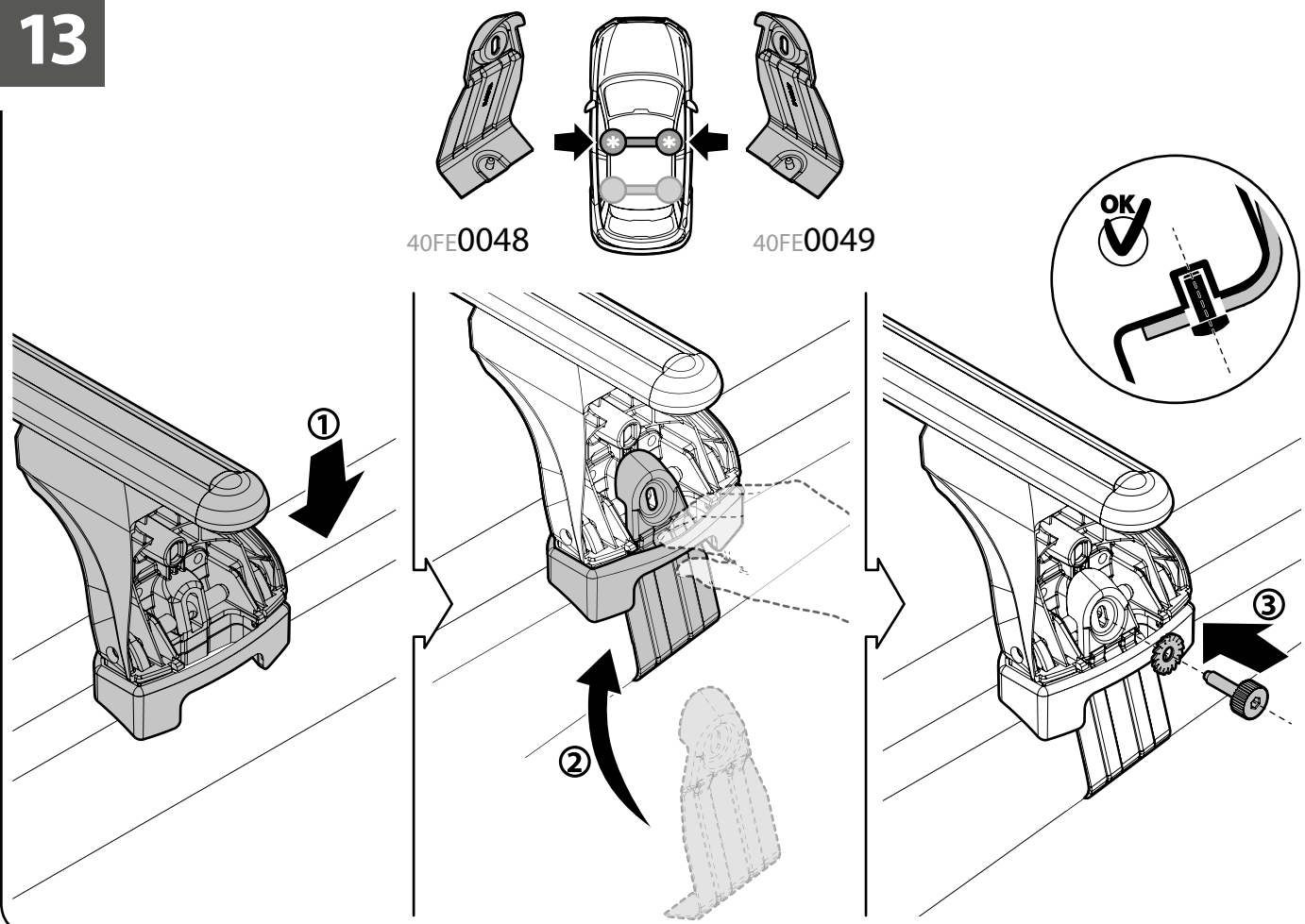
52PL0001

00GO0040

12

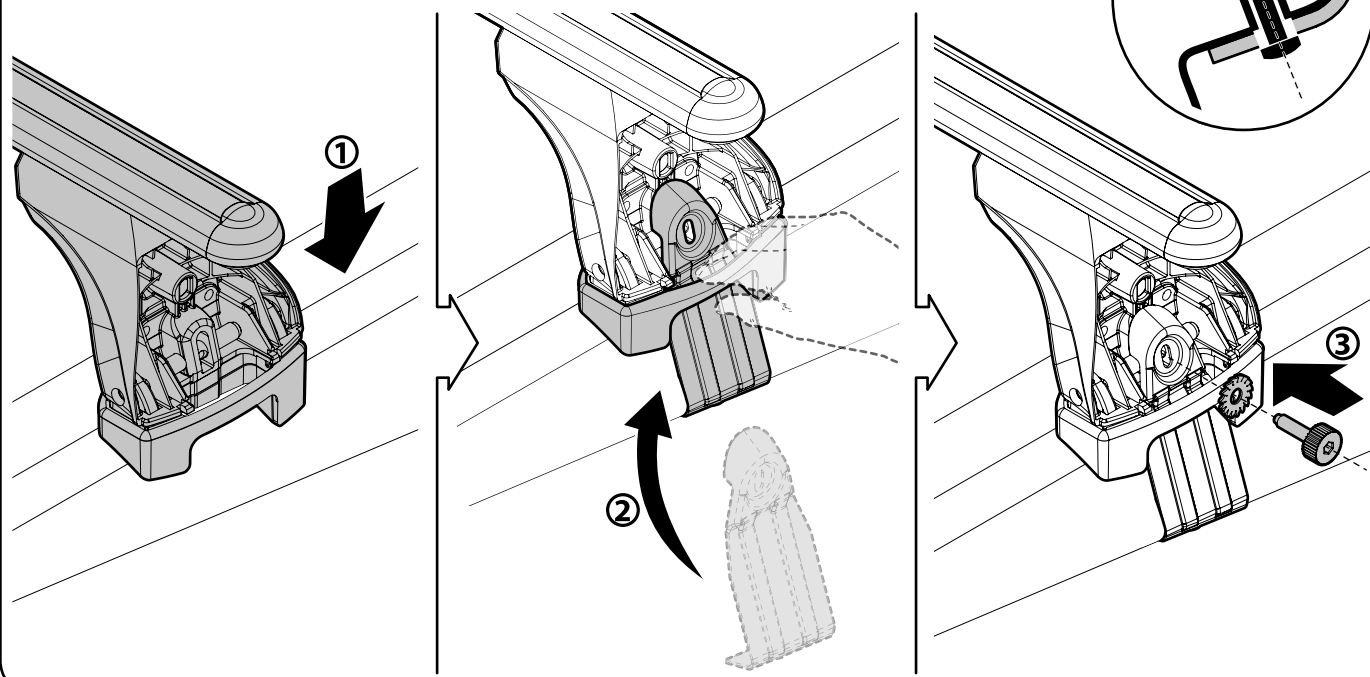
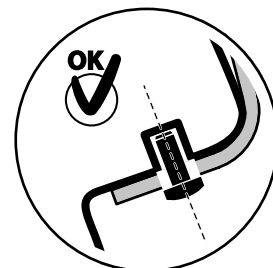
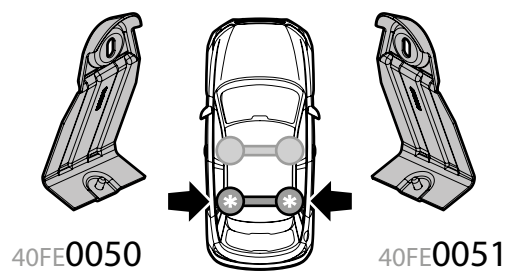


13

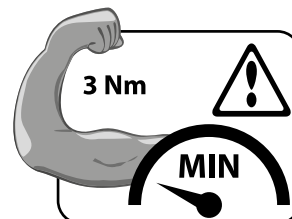
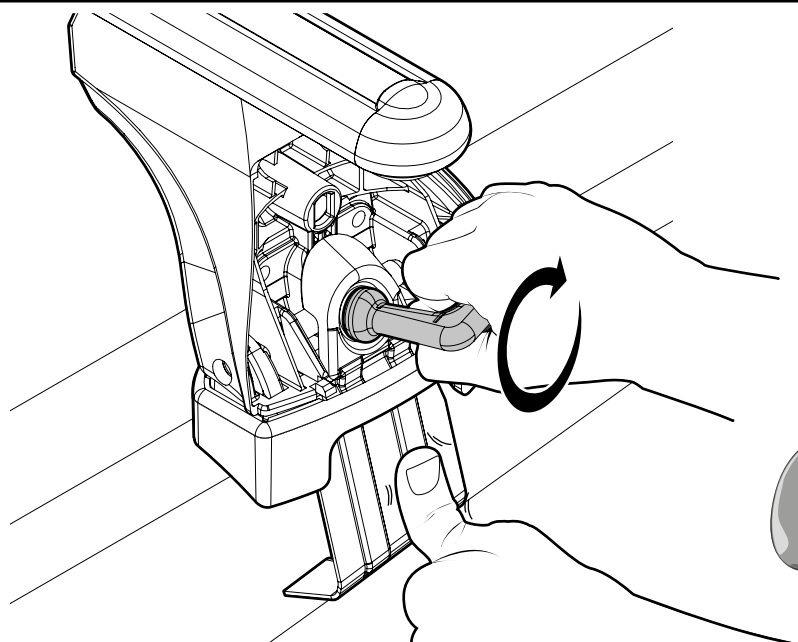
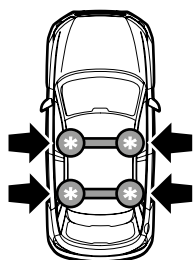




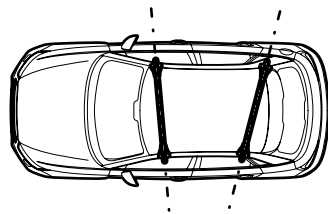
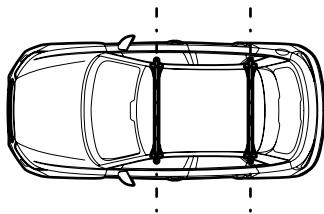
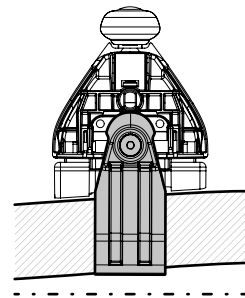
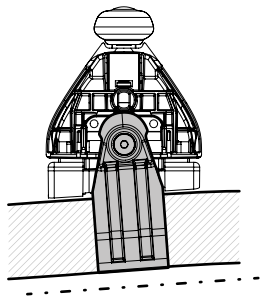
14



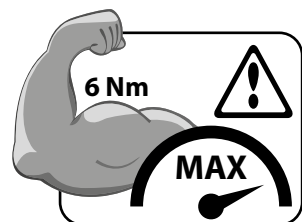
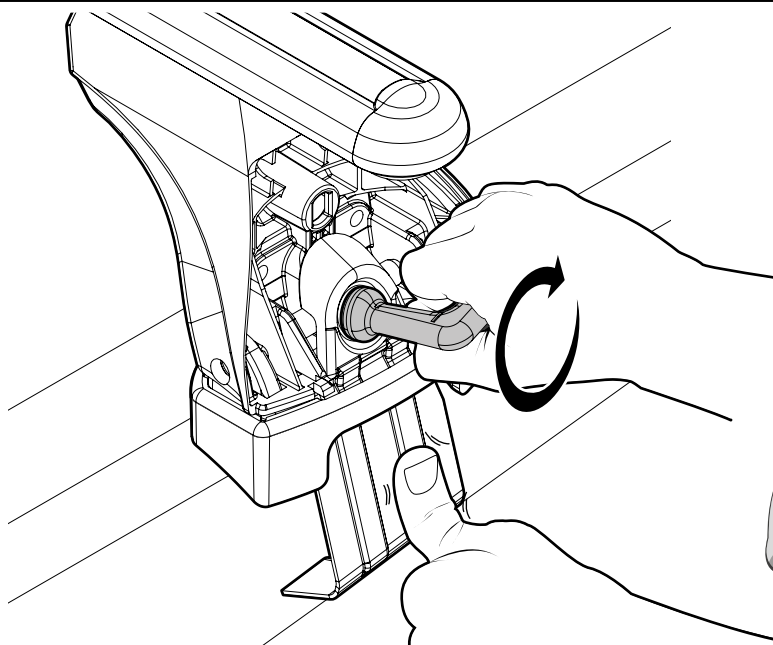
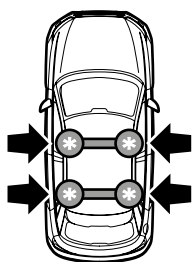
15



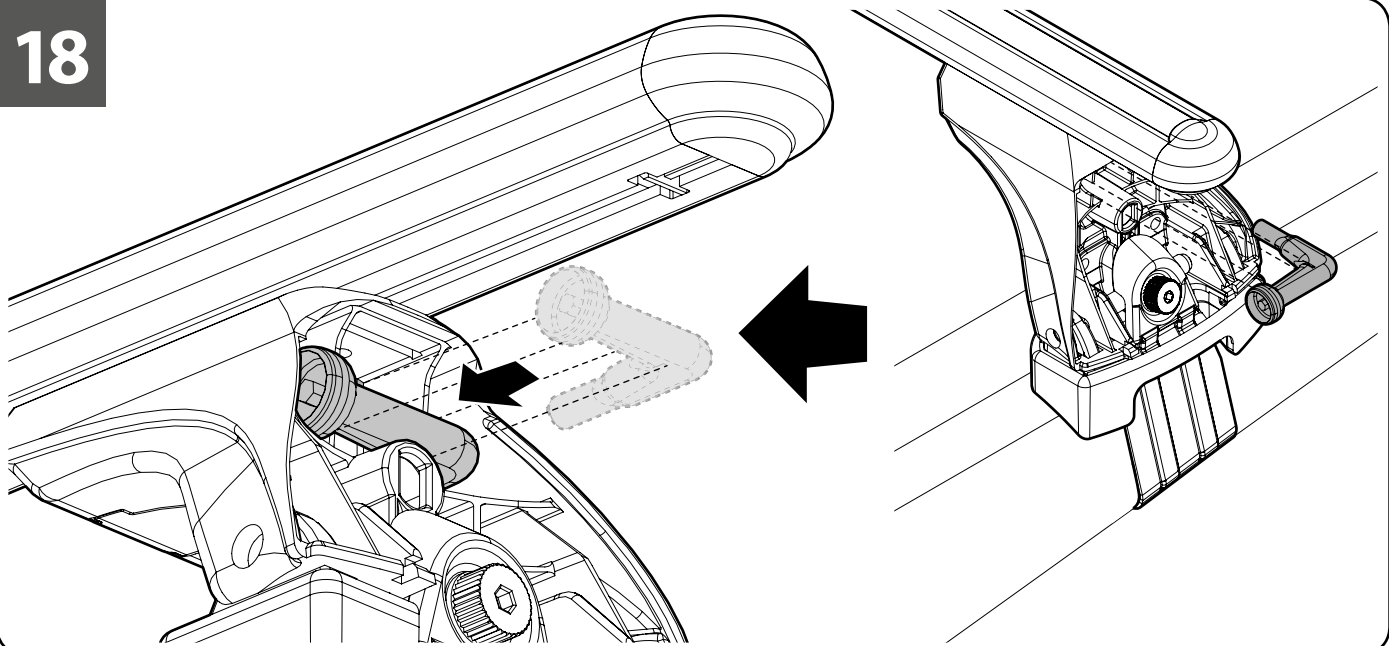
16



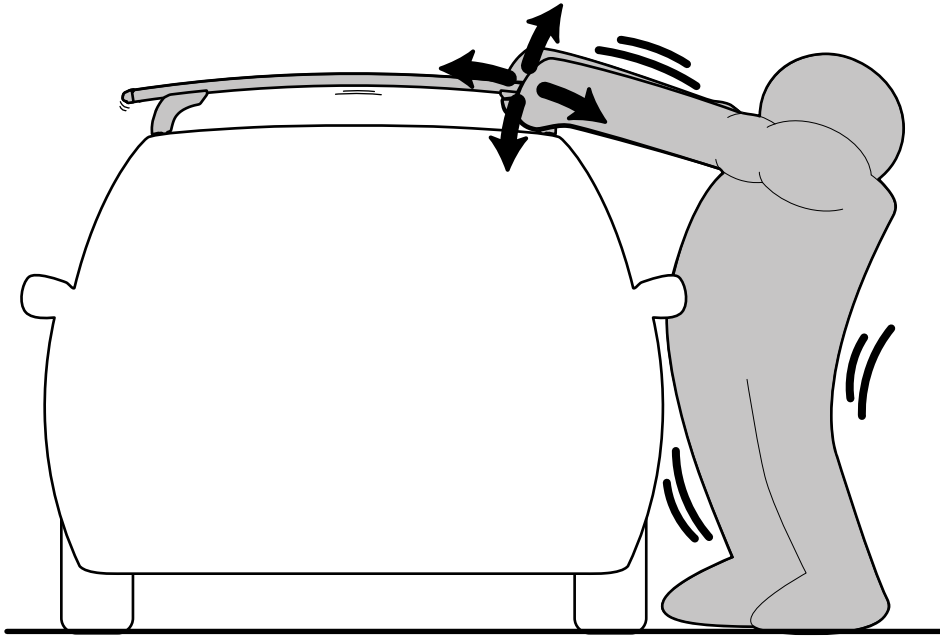
17



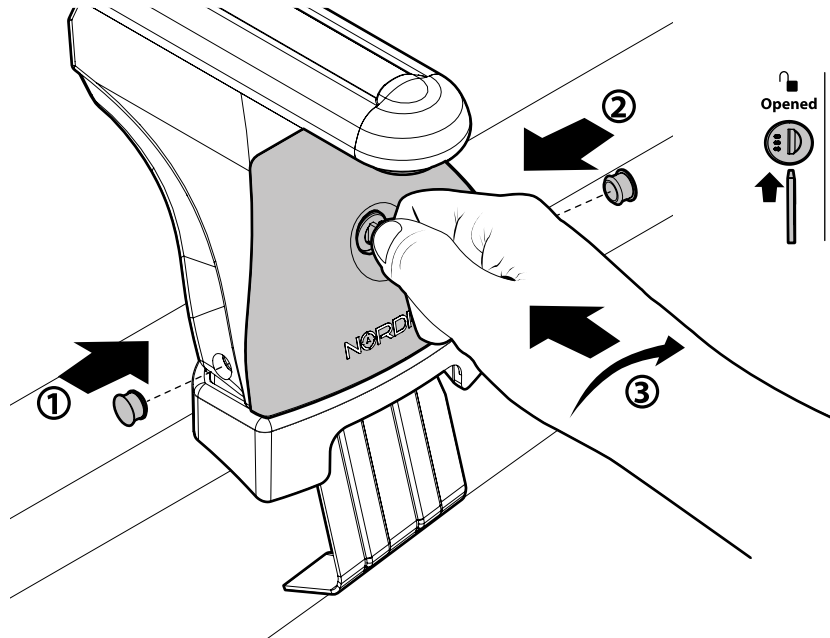
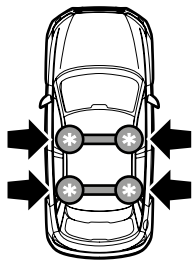
18



19



20



# EVOS

**NORDRIVE**<sup>®</sup>  
TRANSPORT SOLUTIONS

is a registered trade mark of

**LAMPA S.p.A.**

Via G. Rossa 53/55, 46019 Viadana (MN) ITALY

Tel. +39 0375 820700

UNI EN ISO 9001:2015 Certified Company

[www.nordrive.it](http://www.nordrive.it)

[www.lampa.it](http://www.lampa.it)