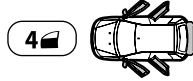


# EVOS

## NORDRIVE

TRANSPORT SOLUTIONS

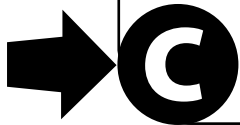
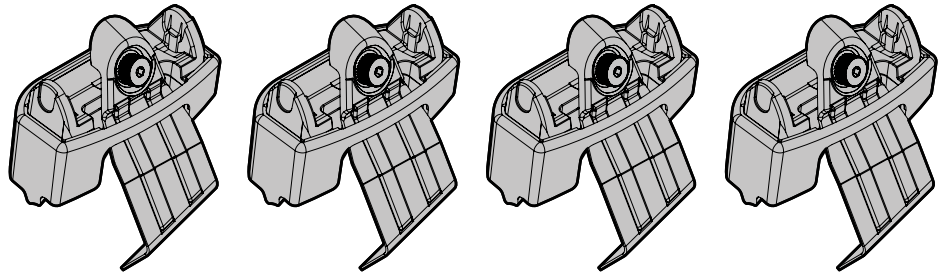
OPEL  
INSIGNIA



02/09 → 04/17

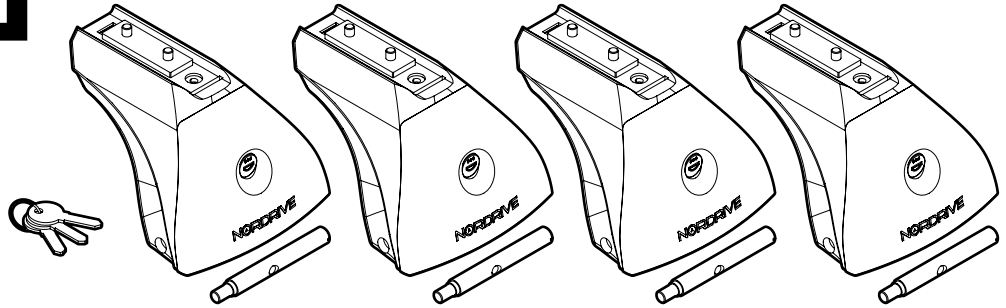


Art. N21123



+

Art. N20001



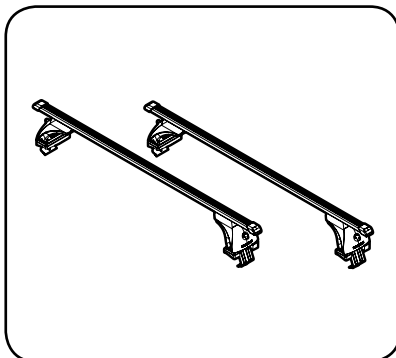
B

+

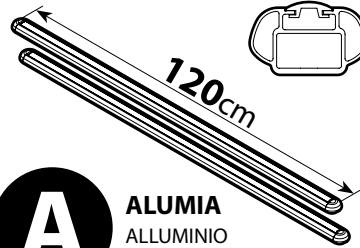
Art. N15020 **M**



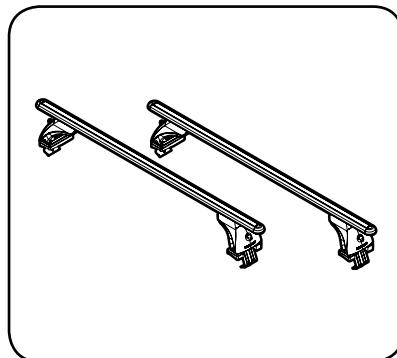
=



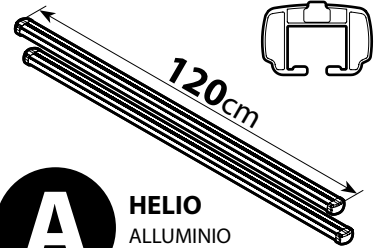
Art. N15025 **M**



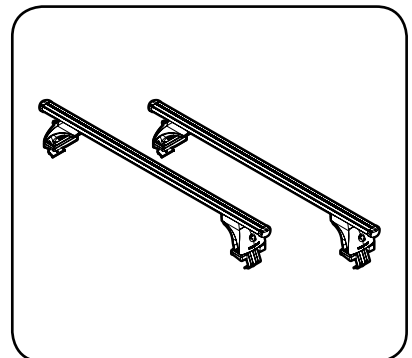
=

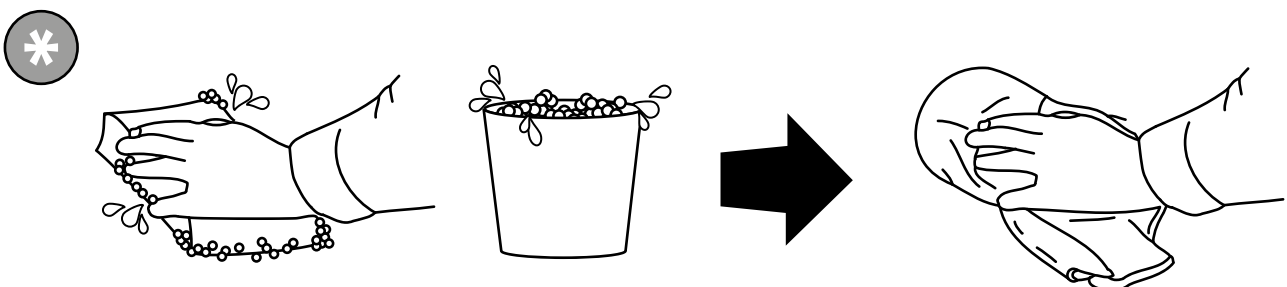
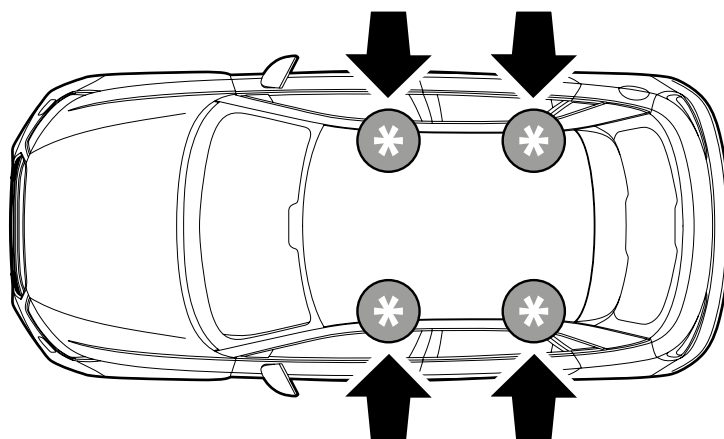
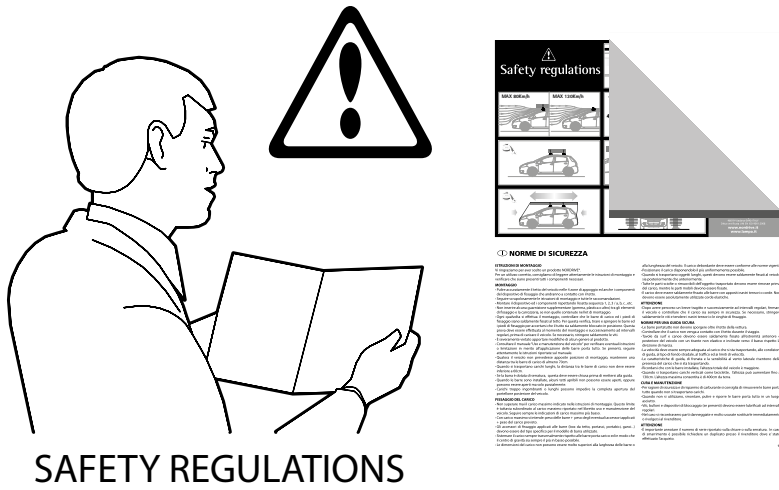
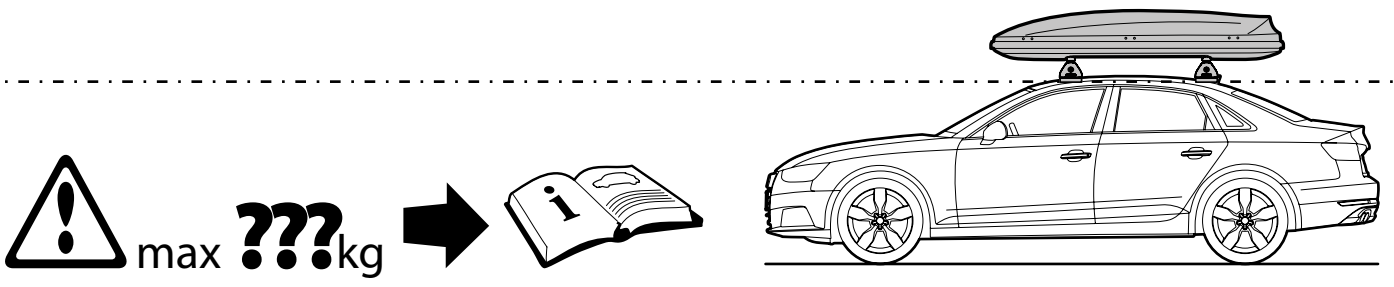
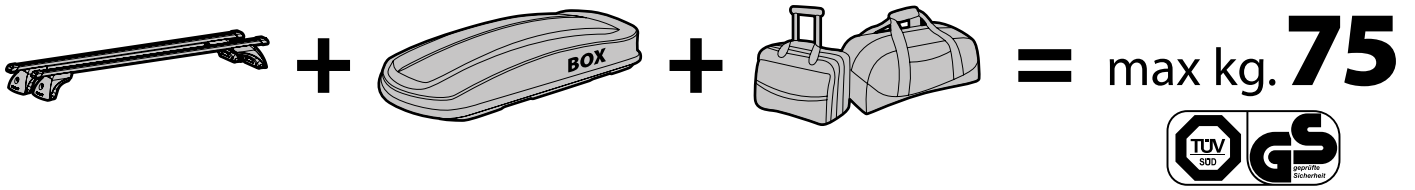


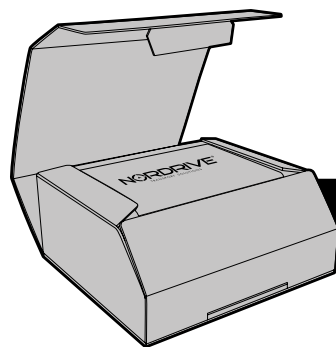
Art. N15075 **M**



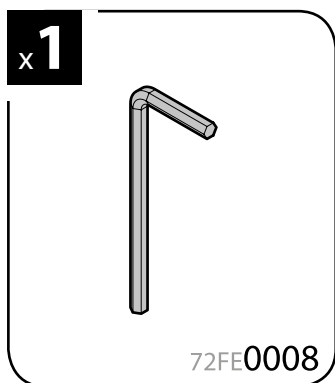
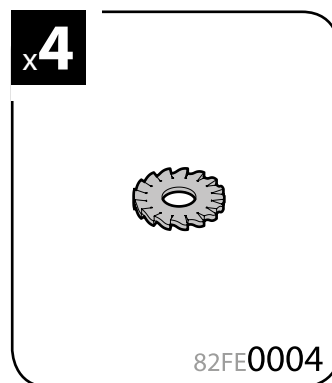
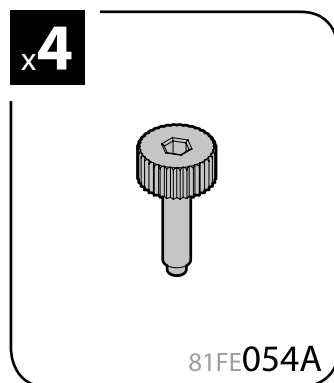
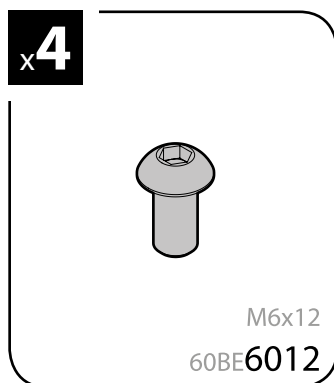
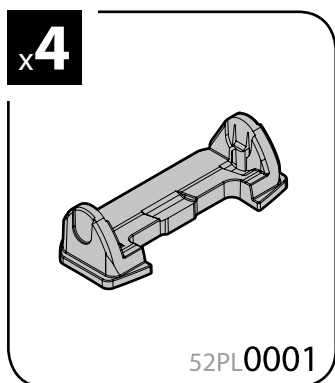
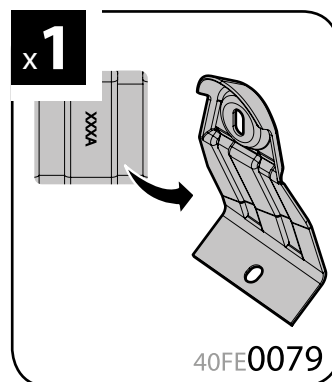
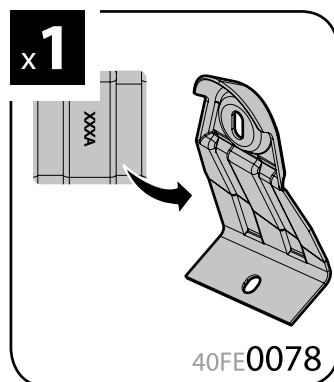
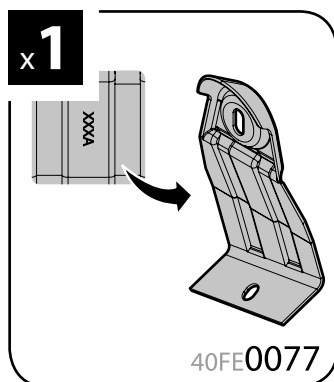
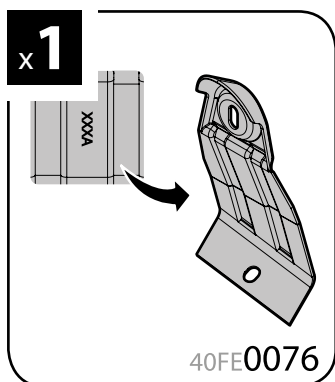
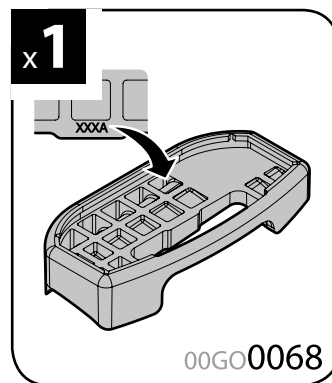
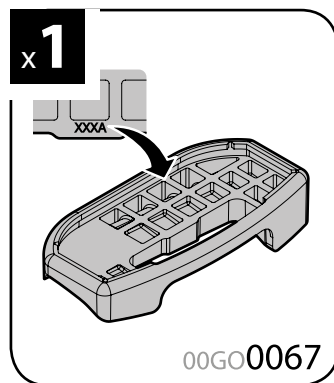
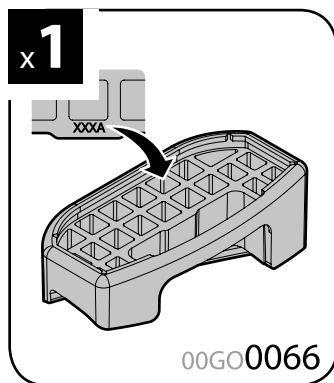
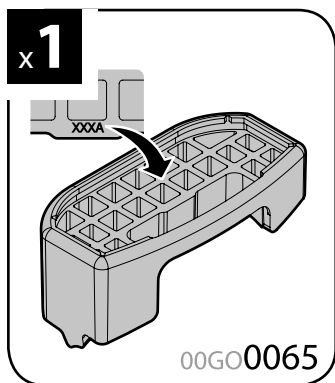
=

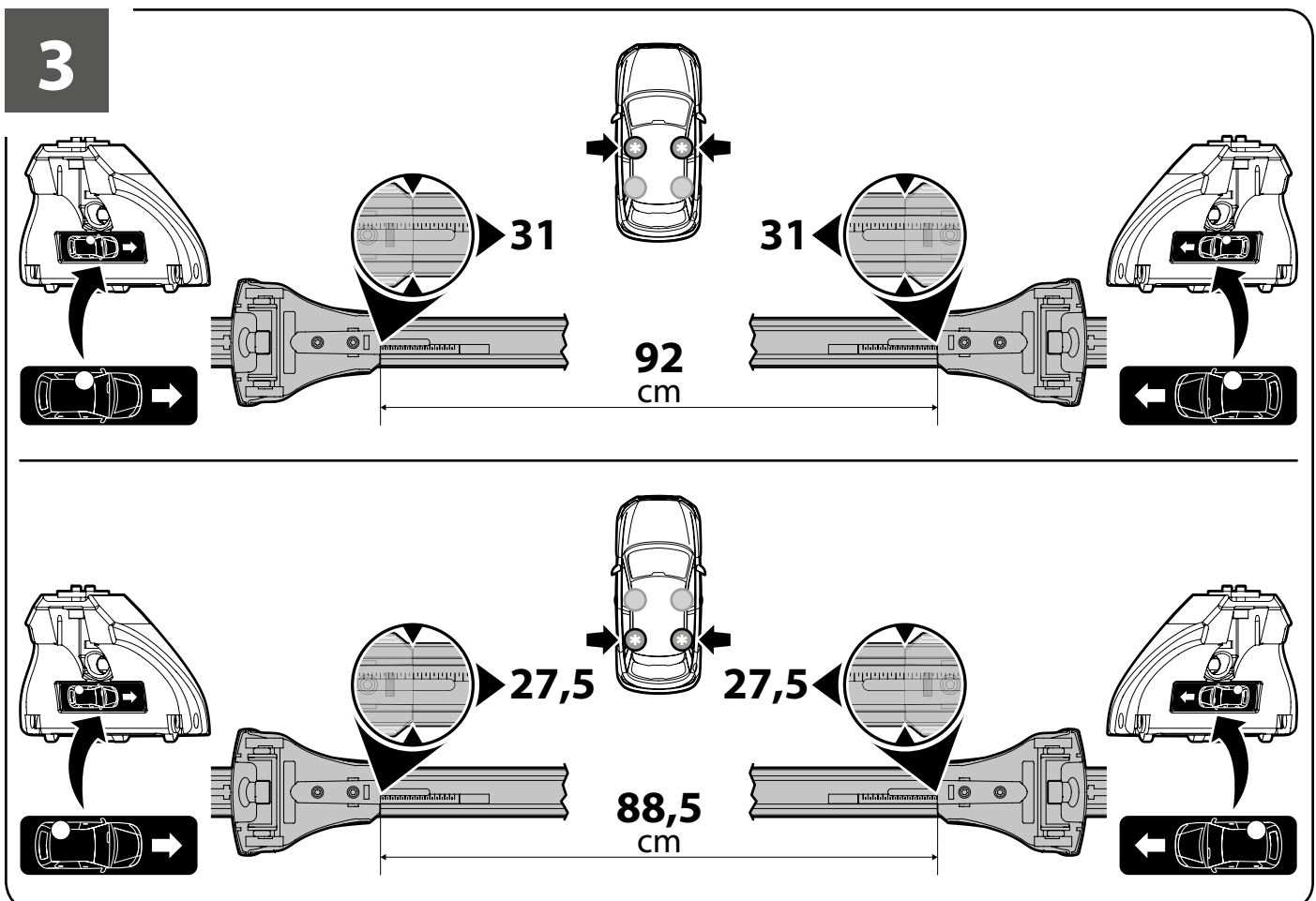
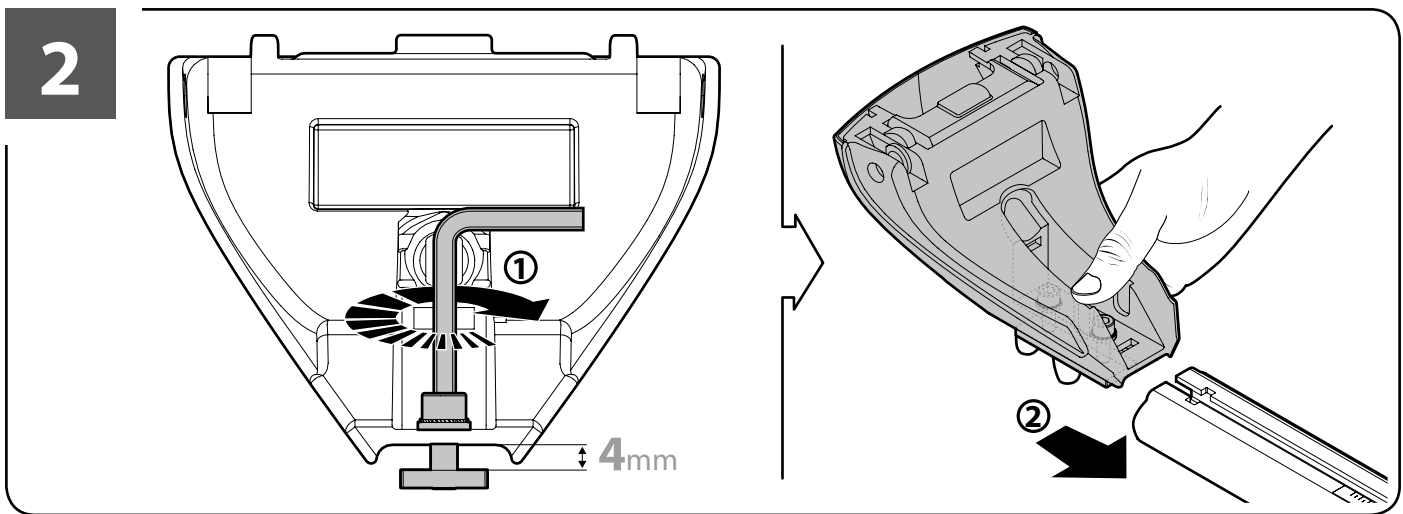
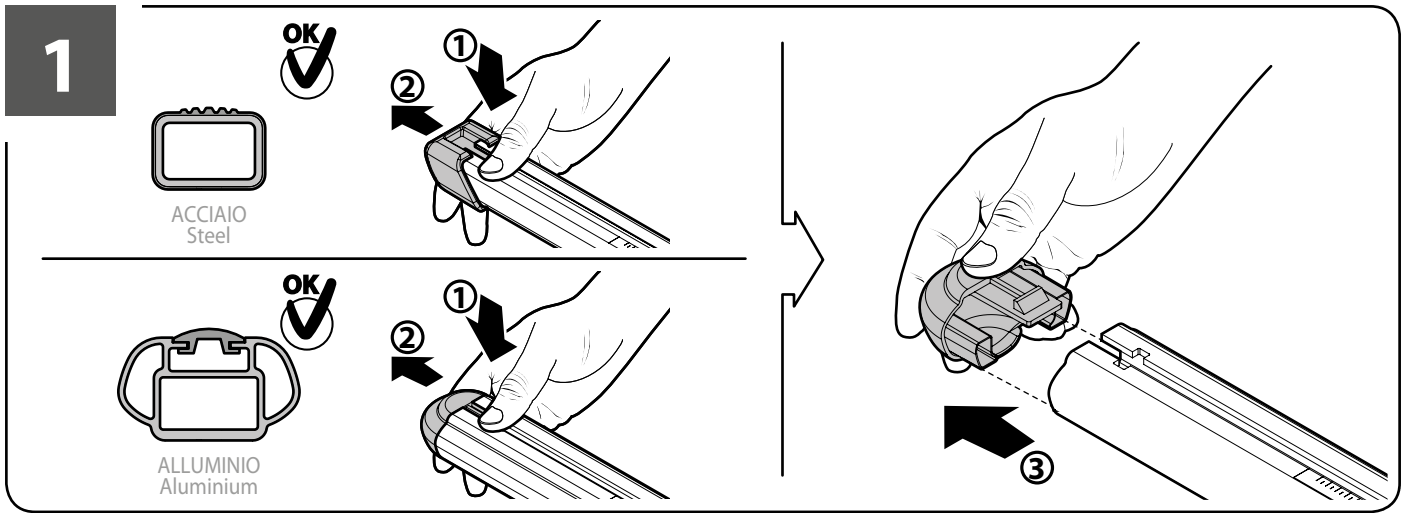




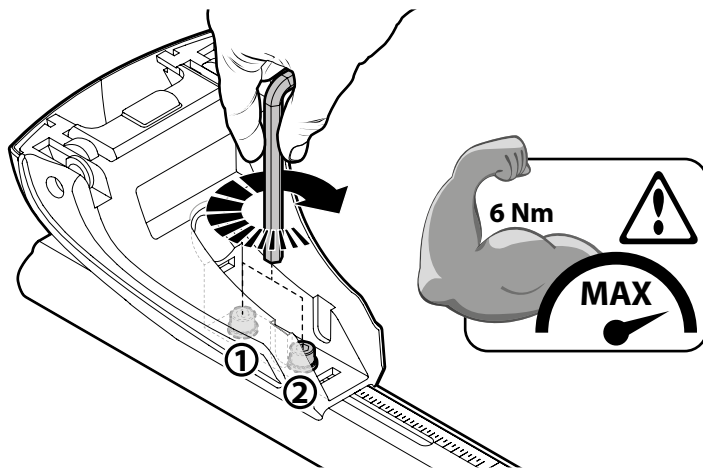


Art. **N21123**

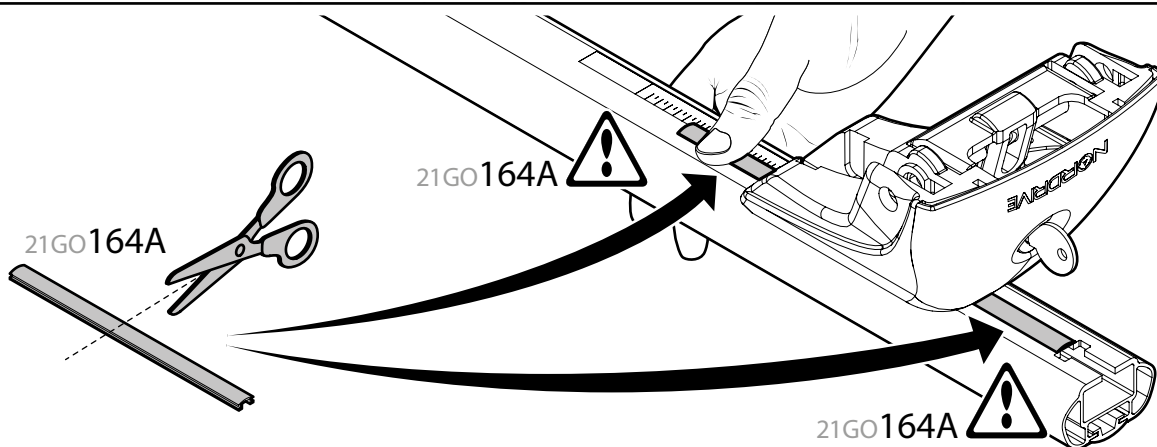




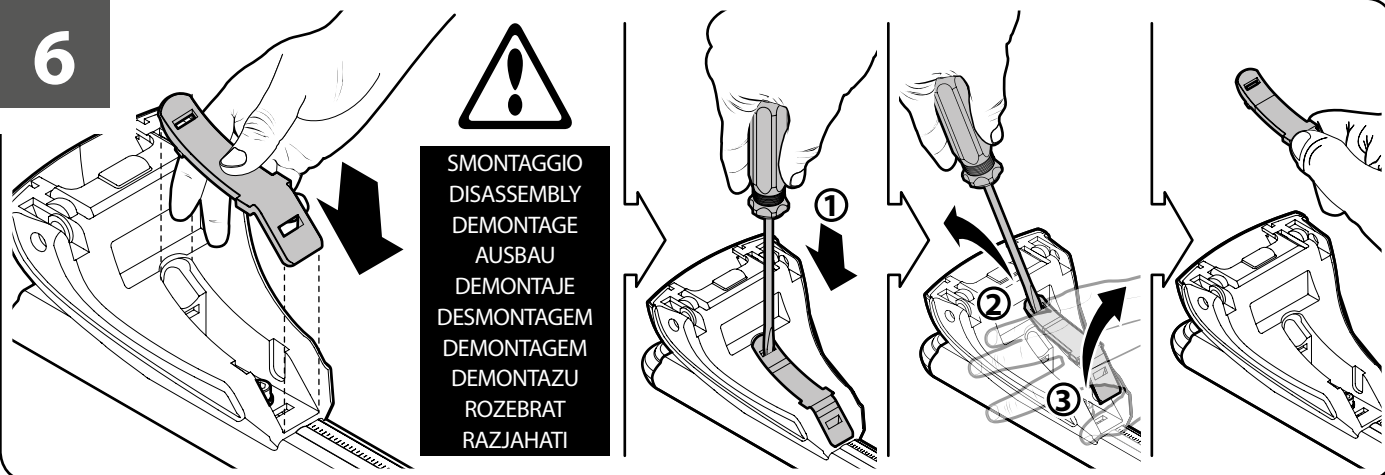
4



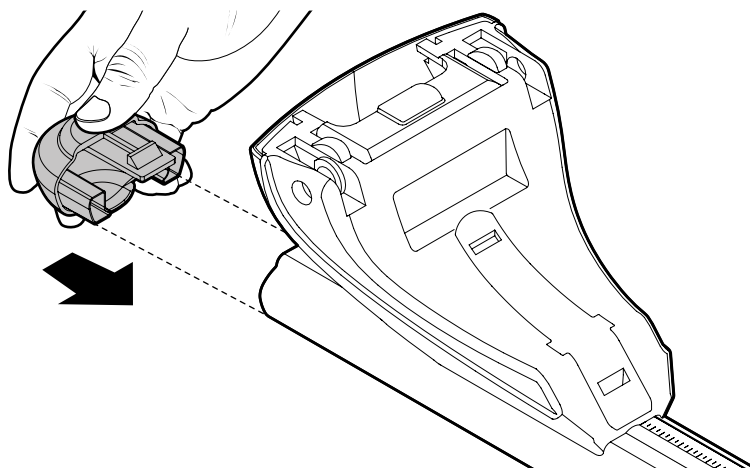
5



6

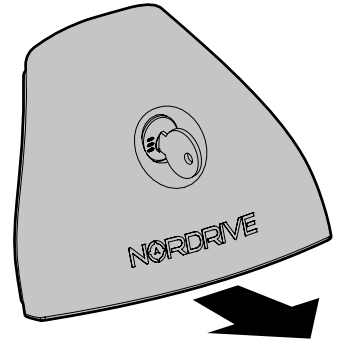
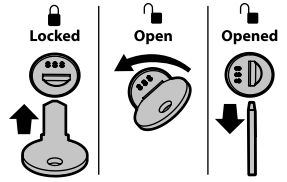
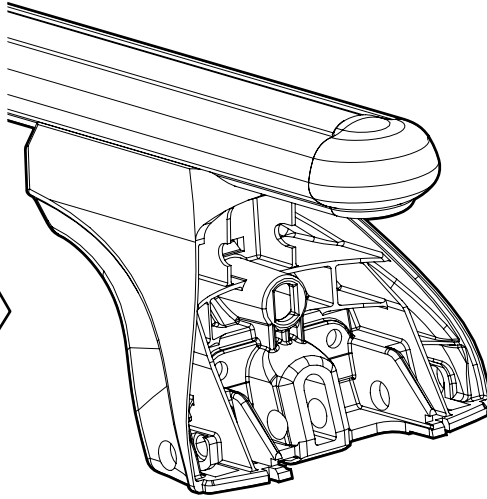
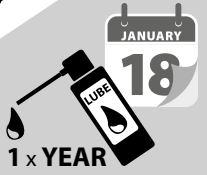


7

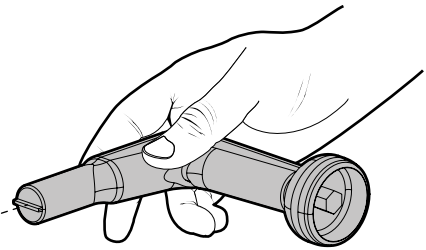
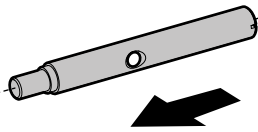
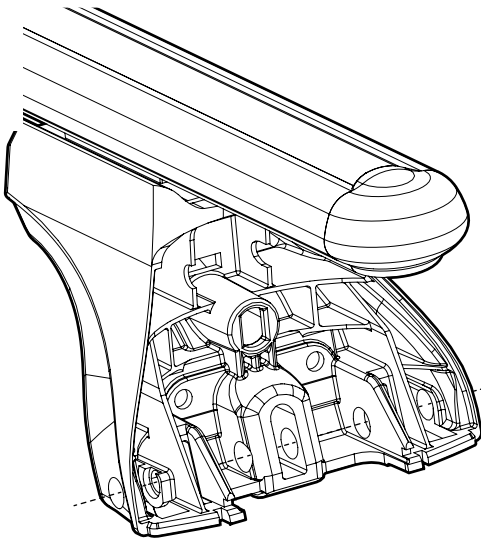


8

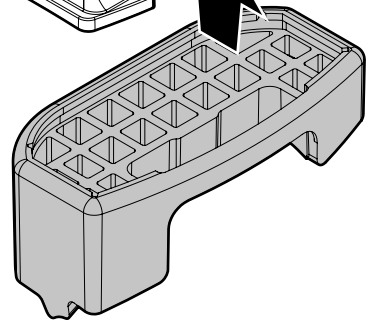
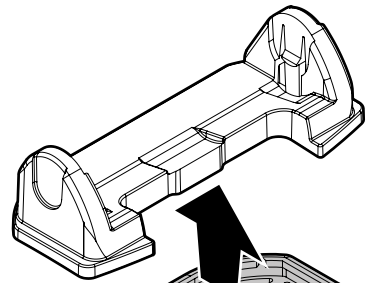
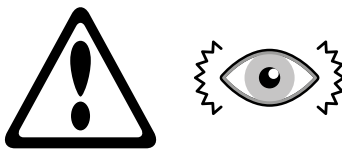
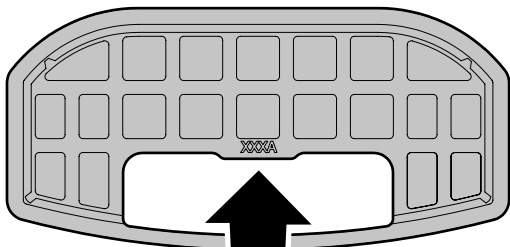
🔥 x1



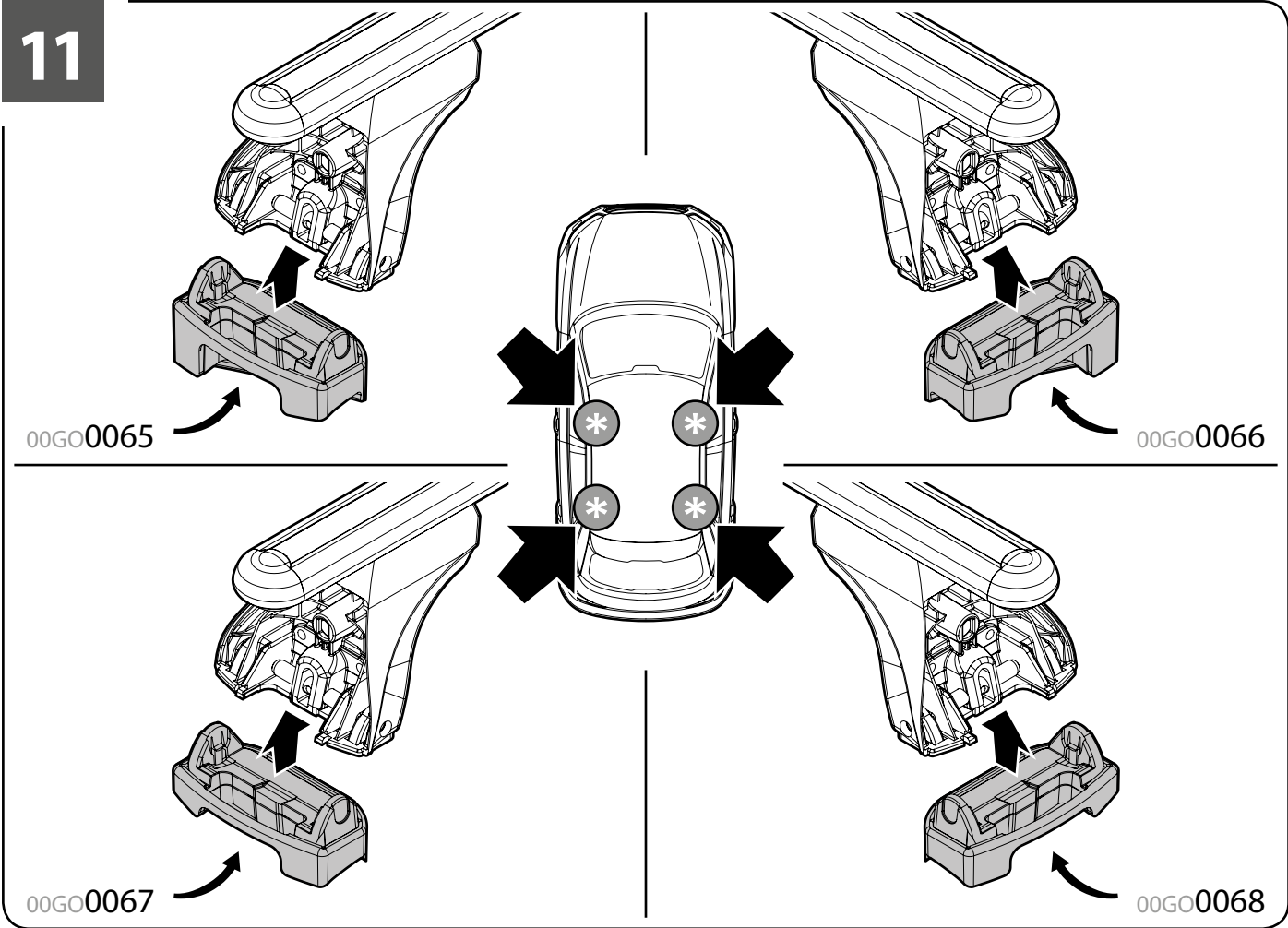
9



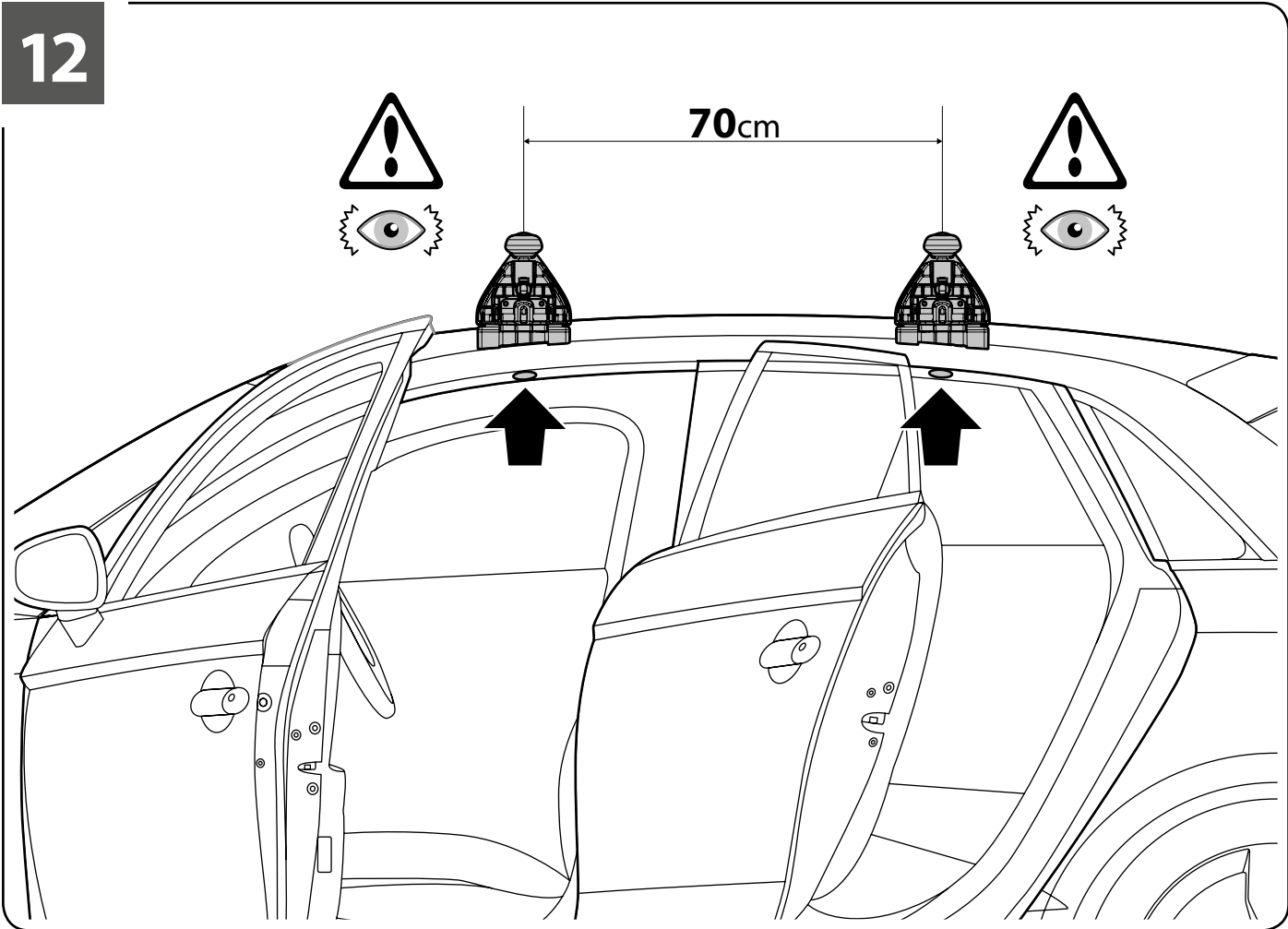
10



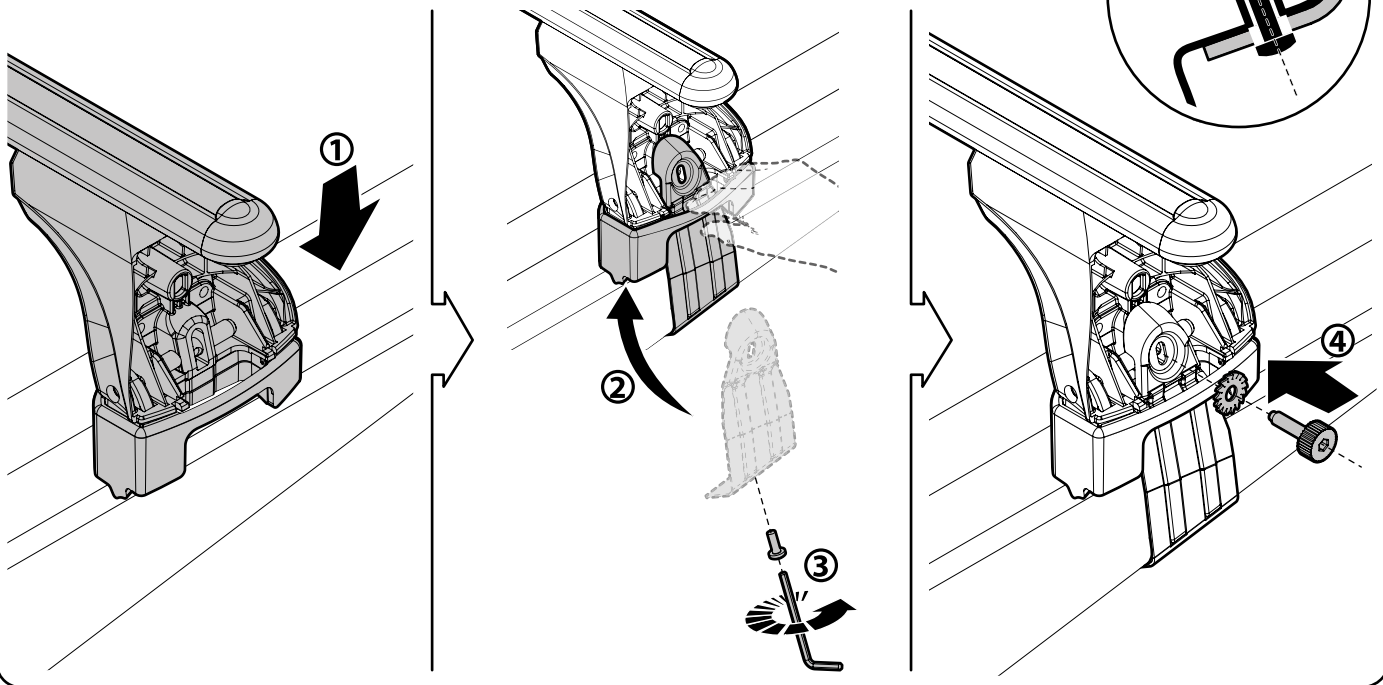
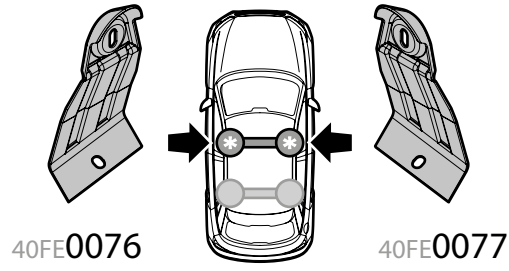
11



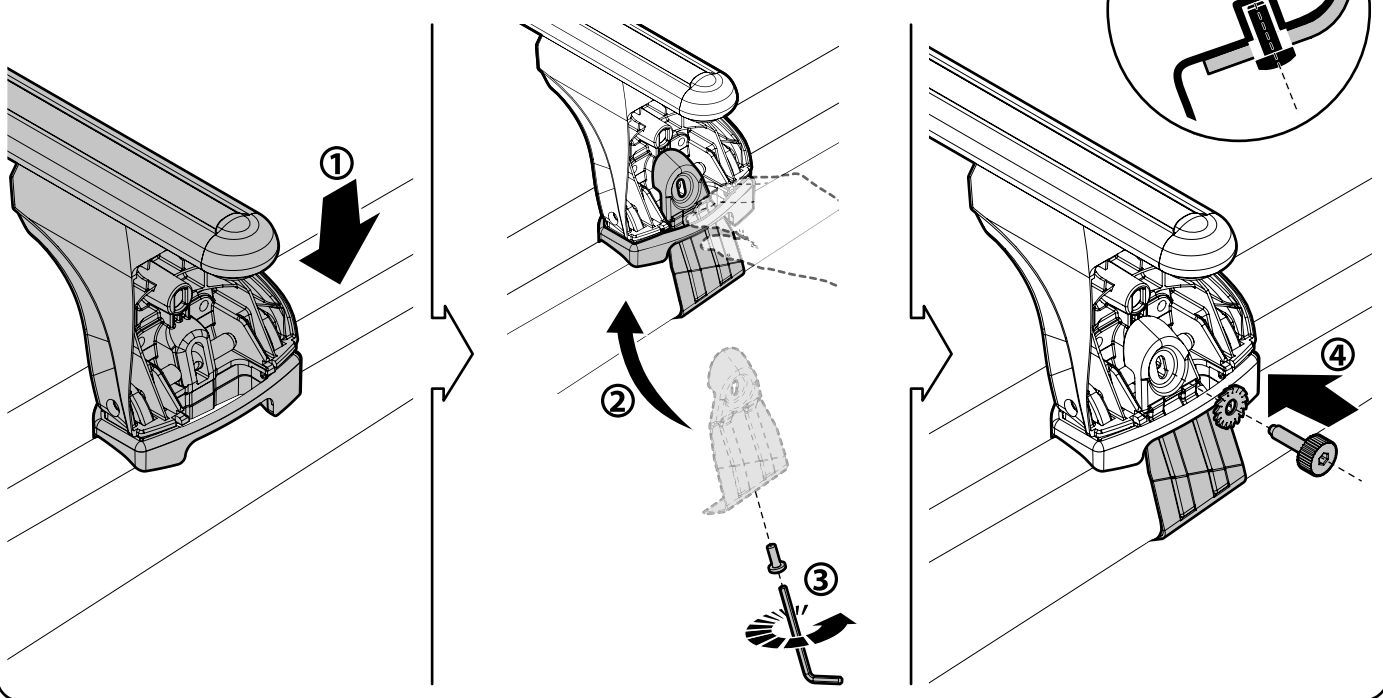
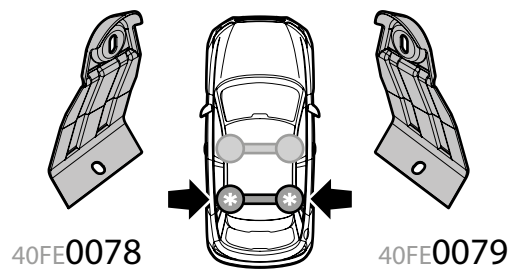
12



# 13

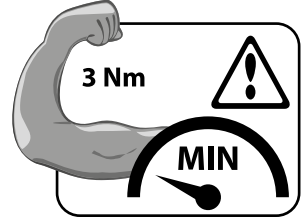
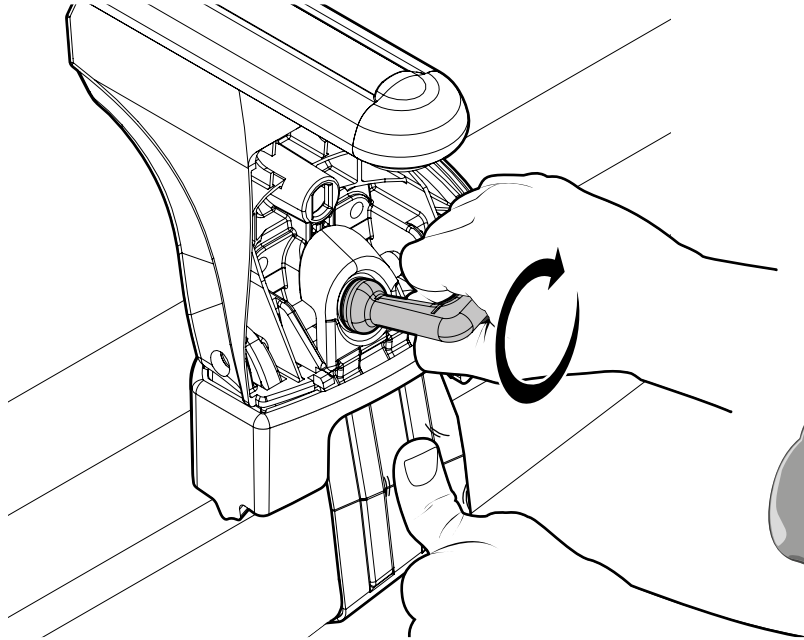
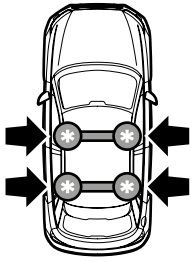


# 14

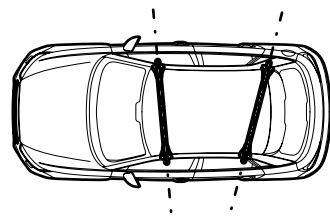
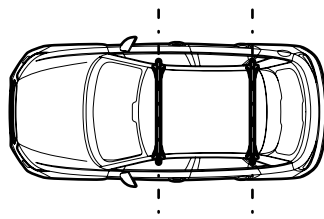
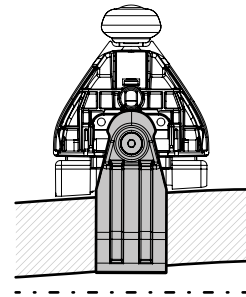
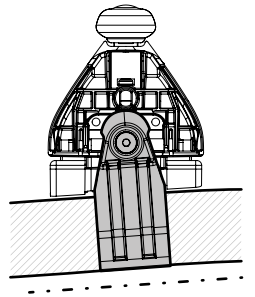




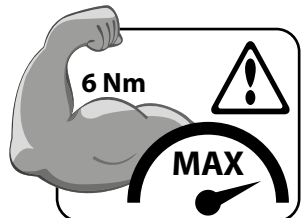
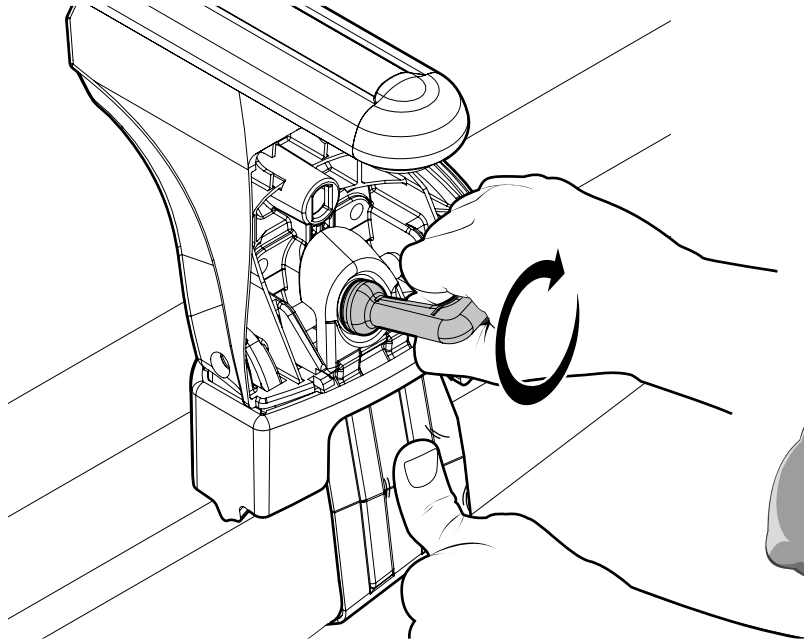
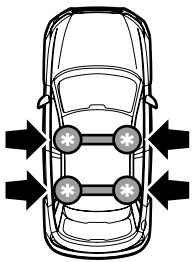
15



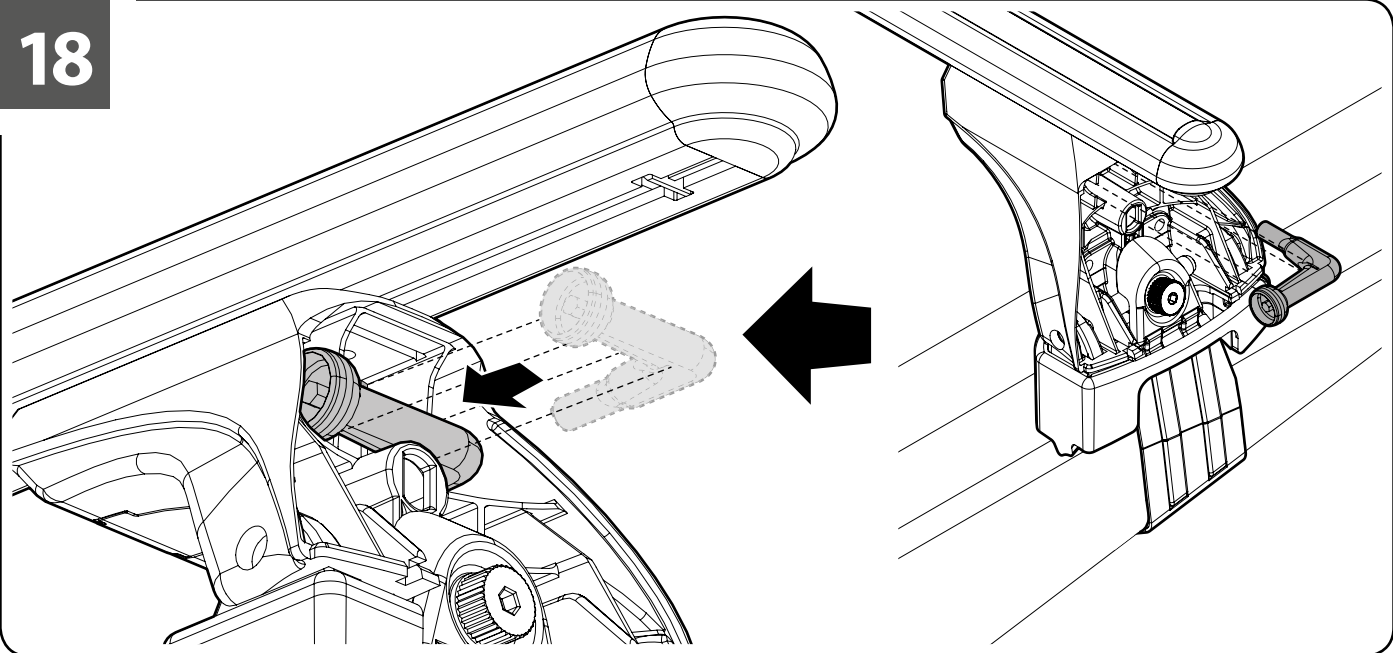
16



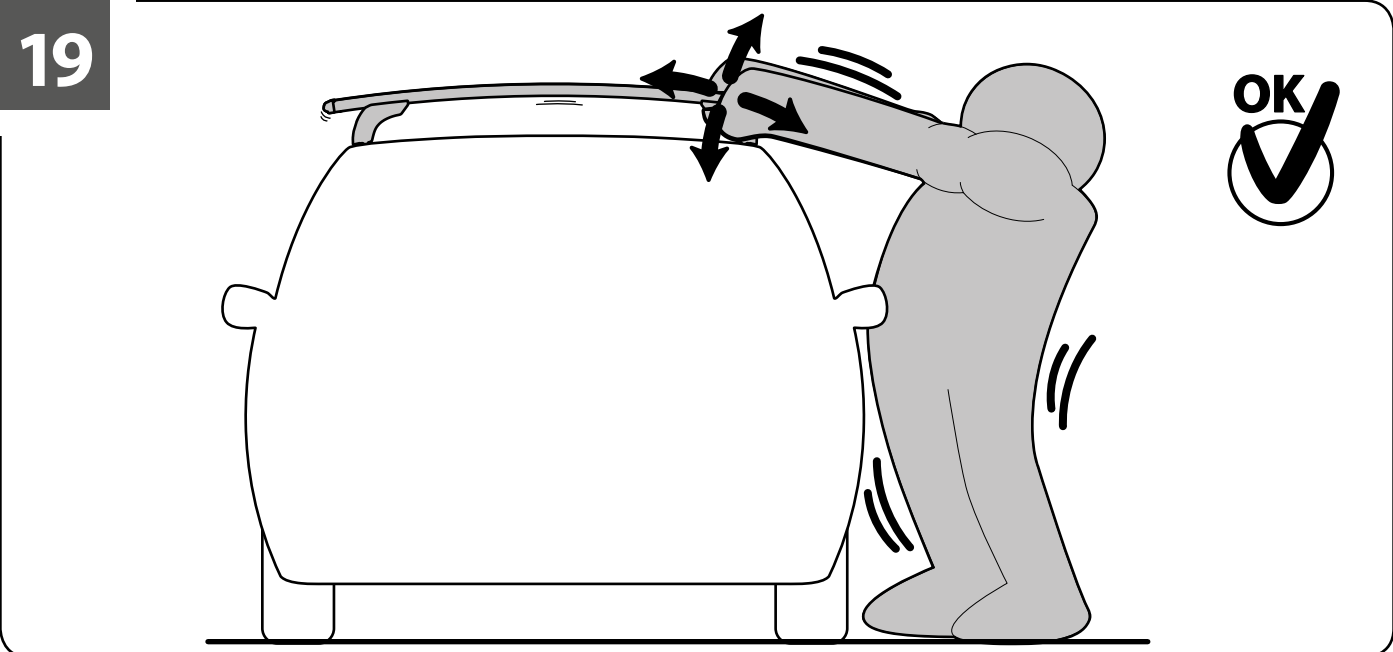
17



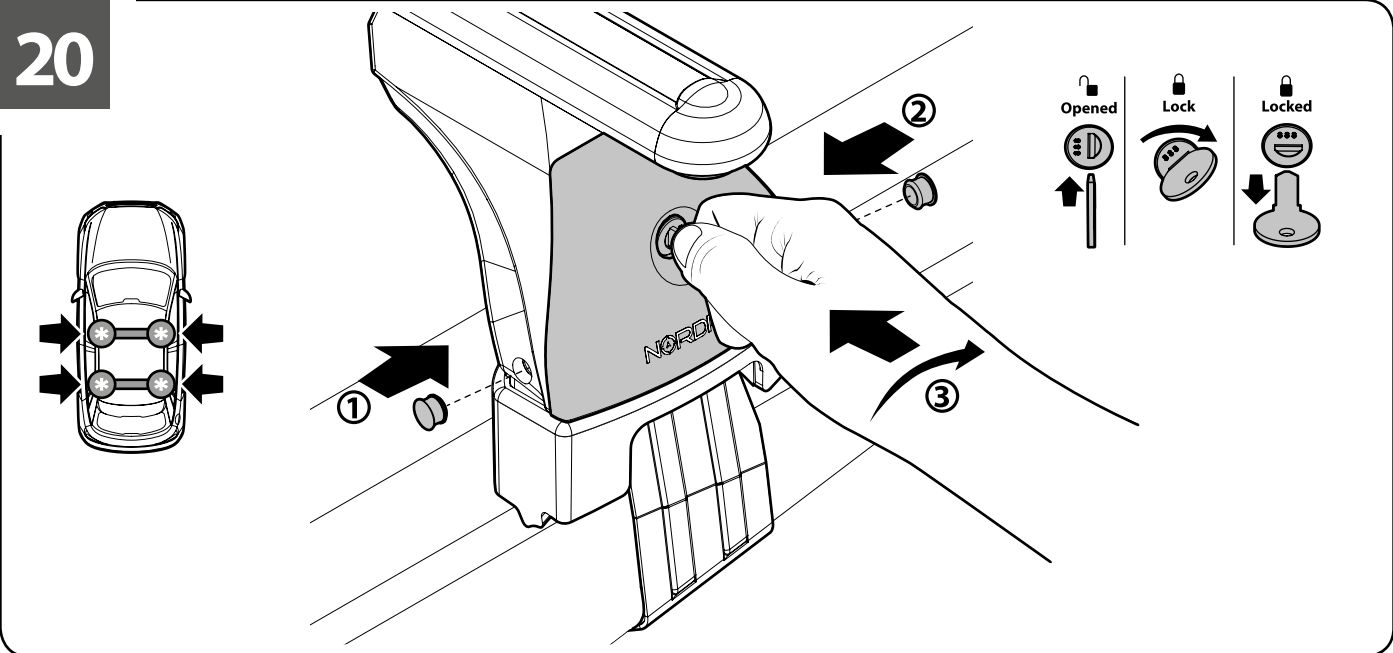
18



19



20





# EVOS

**NORDRIVE**<sup>®</sup>  
TRANSPORT SOLUTIONS

is a registered trade mark of

**LAMPA S.p.A.**

Via G. Rossa 53/55, 46019 Viadana (MN) ITALY

Tel. +39 0375 820700

UNI EN ISO 9001:2015 Certified Company

[www.nordrive.it](http://www.nordrive.it)

[www.lampa.it](http://www.lampa.it)