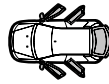


EVOS

NORDRIVE®

TRANSPORT SOLUTIONS

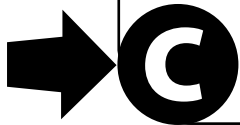
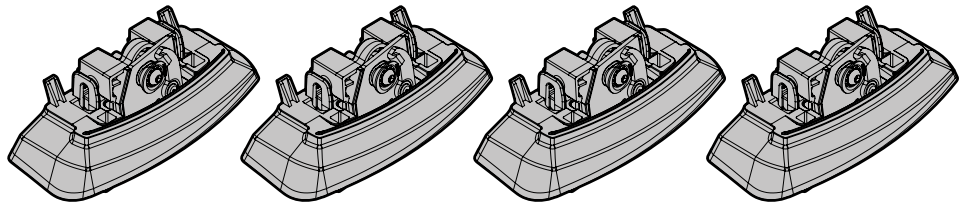
OPEL
ASTRA J



01/10 → 10/15

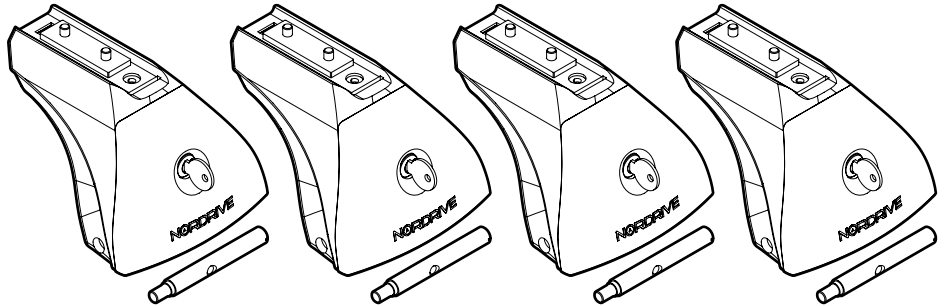


Art. N21134



+

Art. N20001

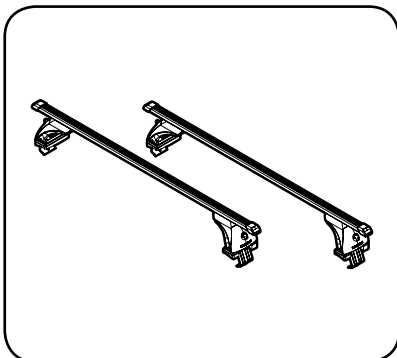


+

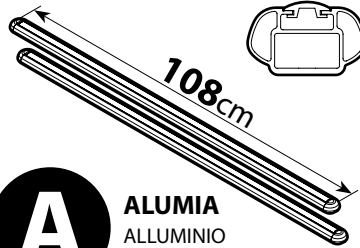
Art. N15019 **S**



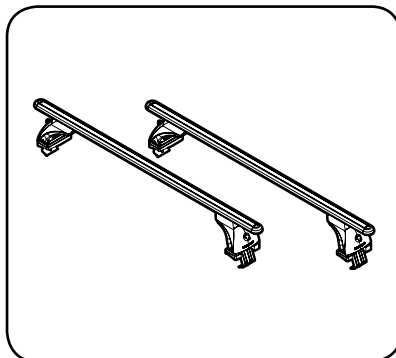
=



Art. N15024 **S**



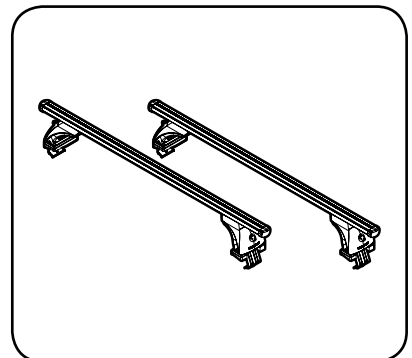
=

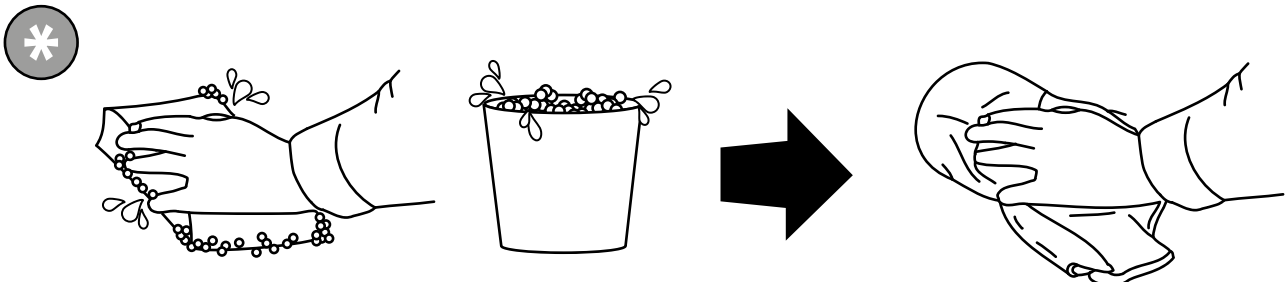
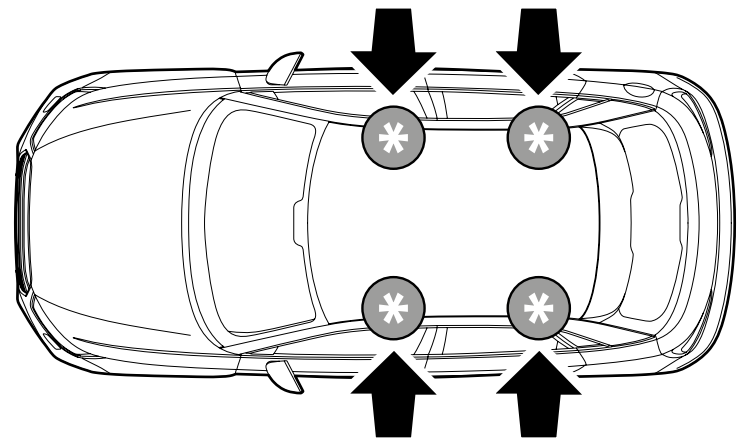
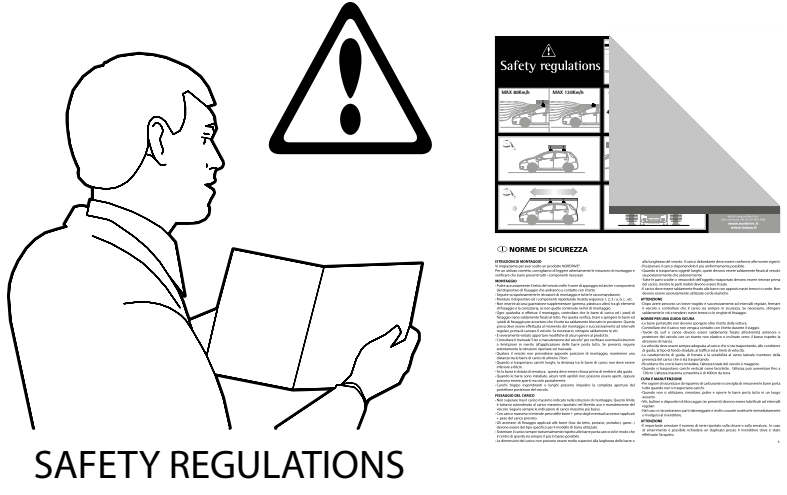
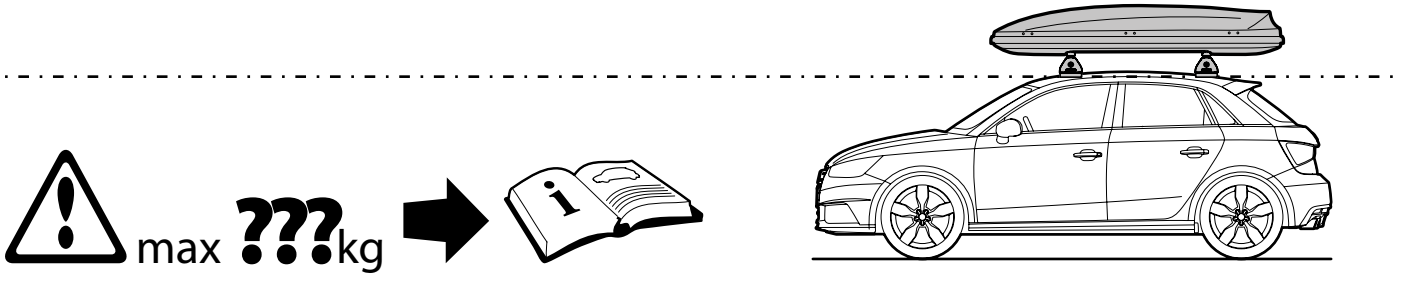
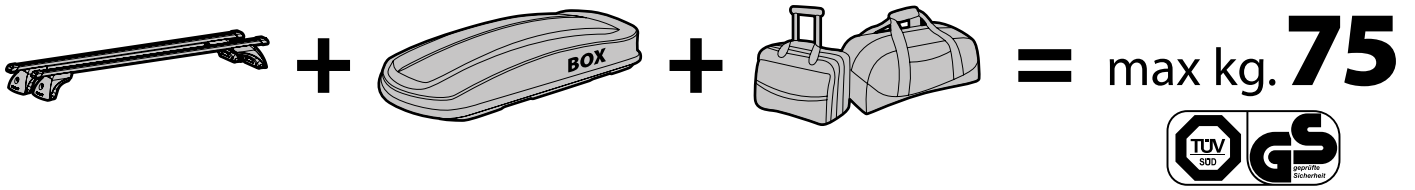


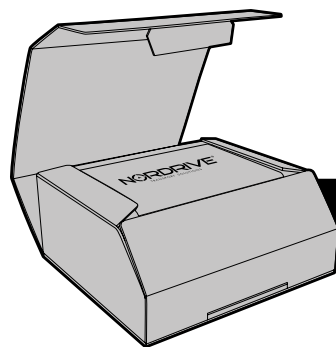
Art. N15074 **S**



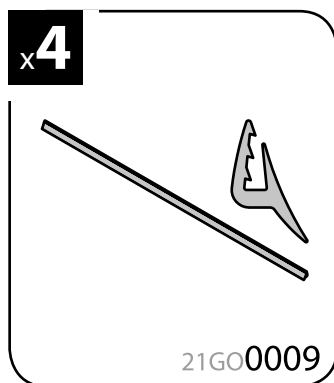
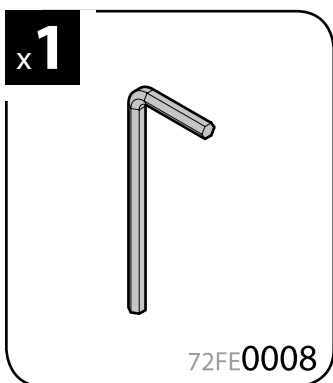
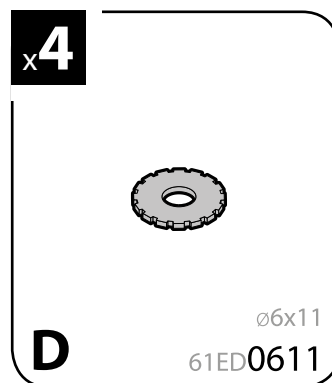
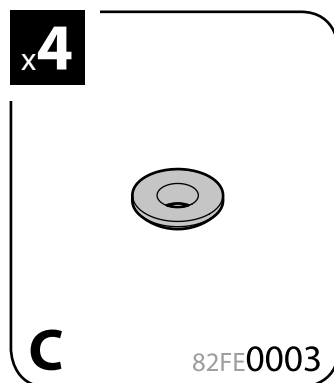
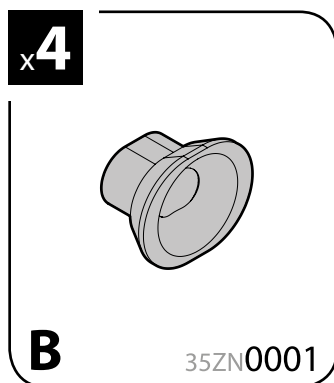
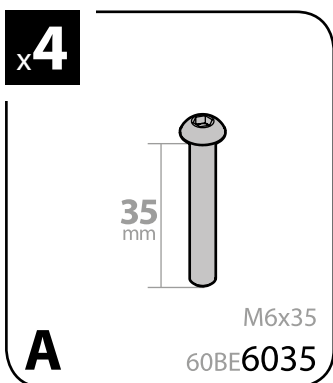
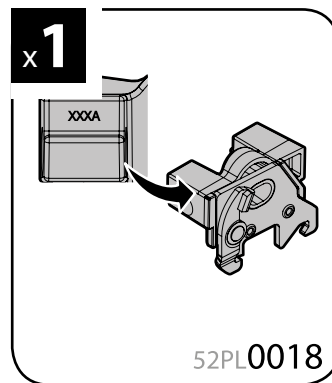
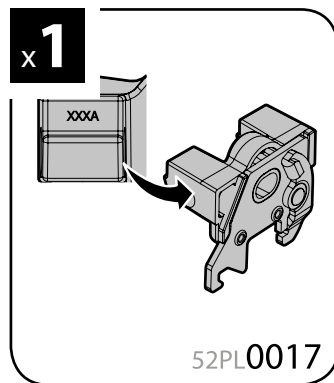
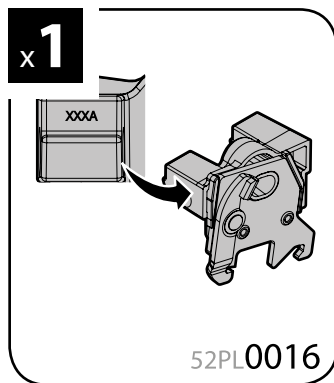
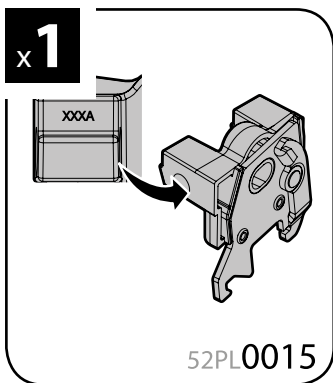
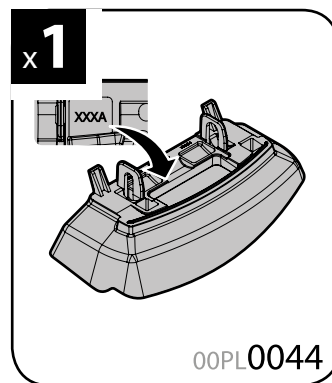
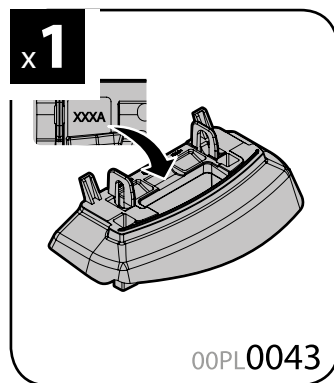
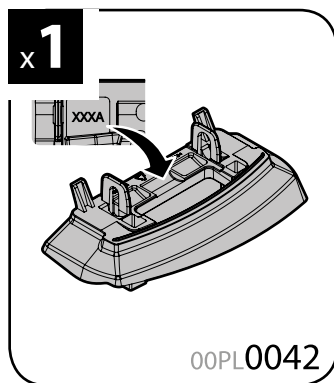
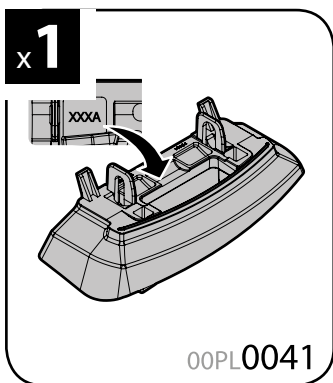
=

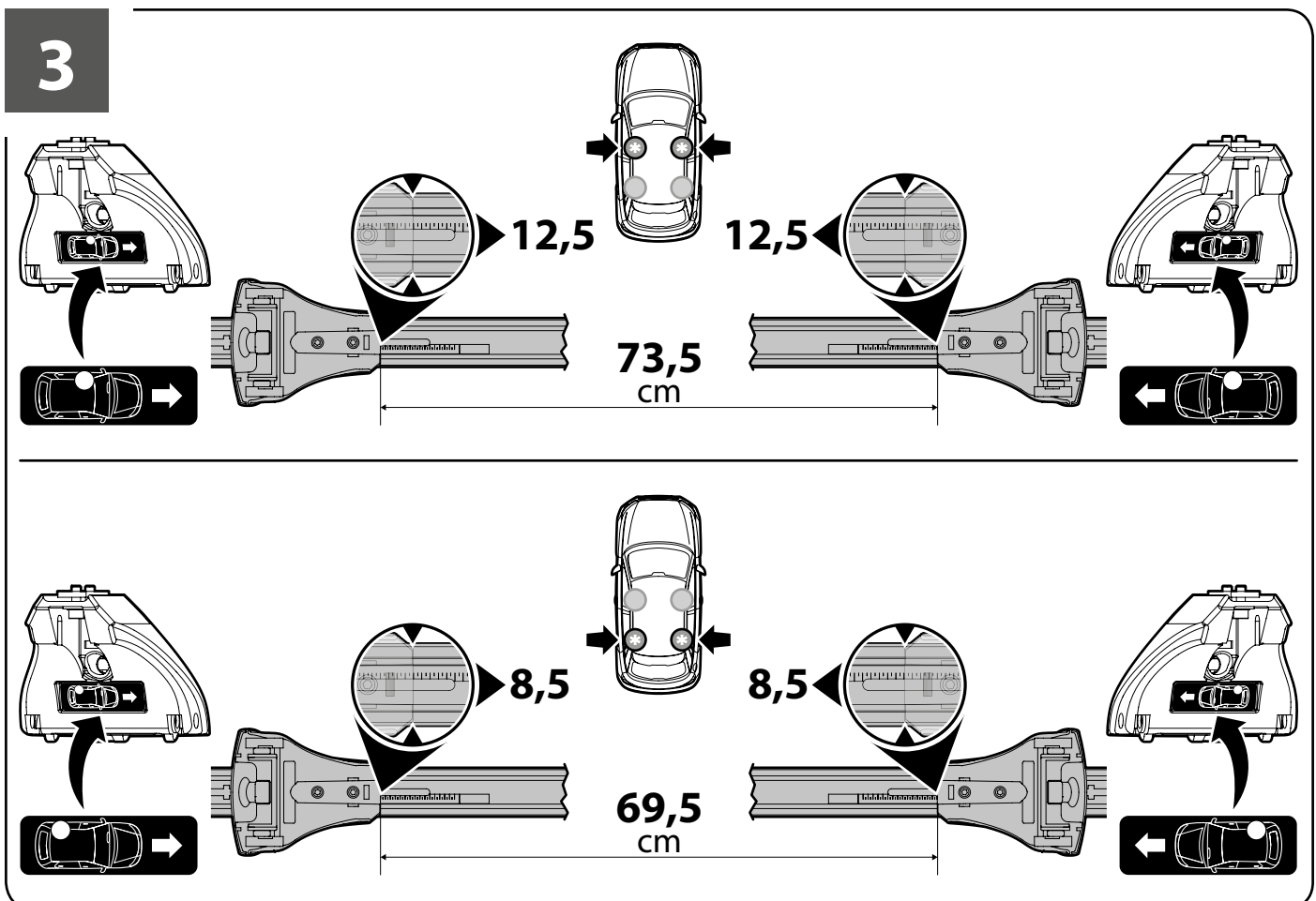
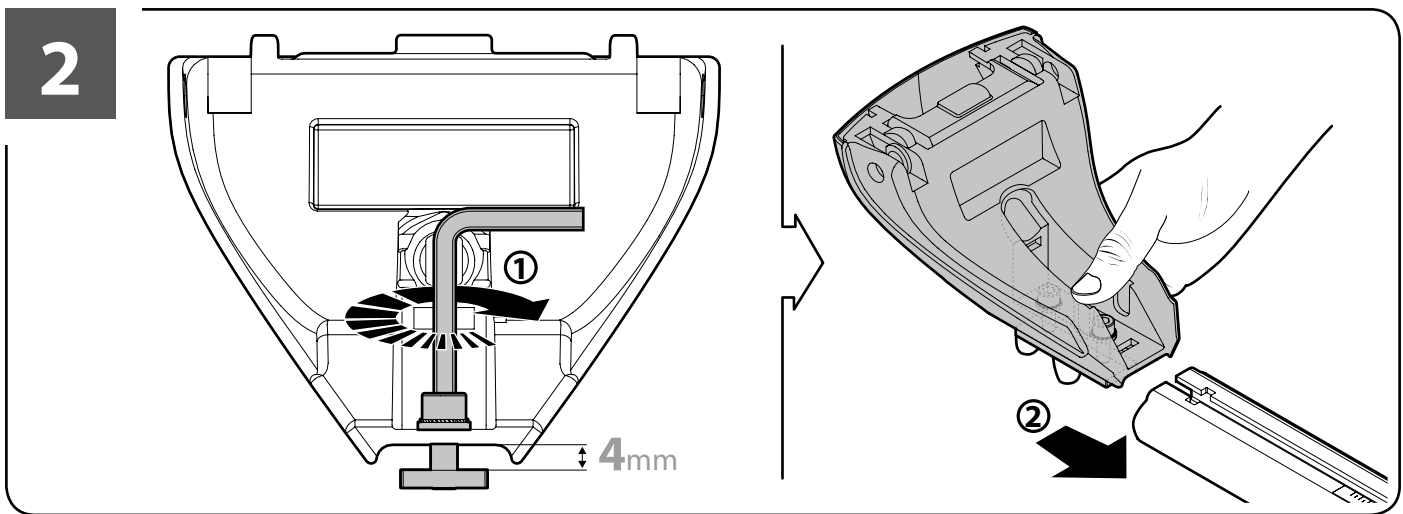
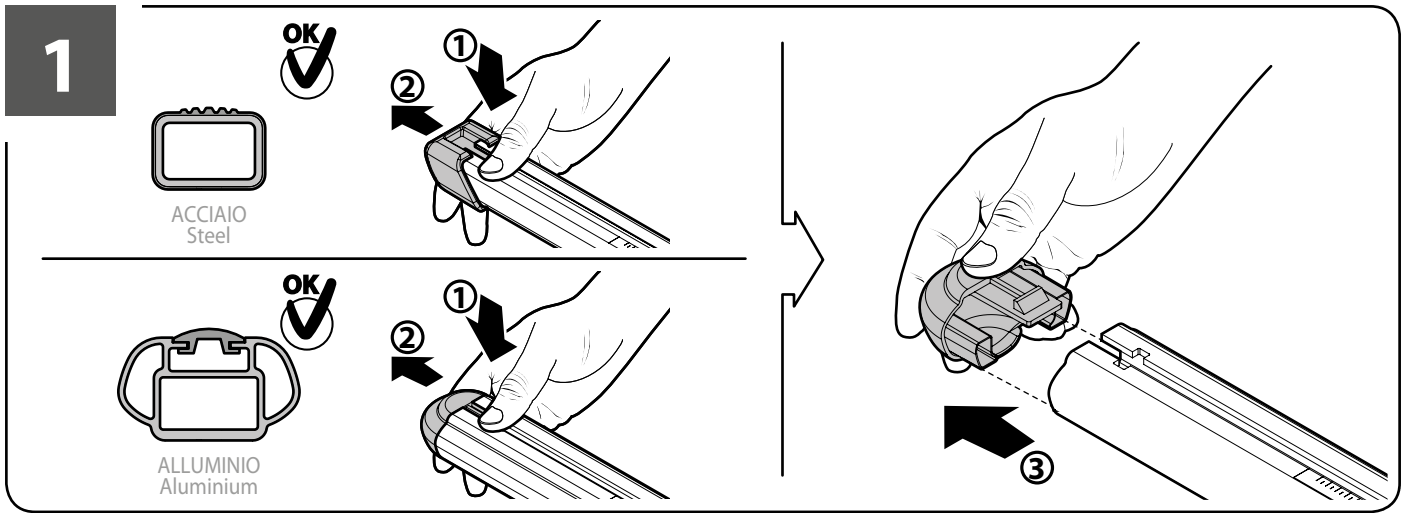


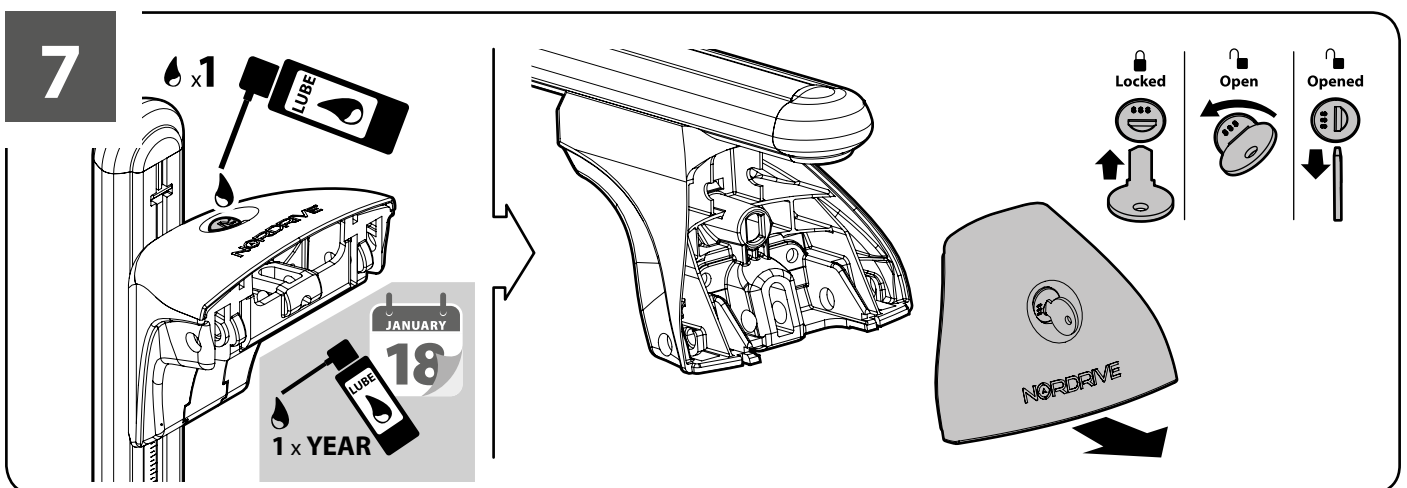
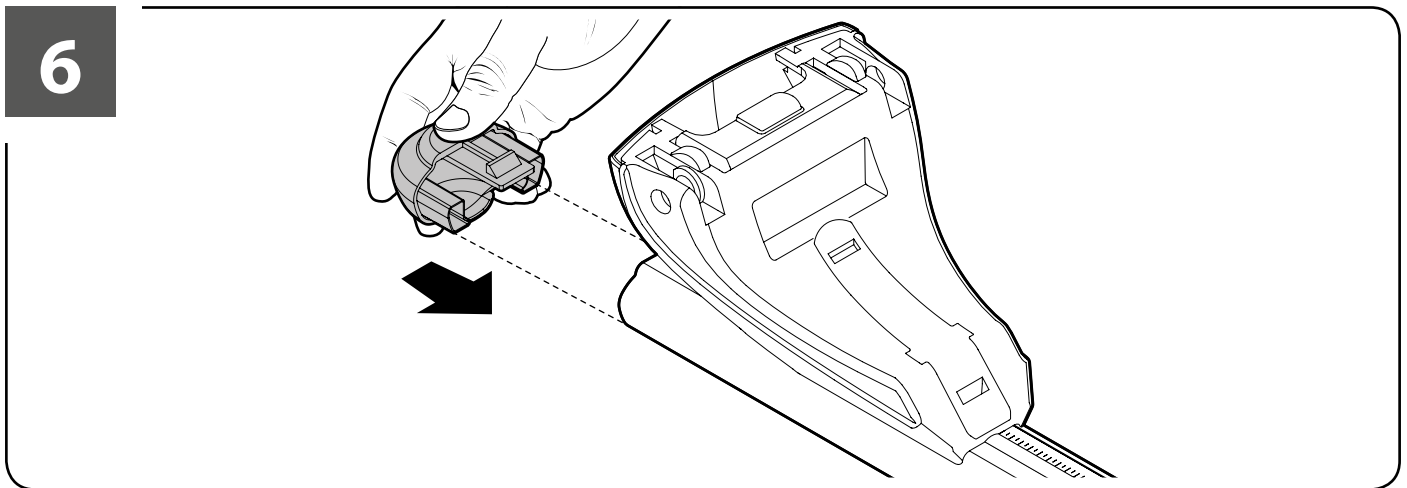
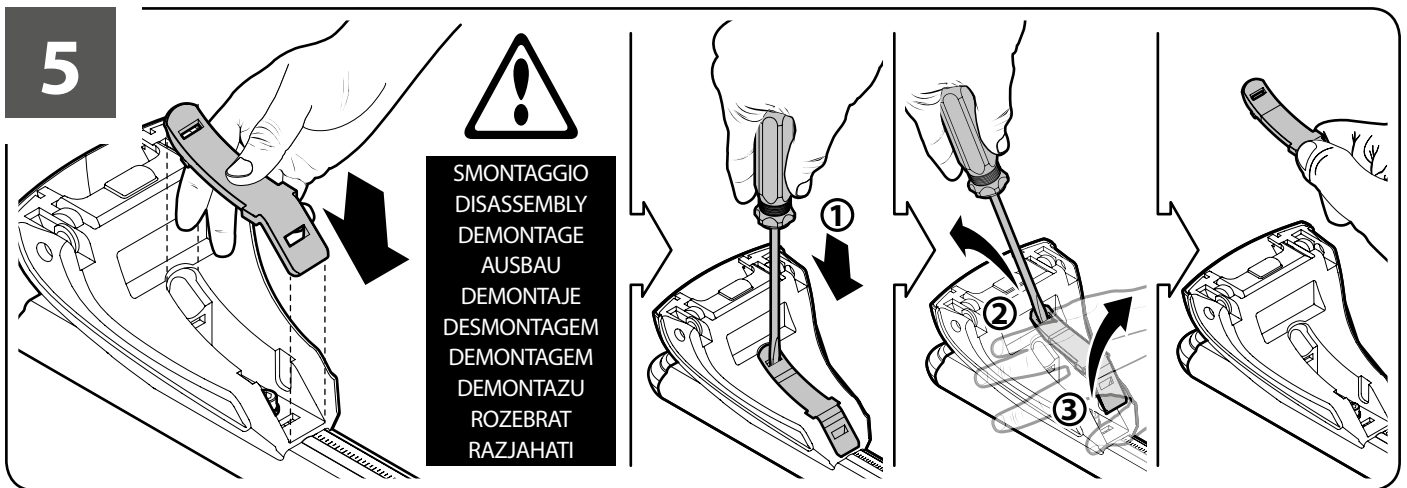
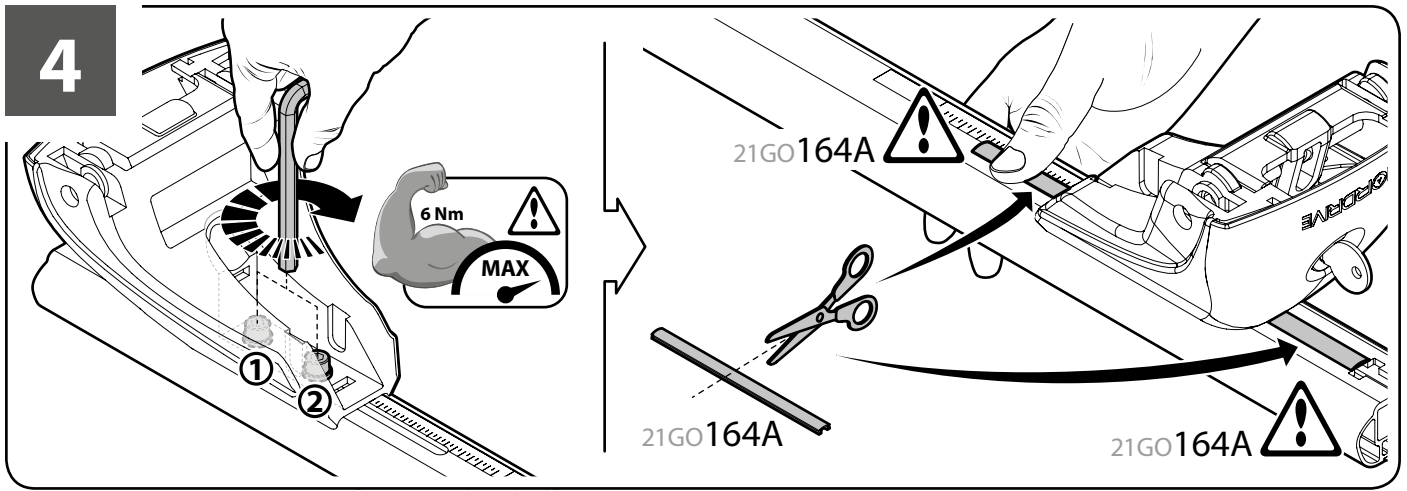




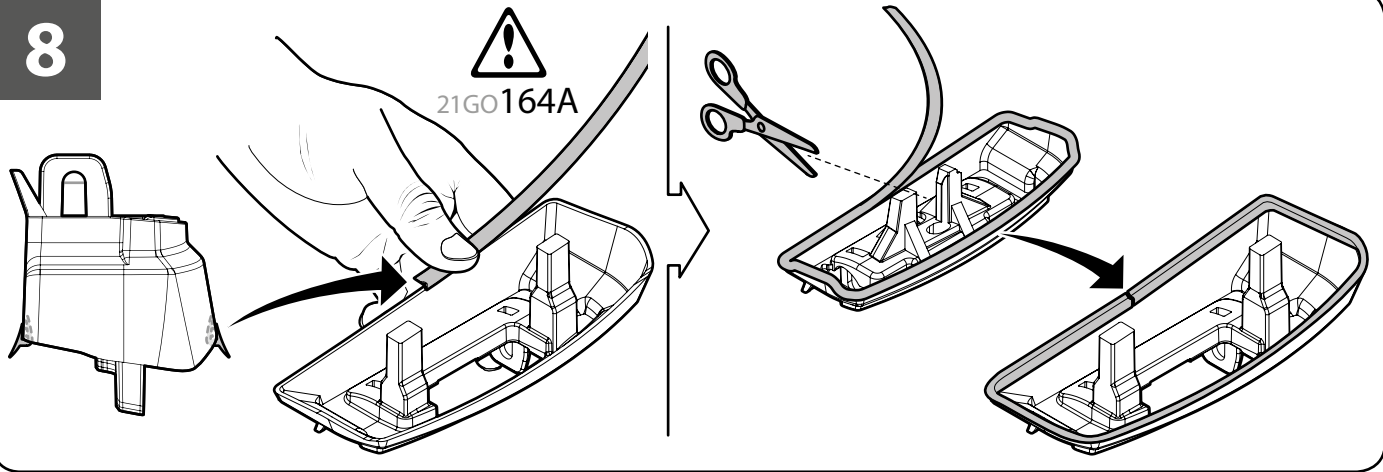
Art. **N21134**



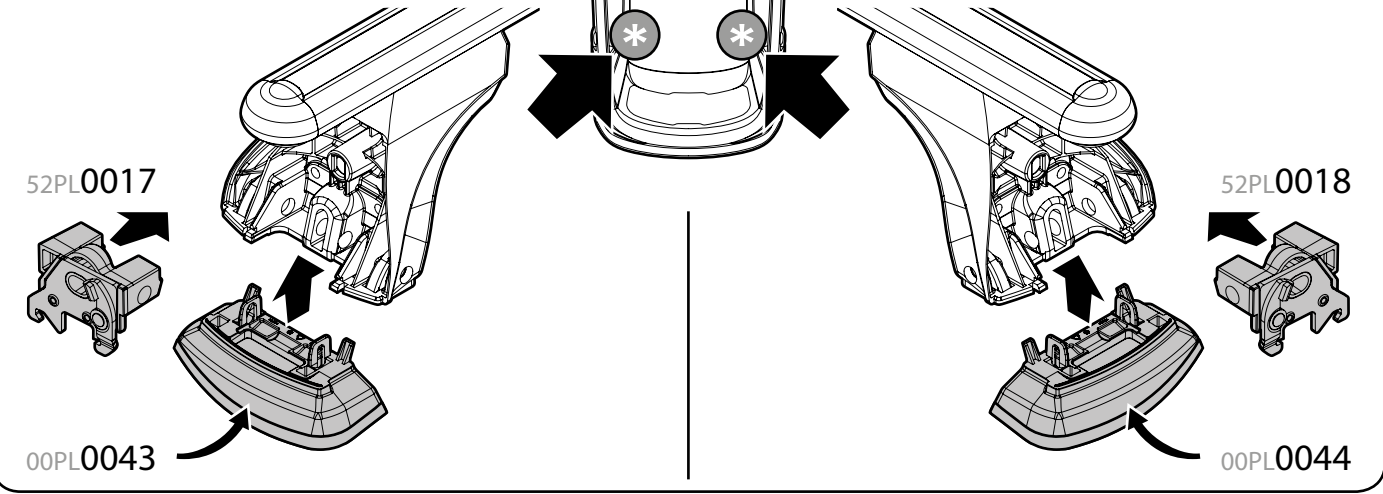
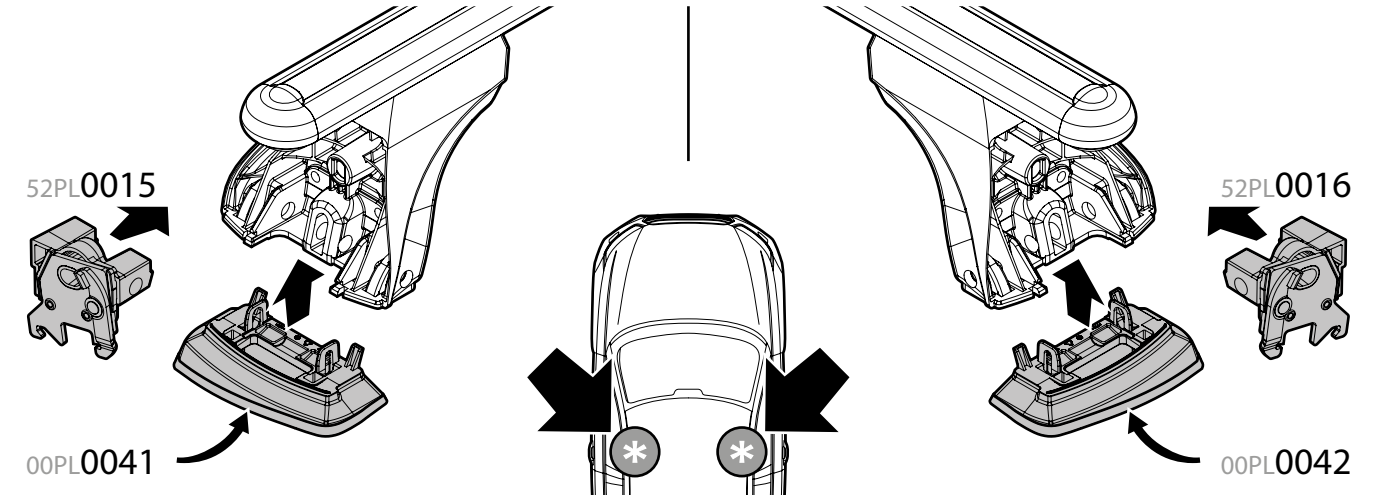
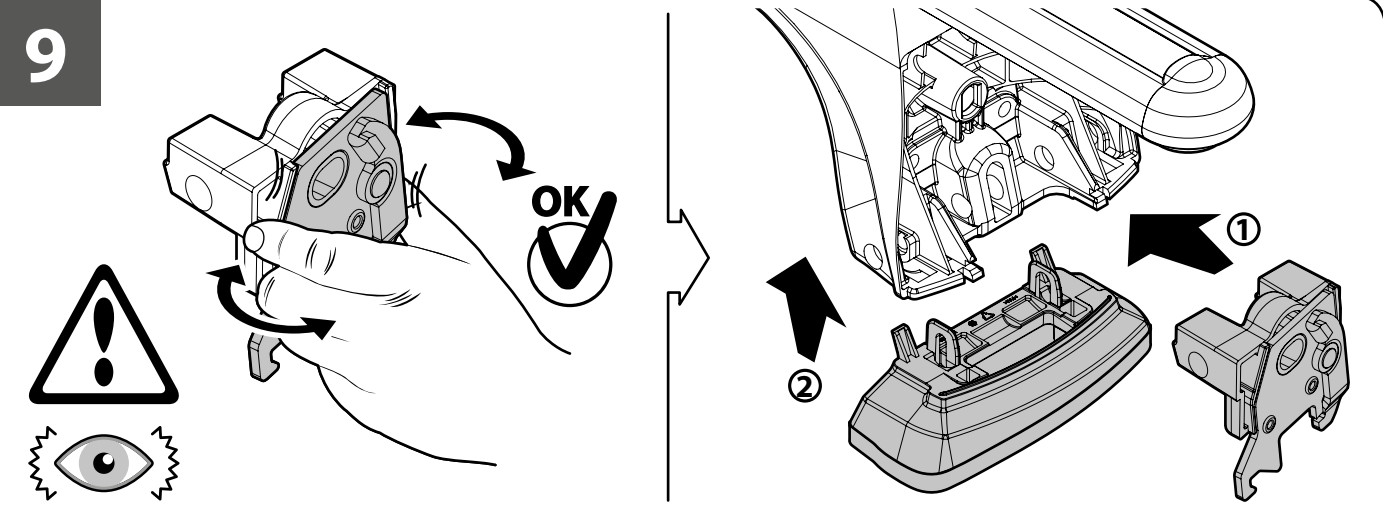




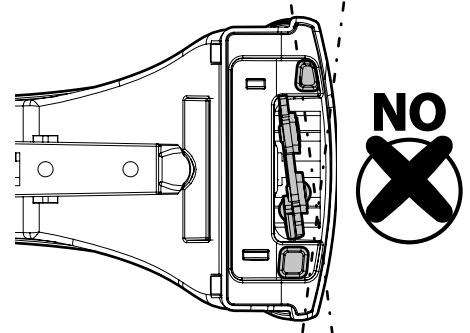
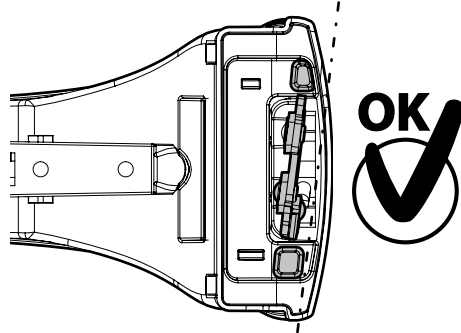
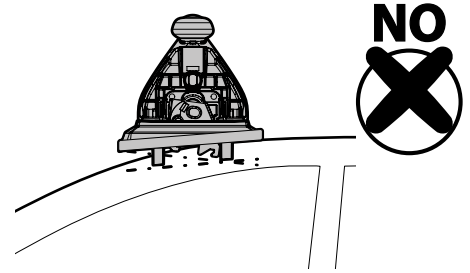
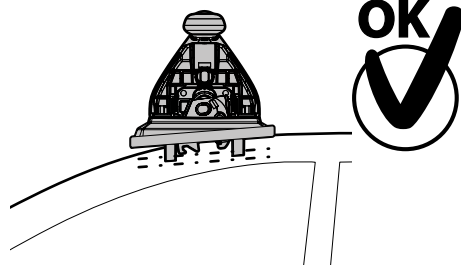
8



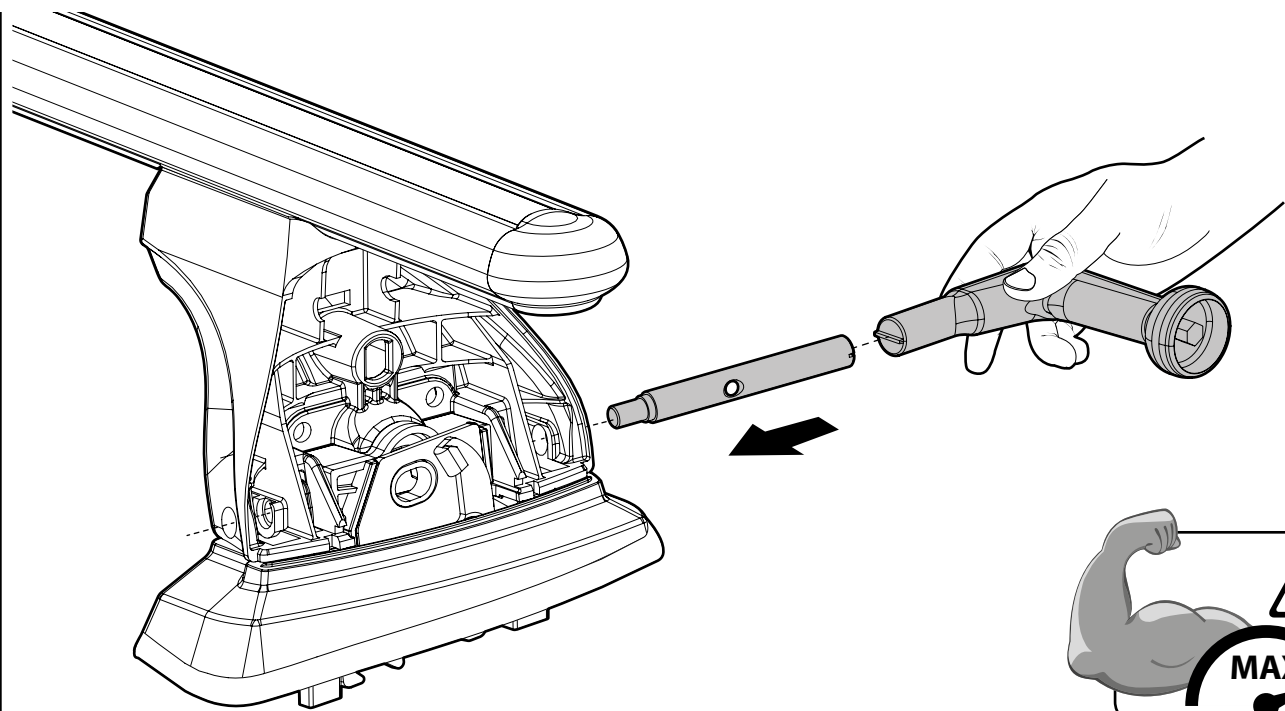
9



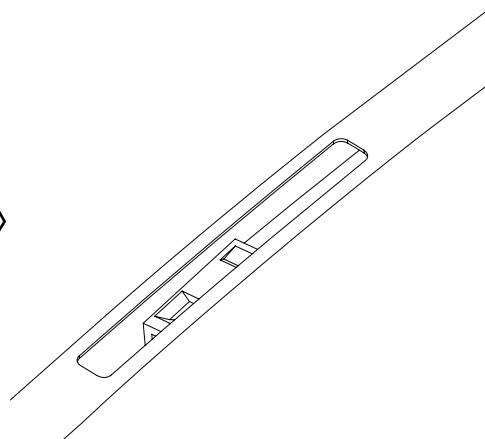
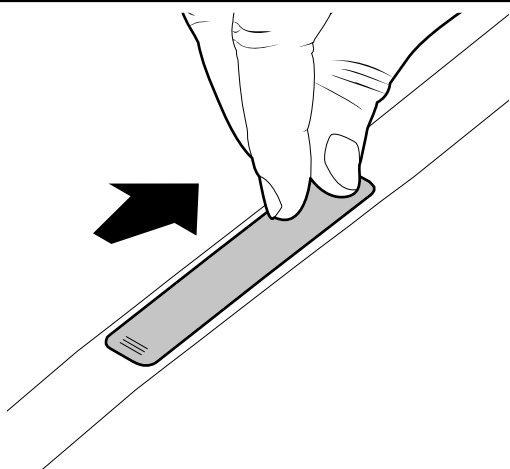
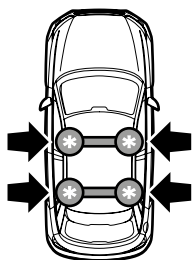
10



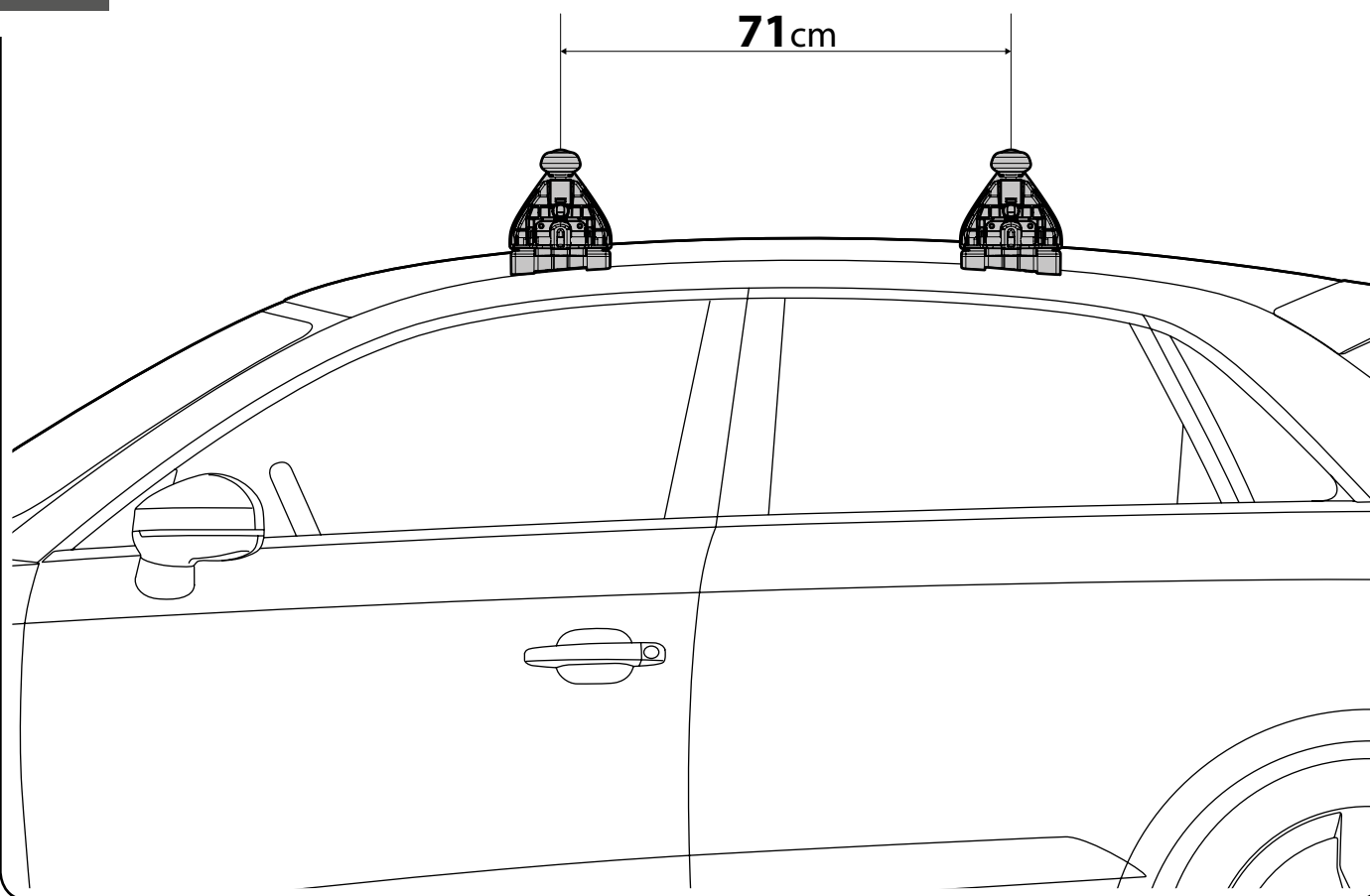
11



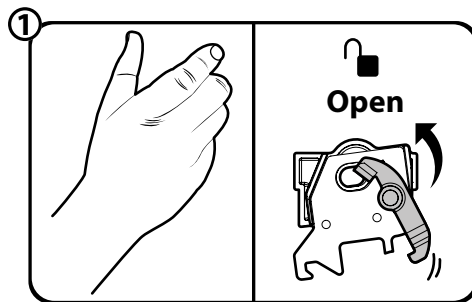
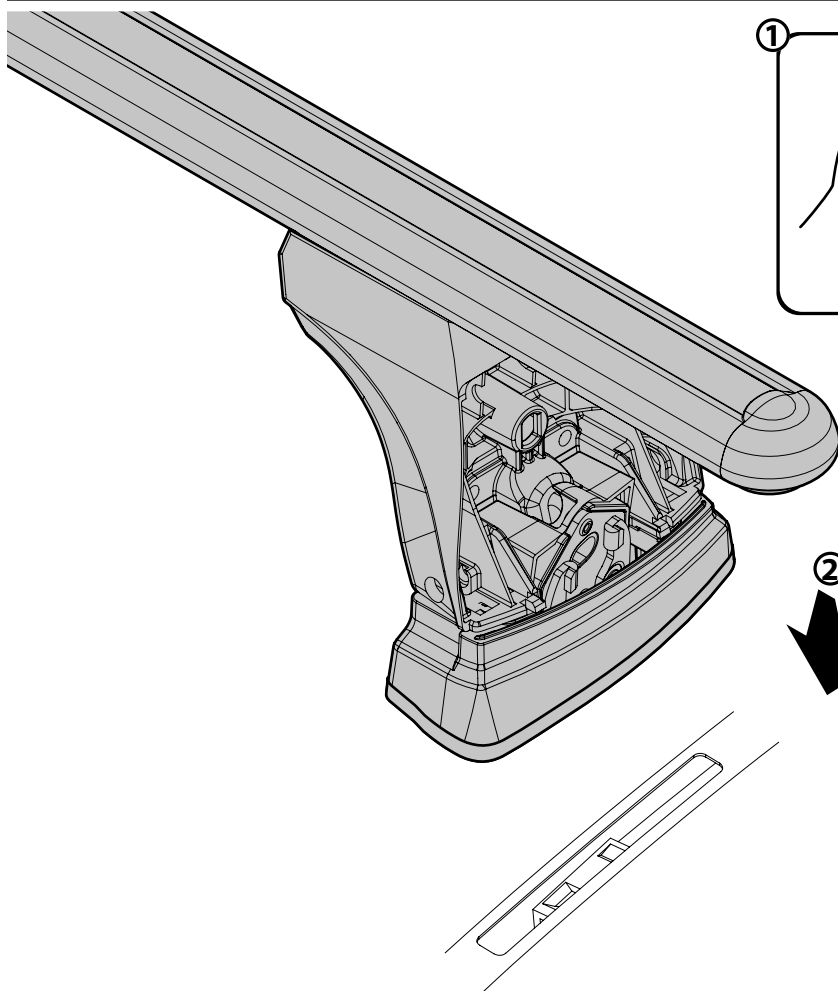
12



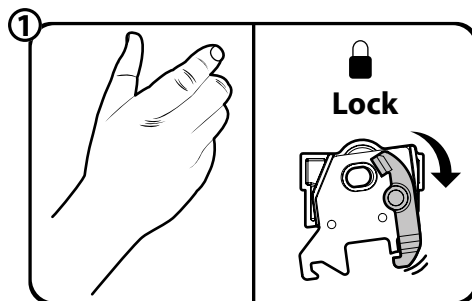
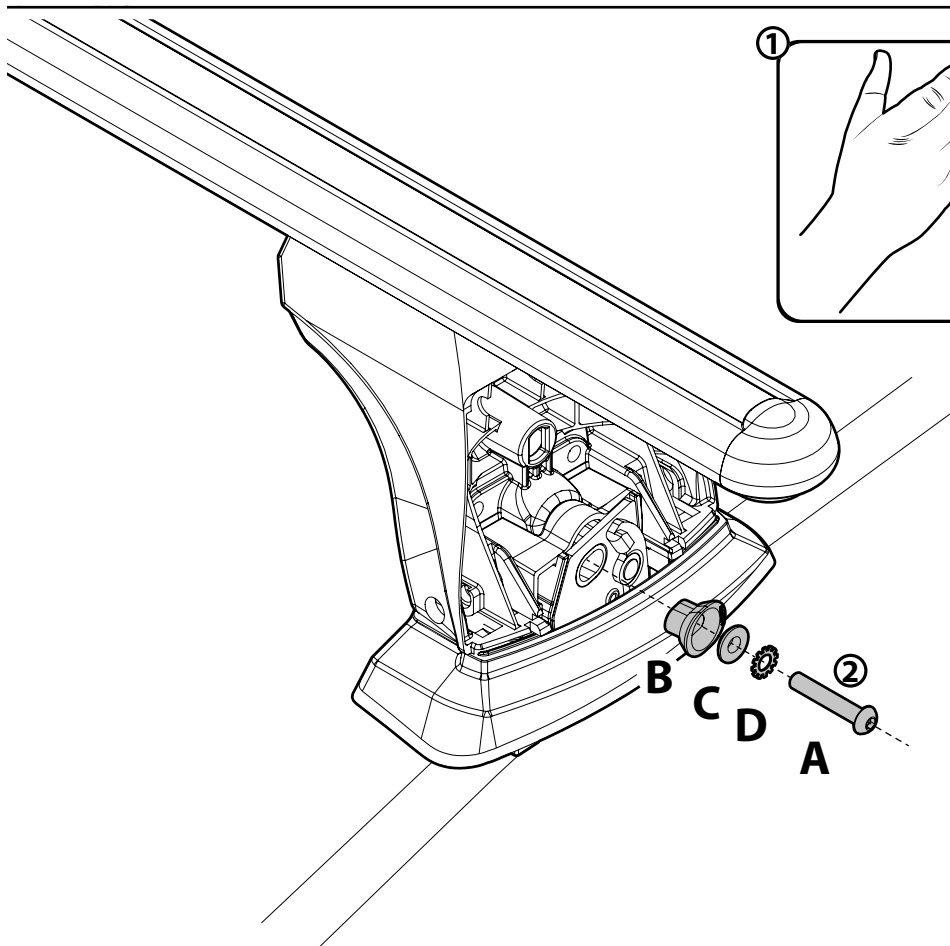
13



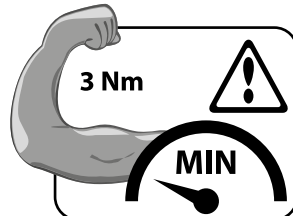
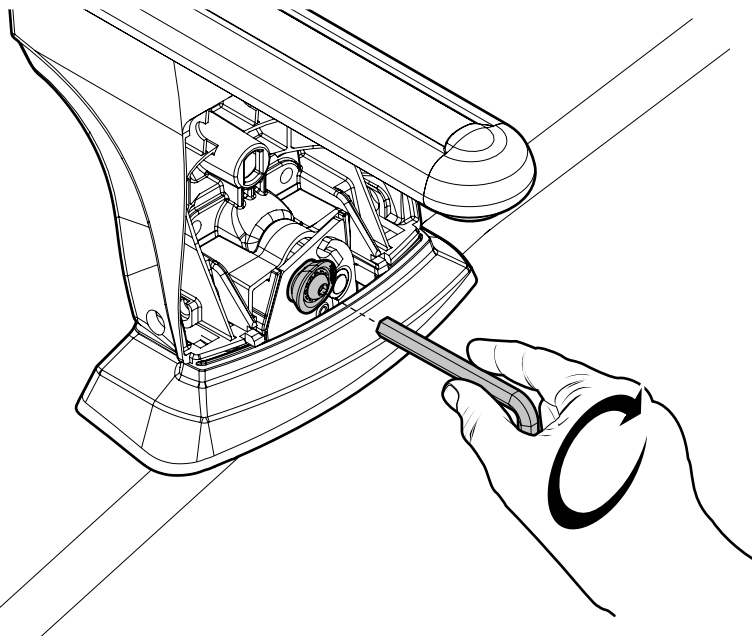
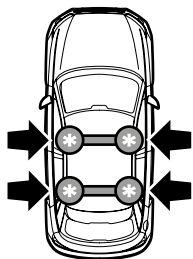
14



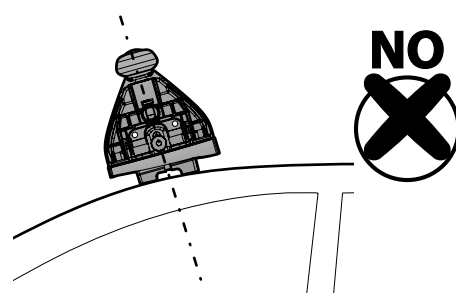
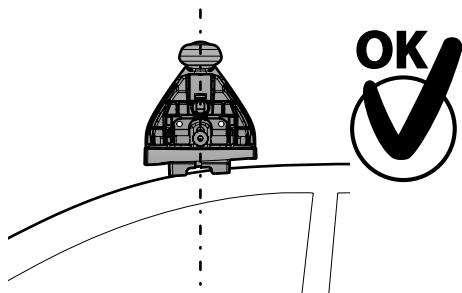
15



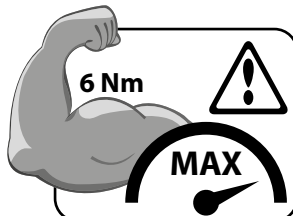
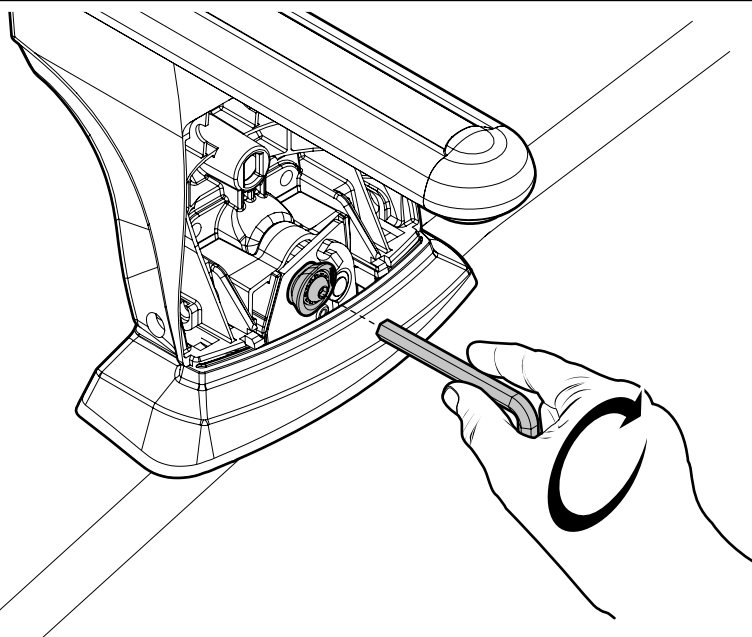
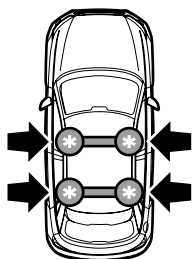
16



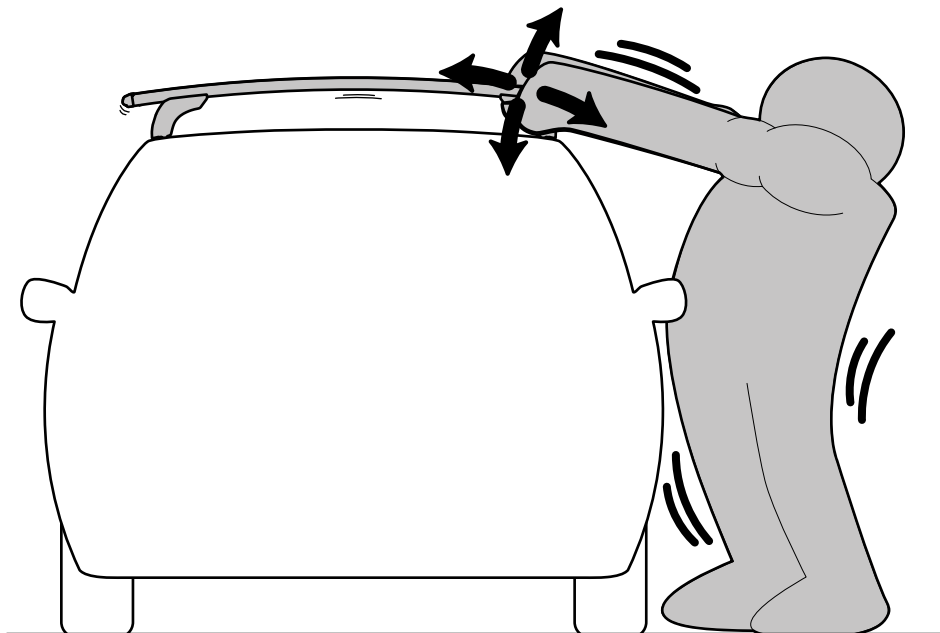
17



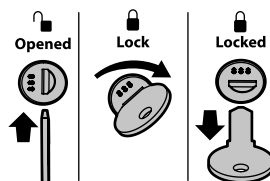
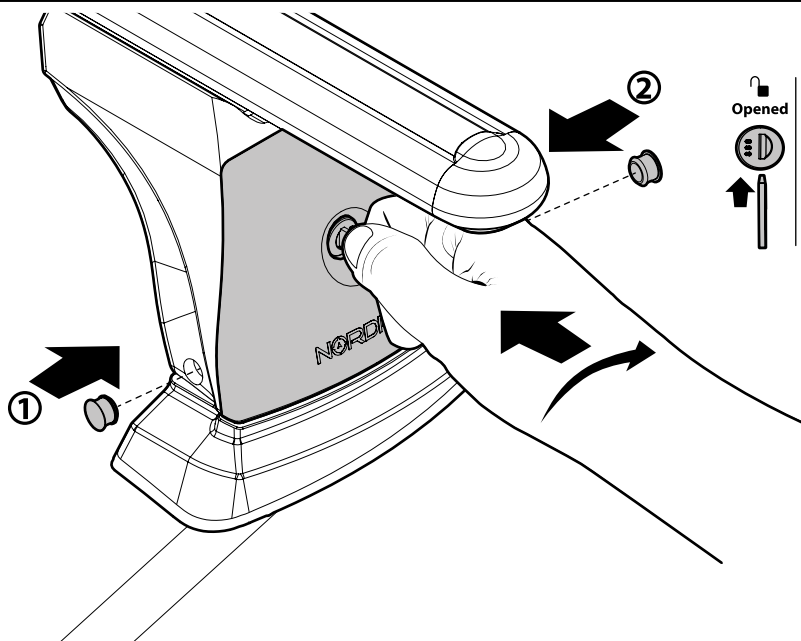
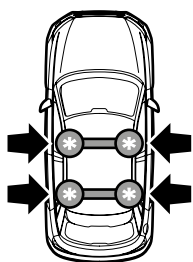
18



19



20



EVOS

NORDRIVE[®]
TRANSPORT SOLUTIONS

is a registered trade mark of

LAMPA S.p.A.

Via G. Rossa 53/55, 46019 Viadana (MN) ITALY

Tel. +39 0375 820700

UNI EN ISO 9001:2008 Certified Company

www.nordrive.it

www.lampa.it