

EVOS

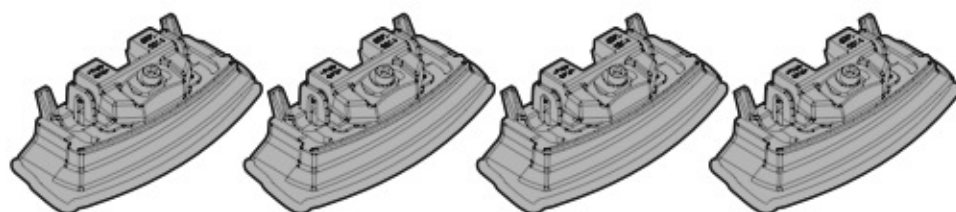
NORDDRIVE

TRANSPORT SOLUTIONS

KIA CEE'D

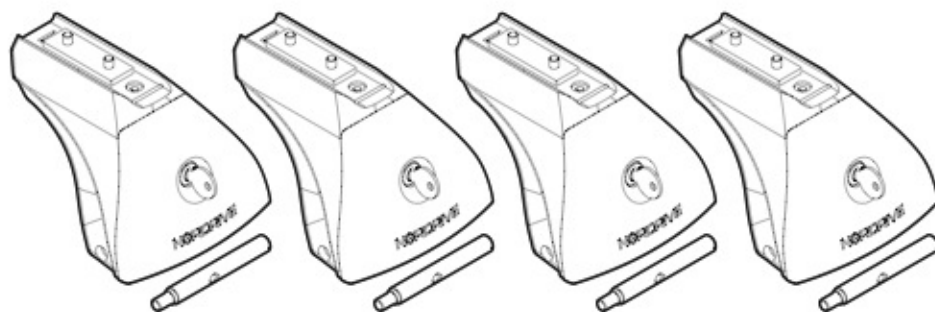


Art. N21165



+

Art. N20001



B

+

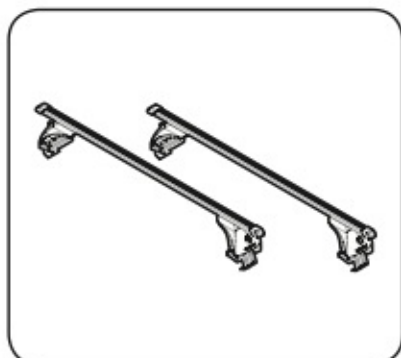
Art. N15019 **S**



A

QUADRA
ACCIAIO
Steel

=



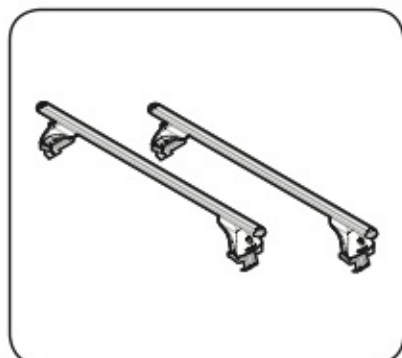
Art. N15024 **S**



A

ALUMIA
ALLUMINIO
Aluminium

=



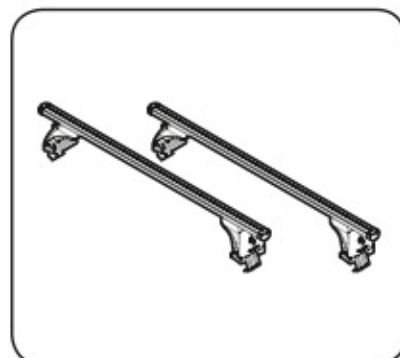
Art. N15074 **S**



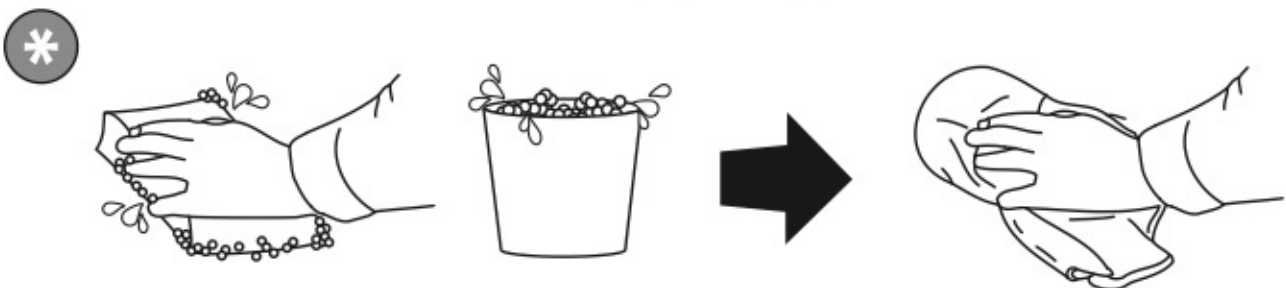
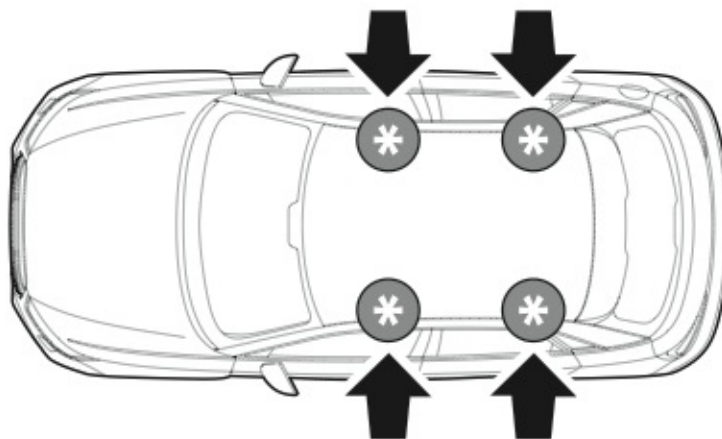
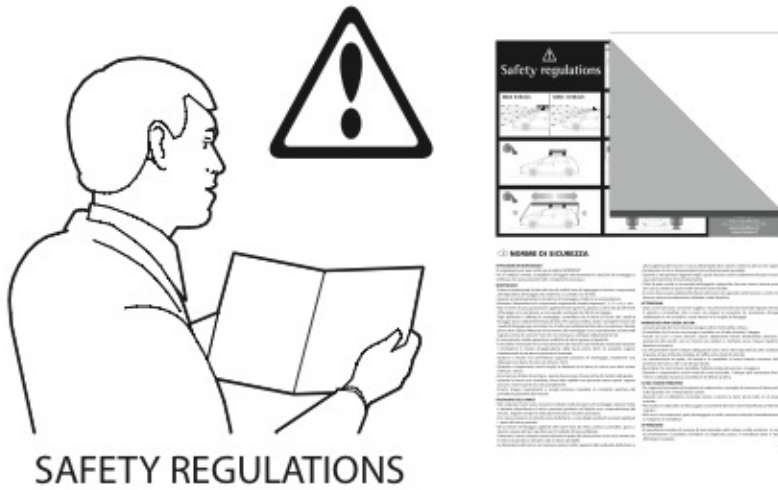
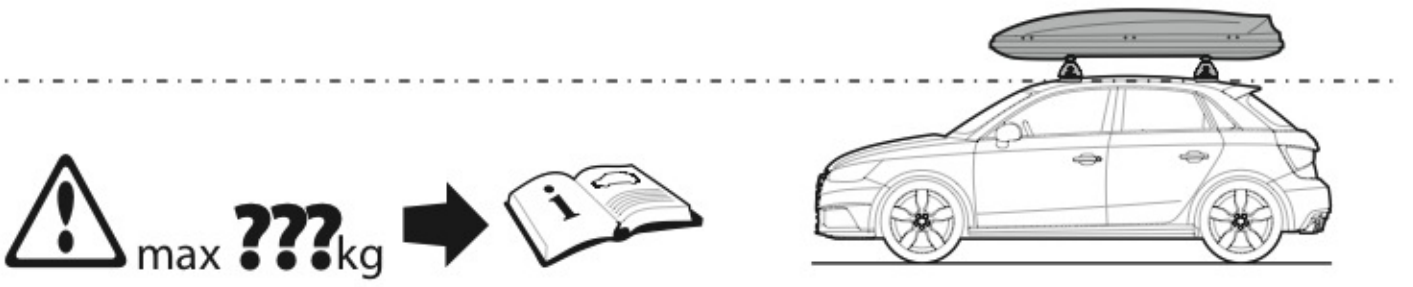
A

HELIO
ALLUMINIO
Aluminium

=

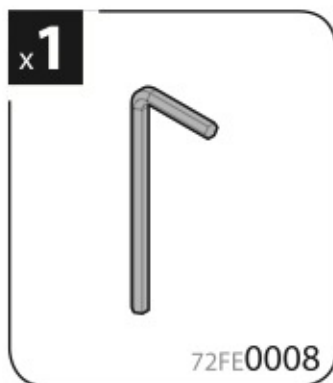
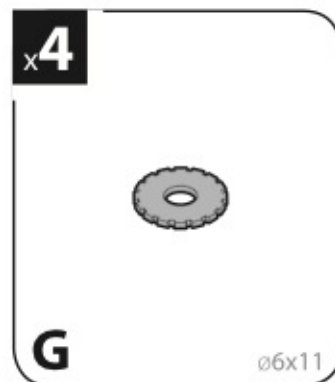
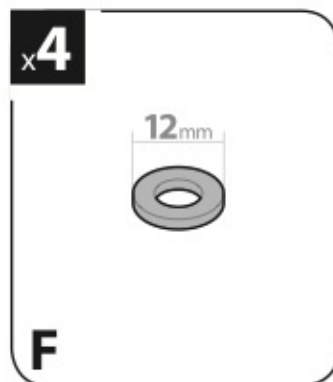
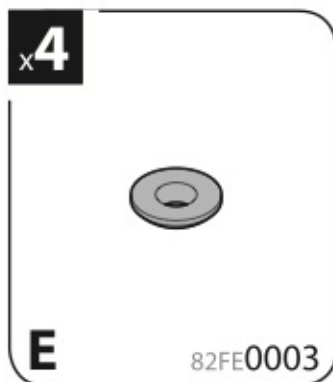
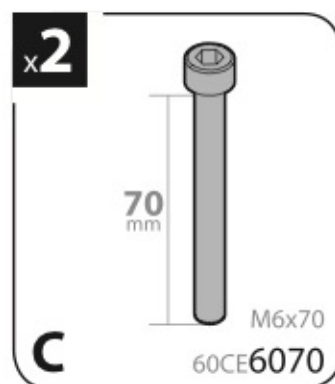
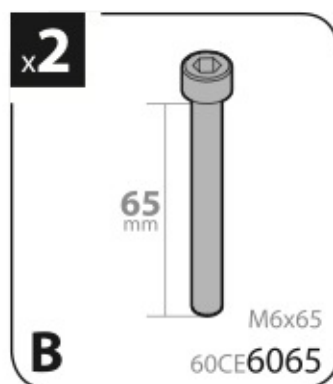
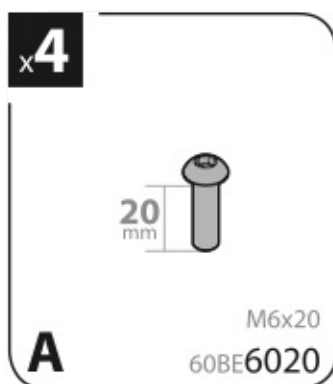
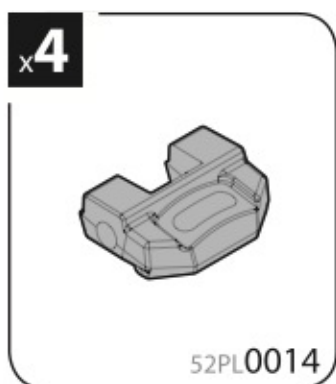
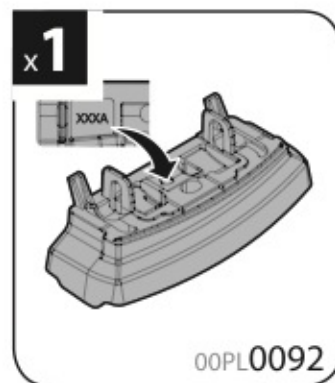
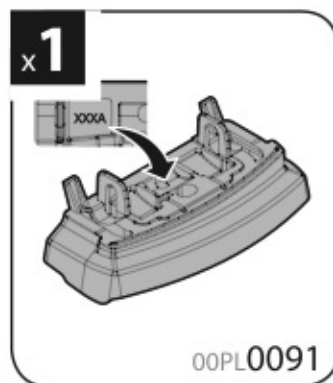
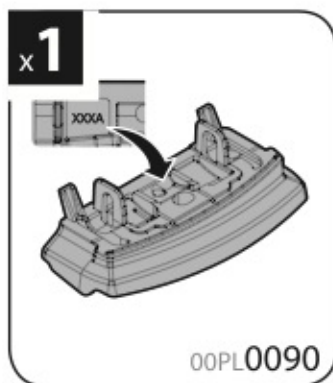
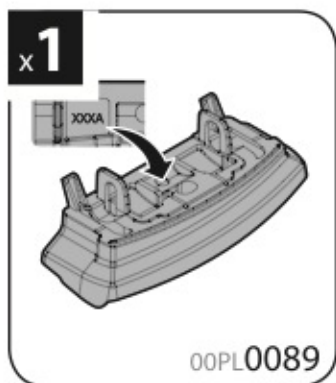


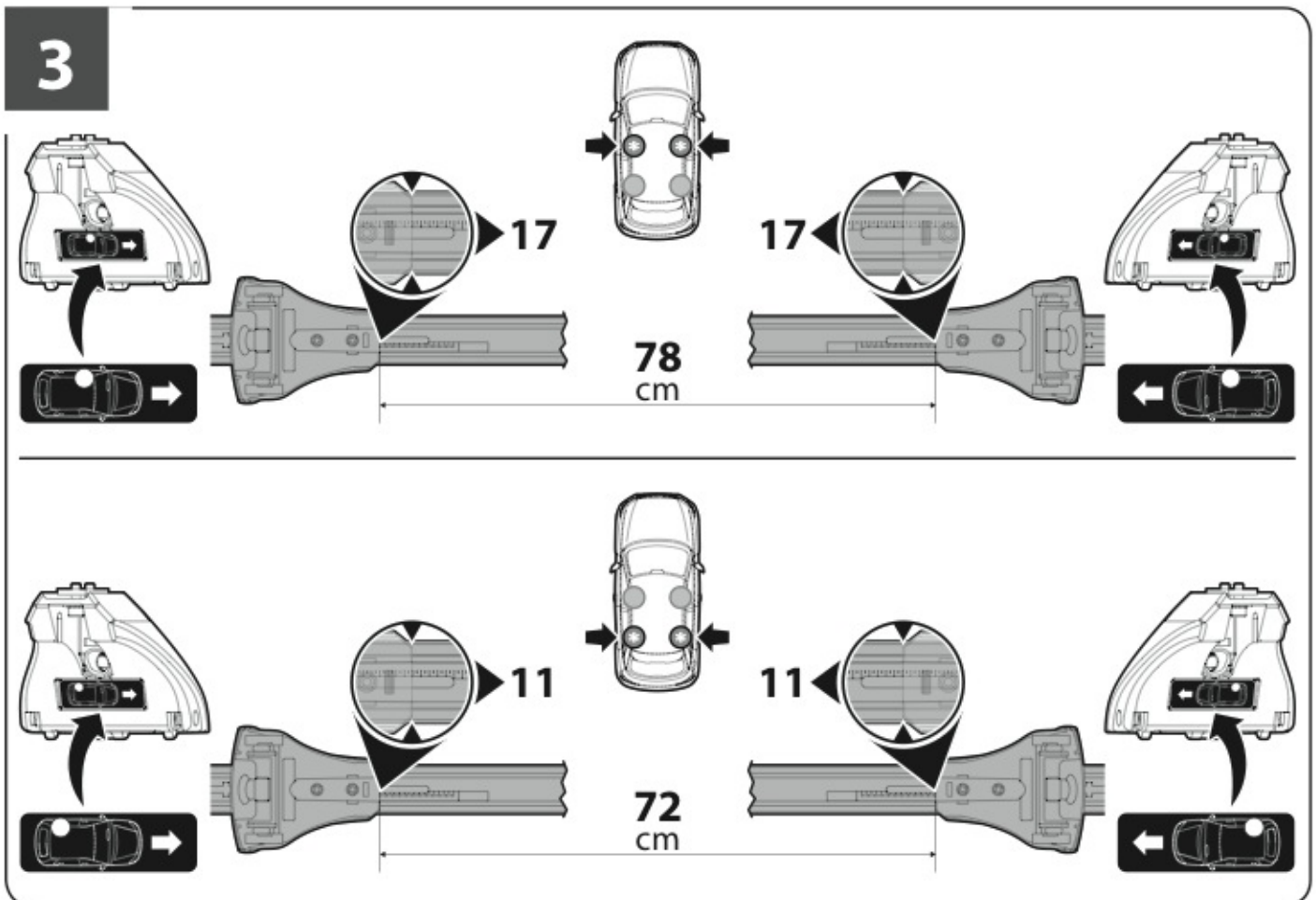
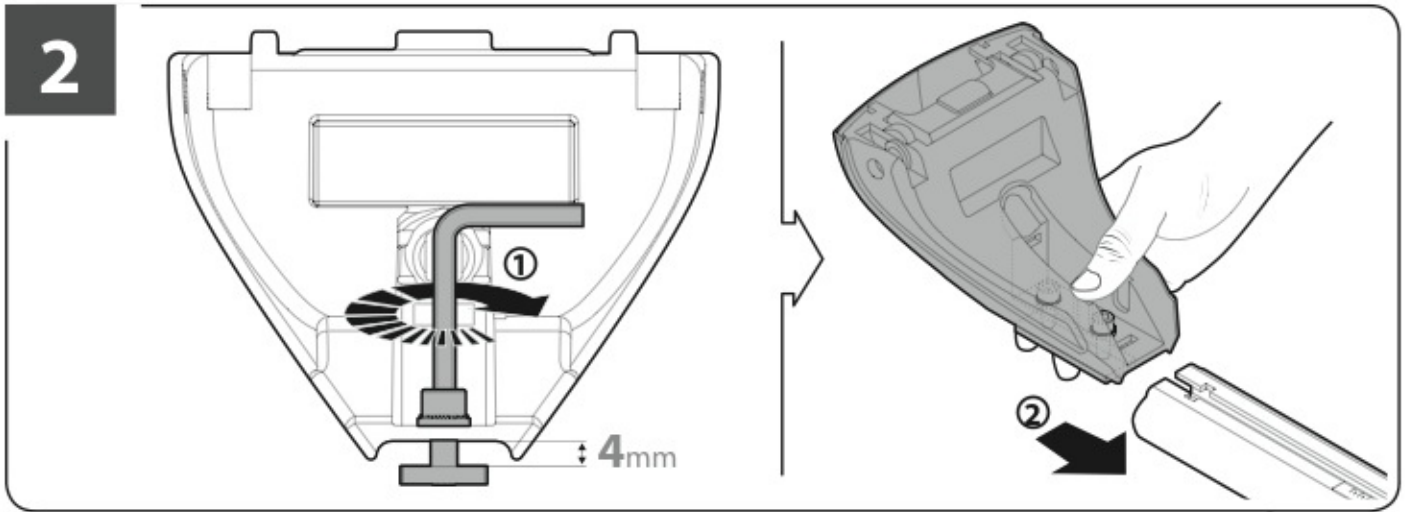
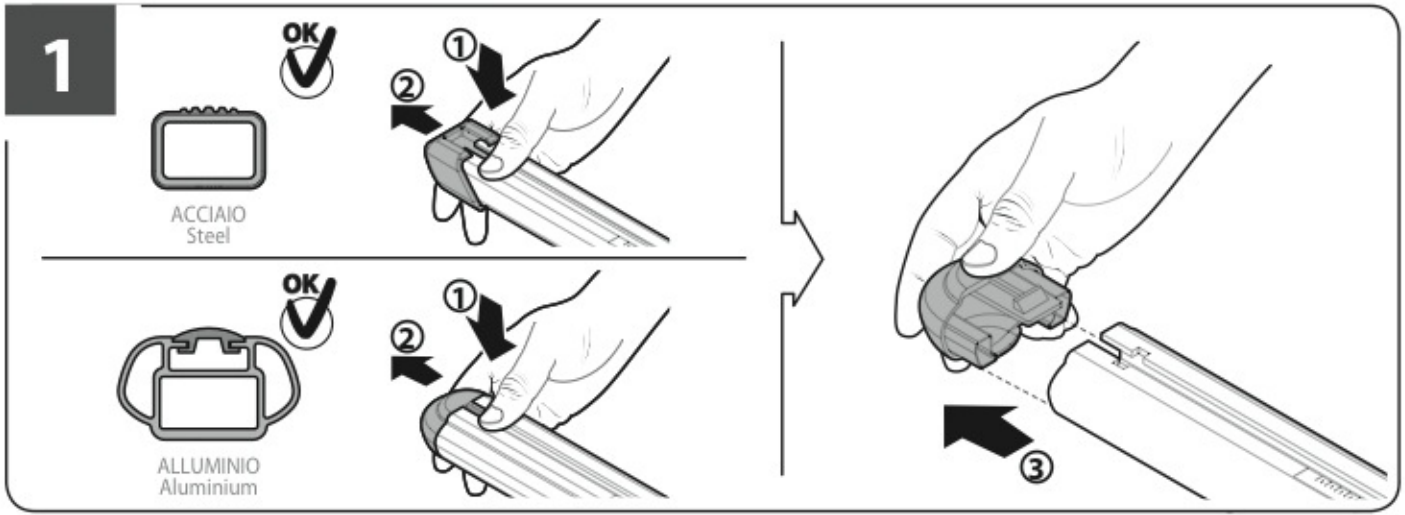
+
 +
 = max kg. **75**



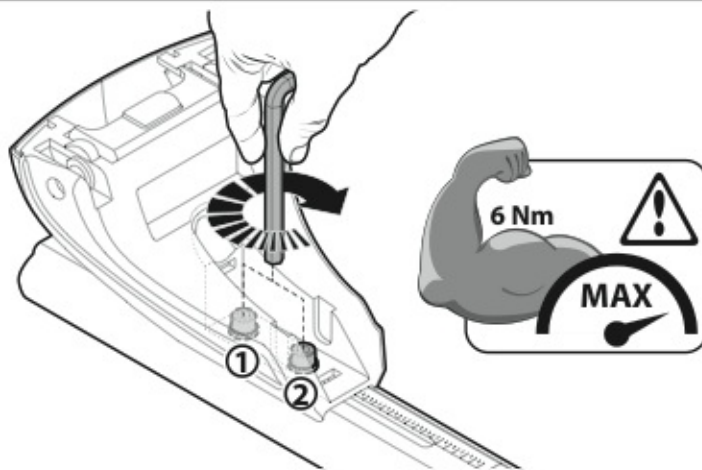


Art. N21165

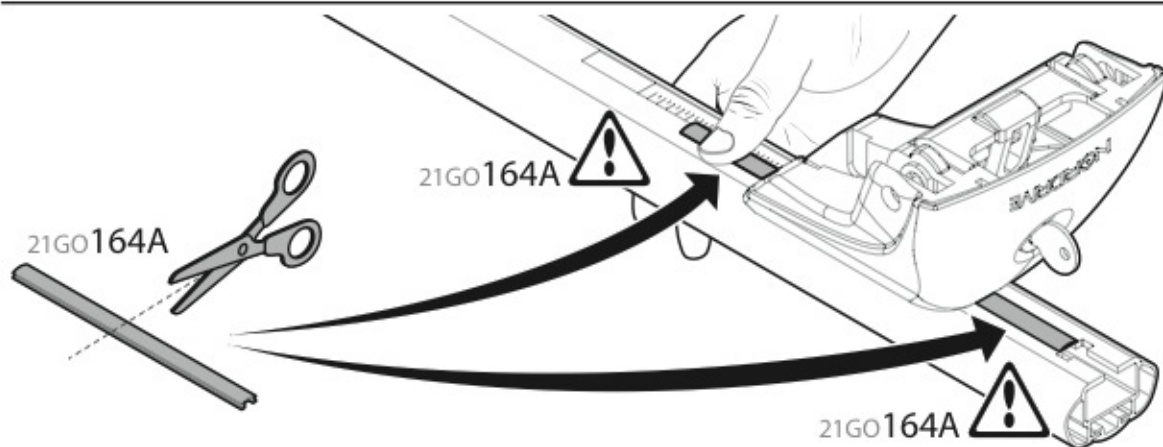




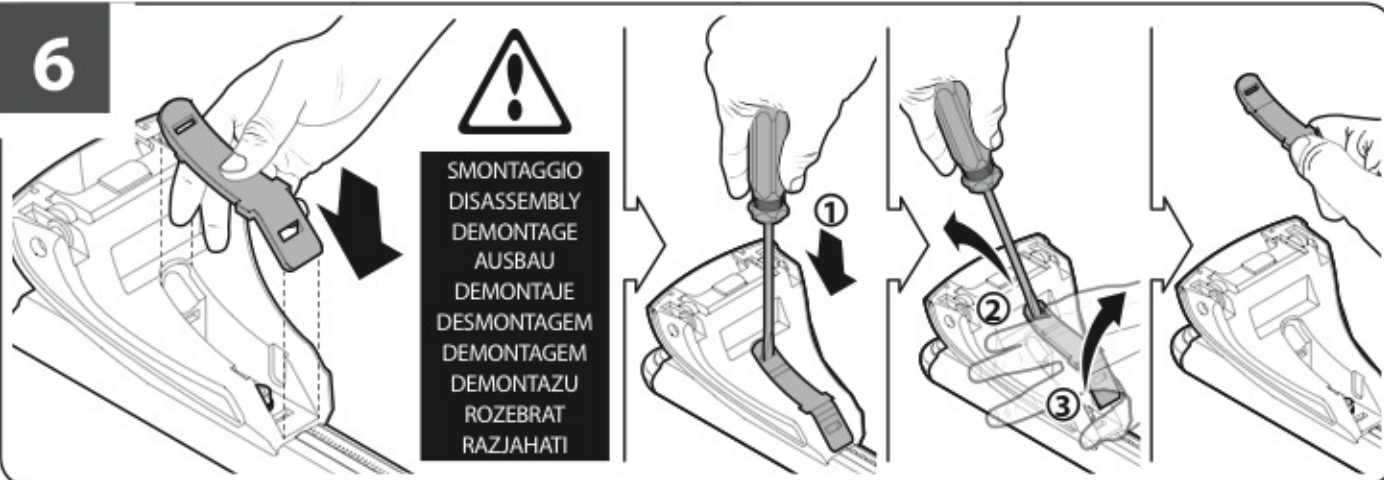
4



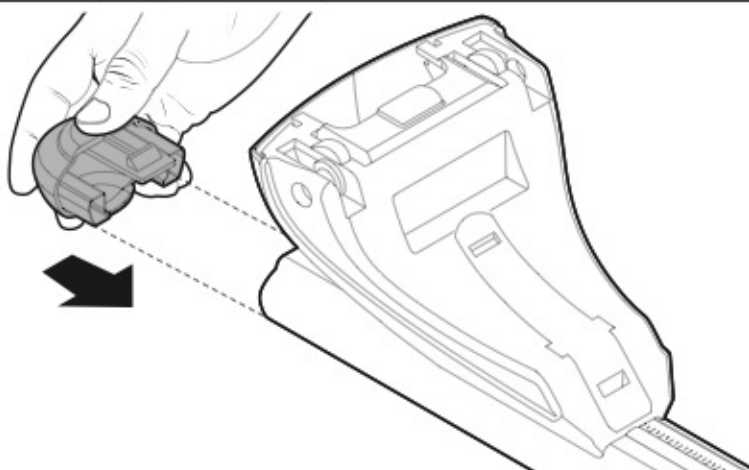
5



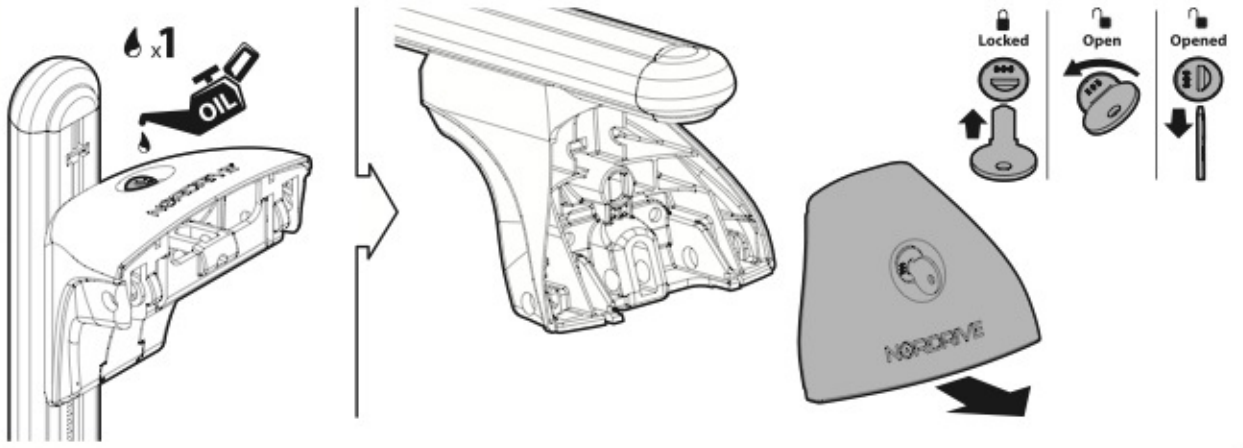
6



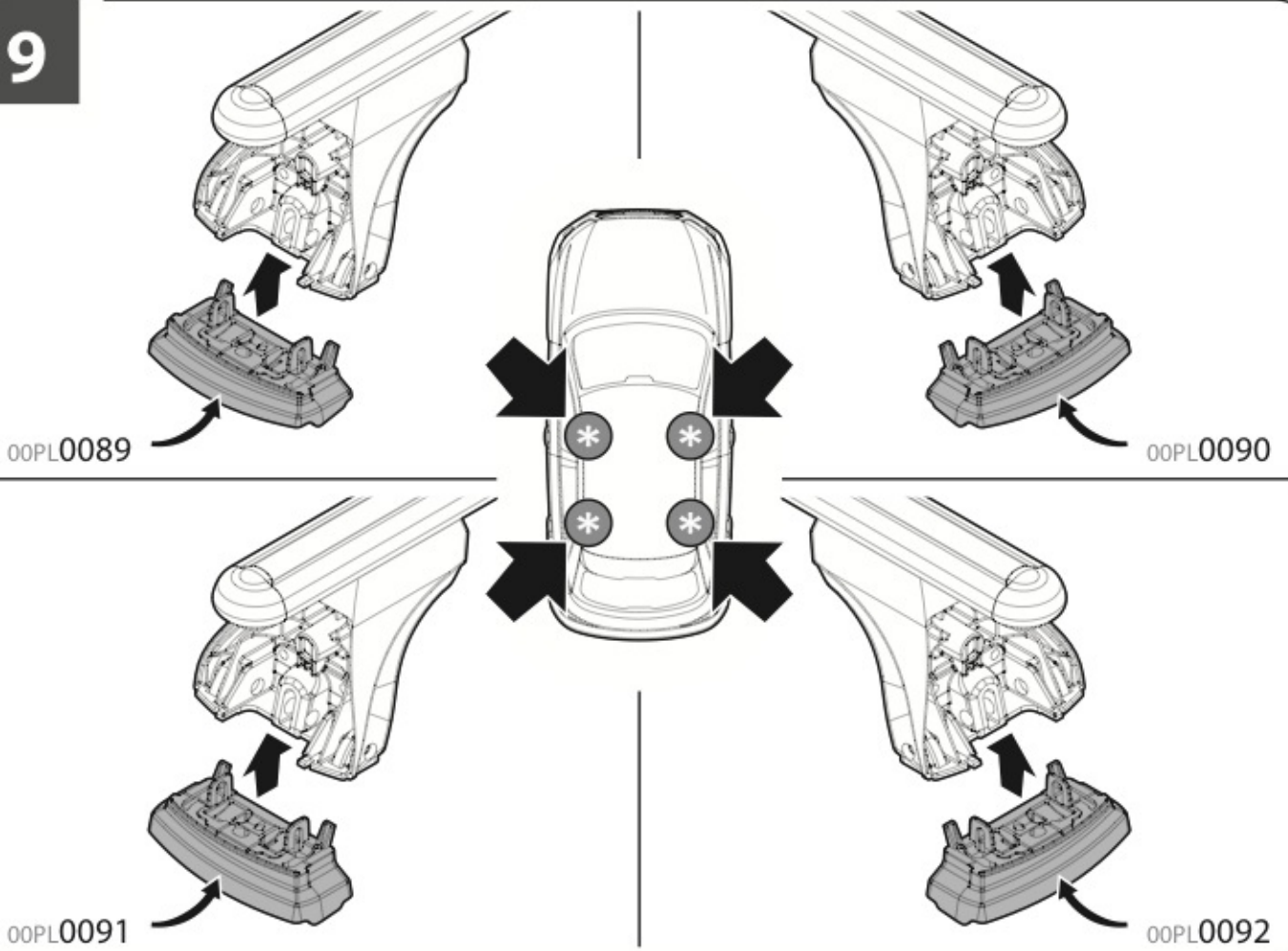
7



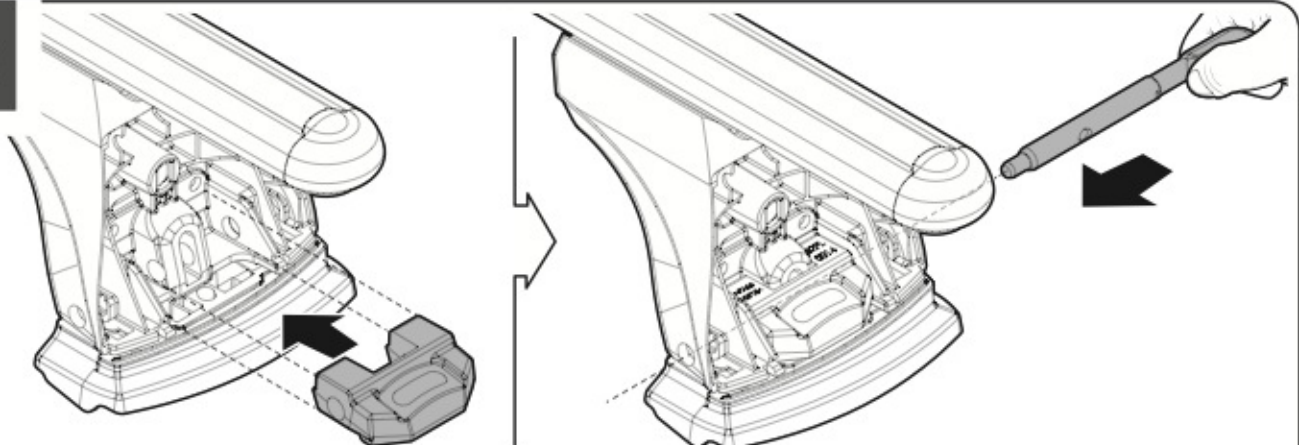
8



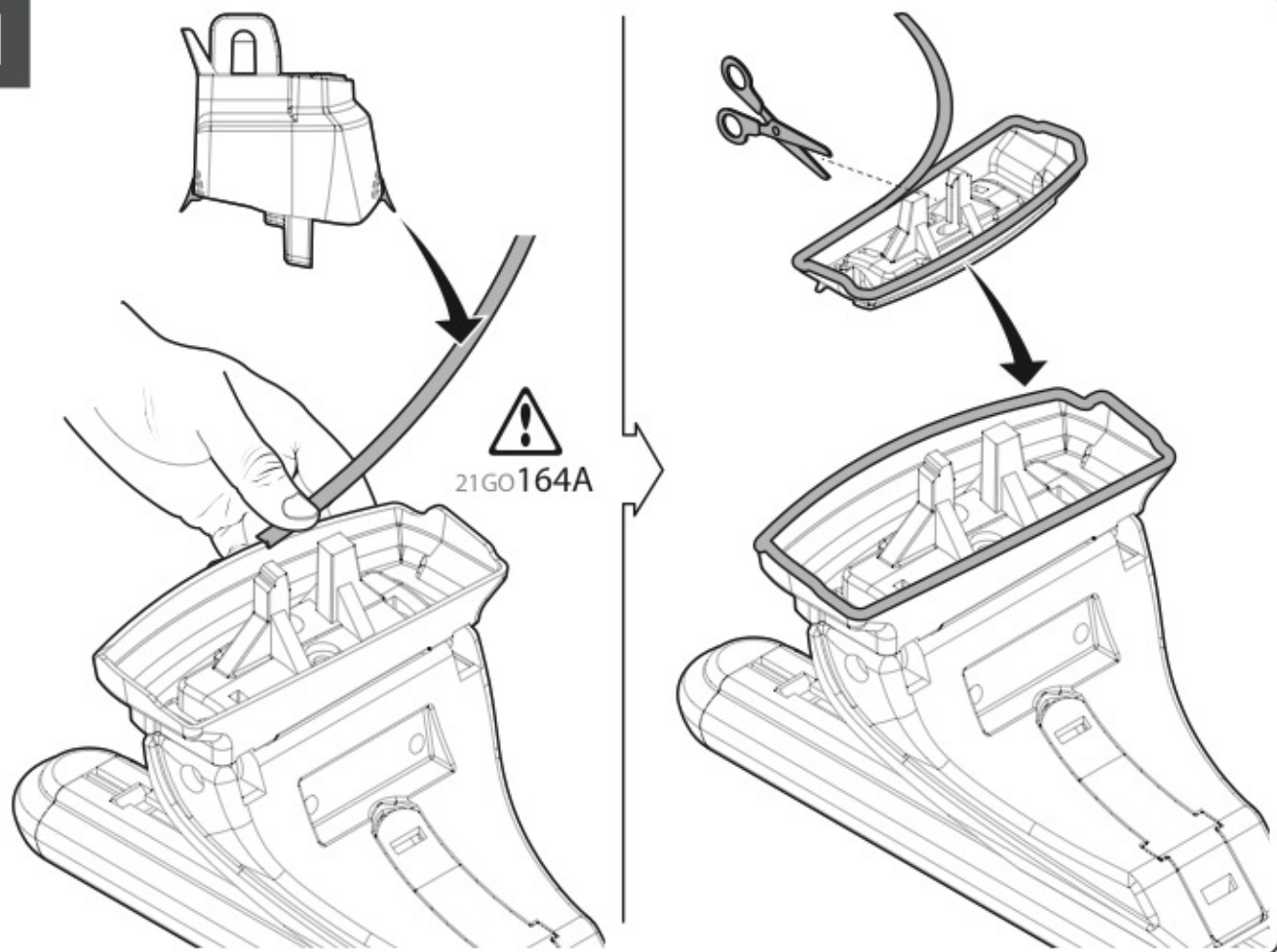
9



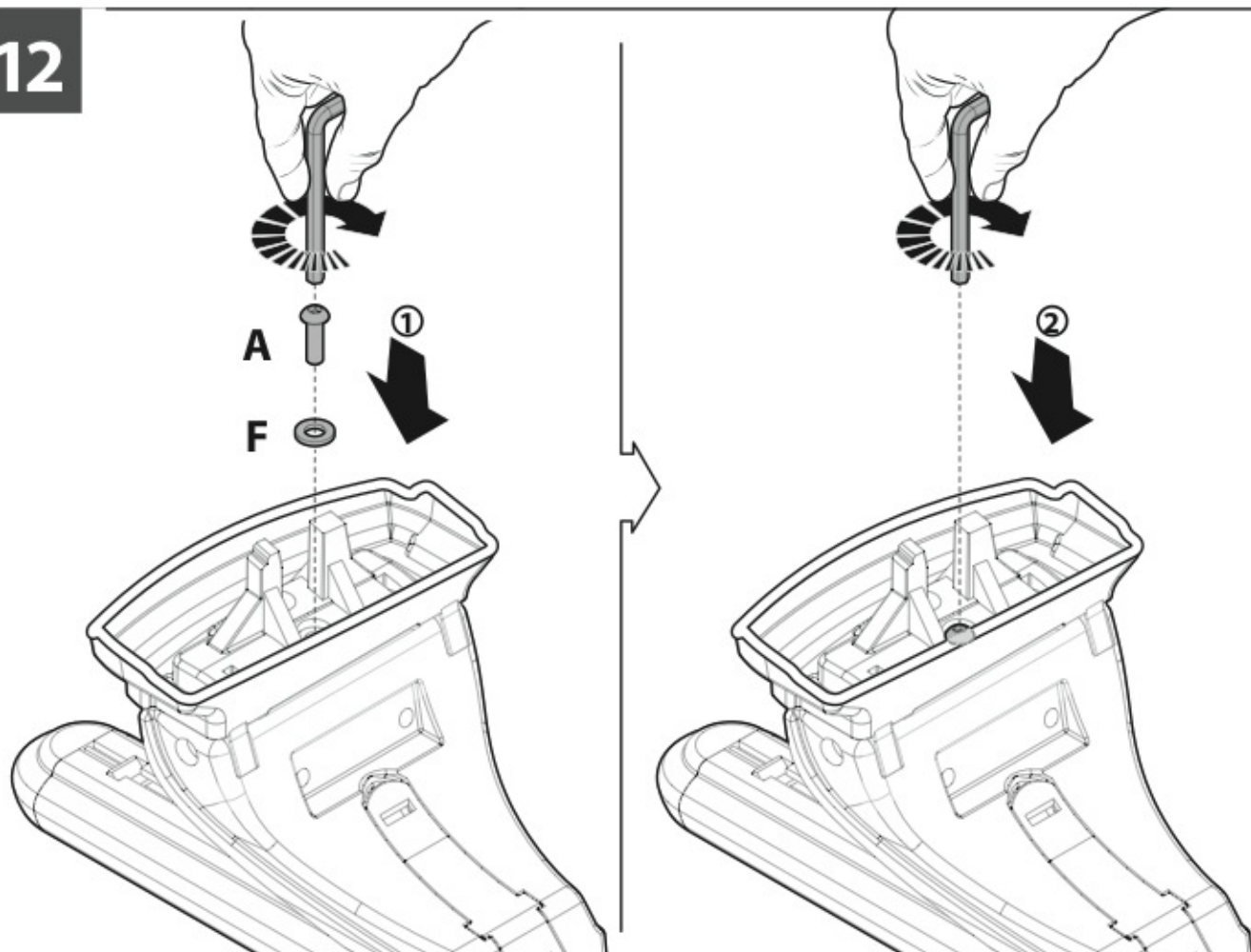
10



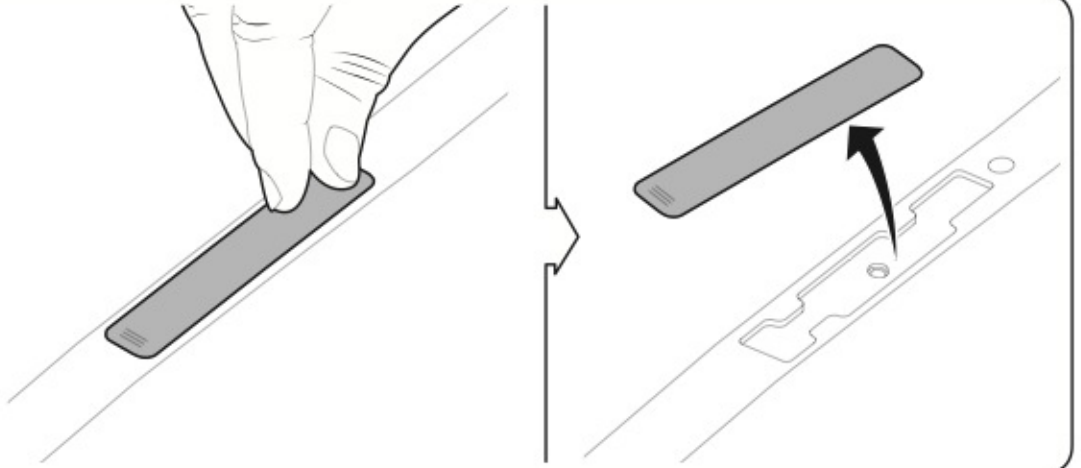
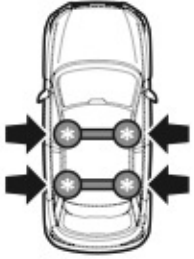
11



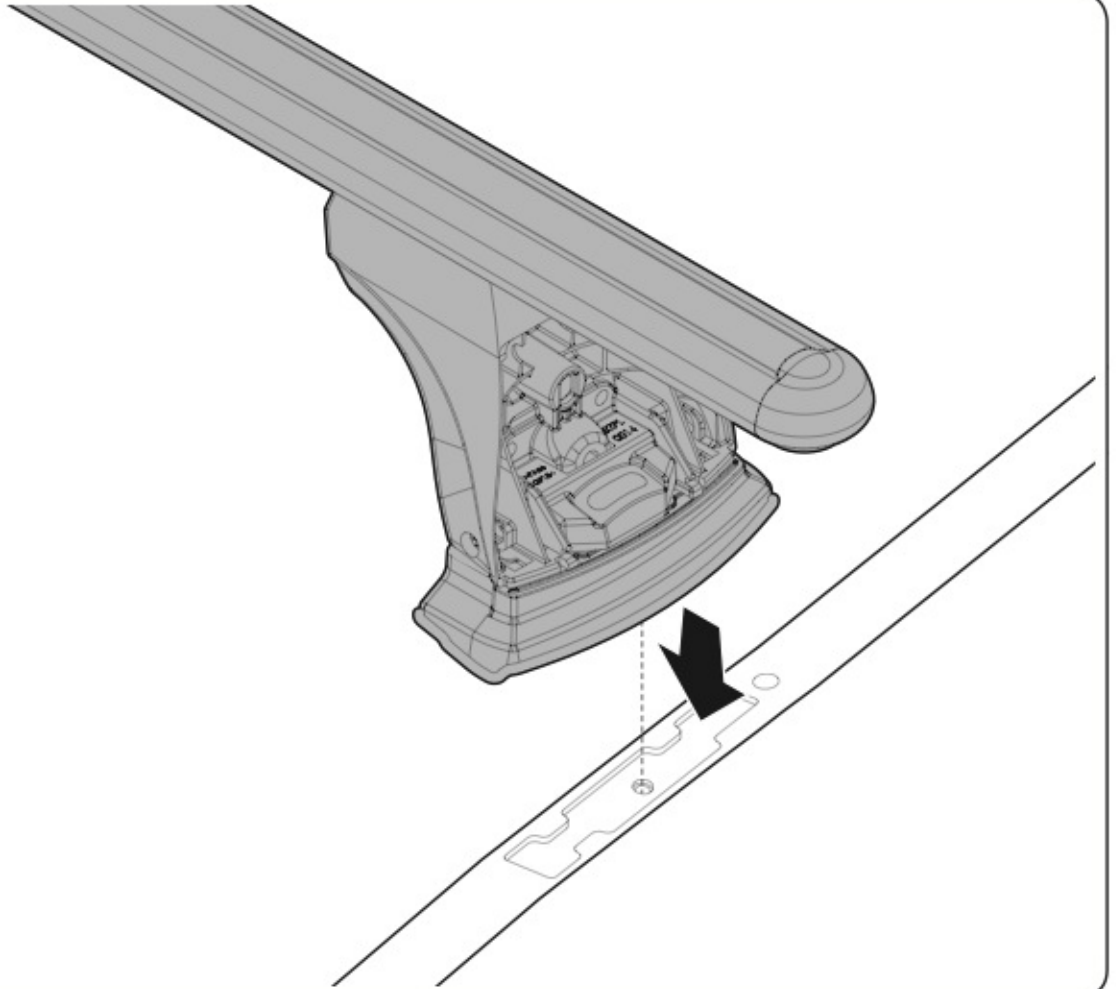
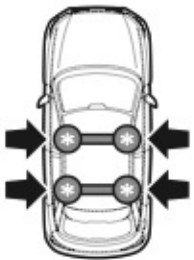
12



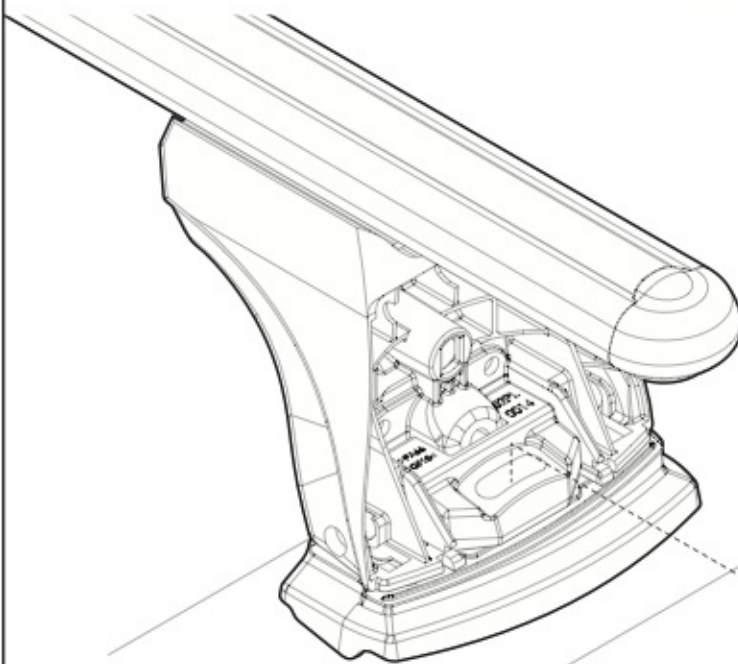
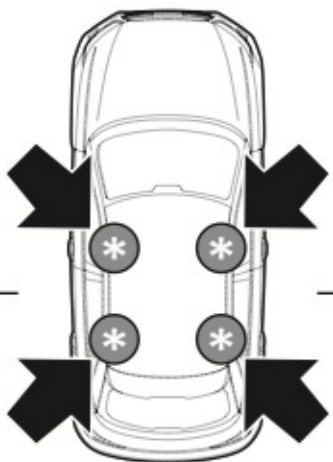
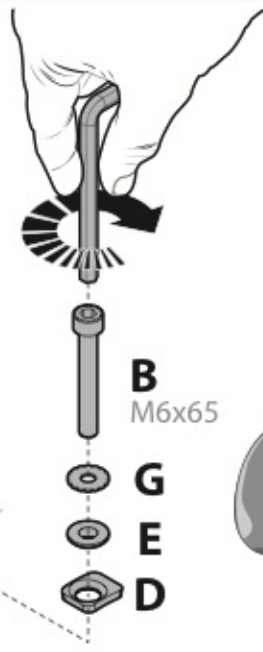
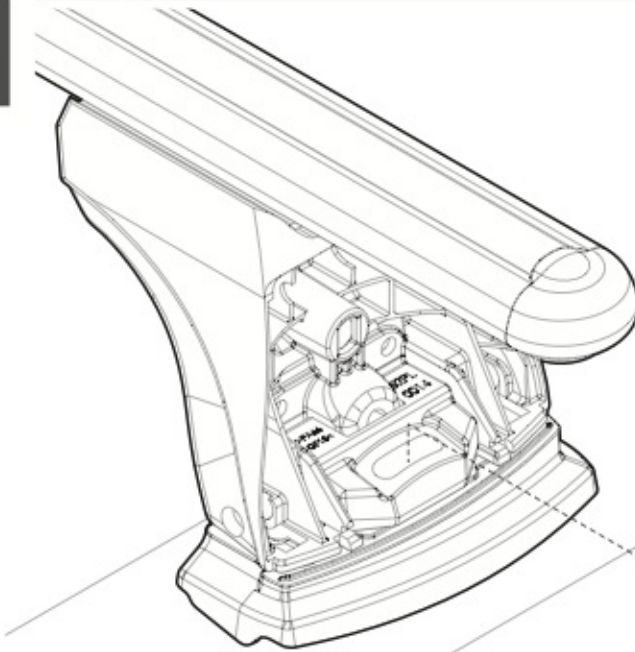
13



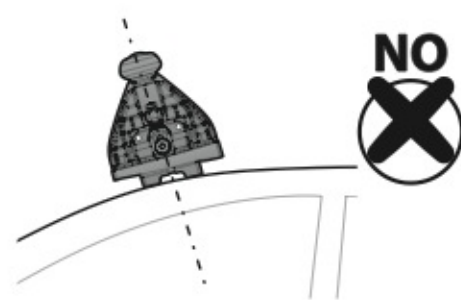
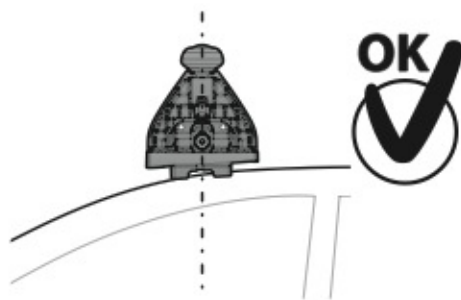
14



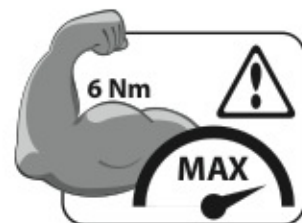
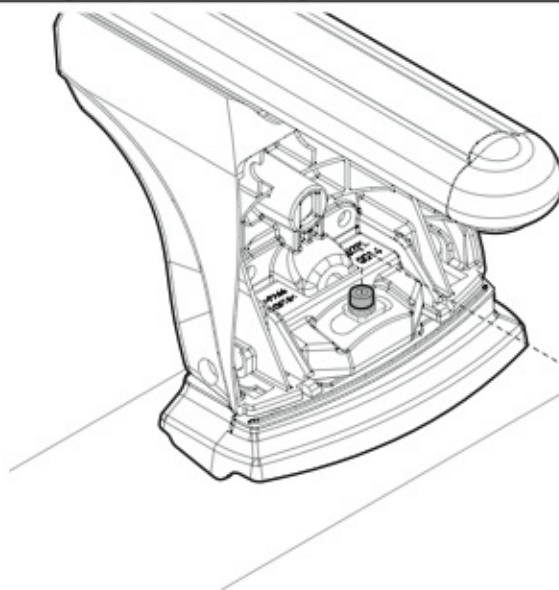
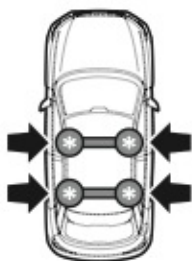
15



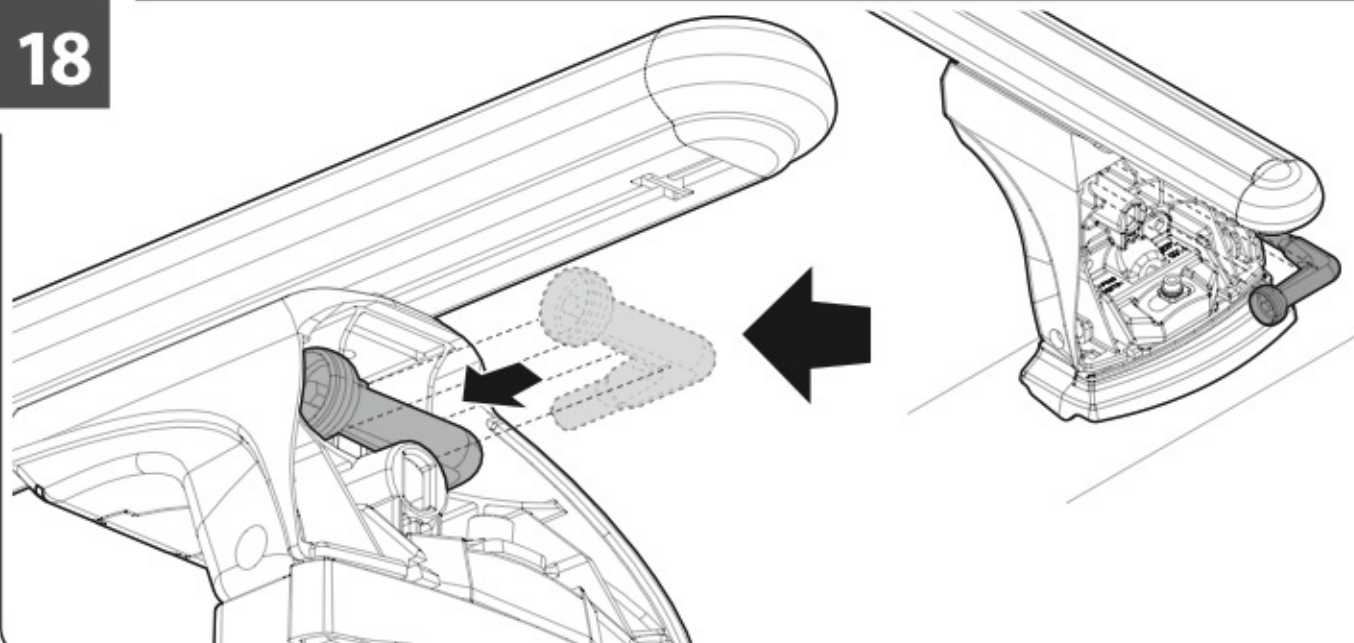
16



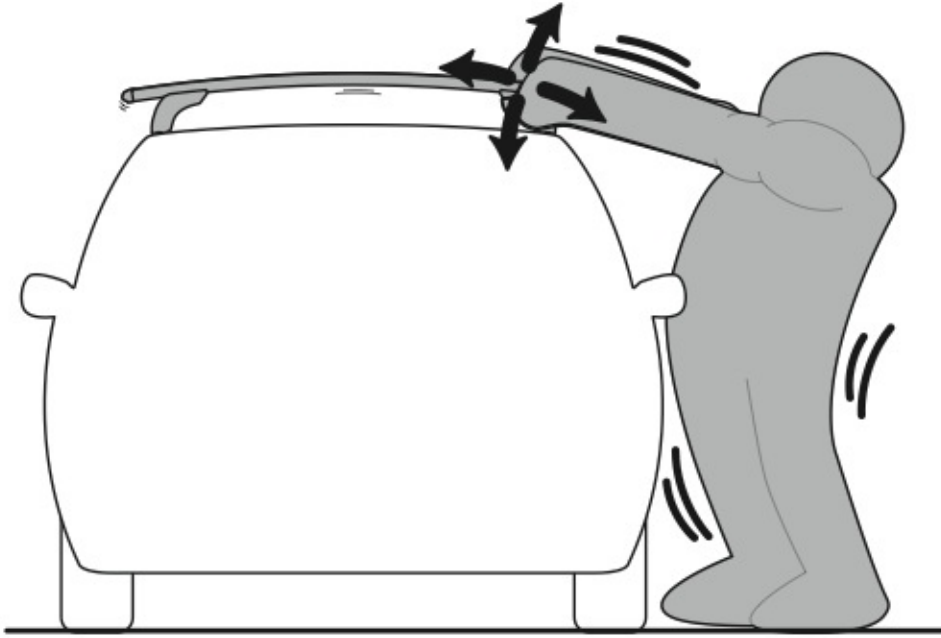
17



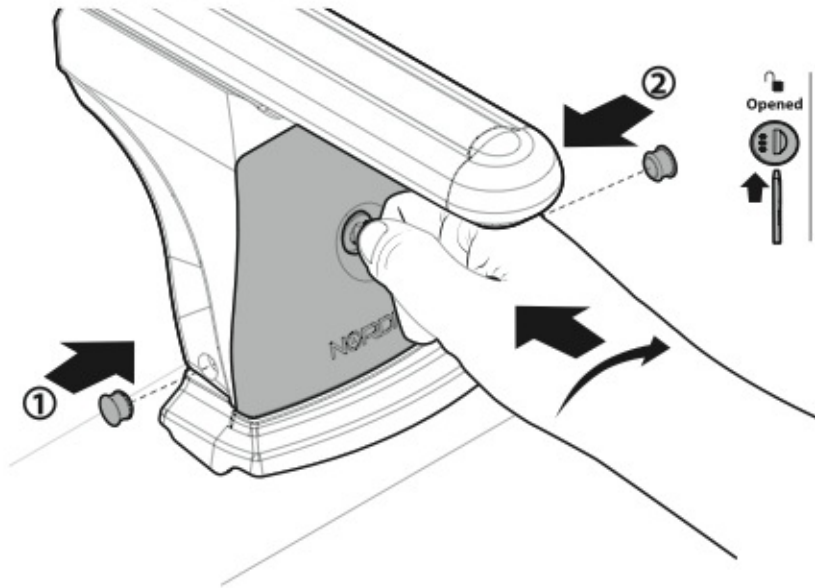
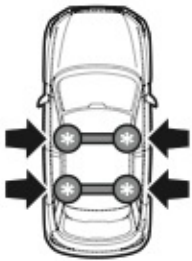
18



19



20



EVOS

NORDRIVE[®]
TRANSPORT SOLUTIONS

is a registered trade mark of

LAMPA S.p.A.

Via G. Rossa 53/55, 46019 Viadana (MN) ITALY

Tel. +39 0375 820700

UNI EN ISO 9001:2008 Certified Company

www.nordrive.it

www.lampa.it