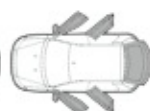


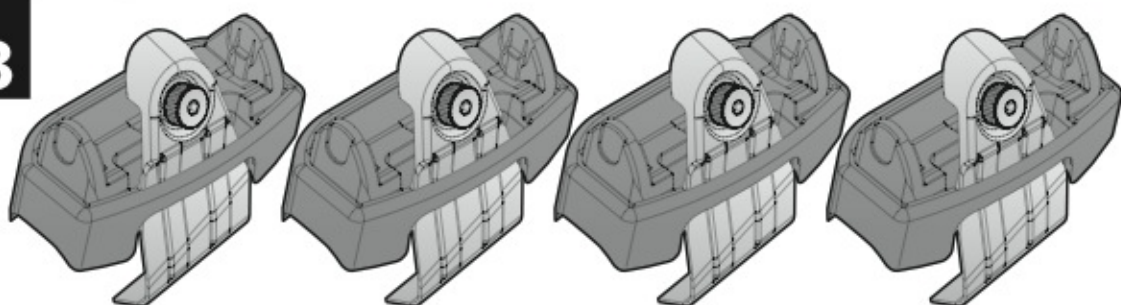
MAZDA 2

5



3/15 →

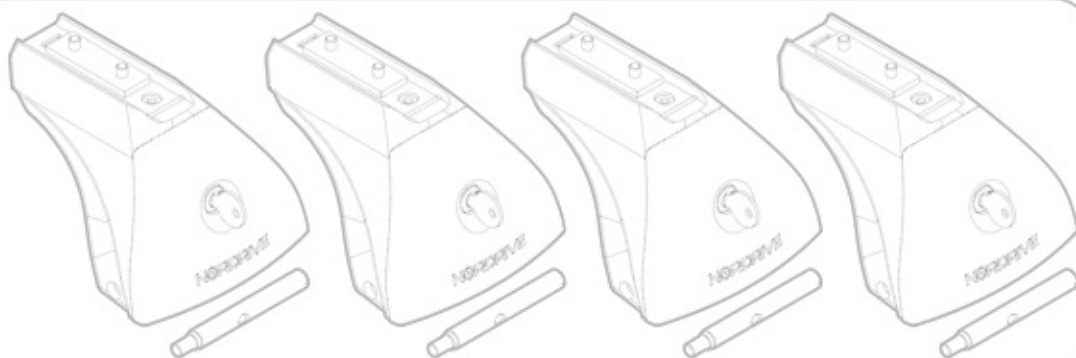
Art.  
**N21173**



**C**

+

Art. **N20001**



**B**

+

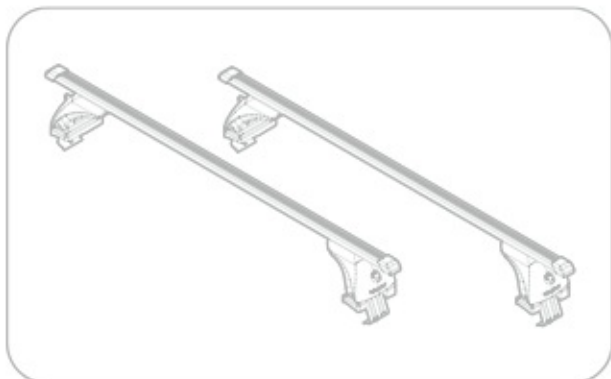
Art. **N15020**



**A**

**ACCIAIO**  
Steel

=



Art. **N15025**

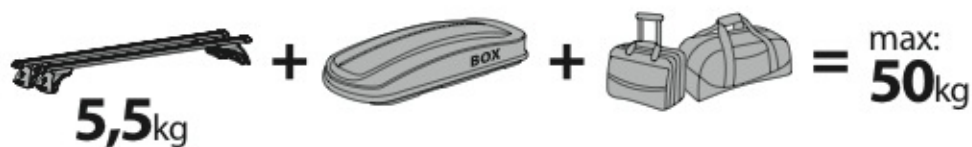


**A**

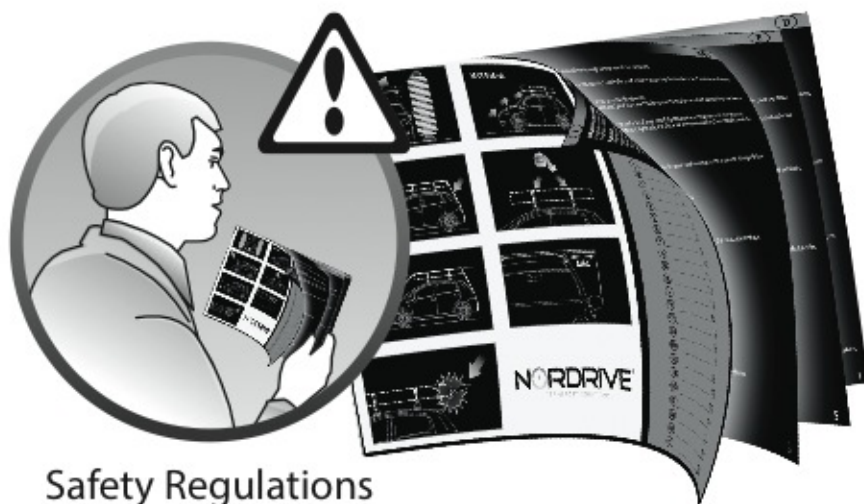
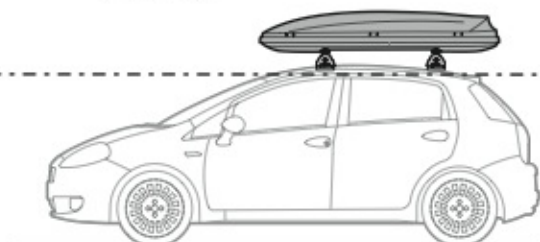
**ALLUMINIO**  
Aluminium

=

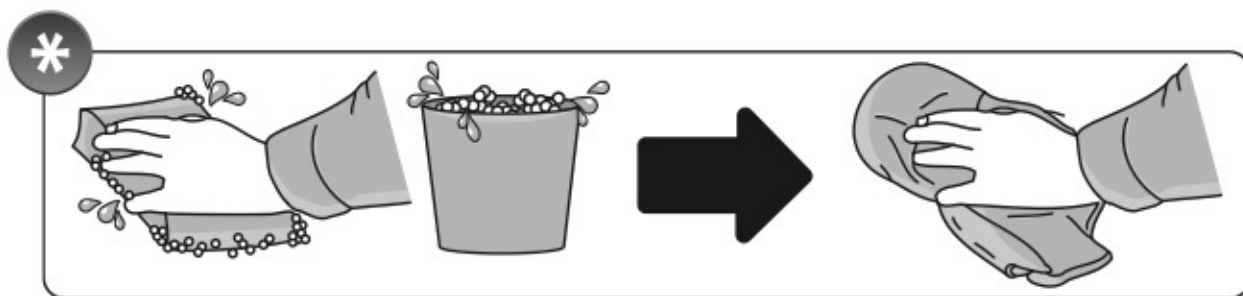
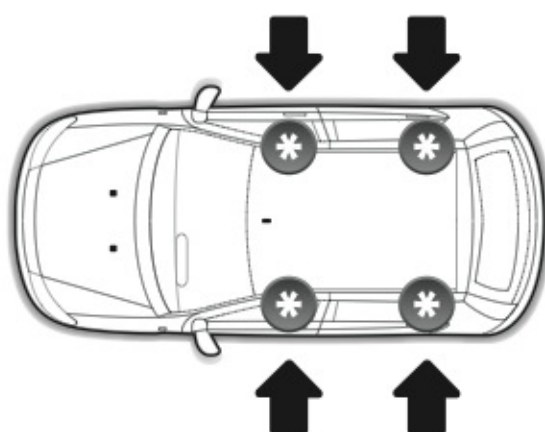




max: ???kg



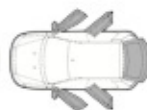
Safety Regulations





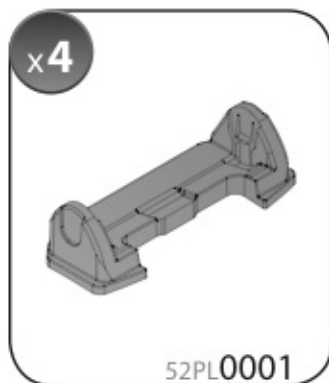
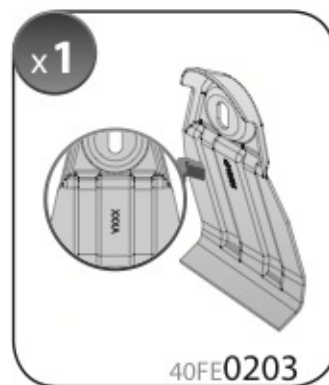
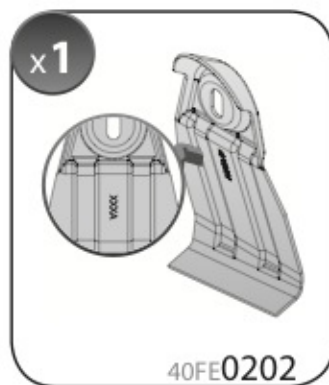
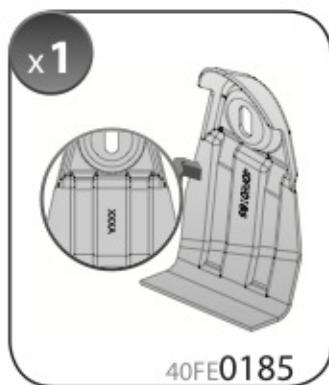
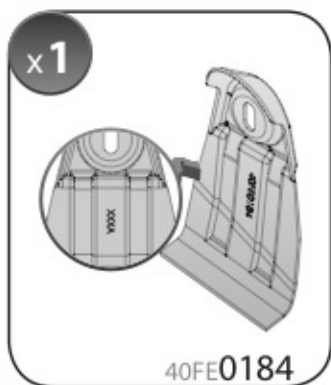
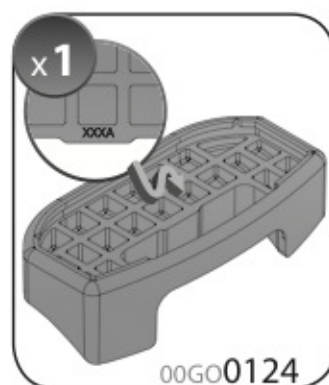
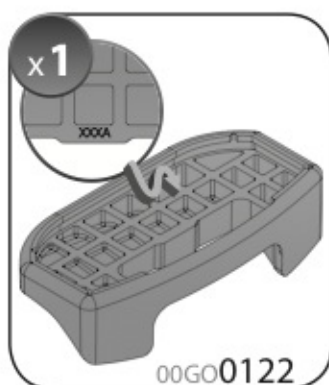
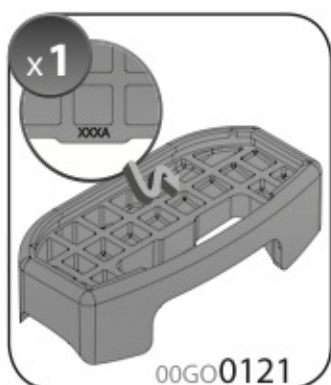
MAZDA 2

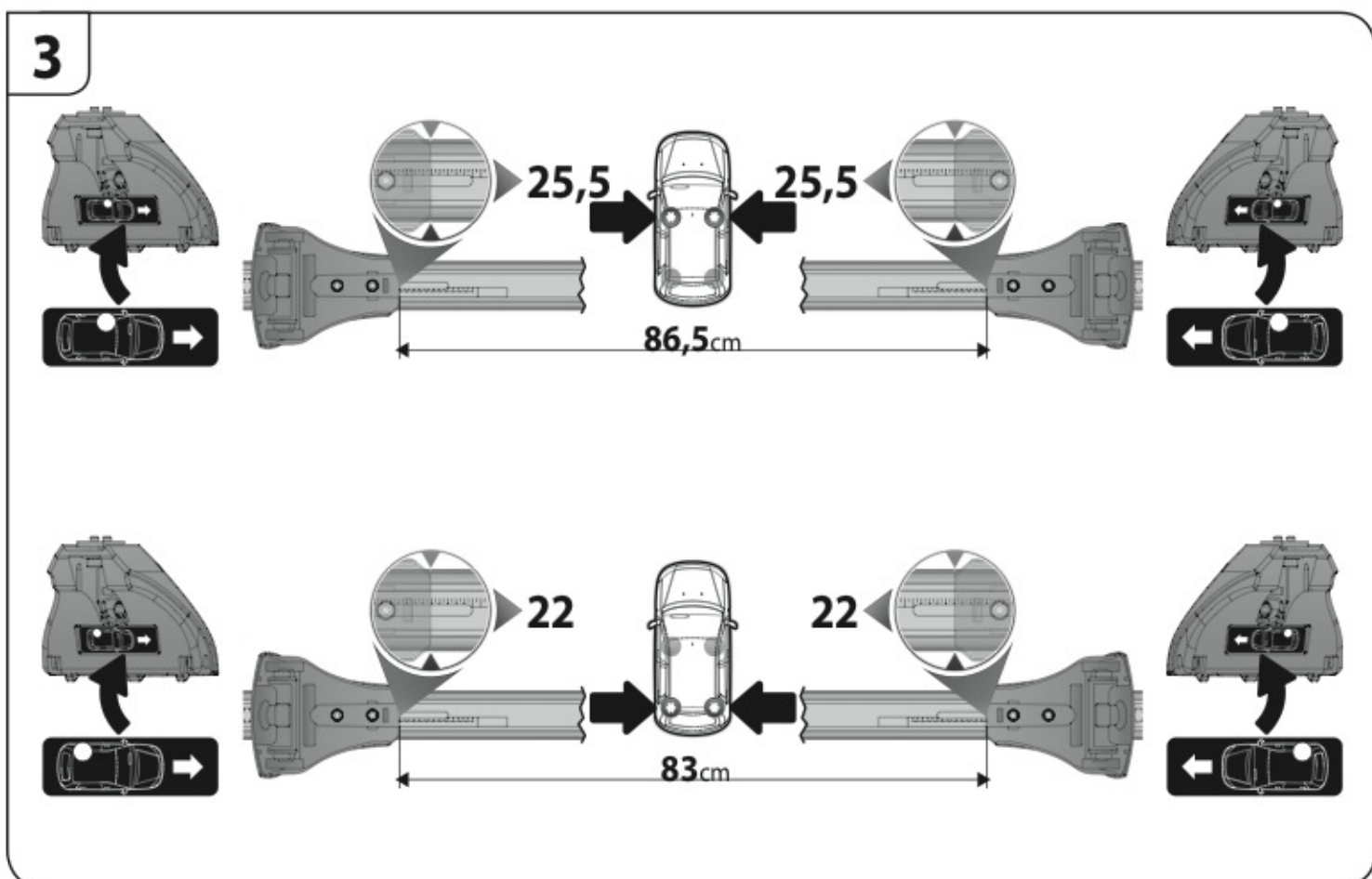
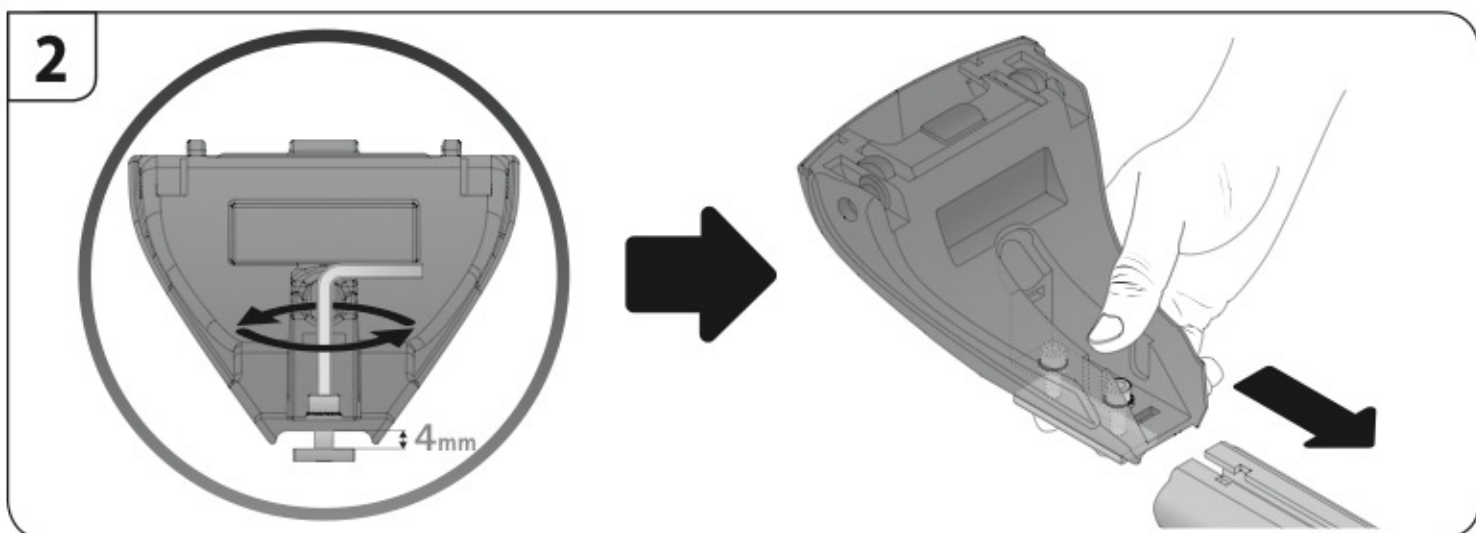
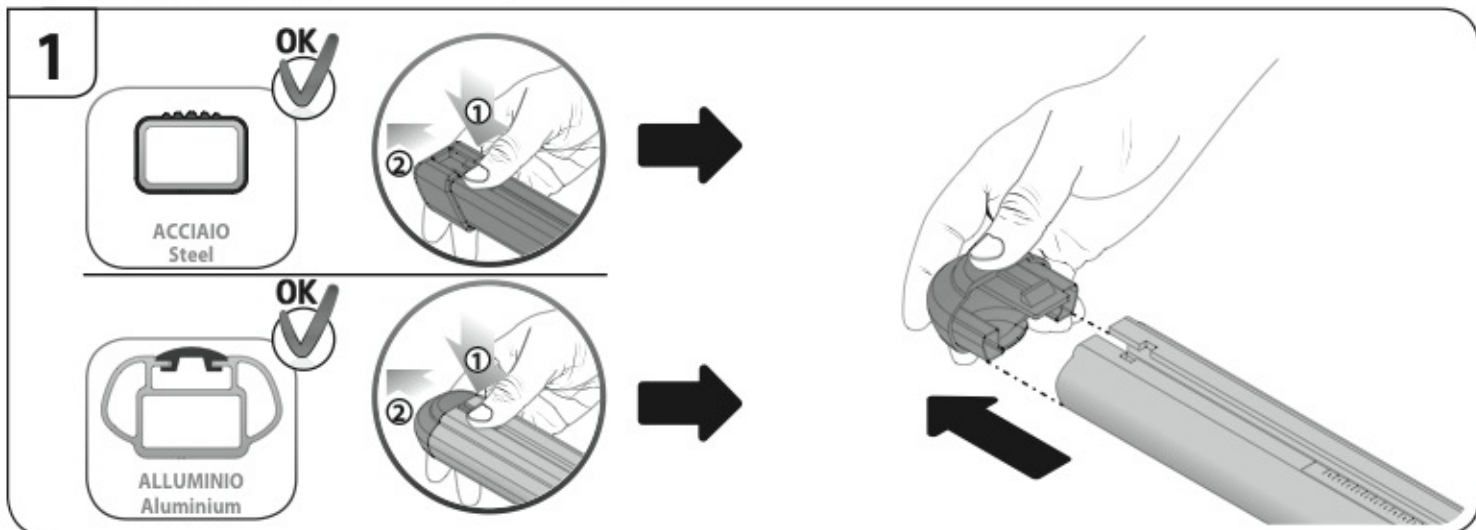
5



3/15

Art. **N21173**





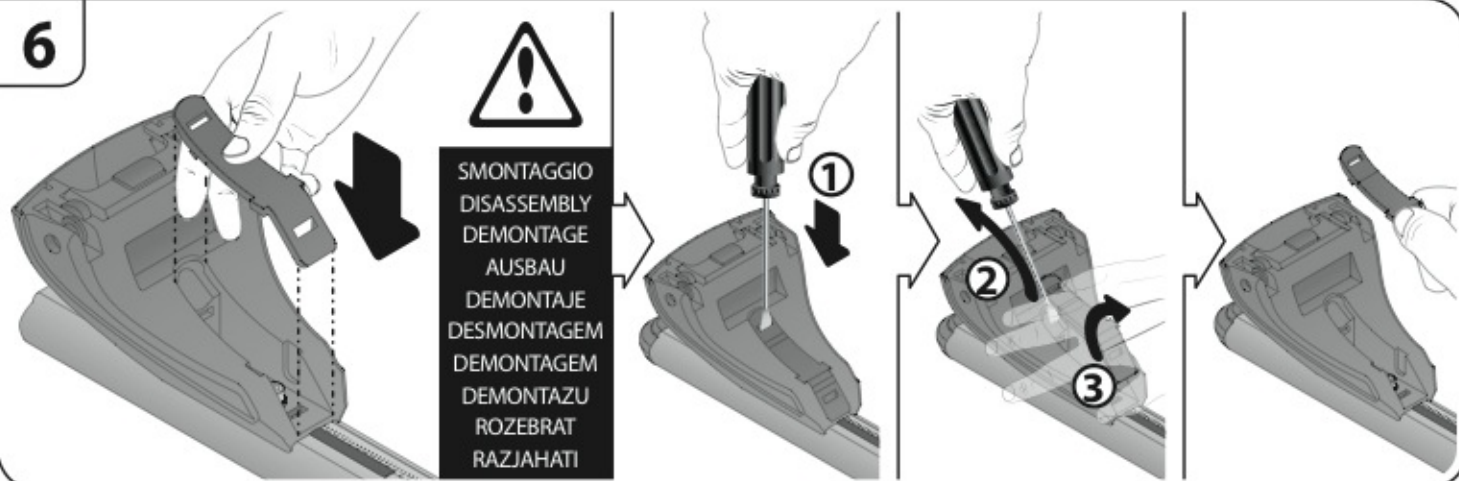
4



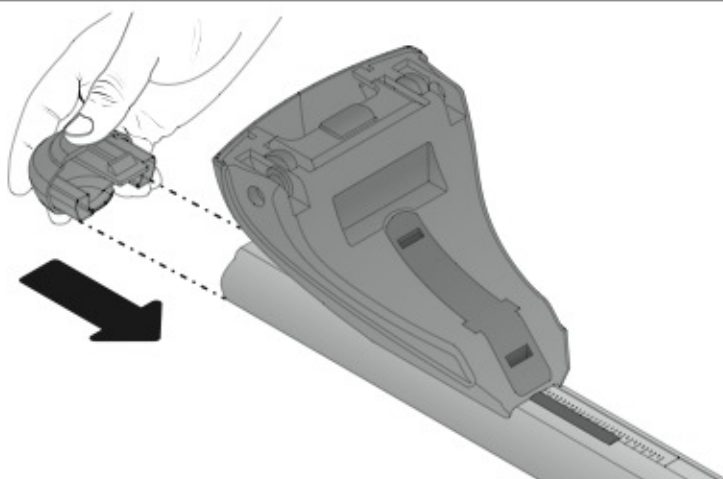
5



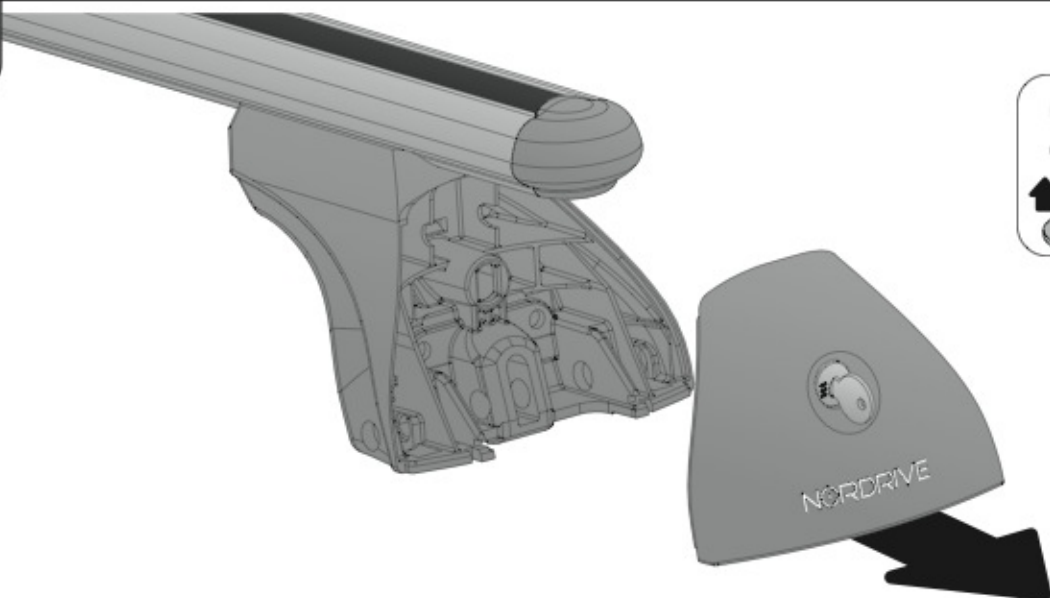
6



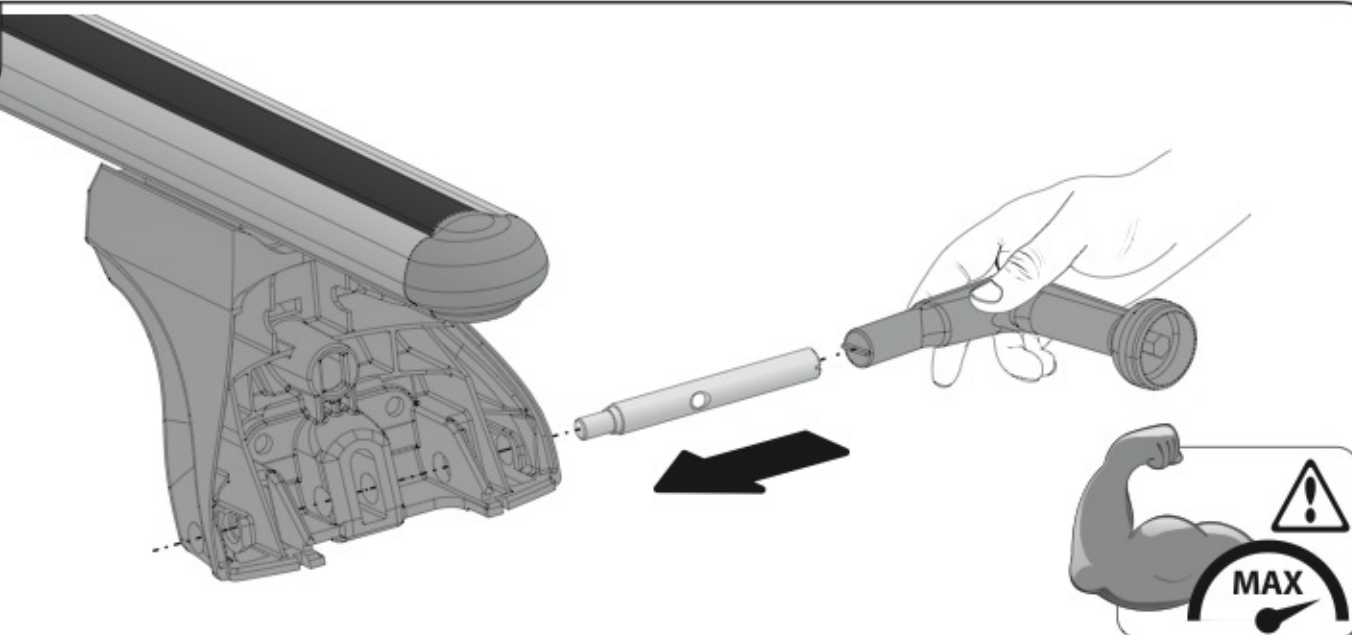
7



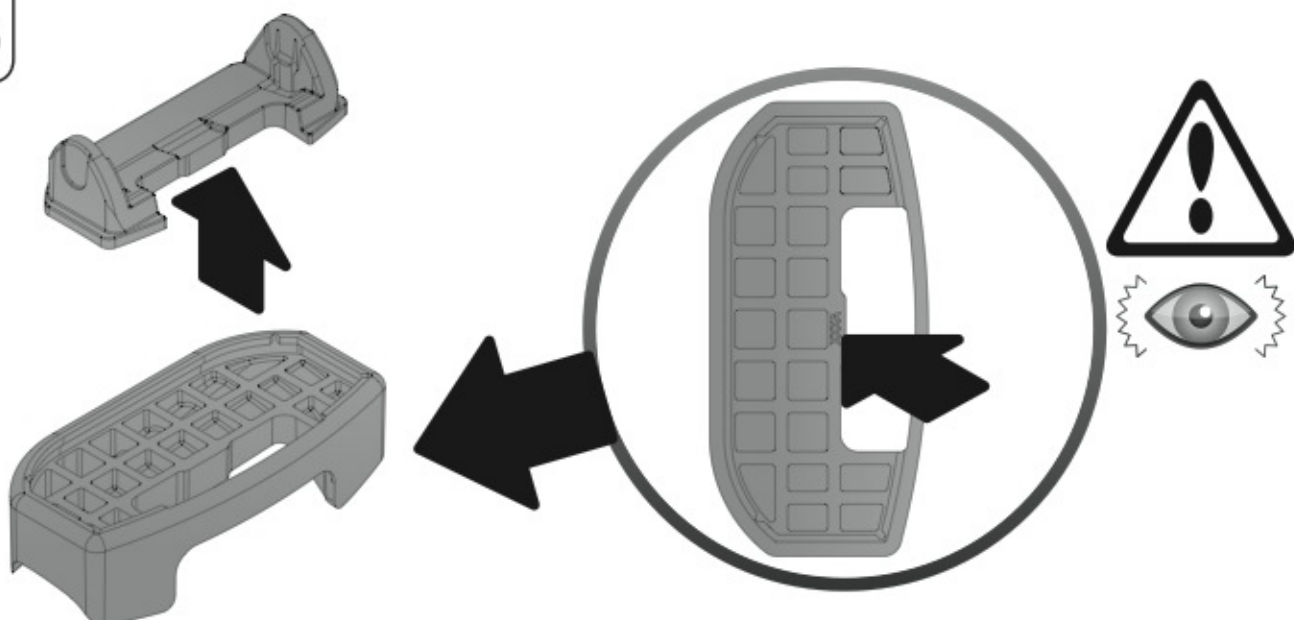
8



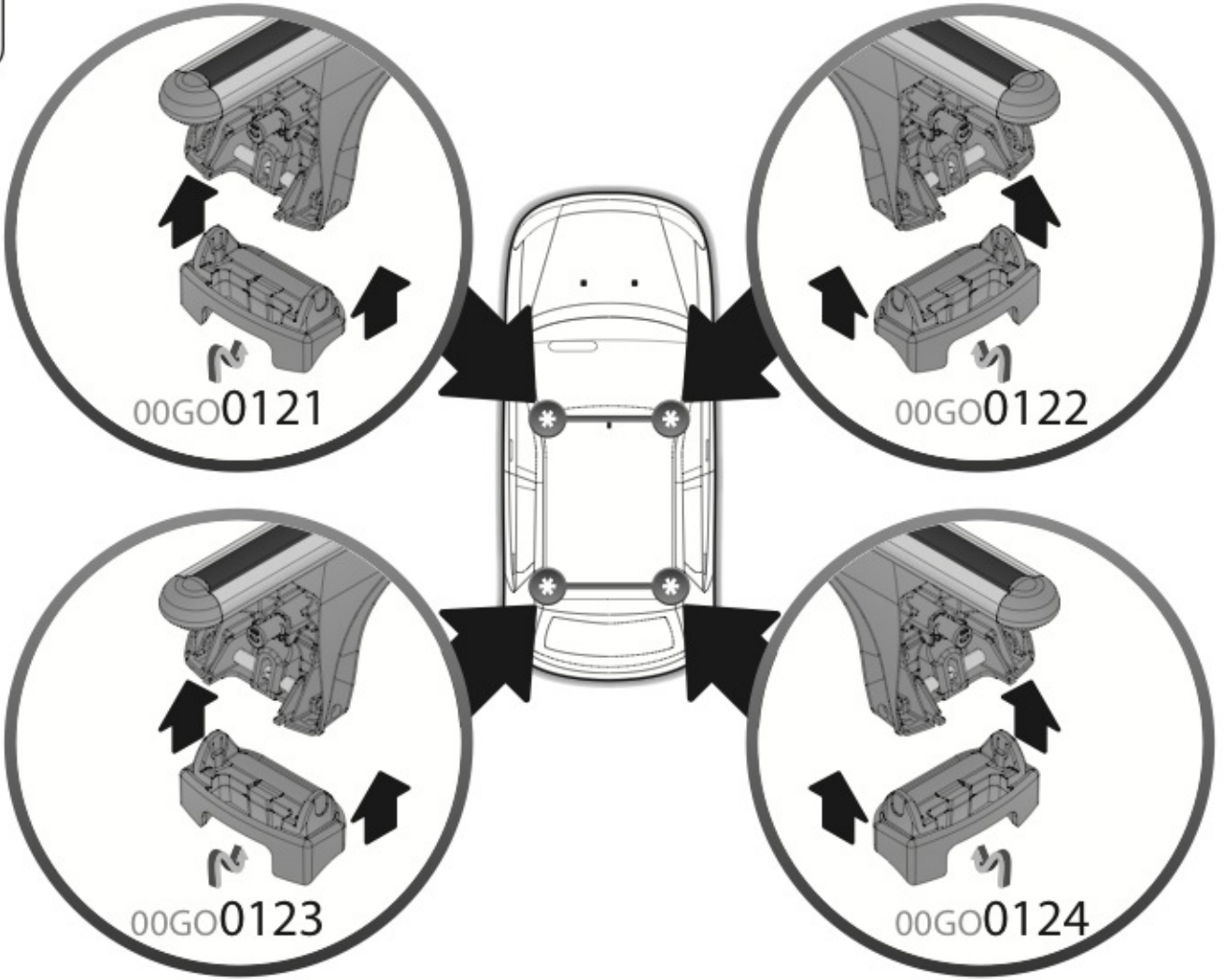
9



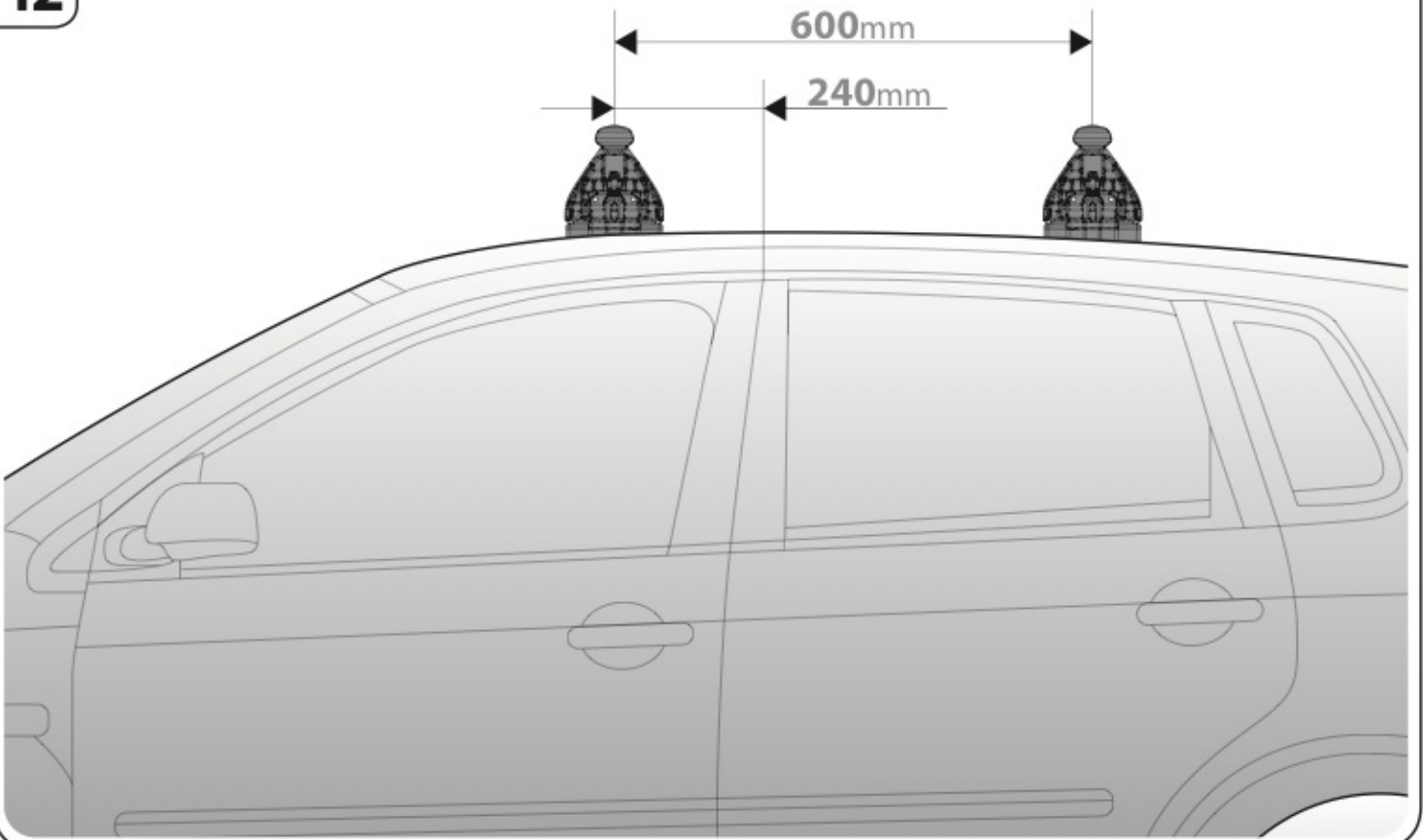
10



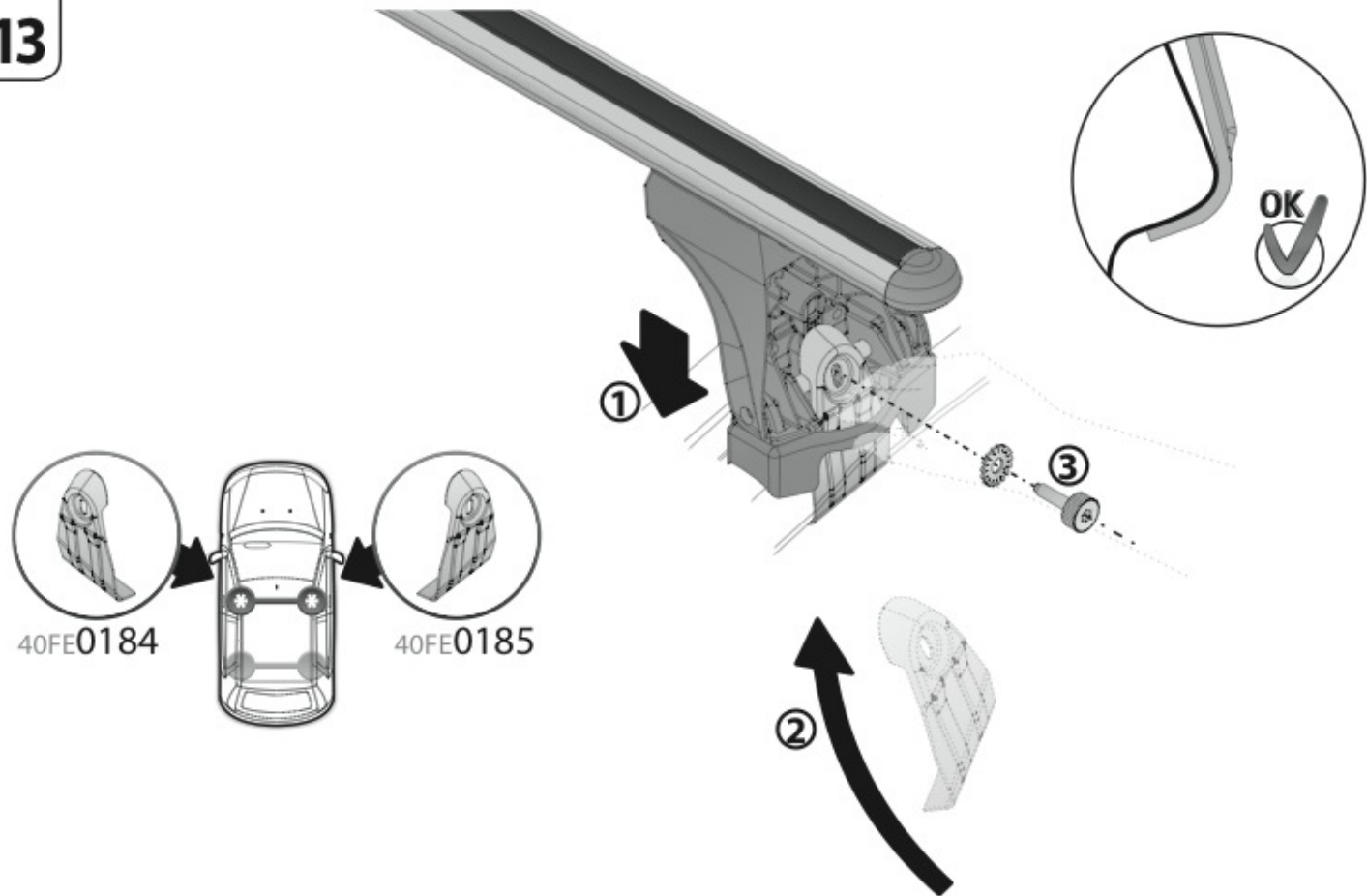
11



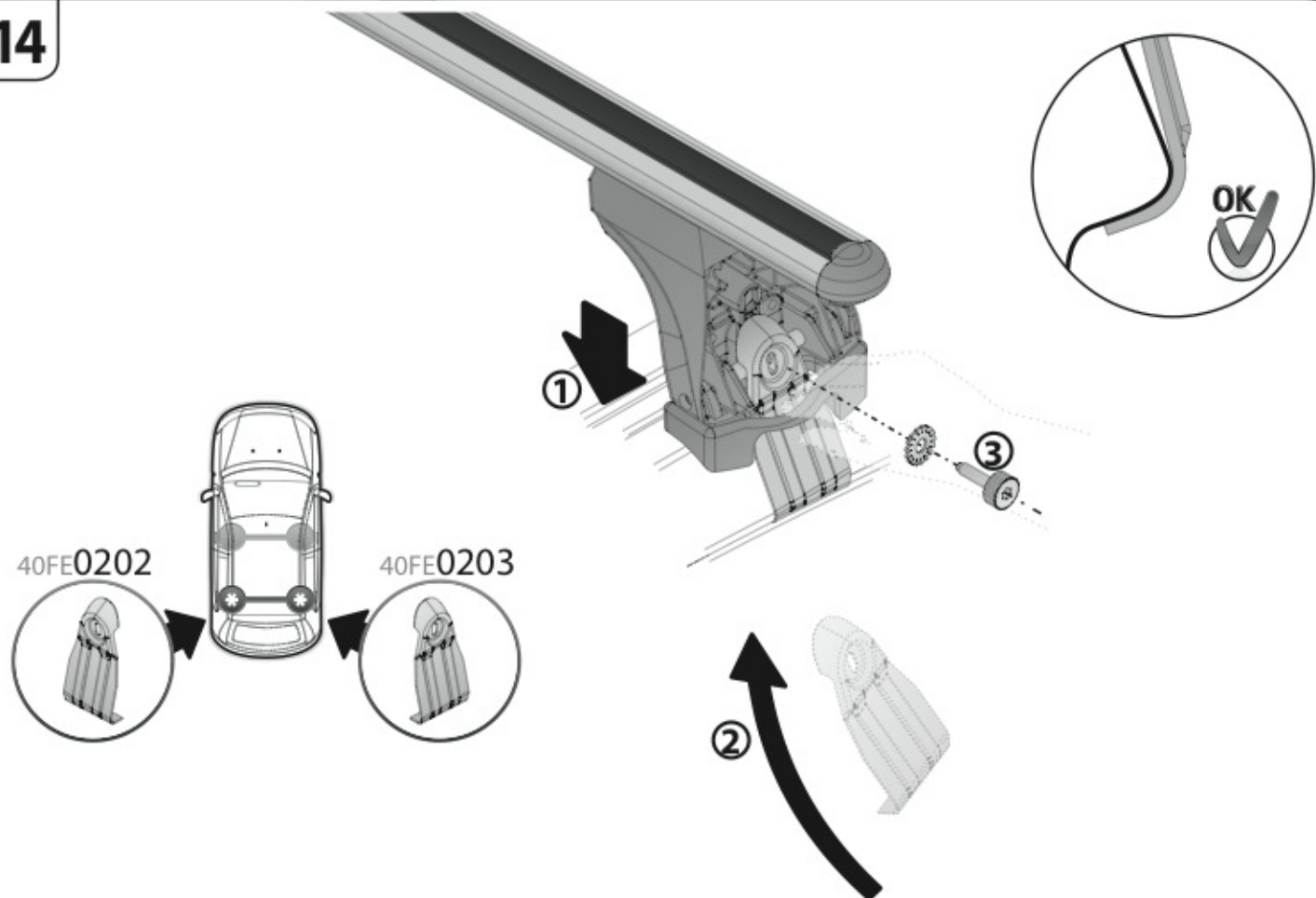
12



**13**

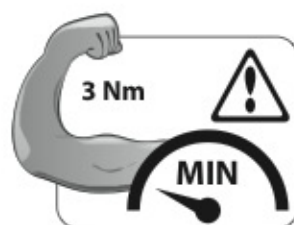
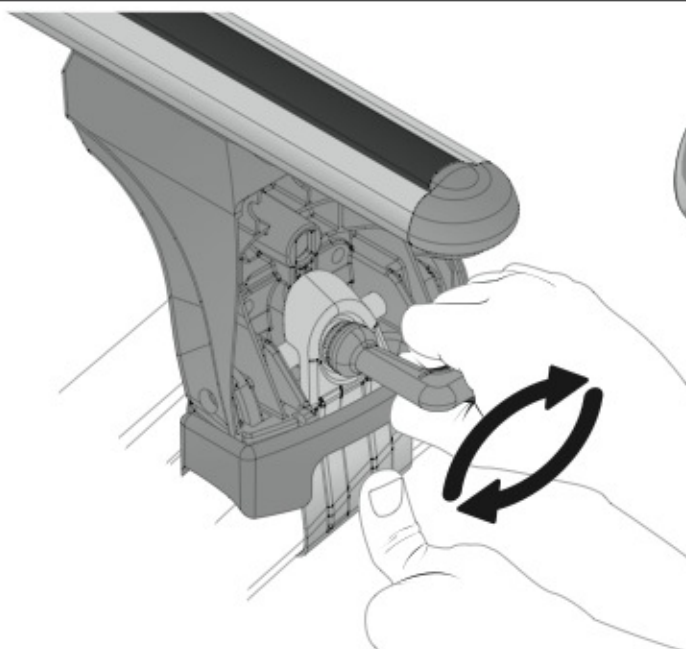
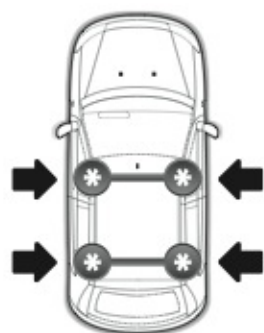


**14**

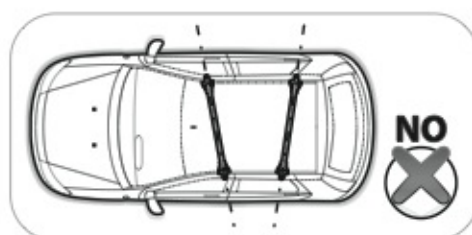
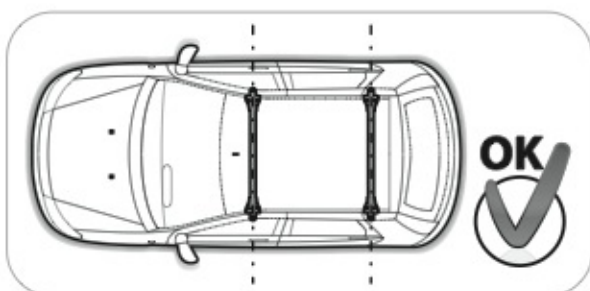
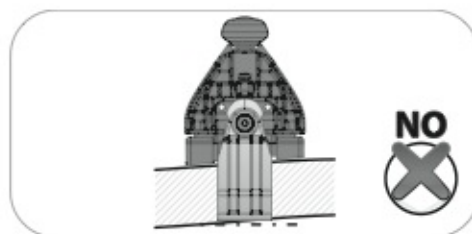
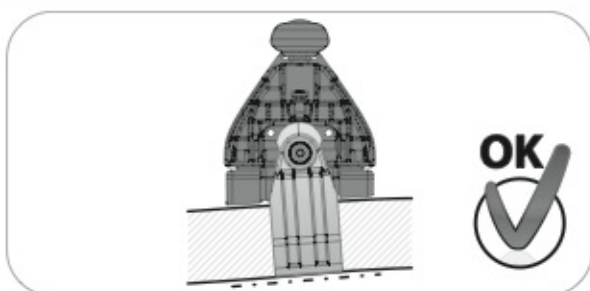




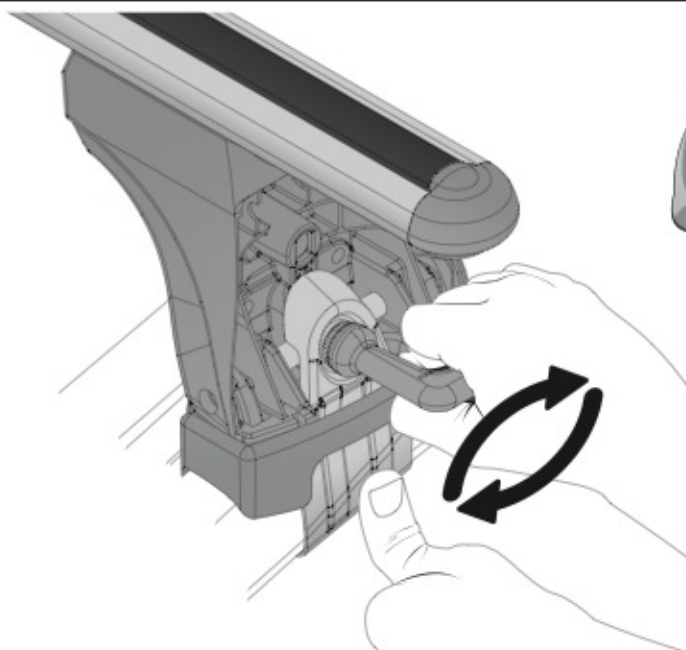
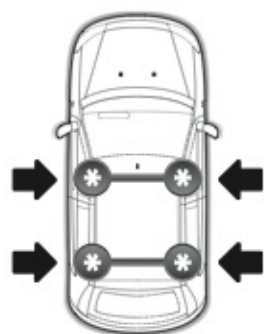
15



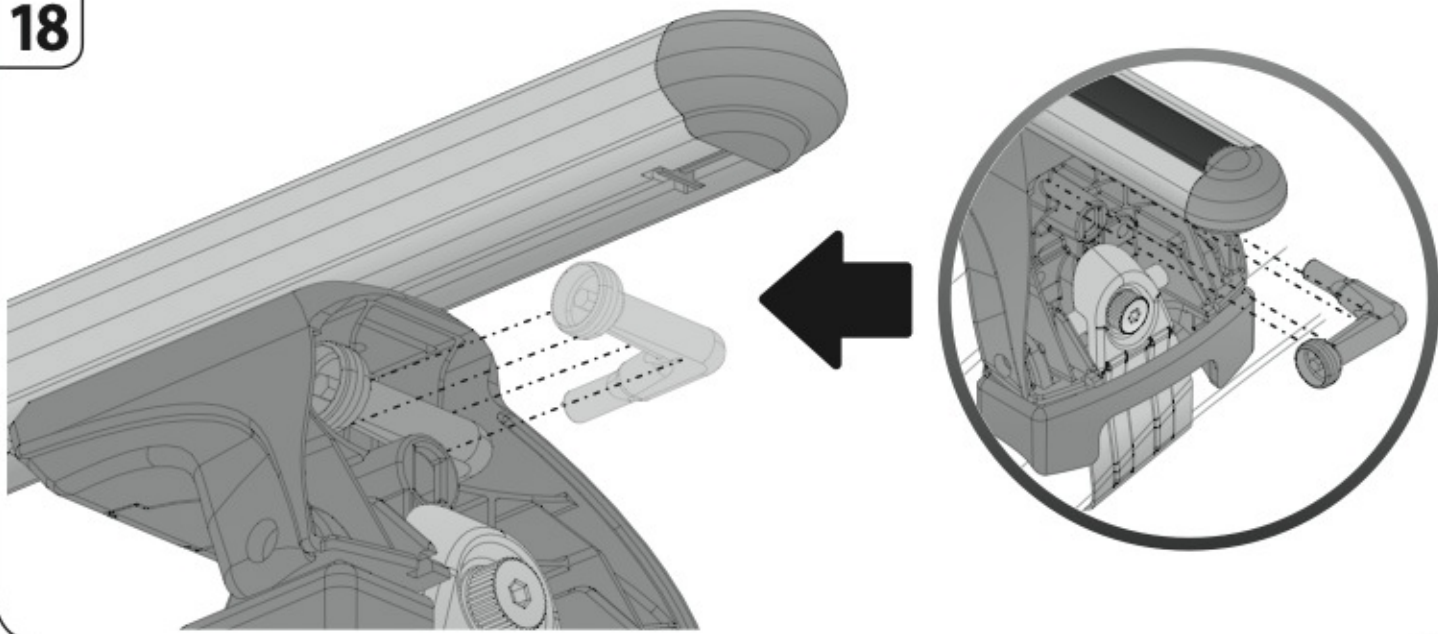
16



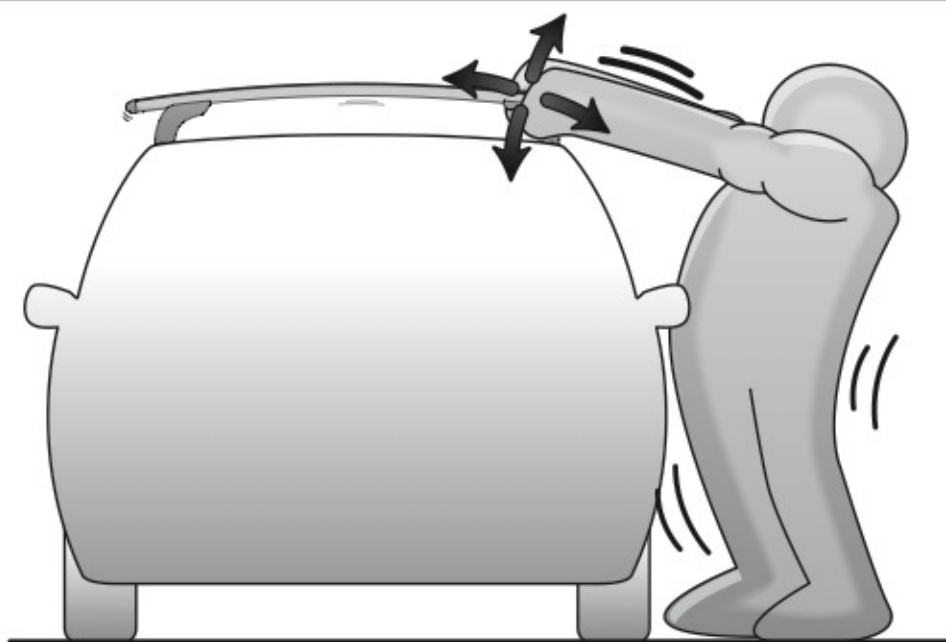
17



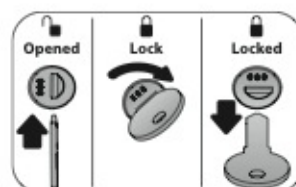
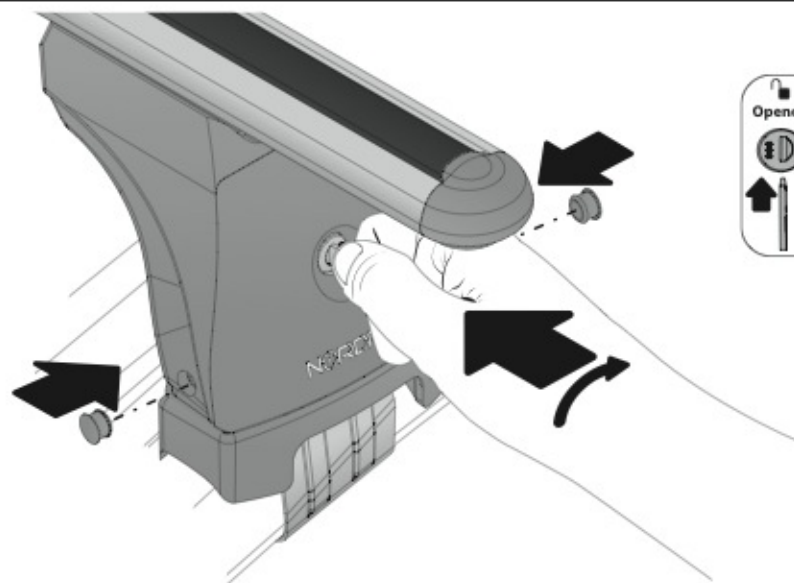
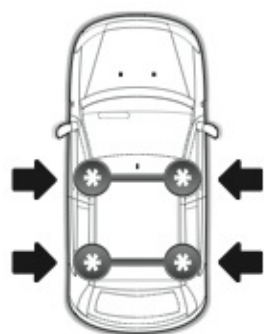
18



19



20





# EVOS

EVOLUZIONE ZERO SYSTEM

**NORDRIVE®**  
TRANSPORT SOLUTIONS

is a registered trade mark of

**LAMPA S.p.A.**

46019 Viadana (MN) ITALY

Ditta certificata UNI EN ISO 9001:2008

[www.nordrive.it](http://www.nordrive.it)

[www.lampa.it](http://www.lampa.it)