

# EVOS

## NORDRIVE<sup>®</sup>

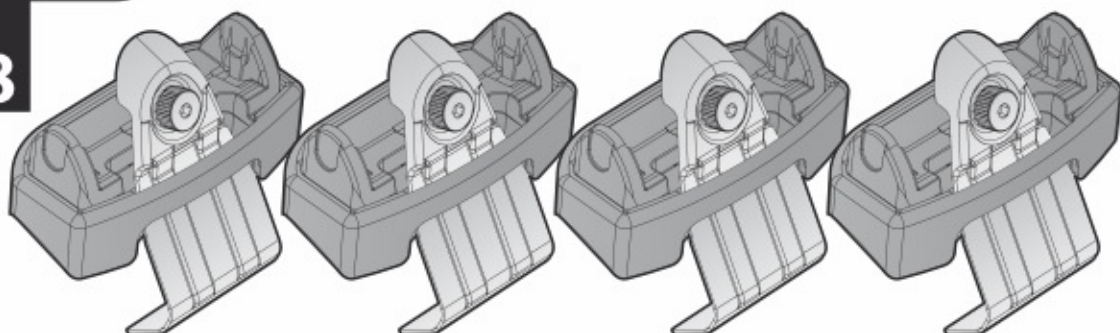
TRANSPORT SOLUTIONS

RENAULT  
ESPACE

5/15 →



Art.  
**N21178**



**C**

+

Art. **N20001**



**B**

+

Art. **N15022 XL**



**A**

ACCIAIO  
Steel

=



Art. **N15027 XL**






**A**

ALLUMINIO  
Aluminium

=



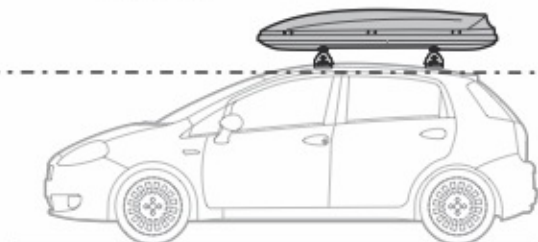


 +  +  = max: **75kg**

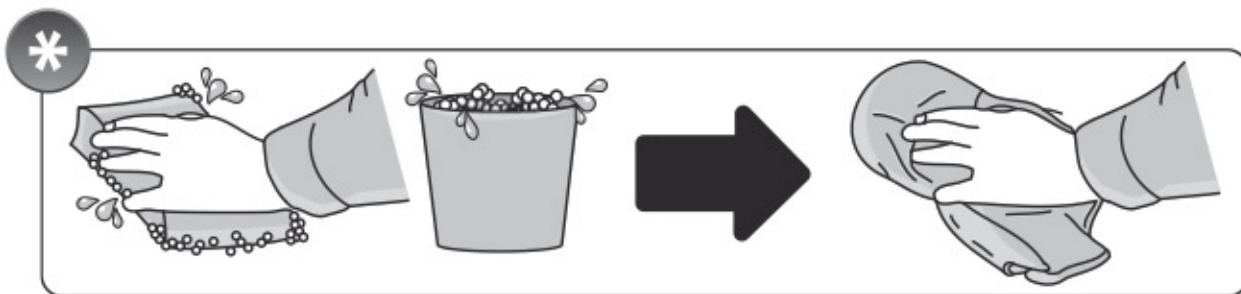
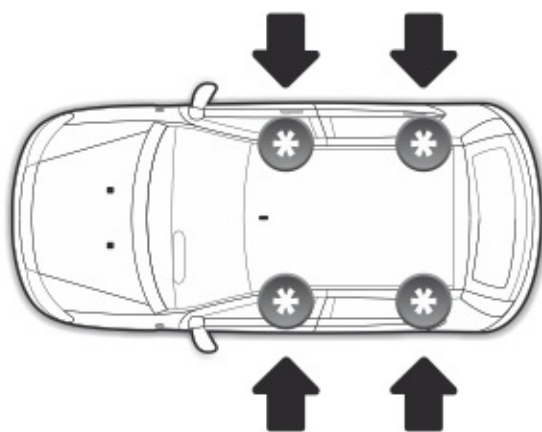
5,5kg



max: **???**kg



Safety Regulations

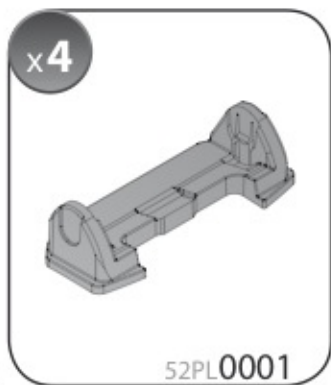
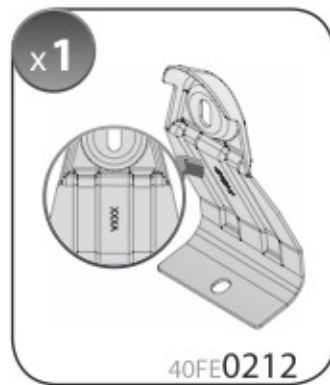
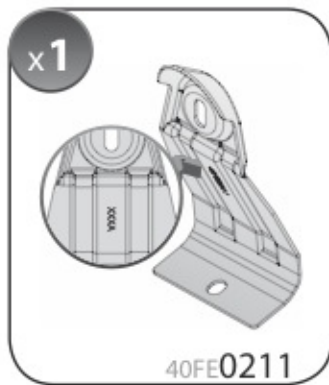
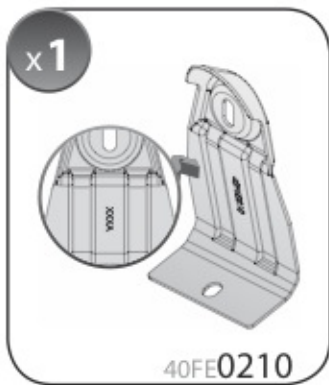
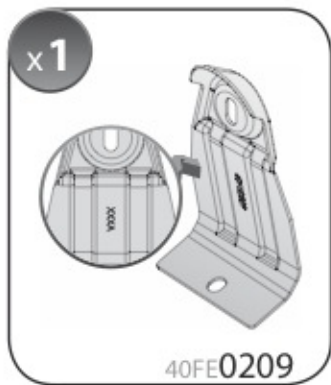
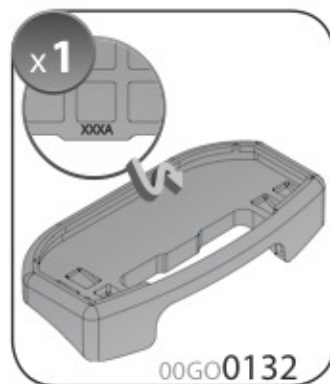
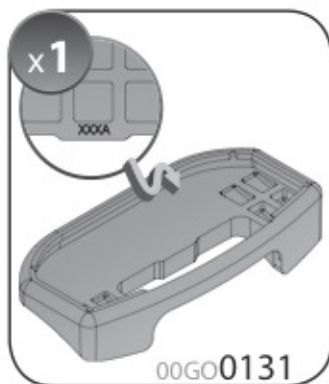
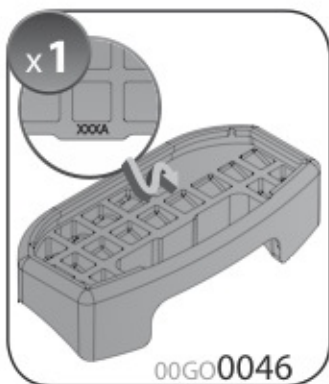
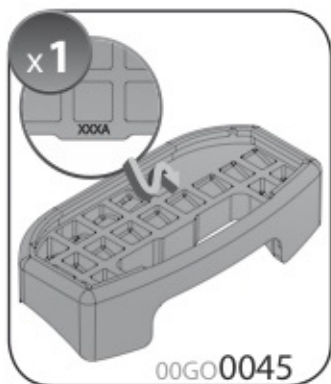
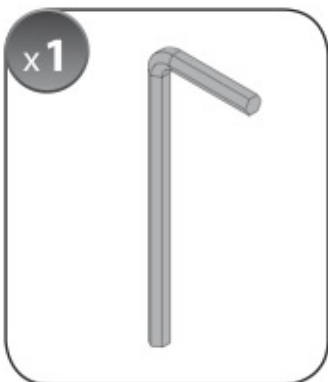


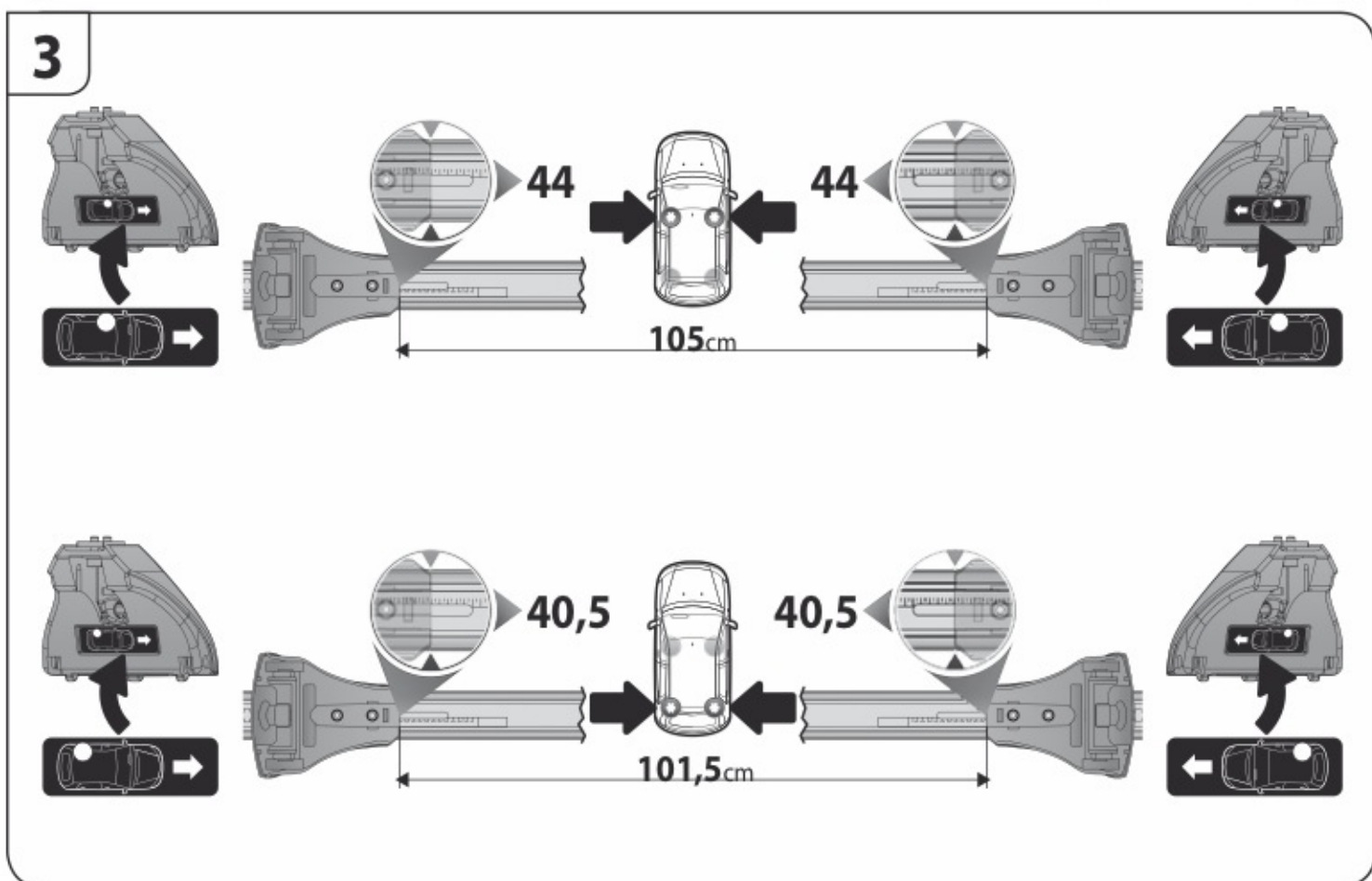
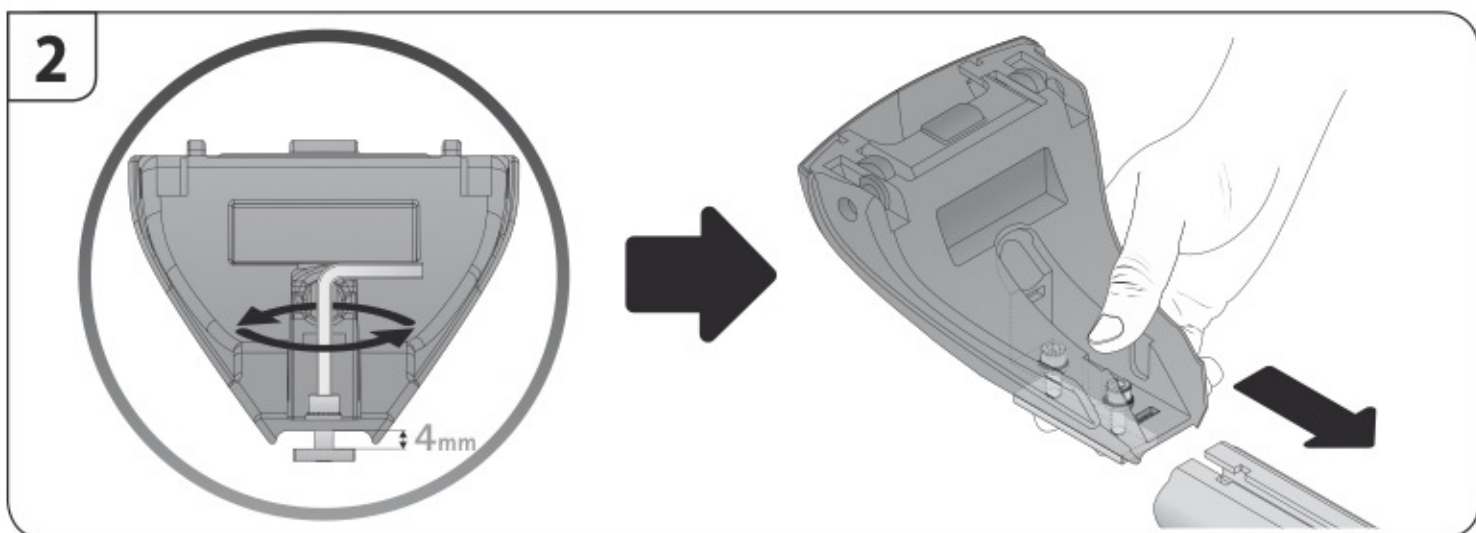
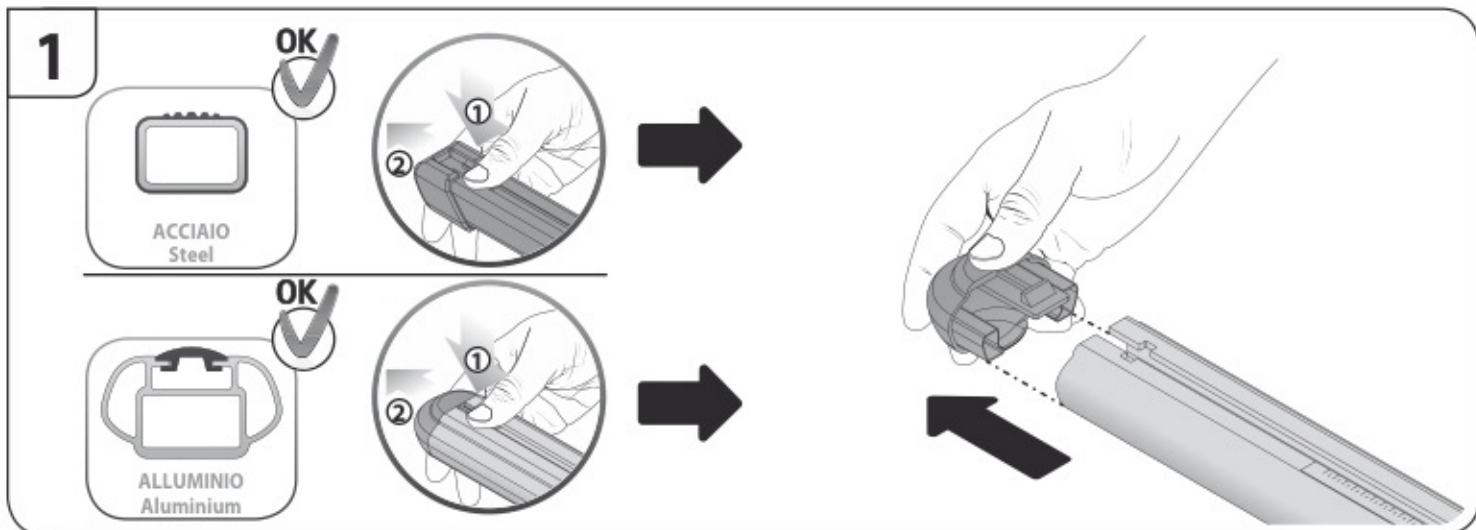


RENAULT  
ESPACE

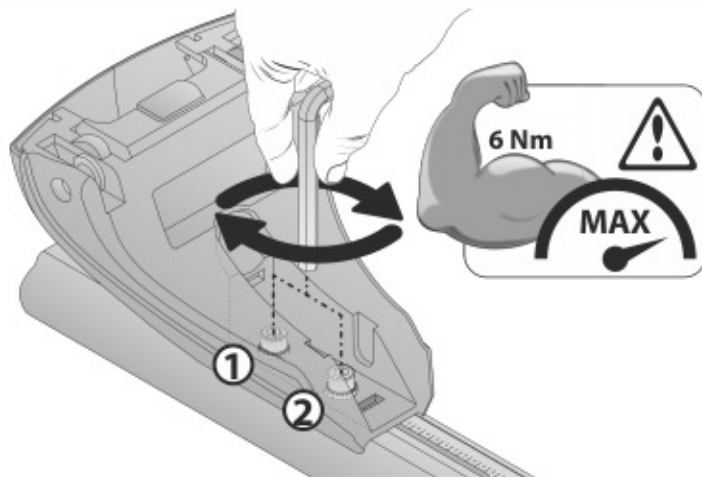
5/15 →

Art. **N21178**

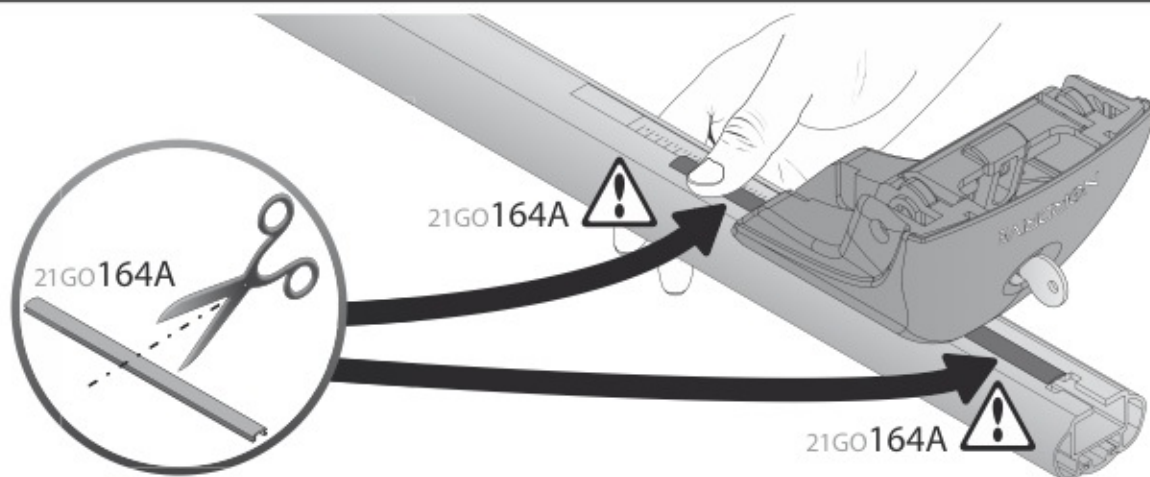




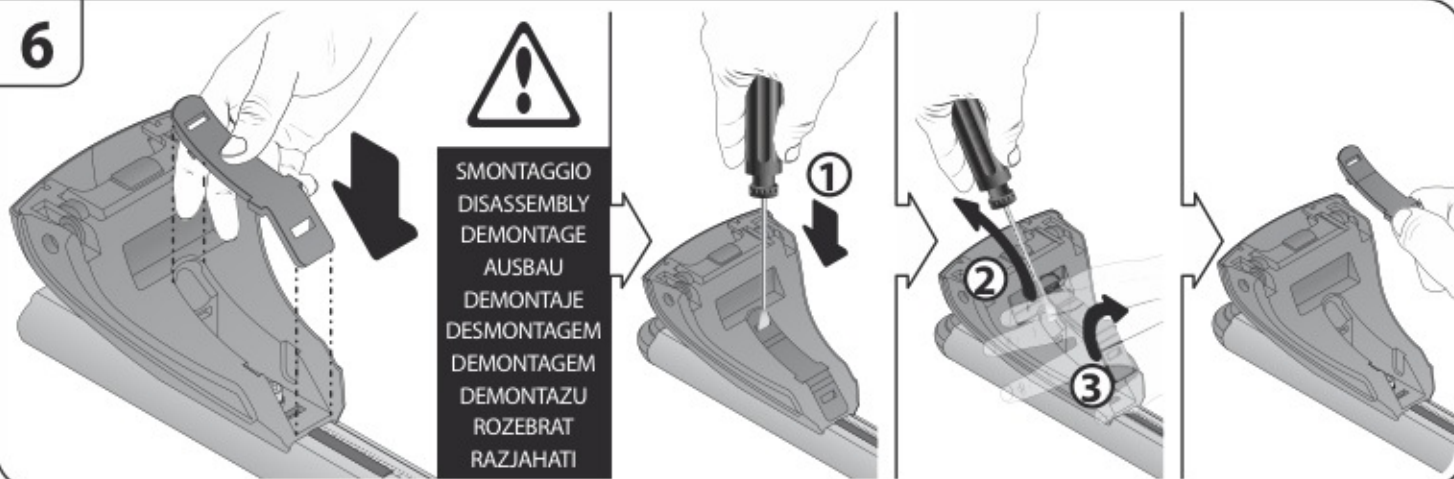
4



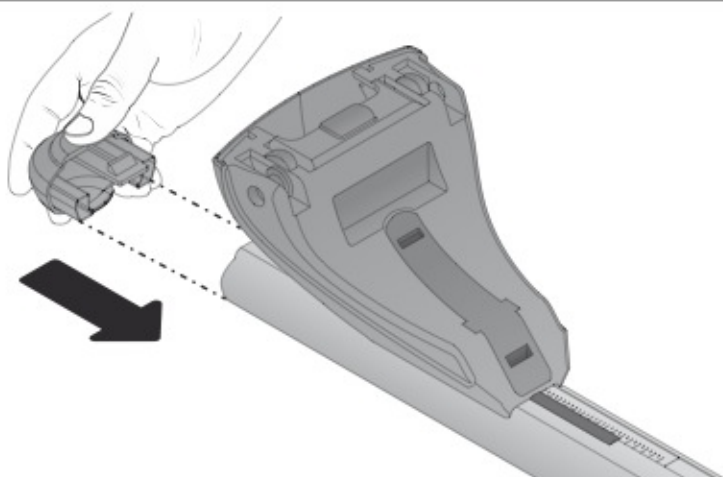
5

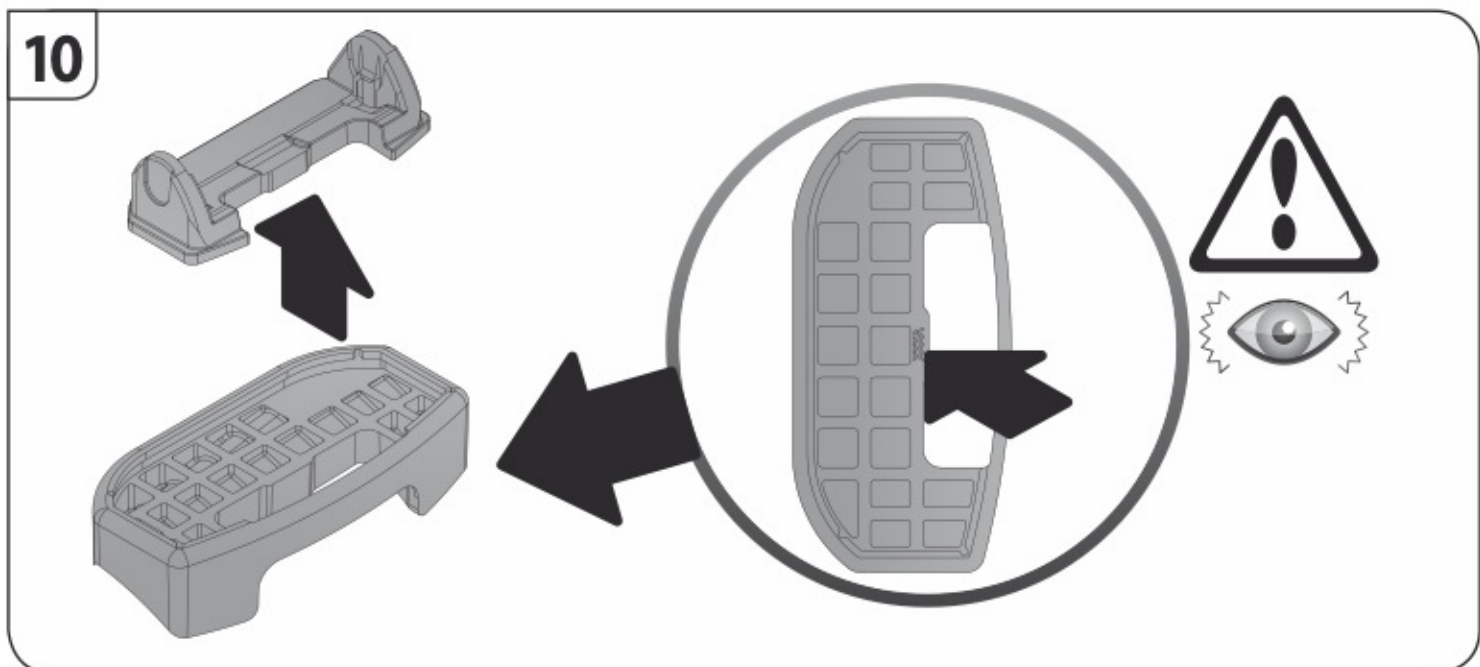
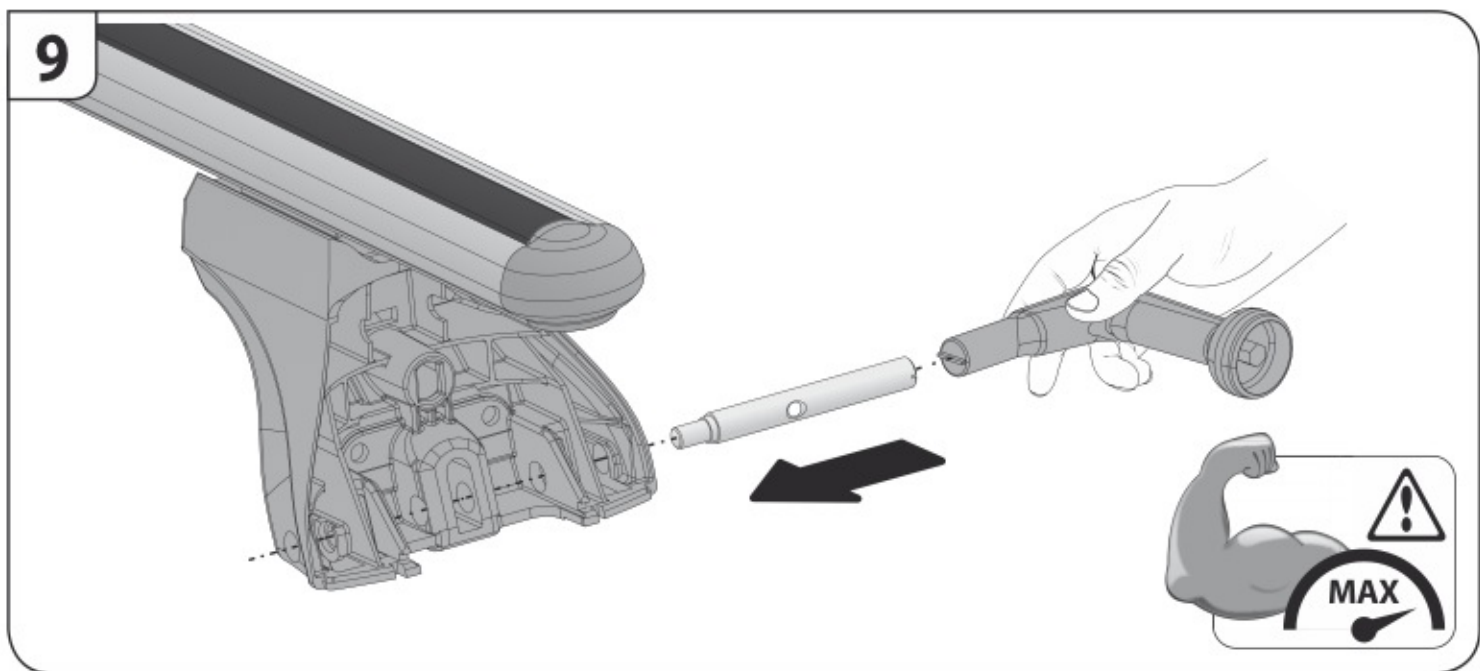
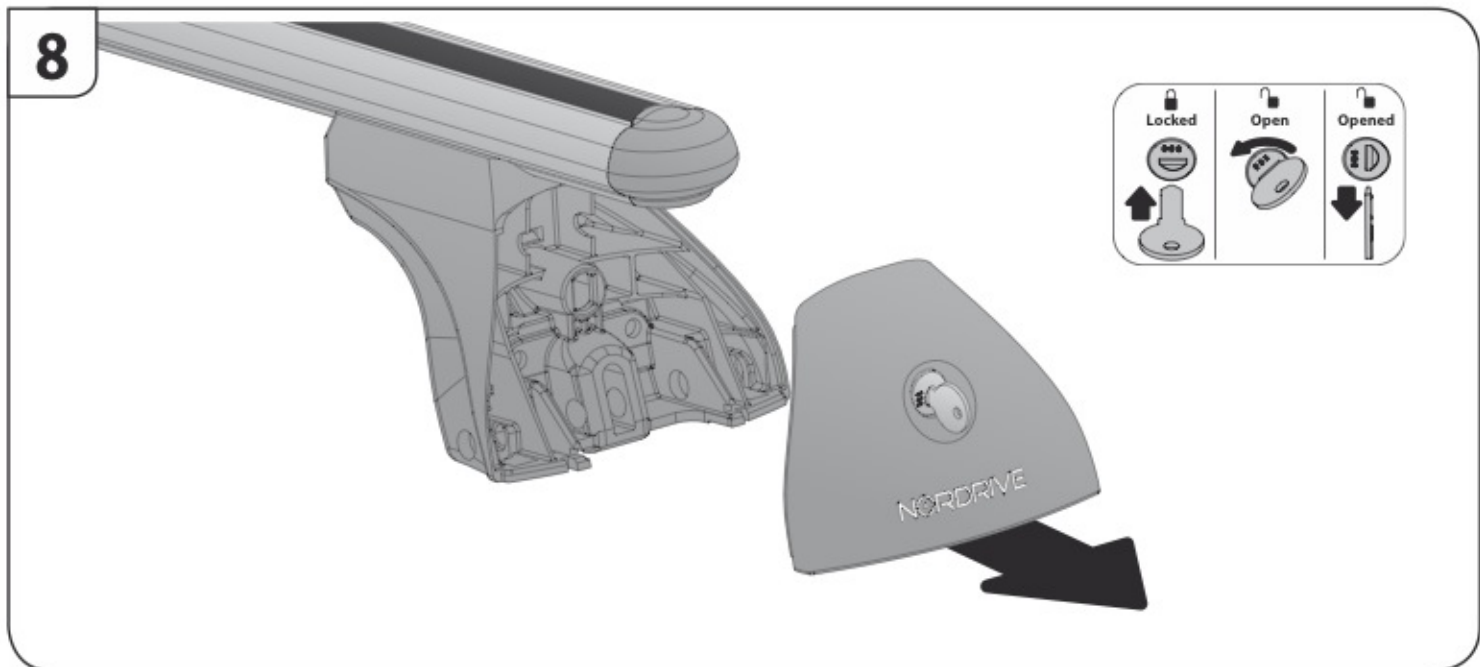


6

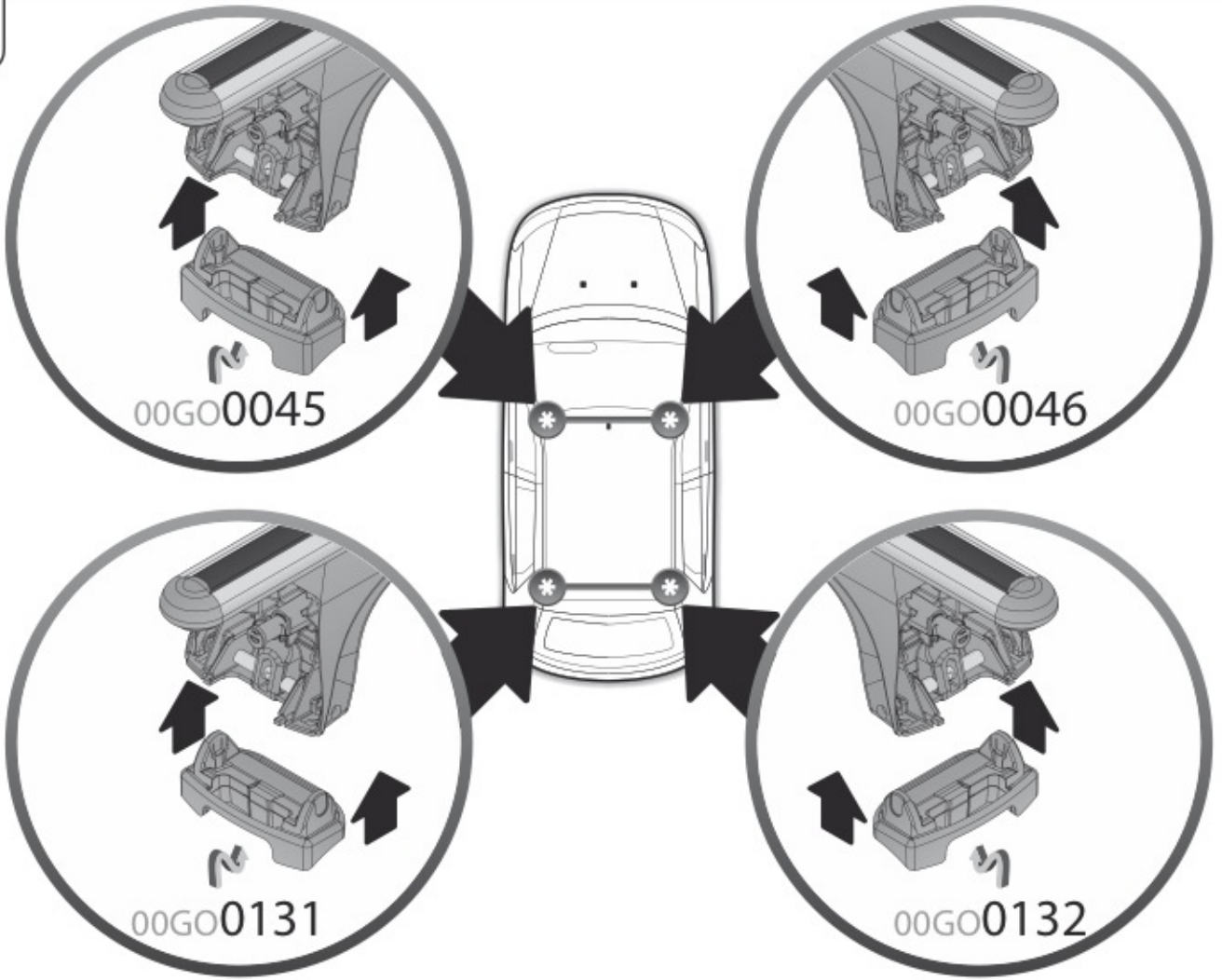


7

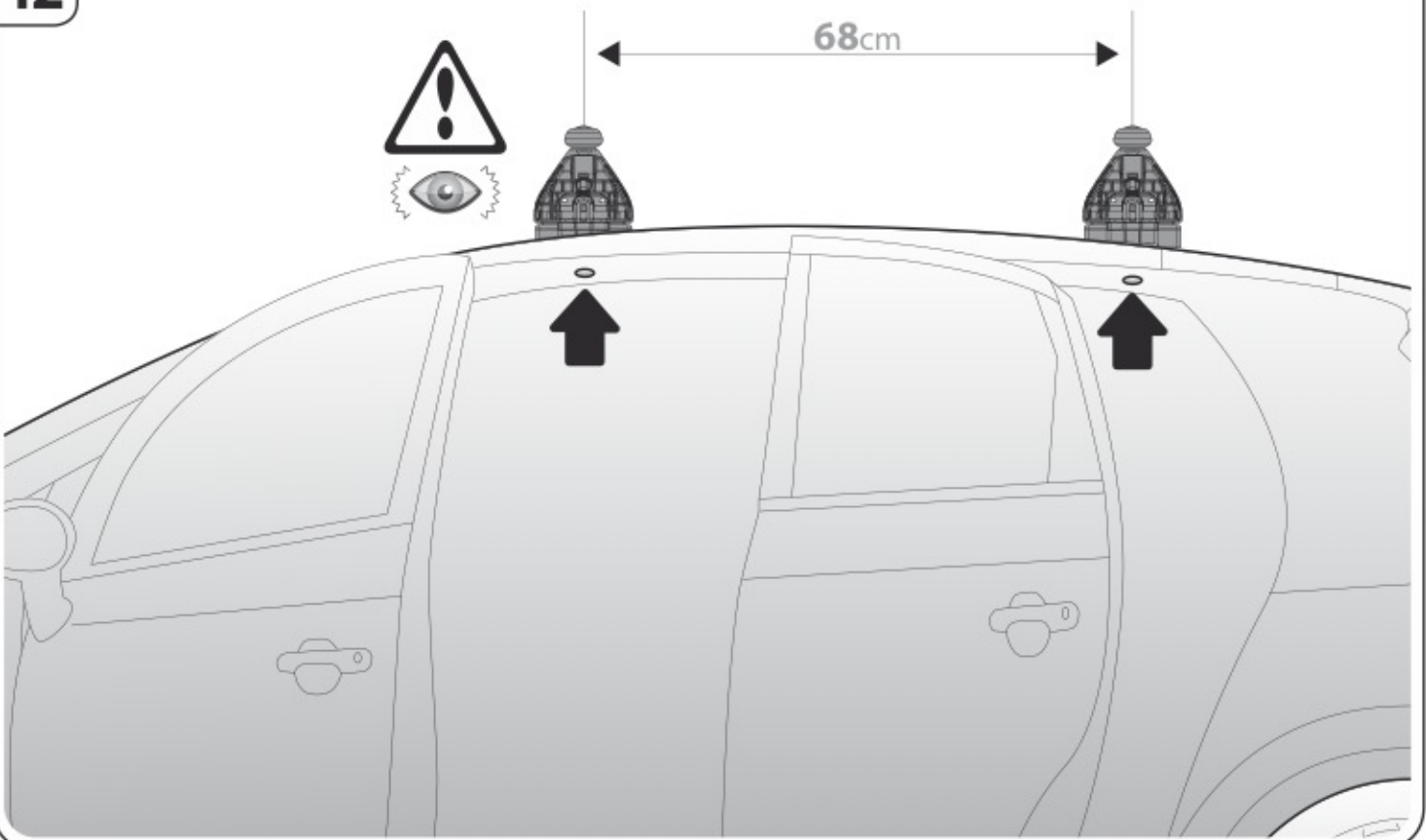




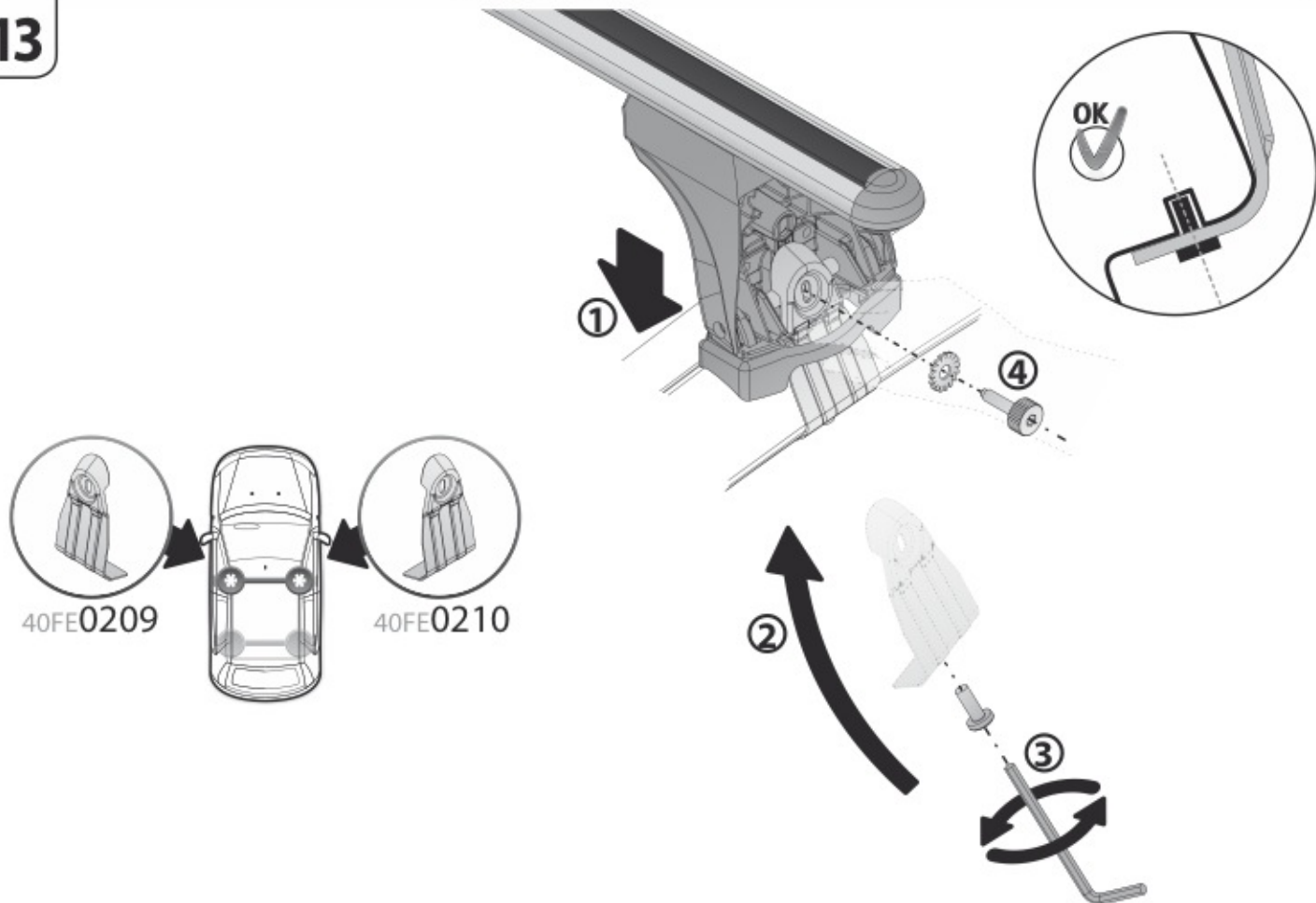
11



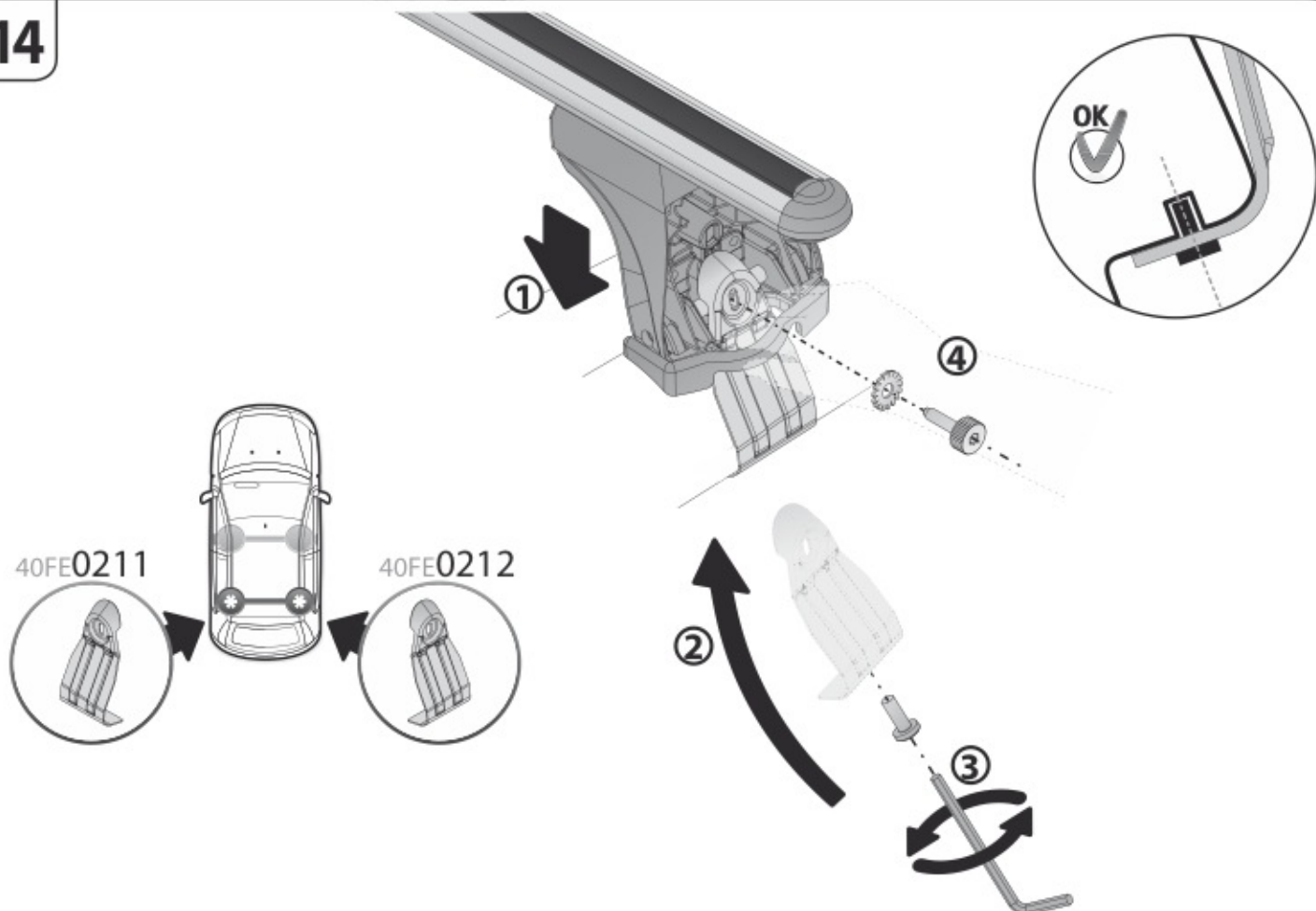
12



13

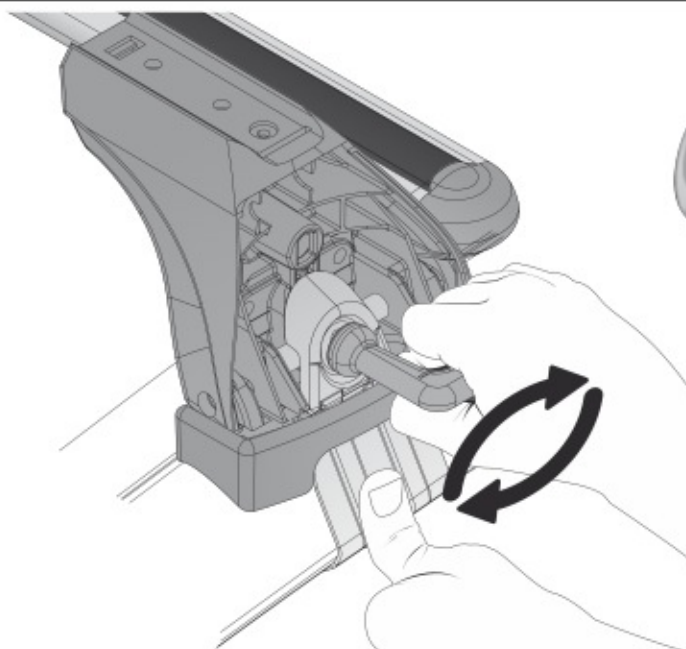
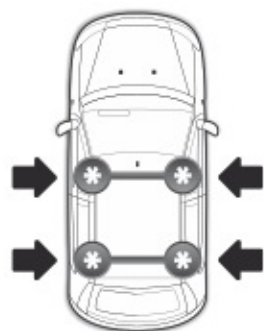


14

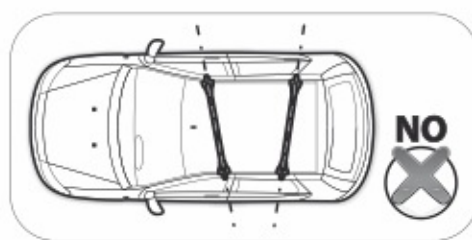
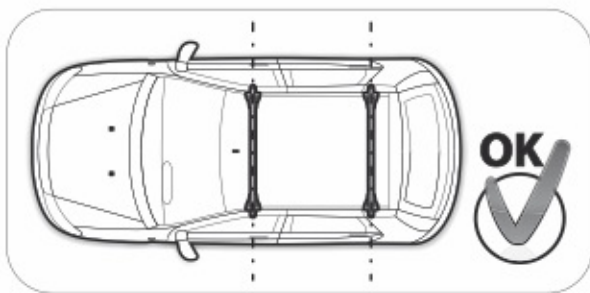
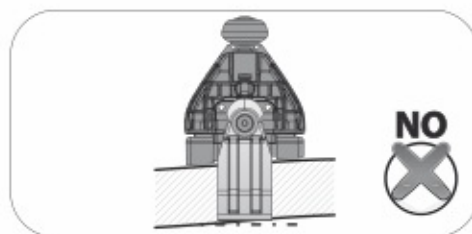
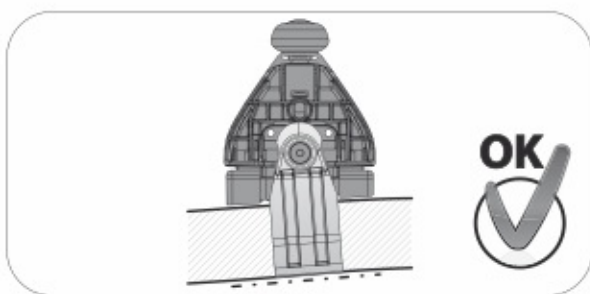




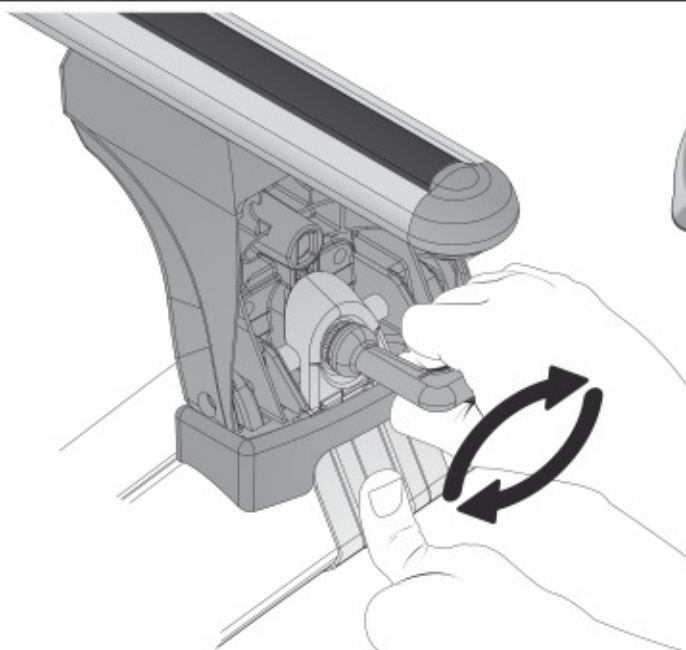
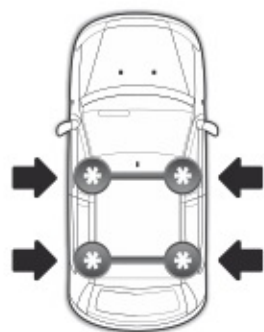
15



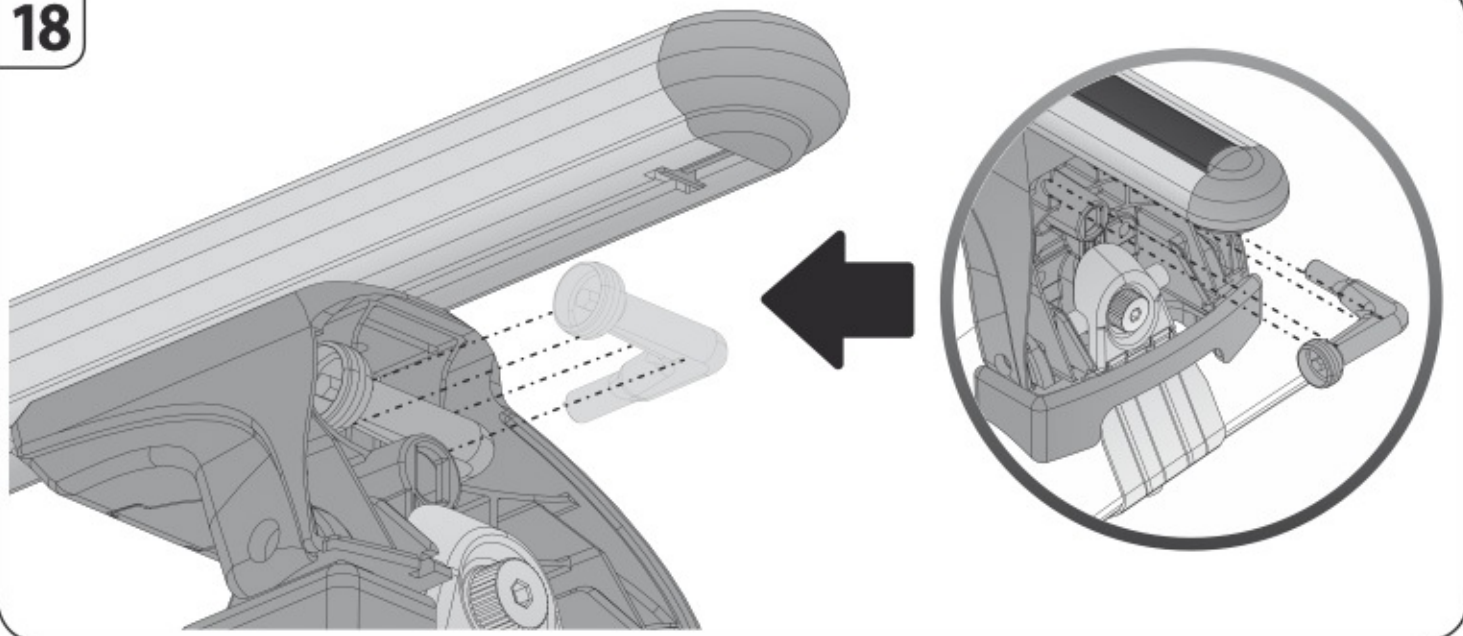
16



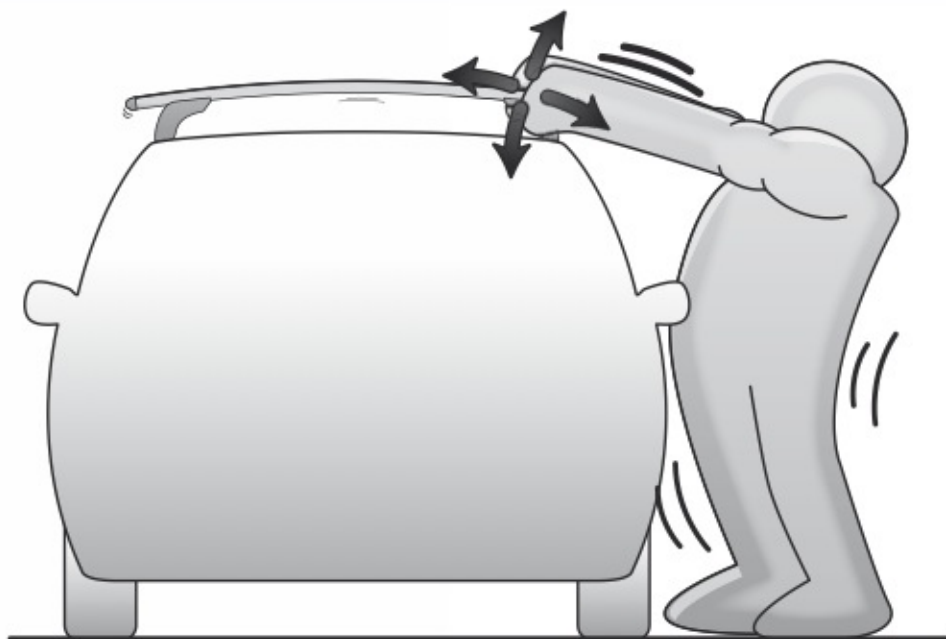
17



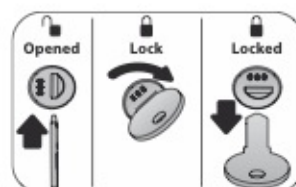
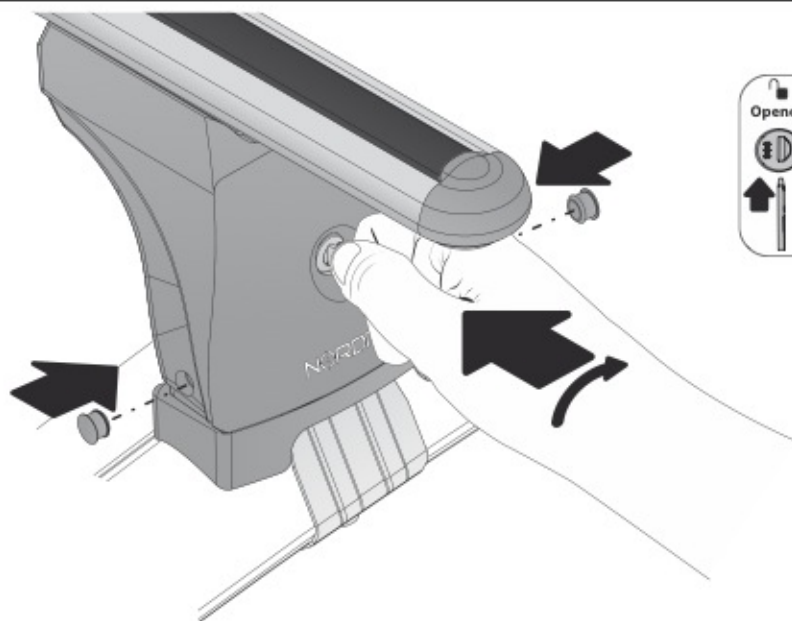
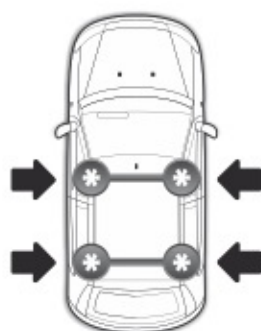
18



19



20





# EVOS

**NORDRIVE**<sup>®</sup>  
TRANSPORT SOLUTIONS

is a registered trade mark of

**LAMPA S.p.A.**

Via G. Rossa 53/55, 46019 Viadana (MN) ITALY

Tel. +39 0375 820700

UNI EN ISO 9001:2008 Certified Company

**[www.nordrive.it](http://www.nordrive.it)**

**[www.lampa.it](http://www.lampa.it)**