

EVOS

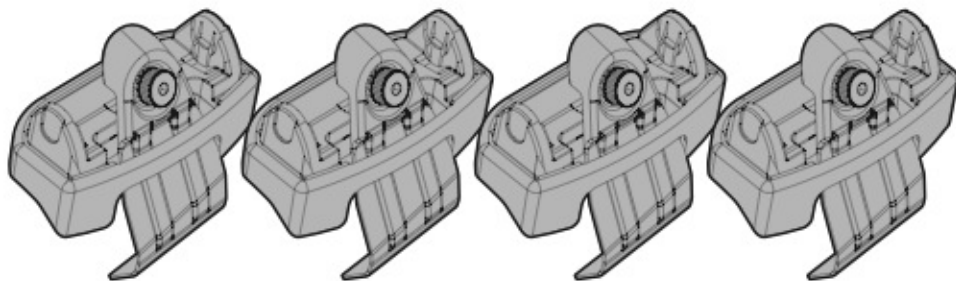
NORDRIVE[®]

TRANSPORT SOLUTIONS

MAZDA CX-5

06/17 →

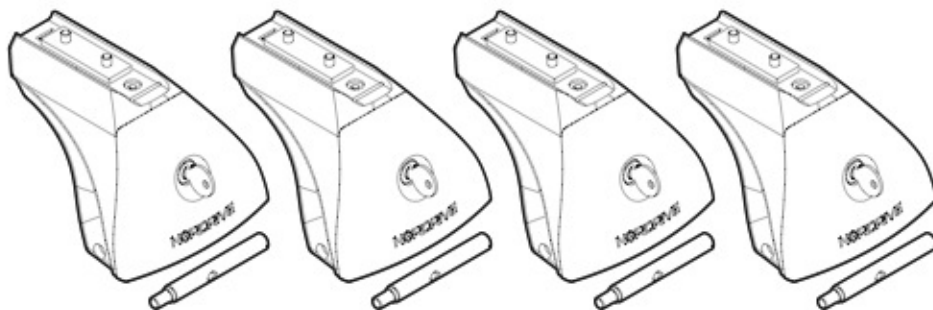
Art. N21207



C

+

Art. N20001



B

+

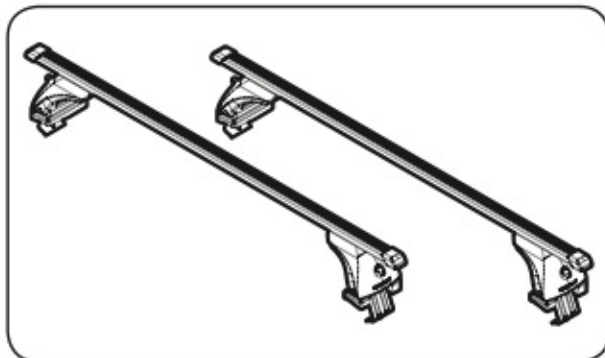
Art. N15021 **L**



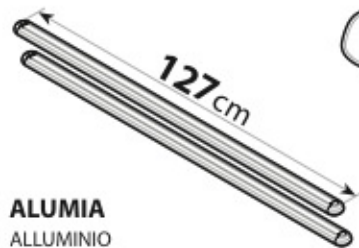
A

QUADRA
ACCIAIO
Steel

=



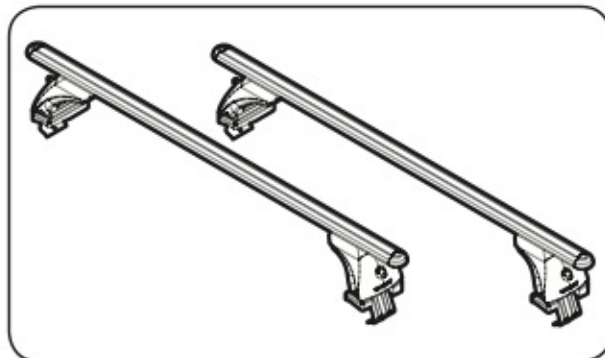
Art. N15026 **L**






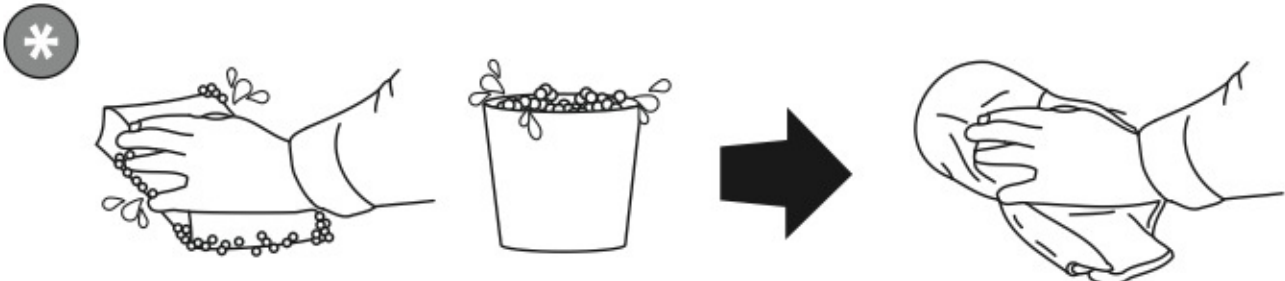
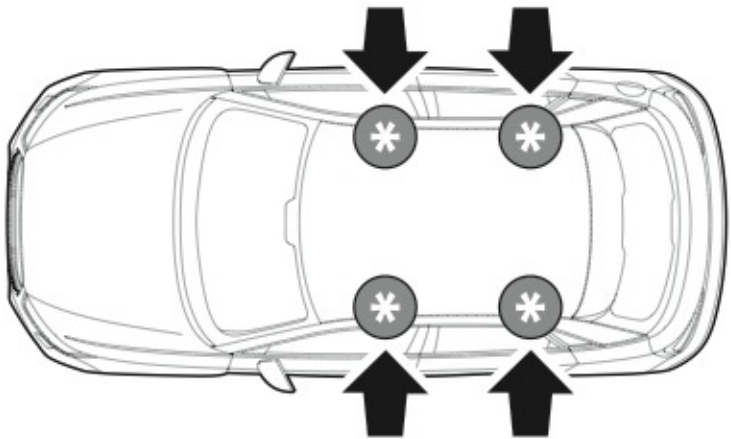
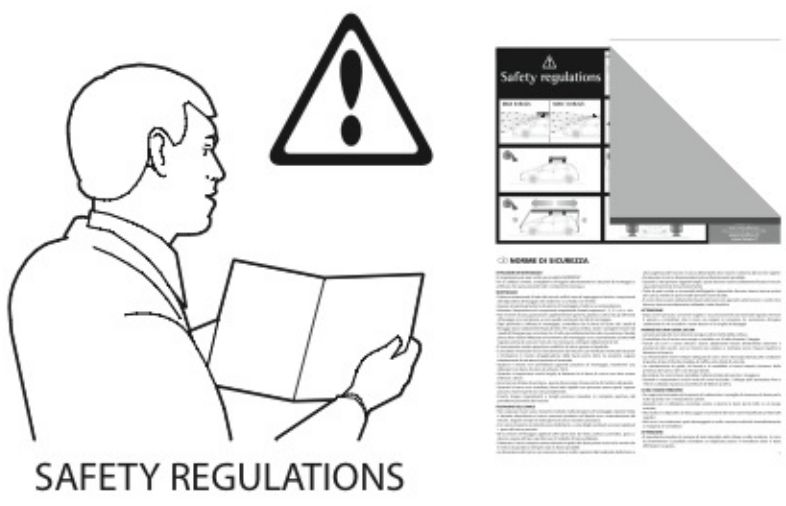
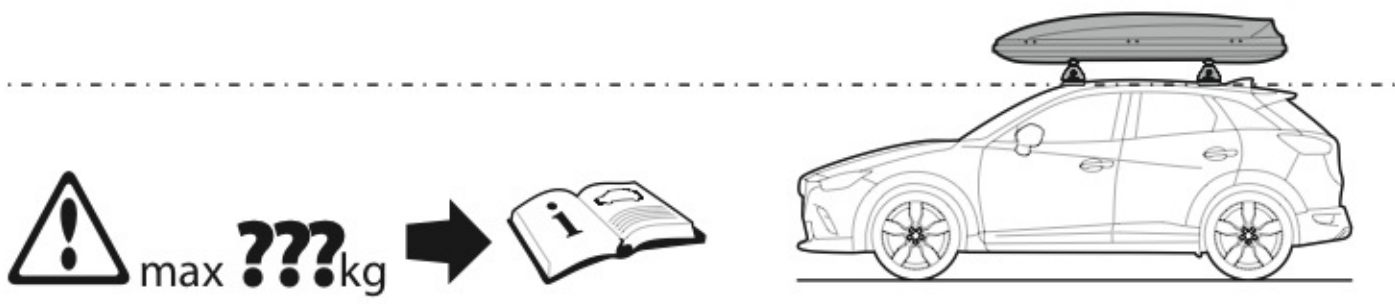
A

ALUMIA
ALLUMINIO
Aluminium

=

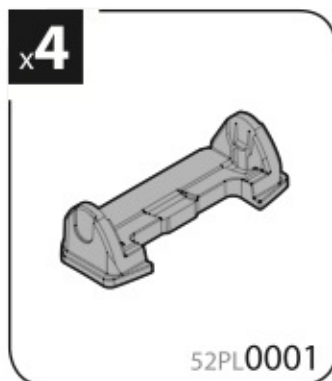
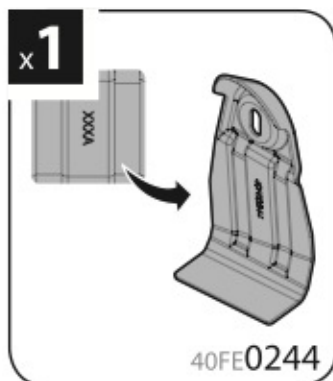
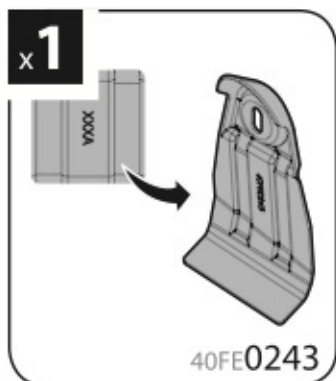
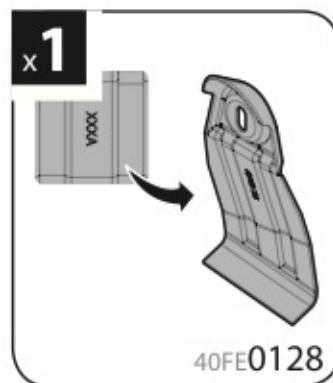
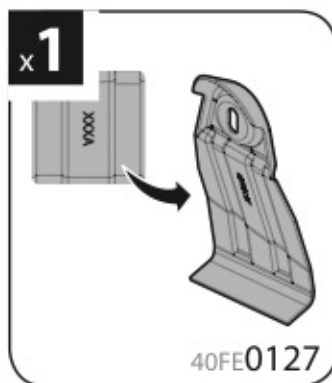


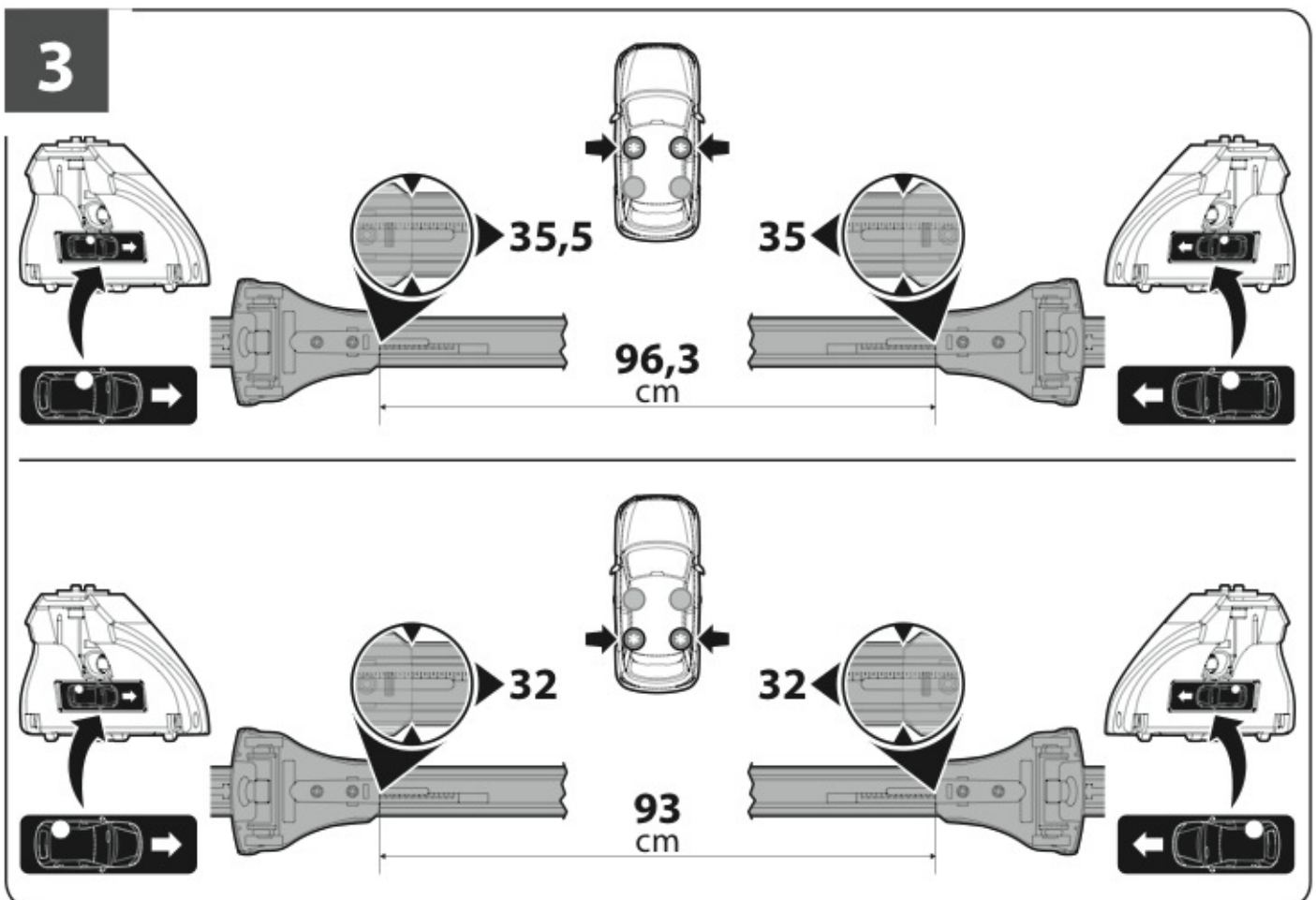
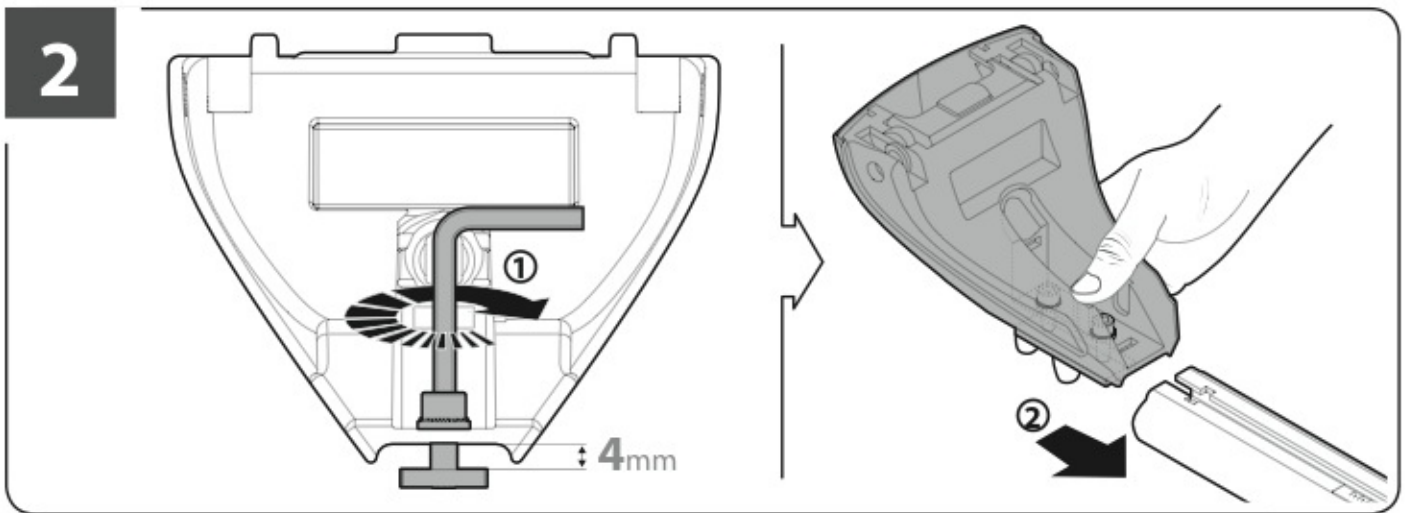
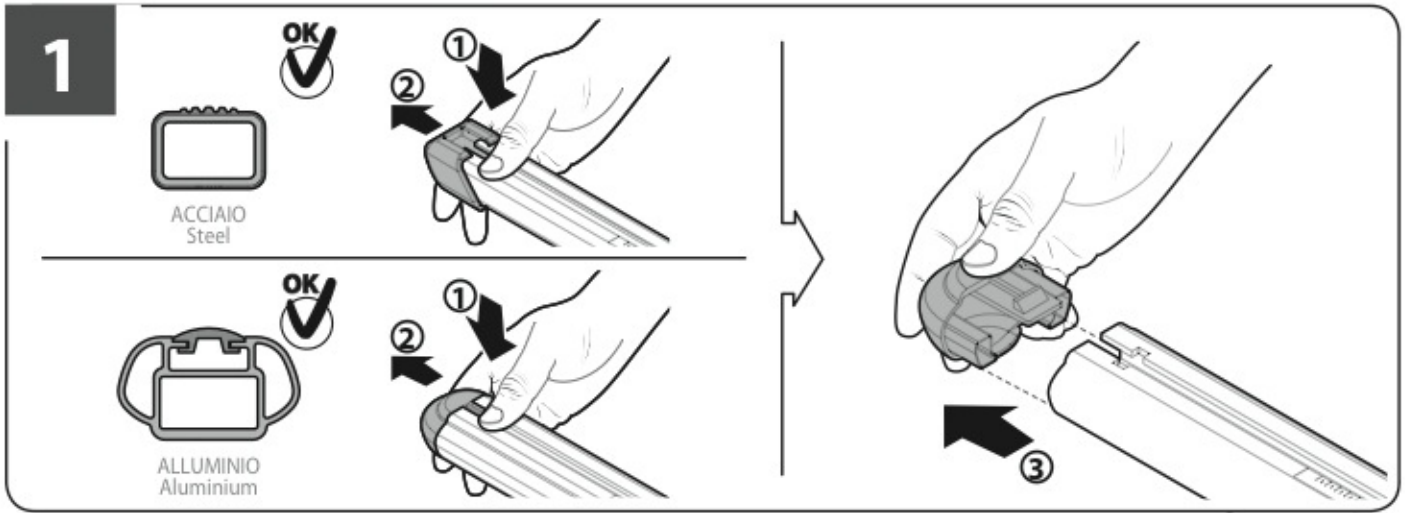

 +
 
 +
 
 = max kg. **50**



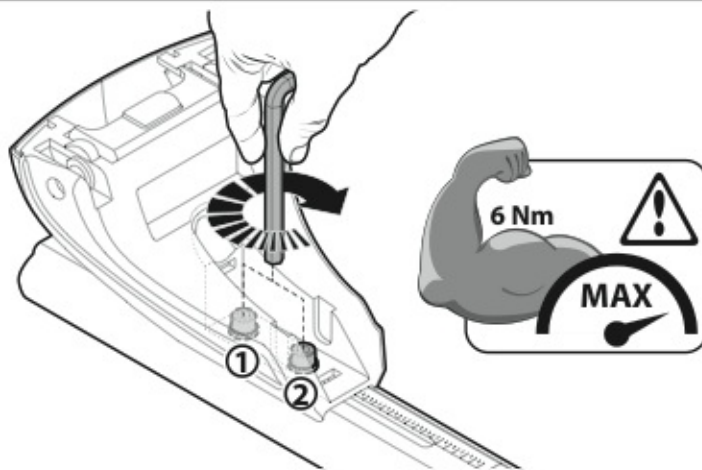


Art. **N21207**

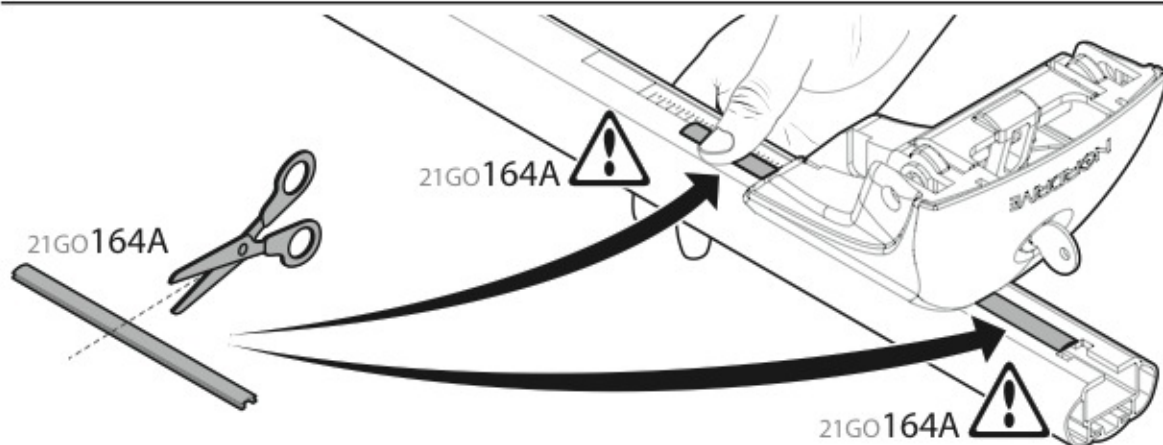




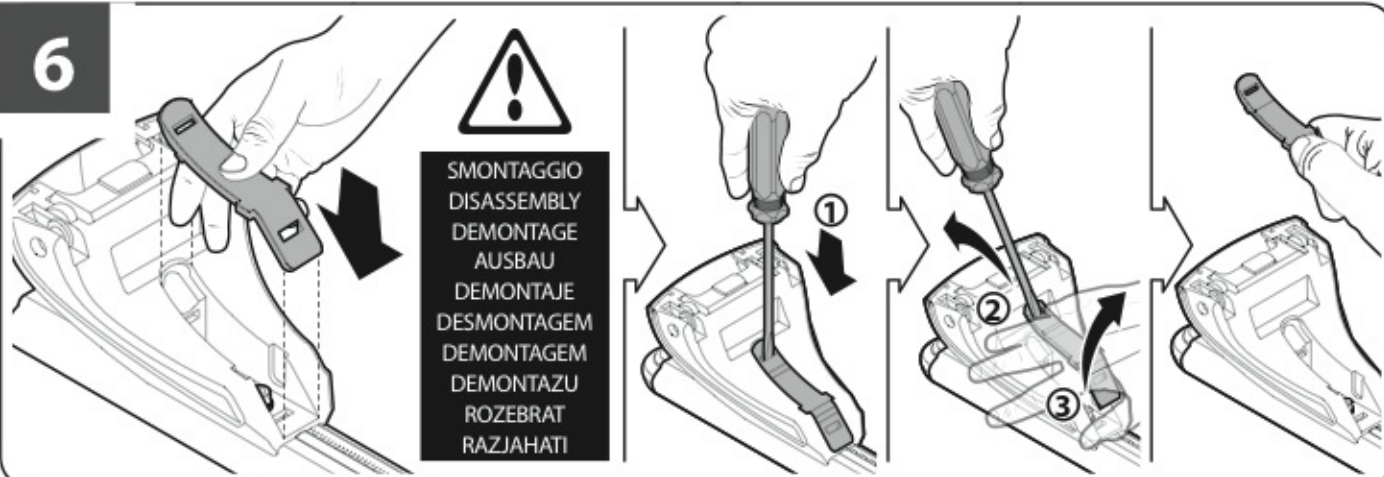
4



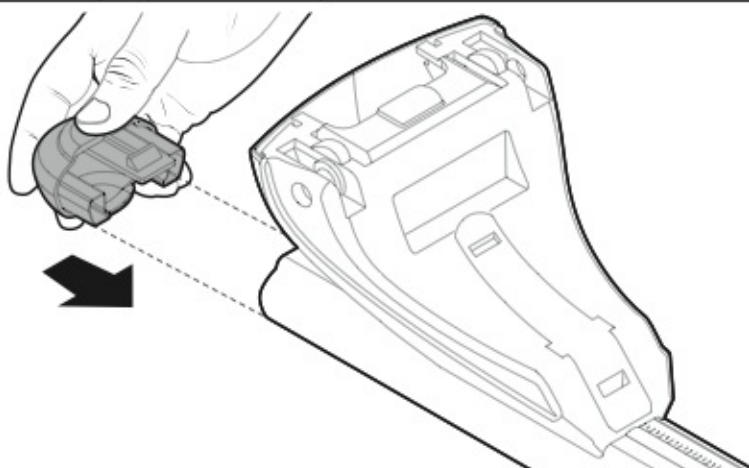
5



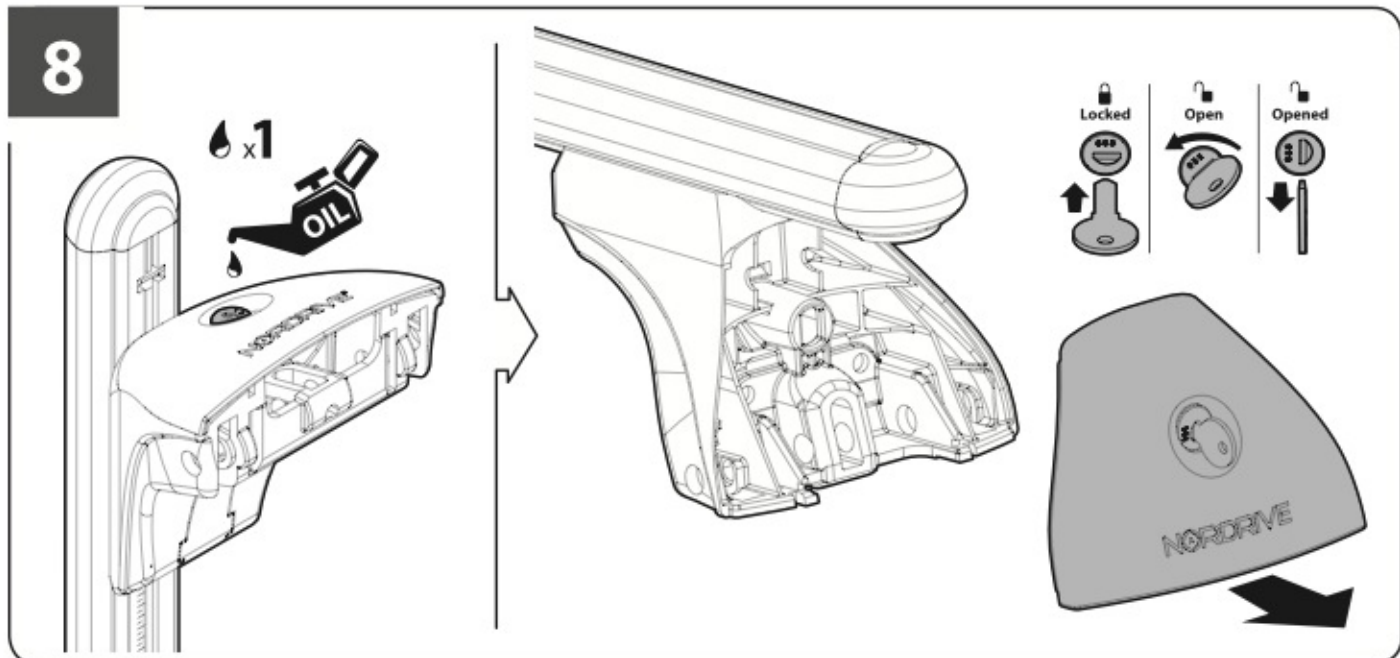
6



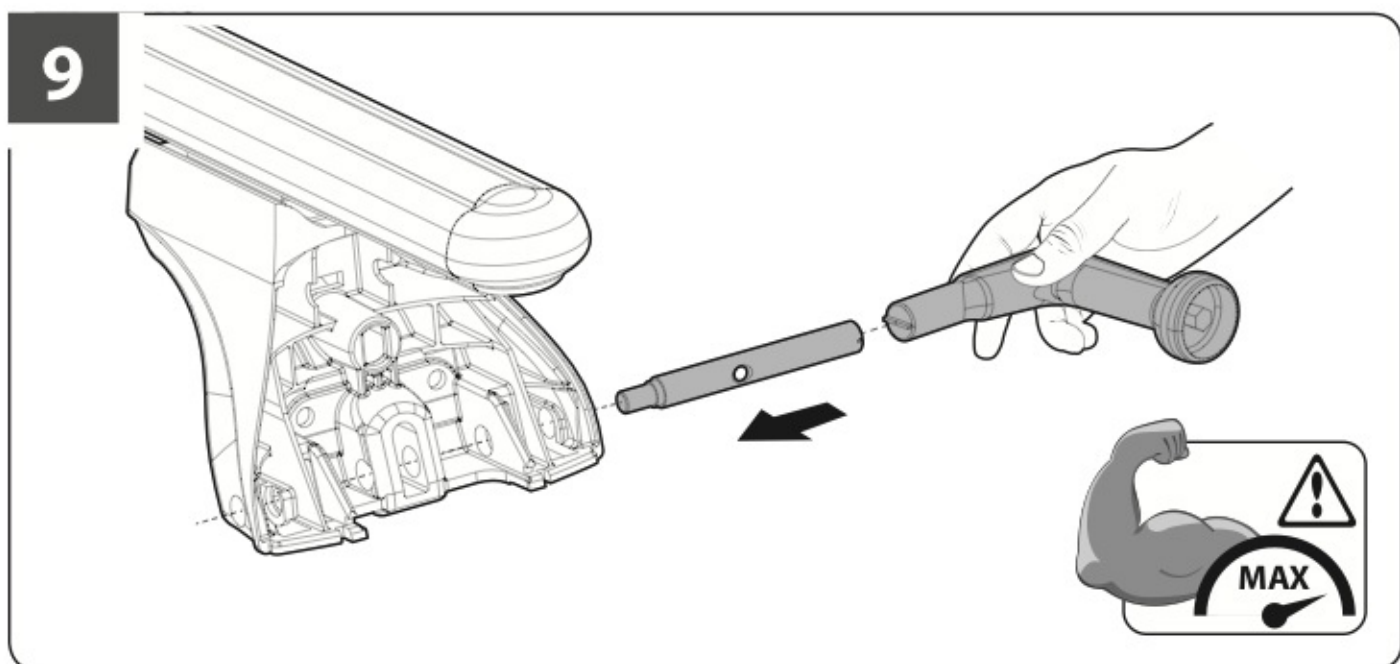
7



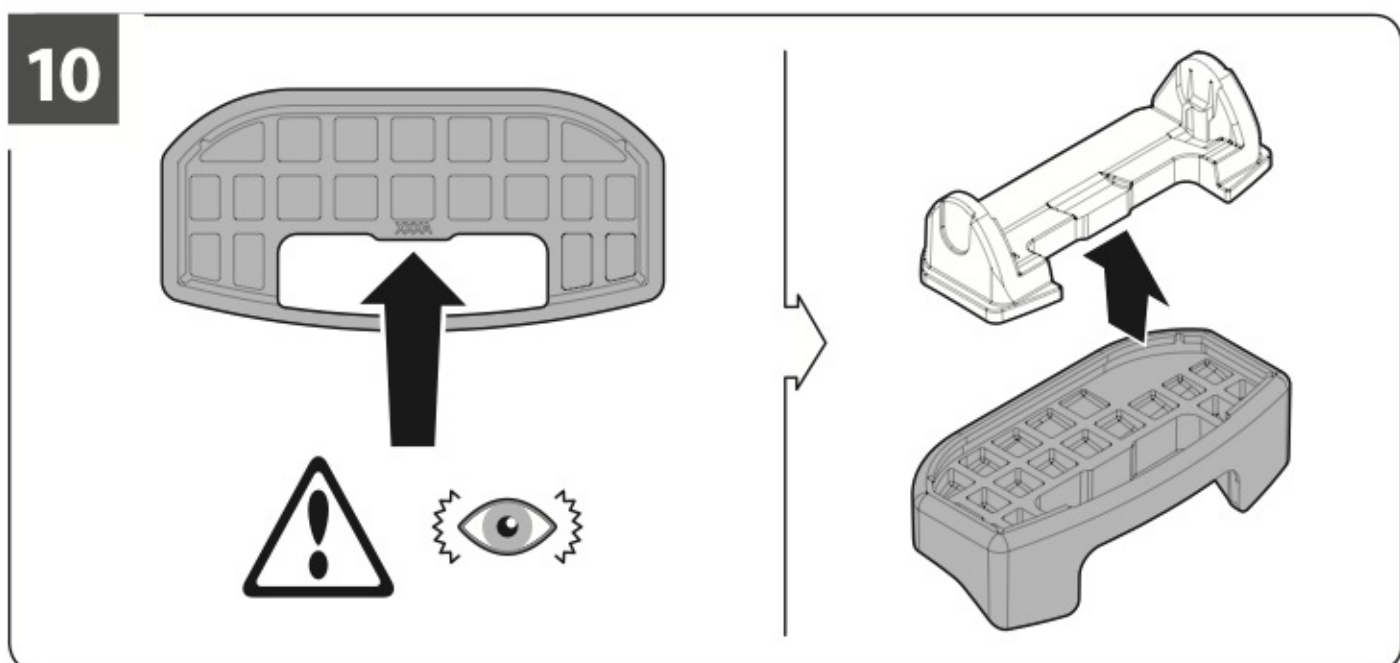
8



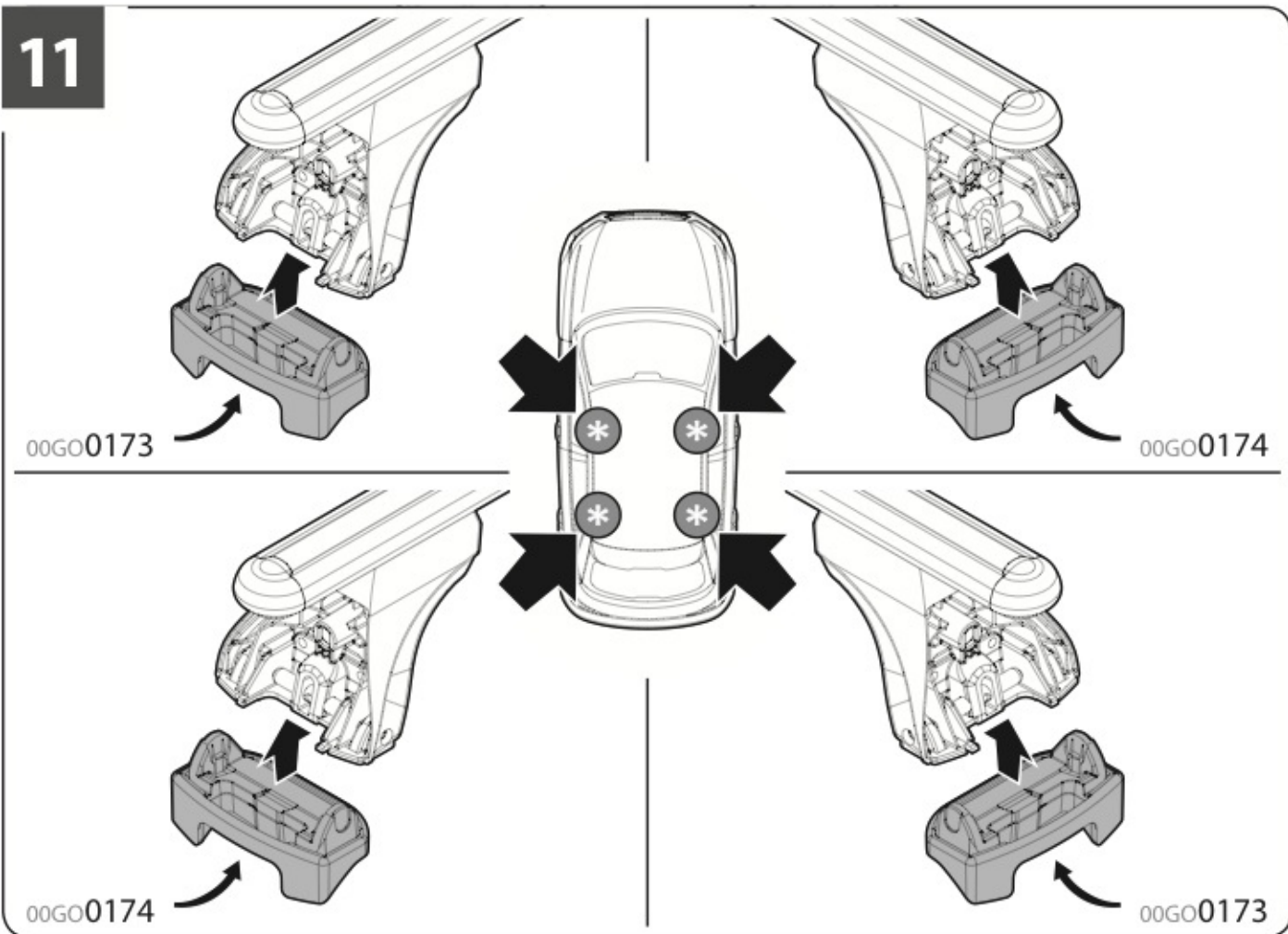
9



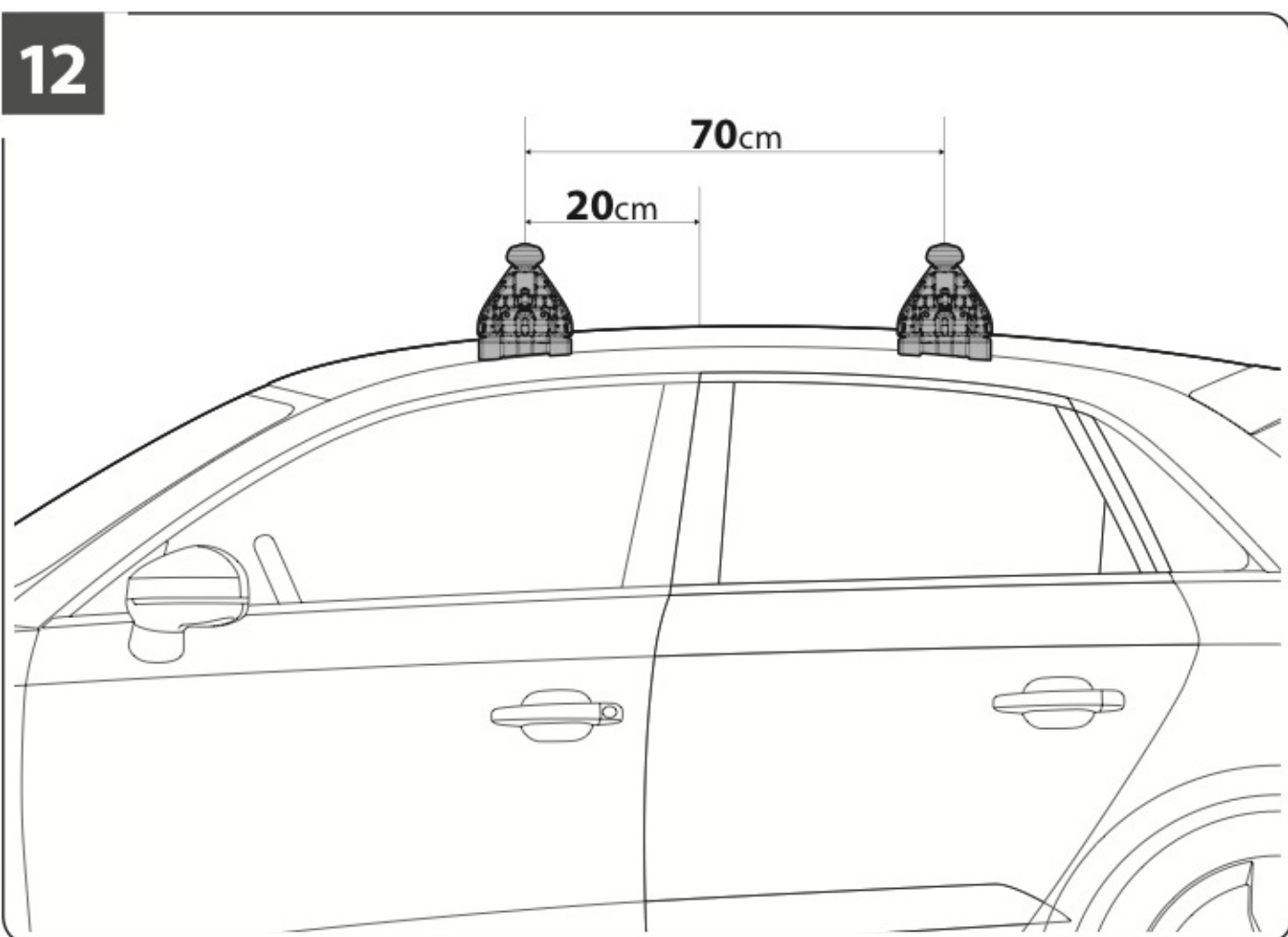
10



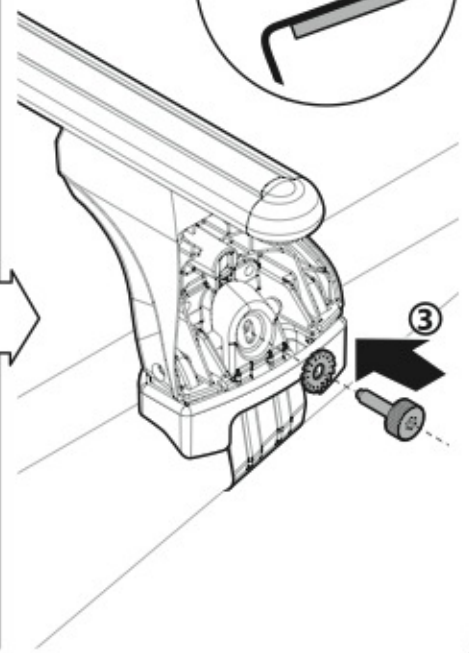
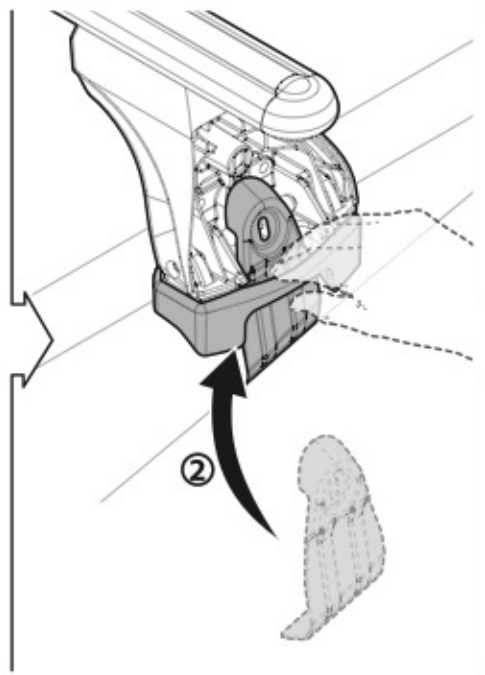
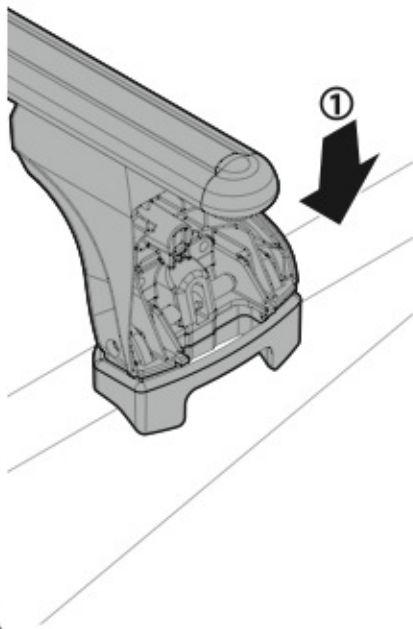
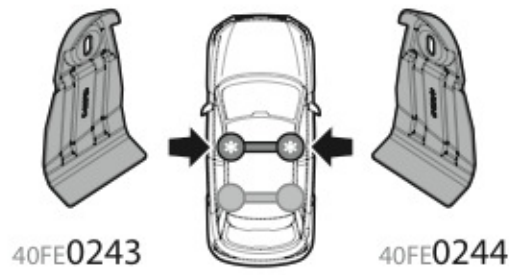
11



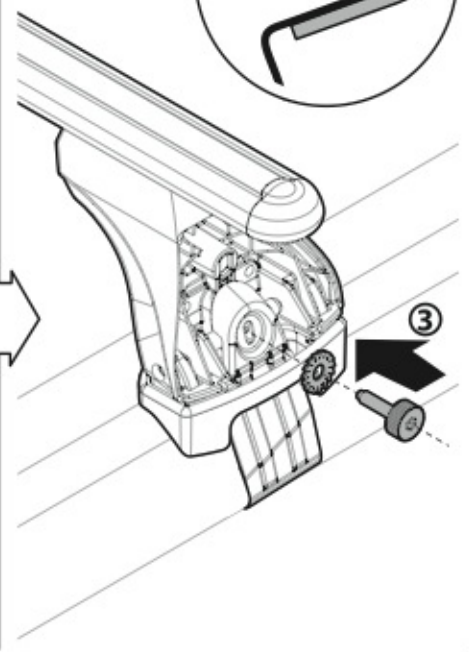
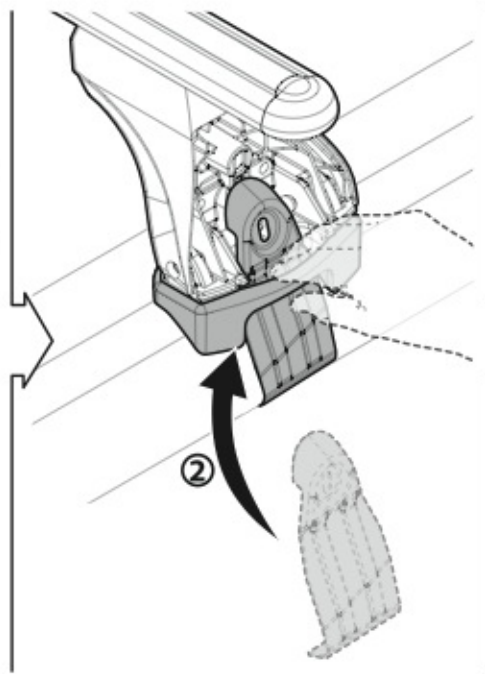
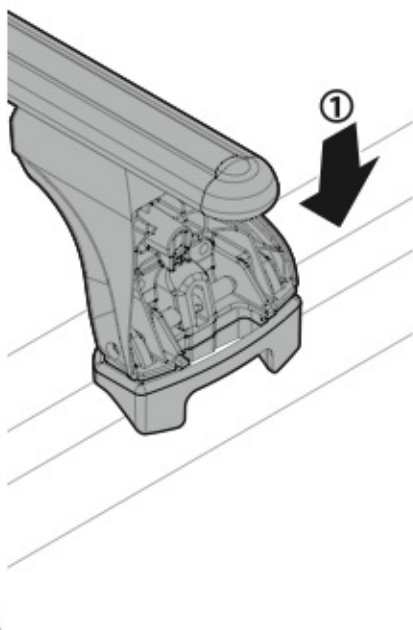
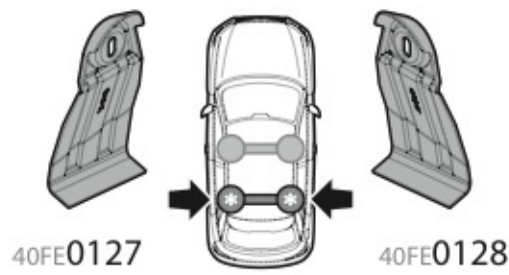
12



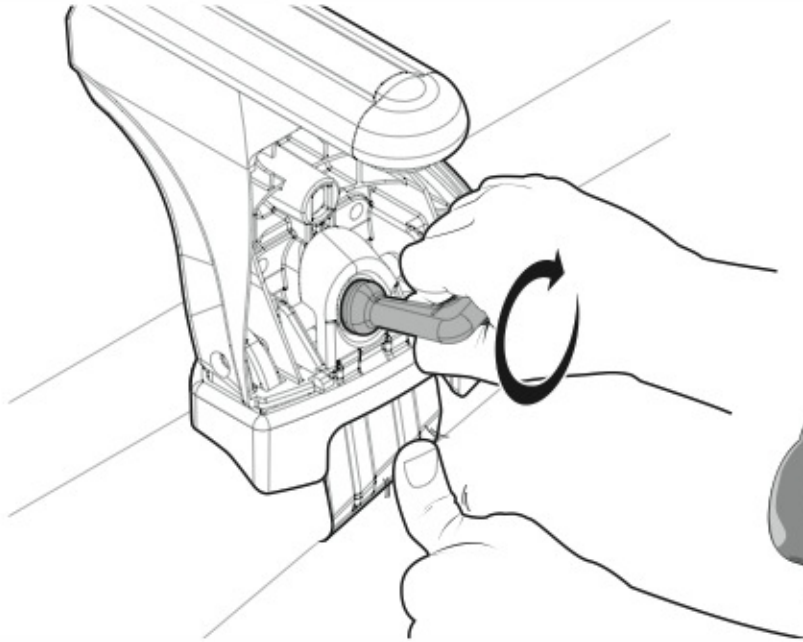
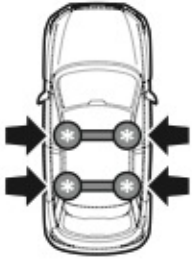
13



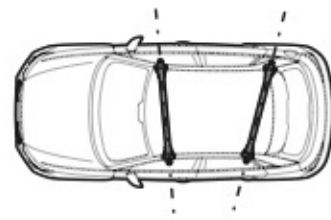
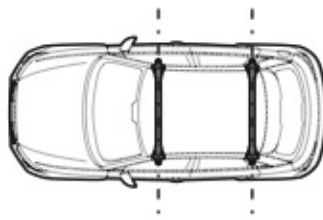
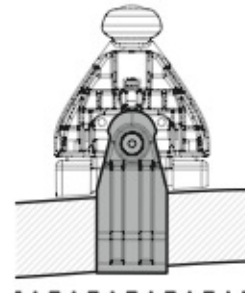
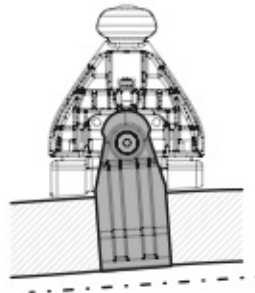
14



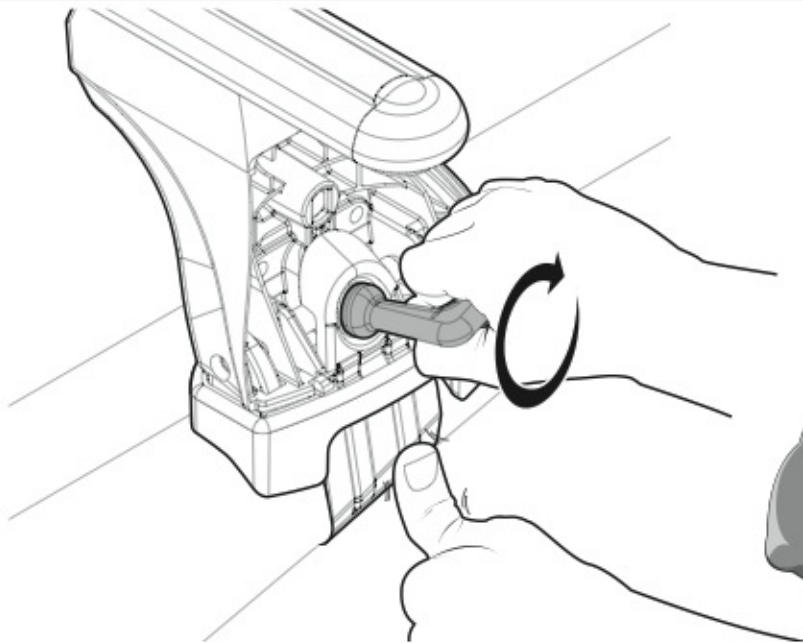
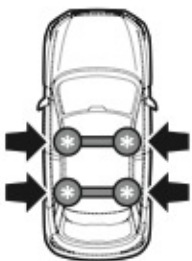
15



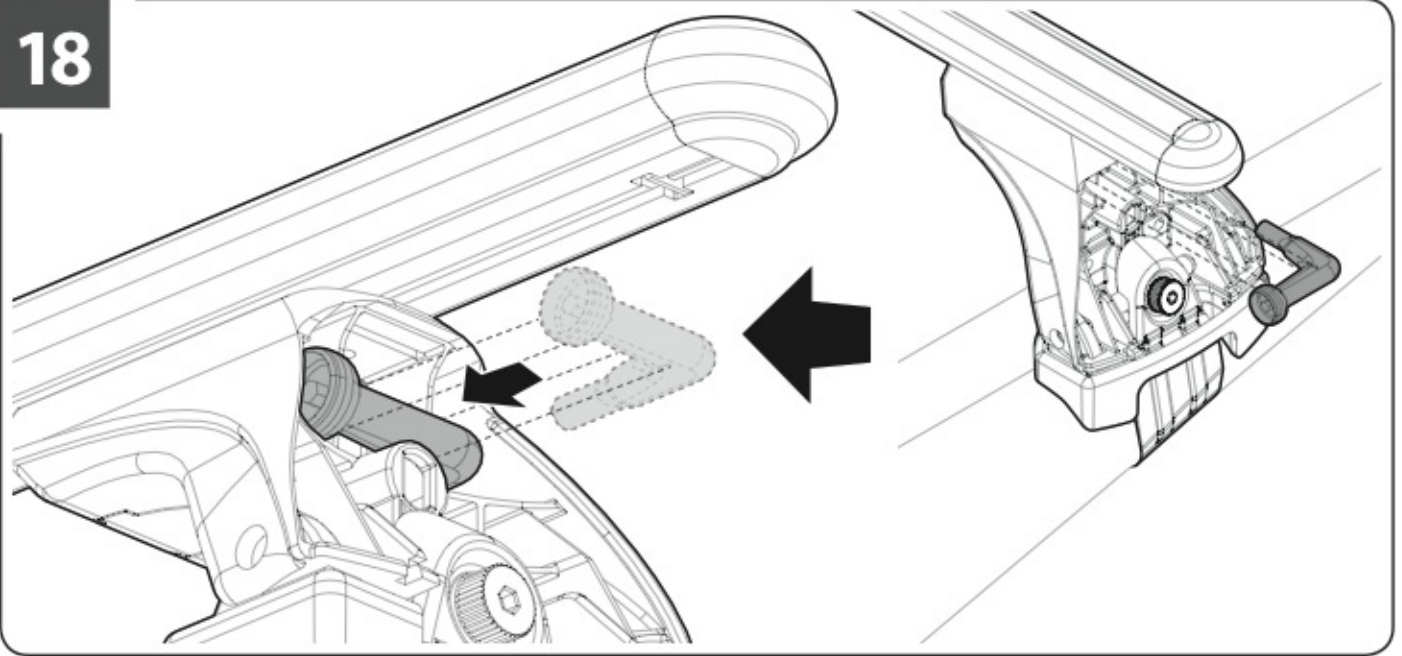
16



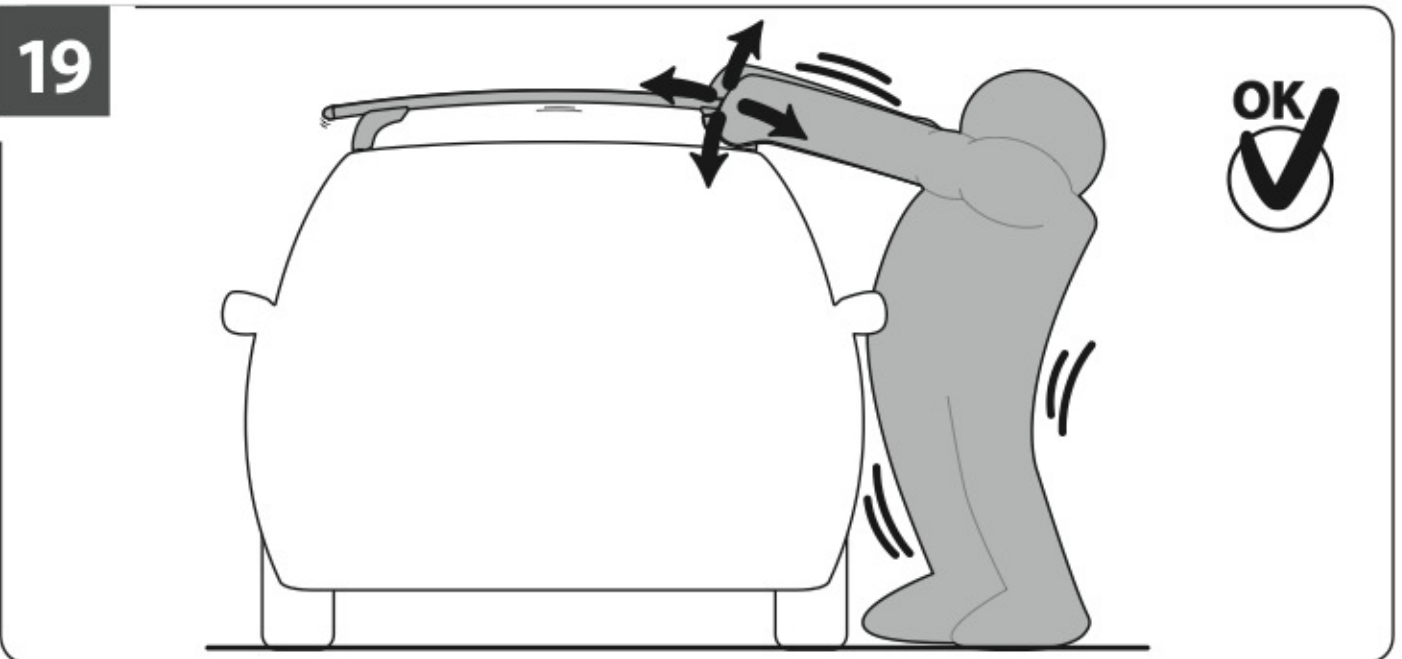
17



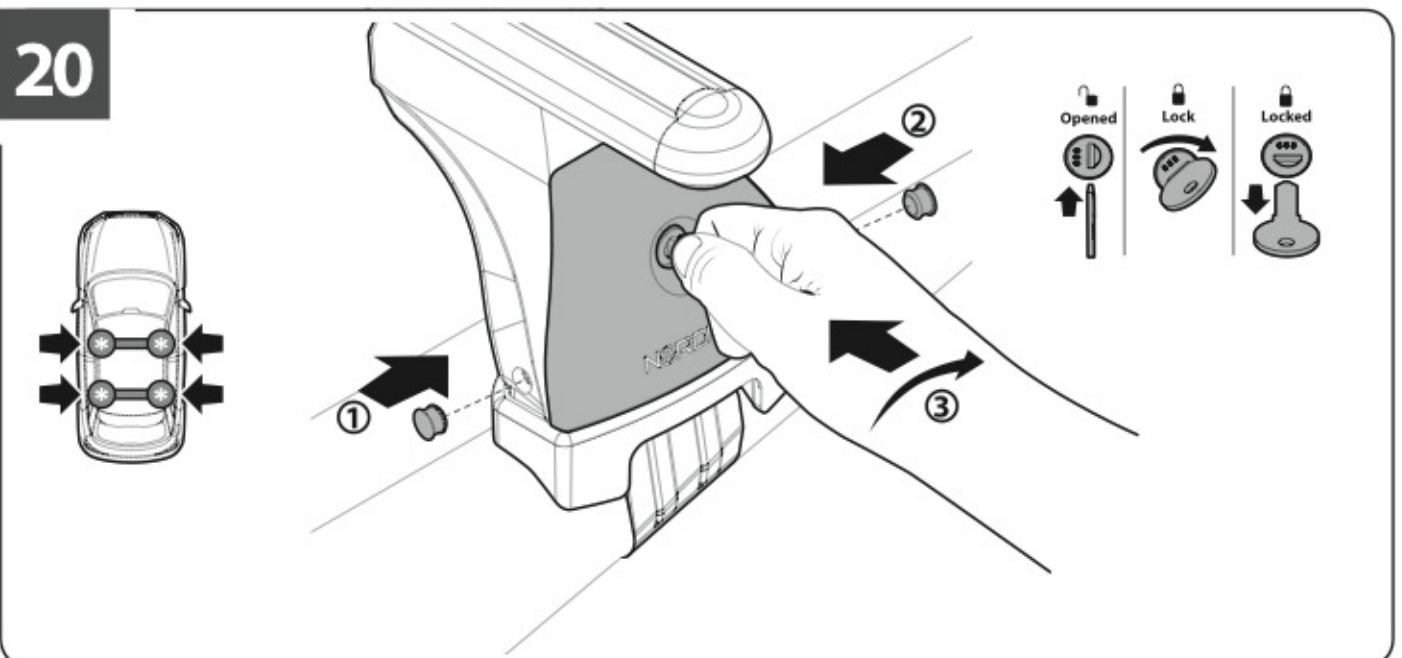
18



19



20



EVOS

NORDRIVE[®]
TRANSPORT SOLUTIONS

is a registered trade mark of

LAMPA S.p.A.

Via G. Rossa 53/55, 46019 Viadana (MN) ITALY

Tel. +39 0375 820700

UNI EN ISO 9001:2008 Certified Company

www.nordrive.it

www.lampa.it