

# EVOS

## NORDRIVE®

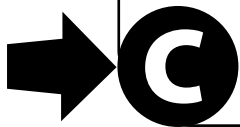
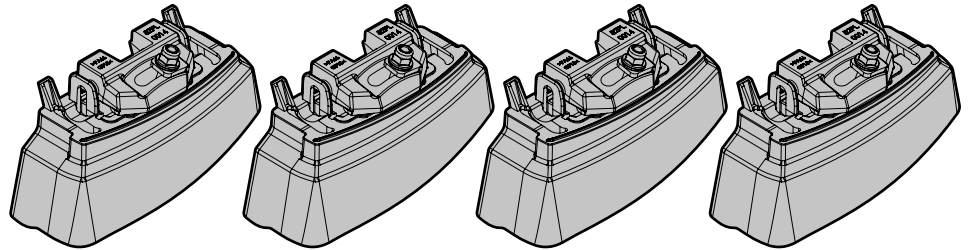
TRANSPORT SOLUTIONS

MERCEDES  
CLASSE B

2000  
02/19 →

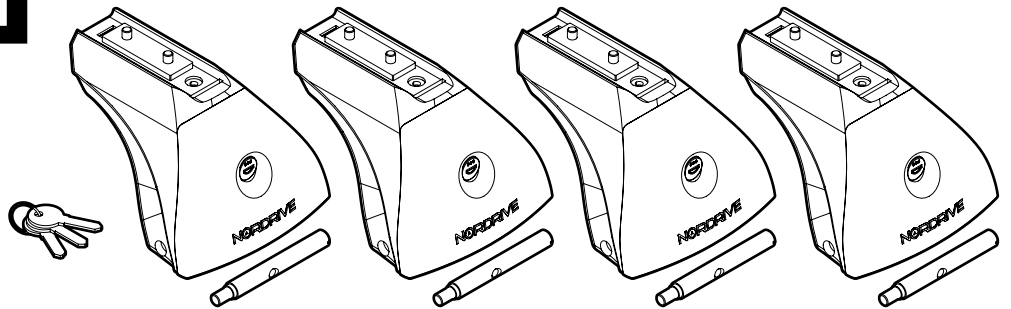


Art. N21228



+

Art. N20001



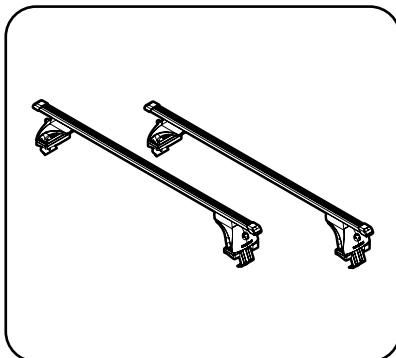
+

Art. N15020 **M**

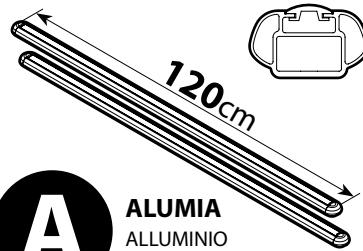


**A** QUADRA  
ACCIAIO  
Steel

=

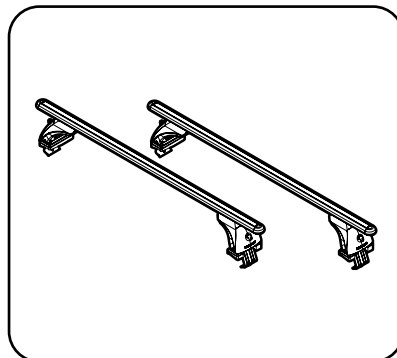


Art. N15025 **M**



**A** ALUMIA  
ALLUMINIO  
Aluminium

=

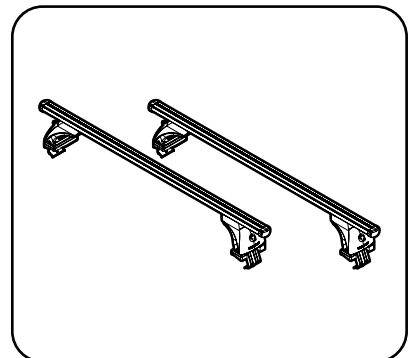


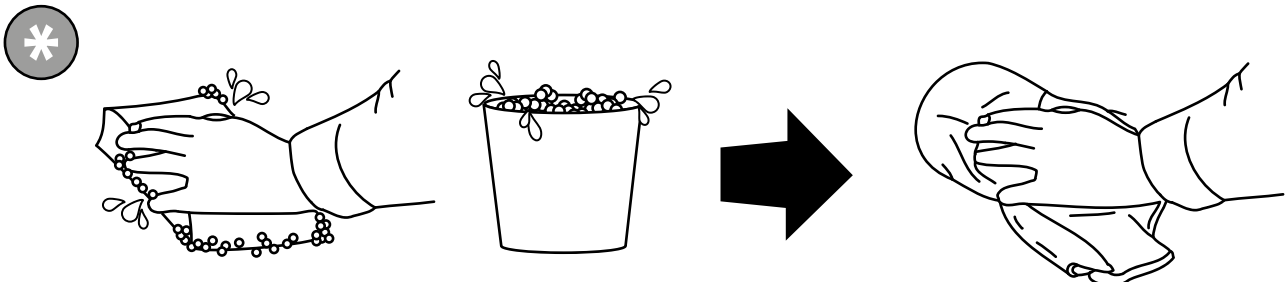
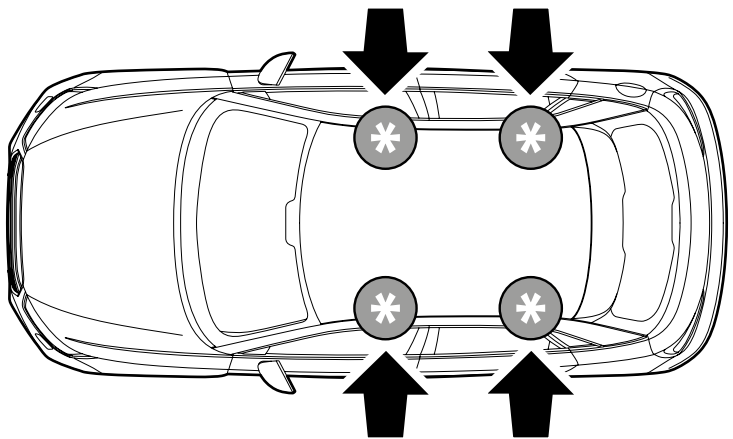
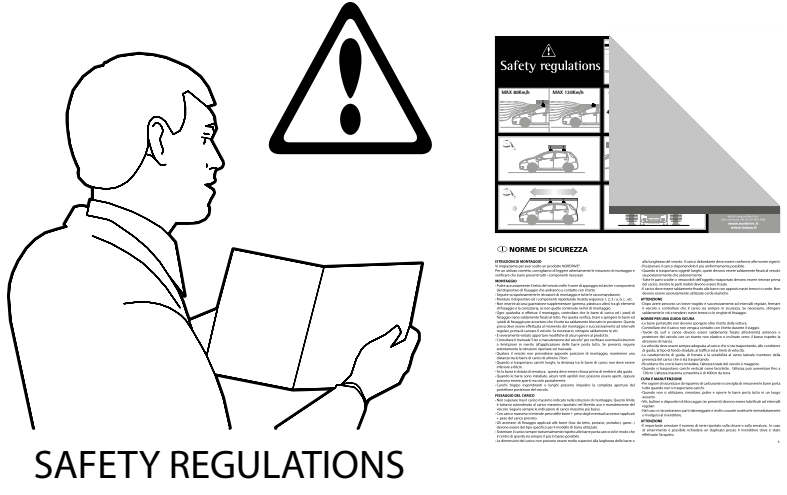
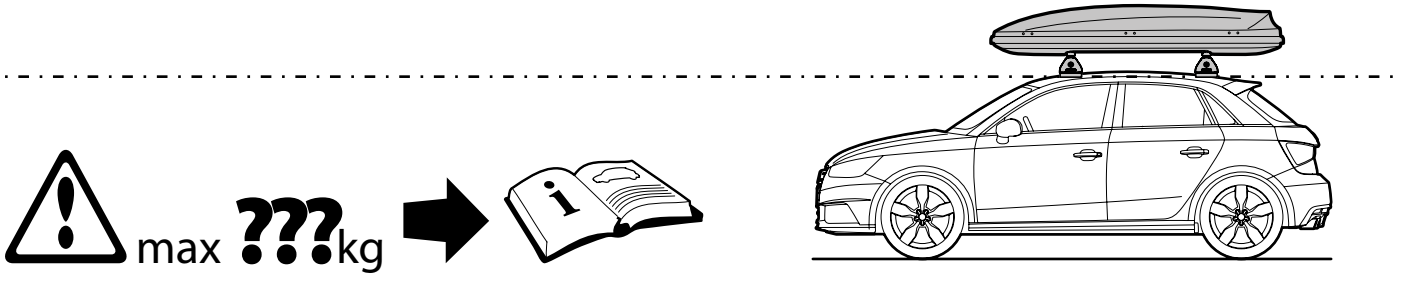
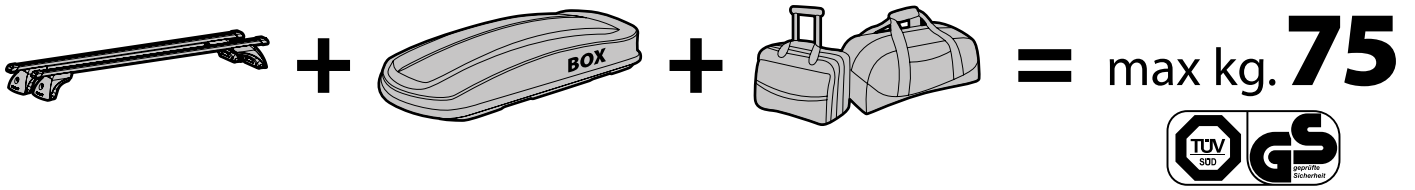
Art. N15075 **M**

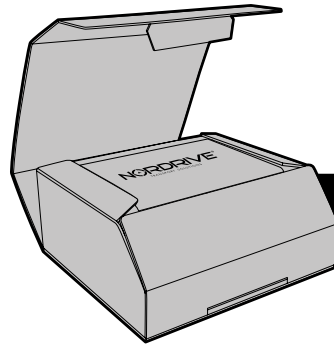


**A** HELIO  
ALLUMINIO  
Aluminium

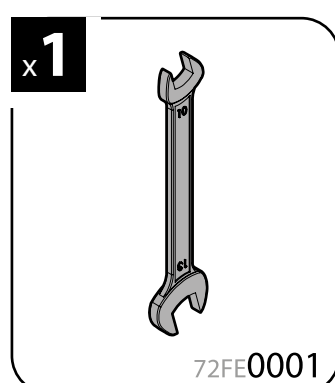
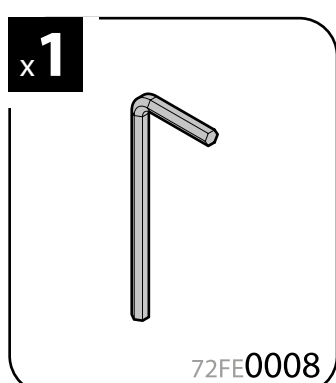
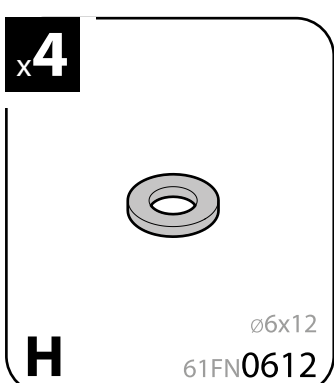
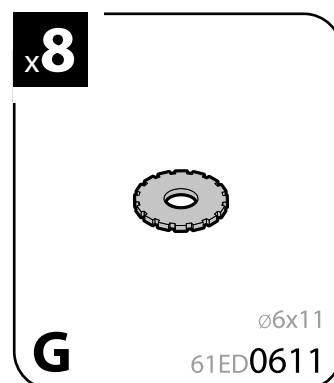
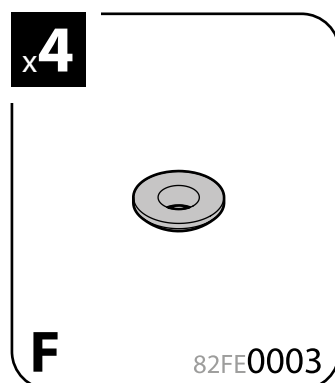
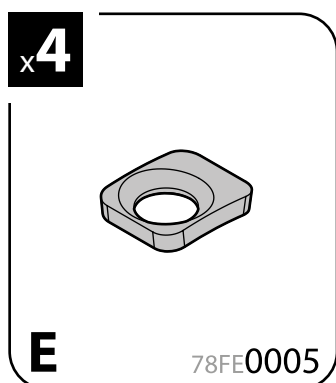
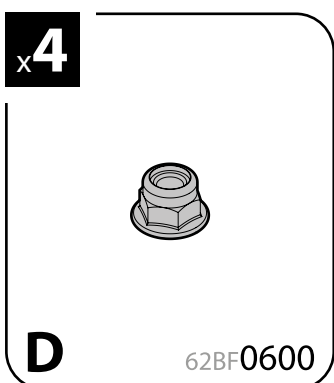
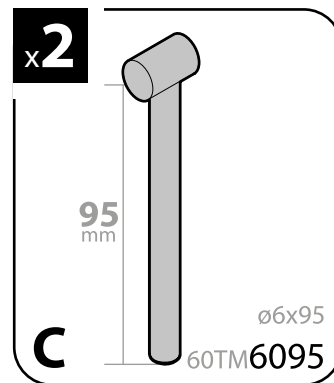
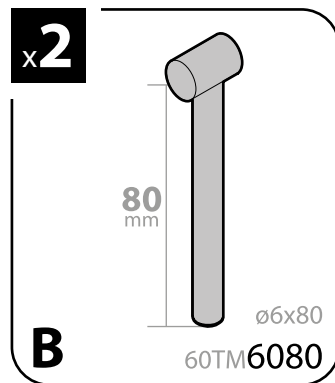
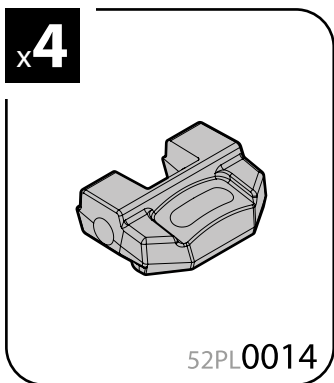
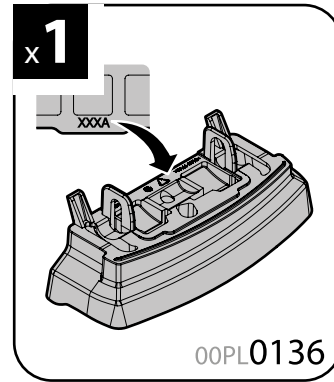
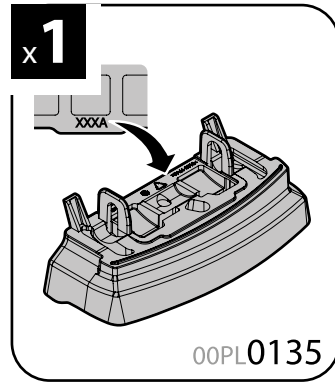
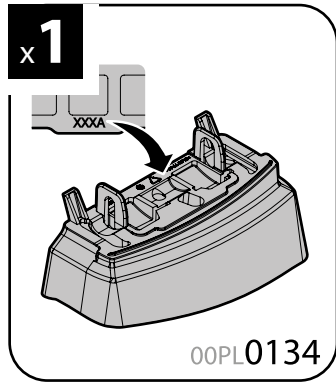
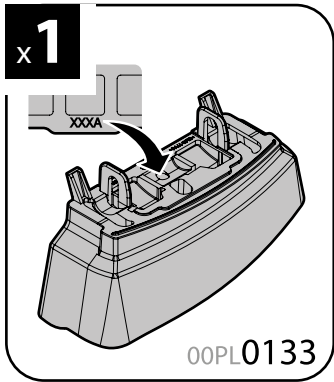
=

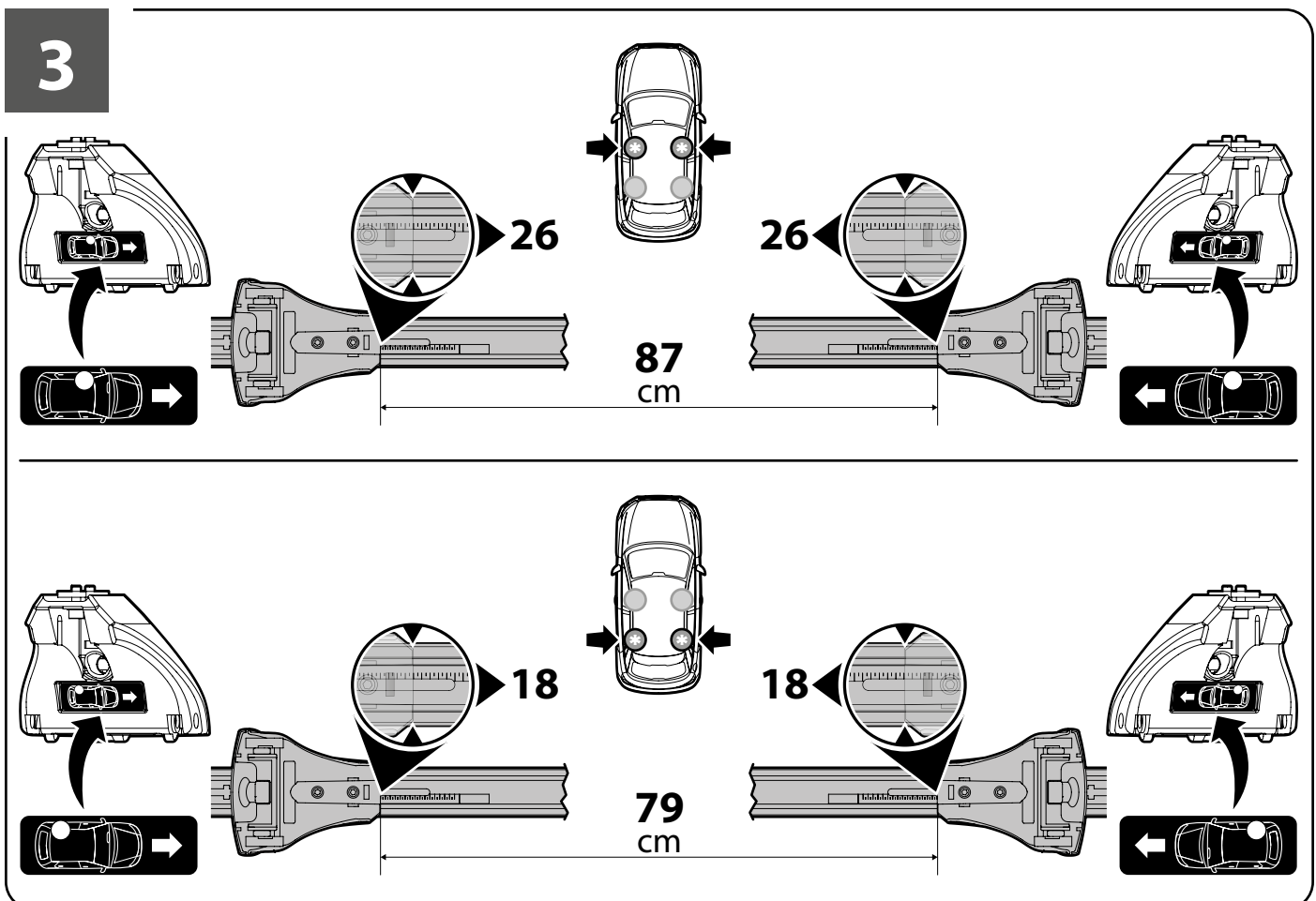
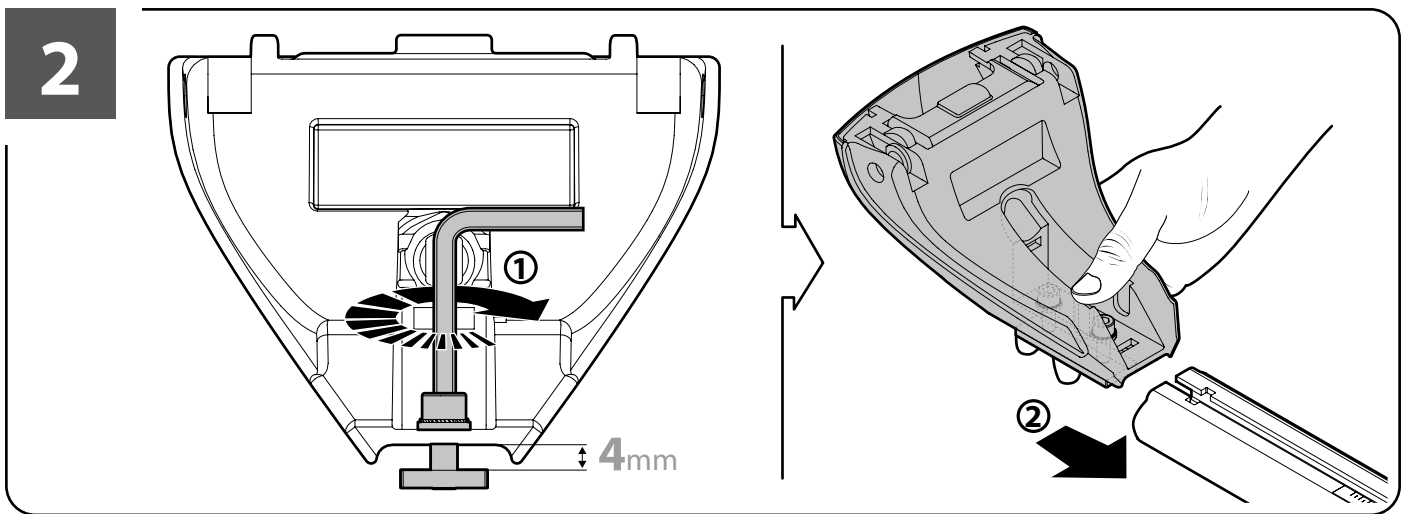
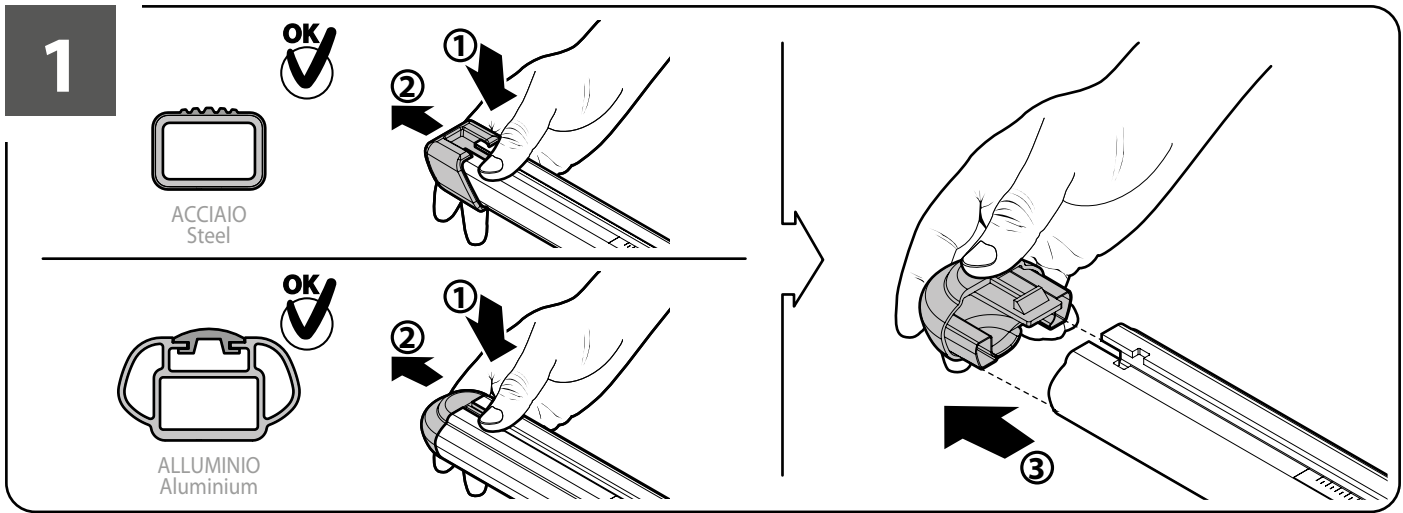




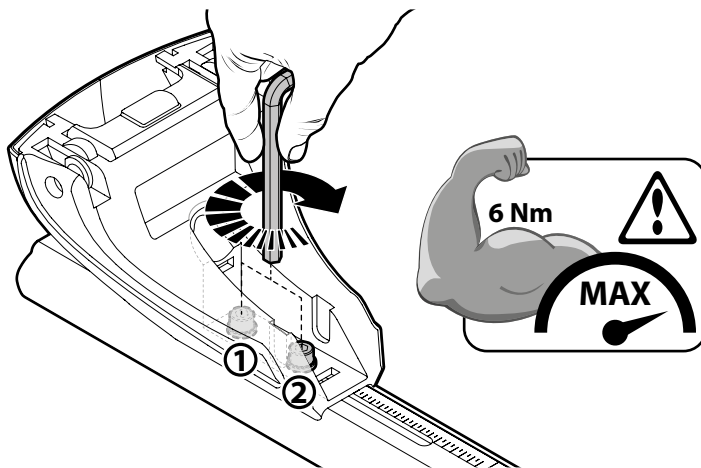


Art. **N21228**

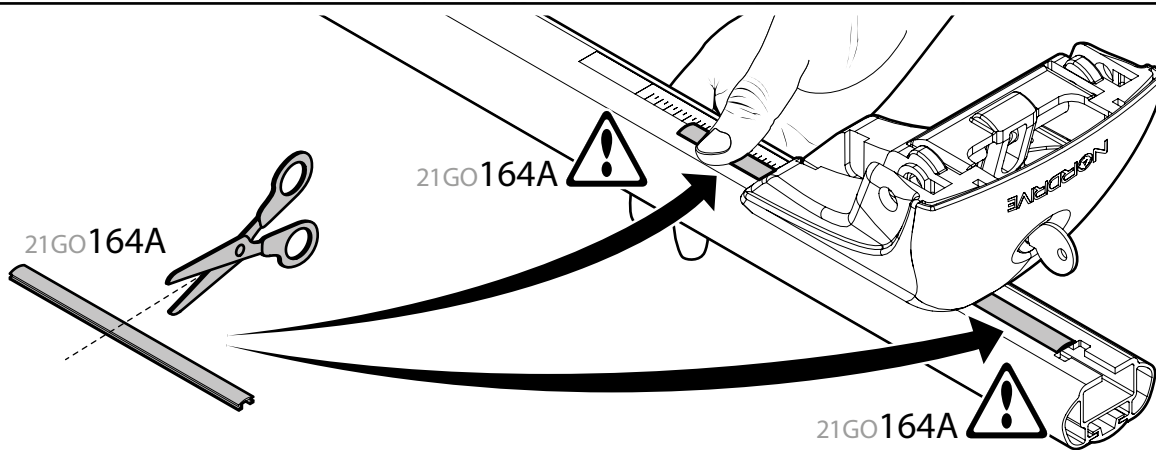




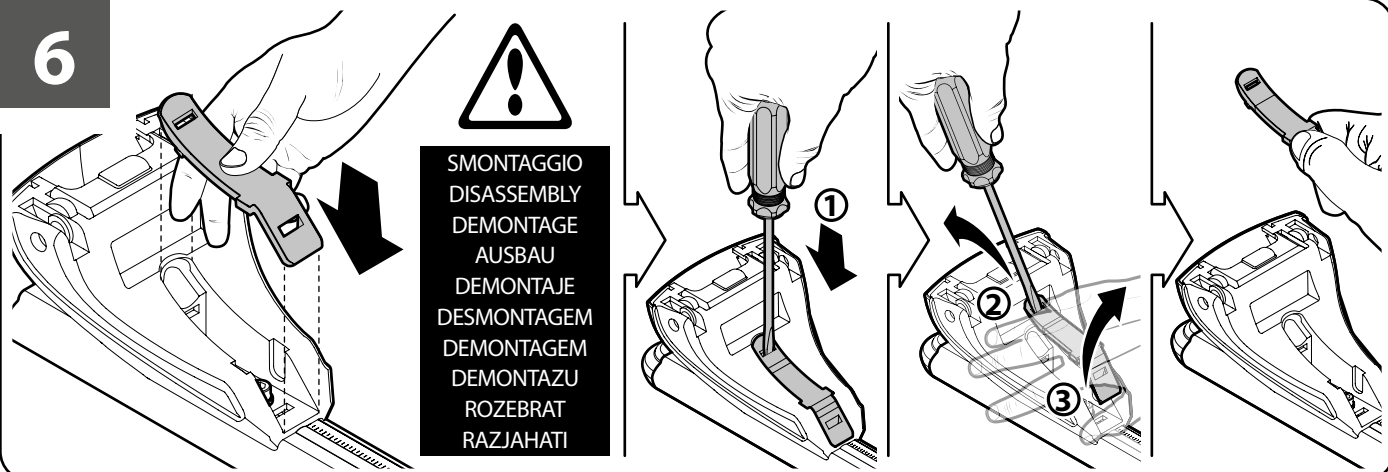
4



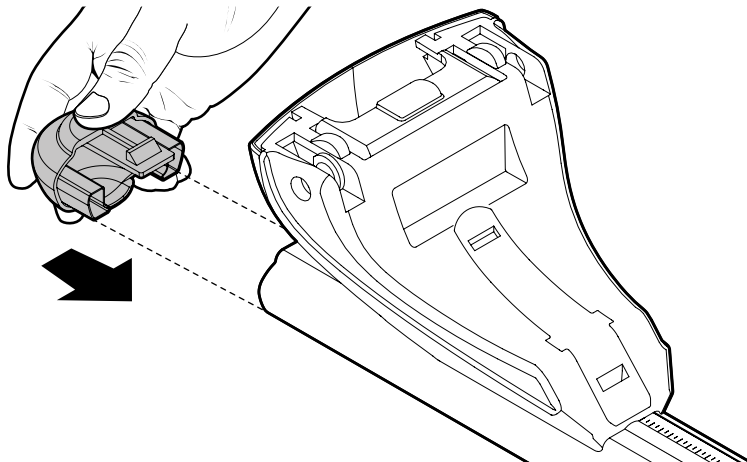
5



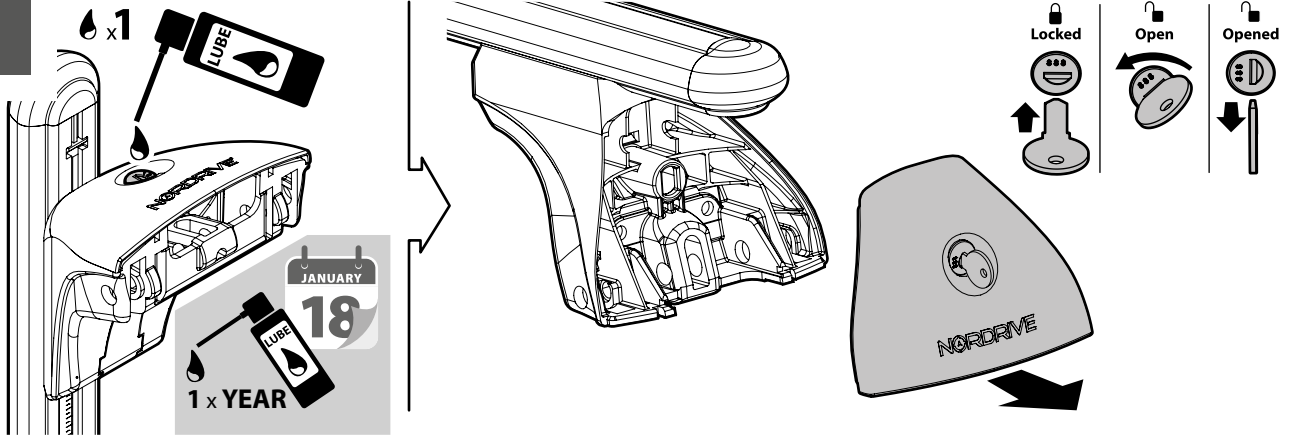
6



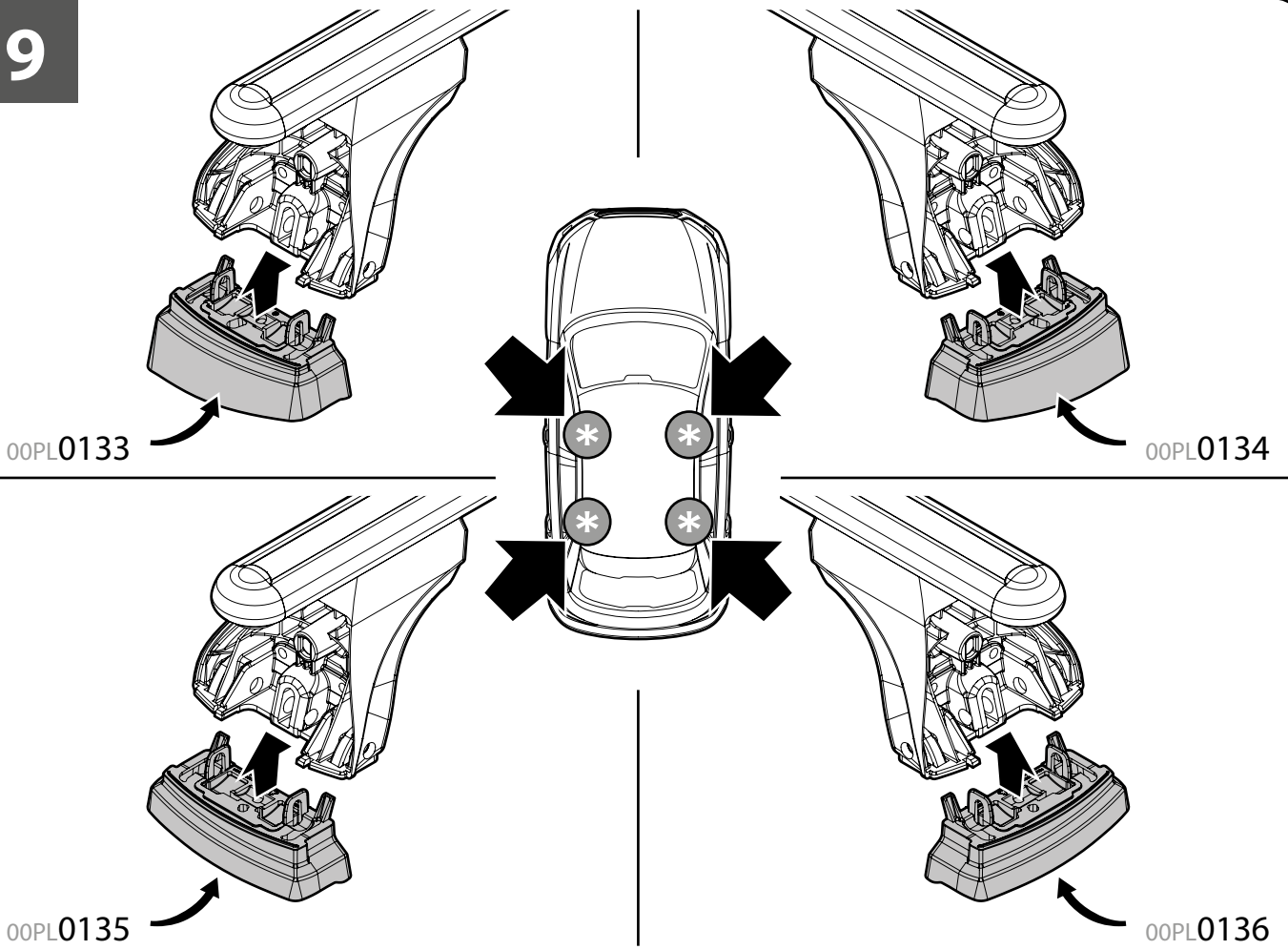
7



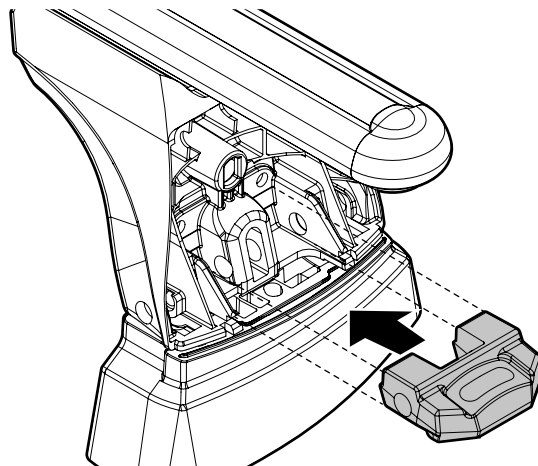
8



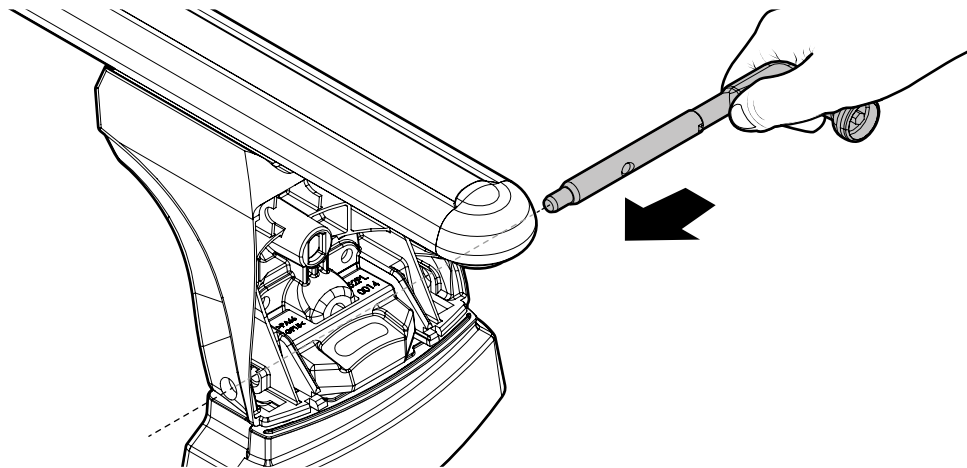
9



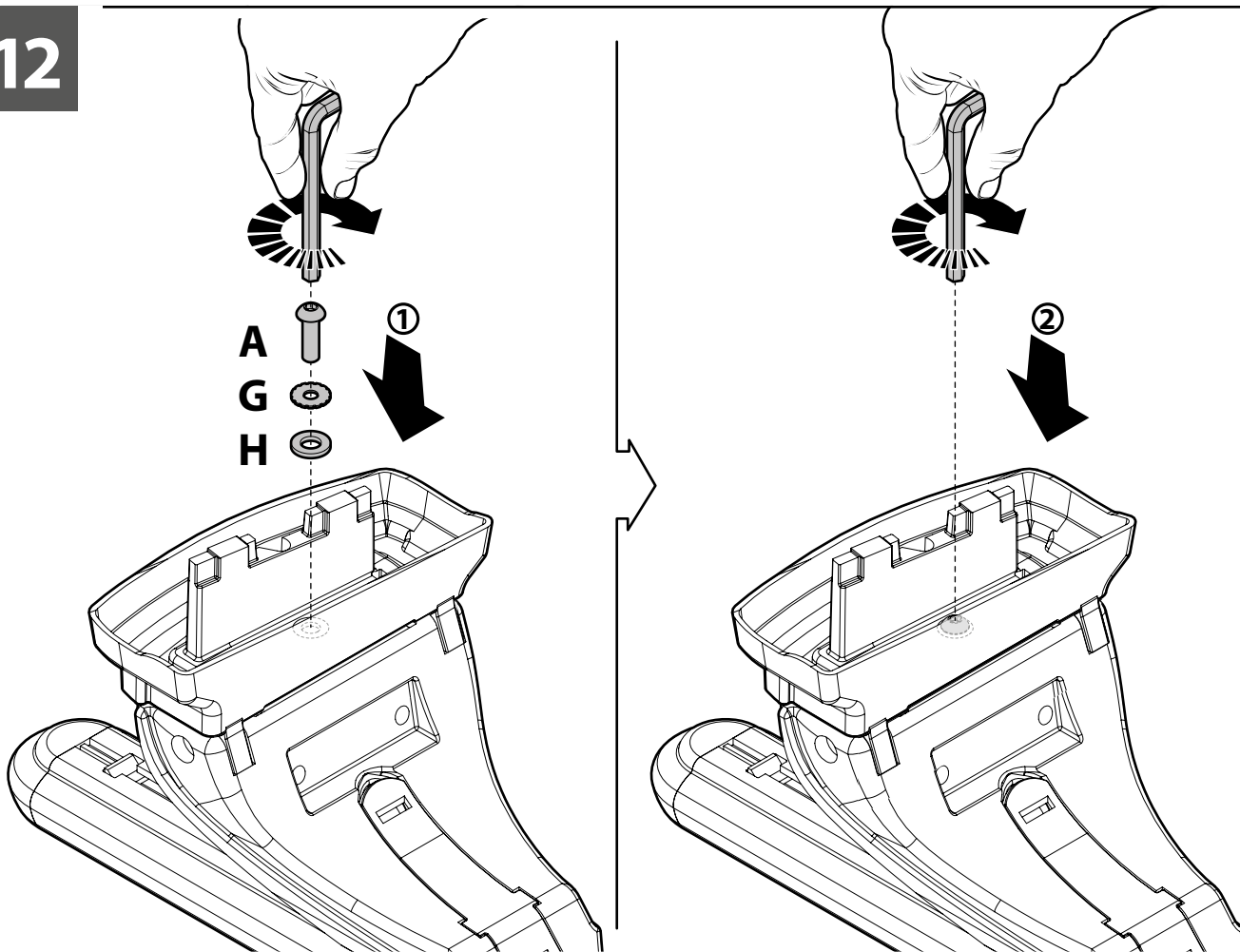
10



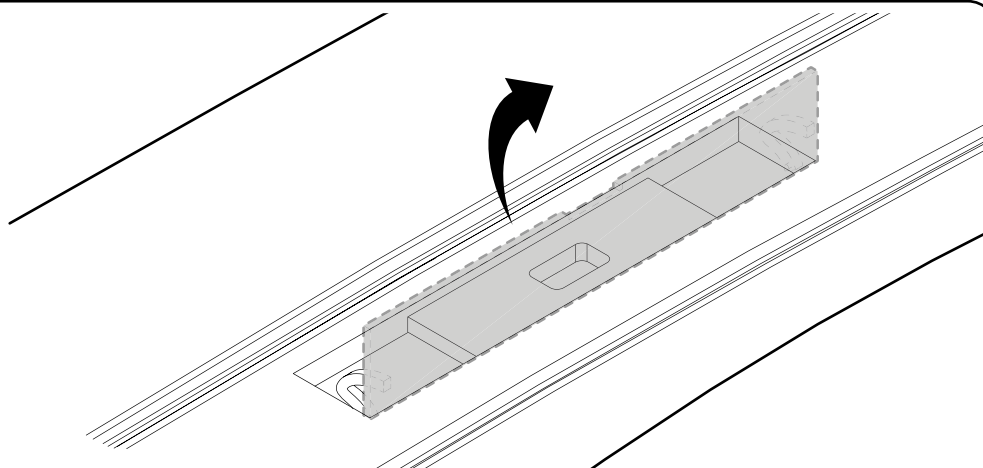
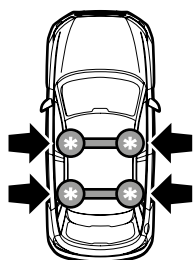
11



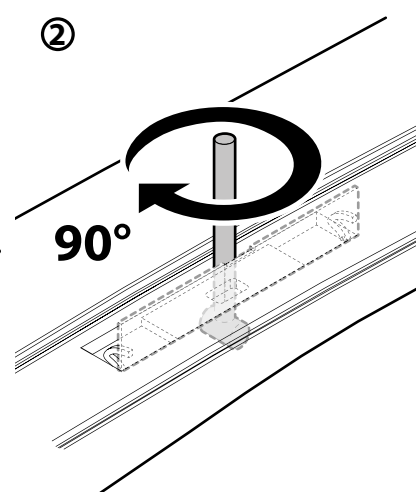
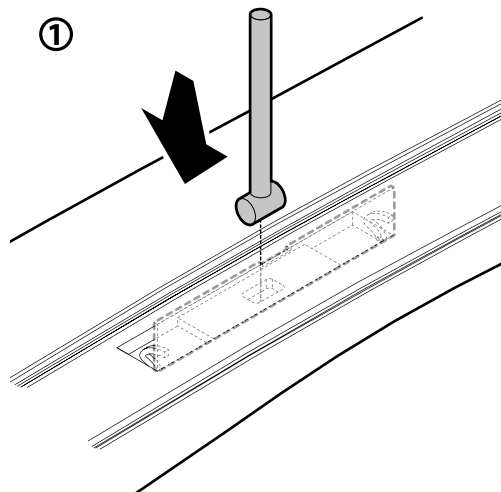
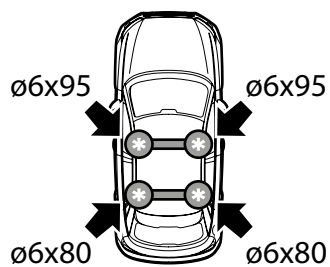
12



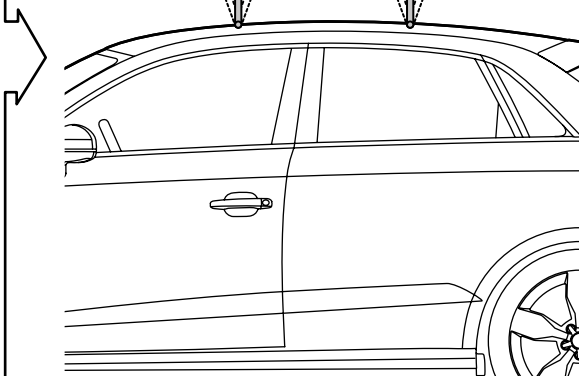
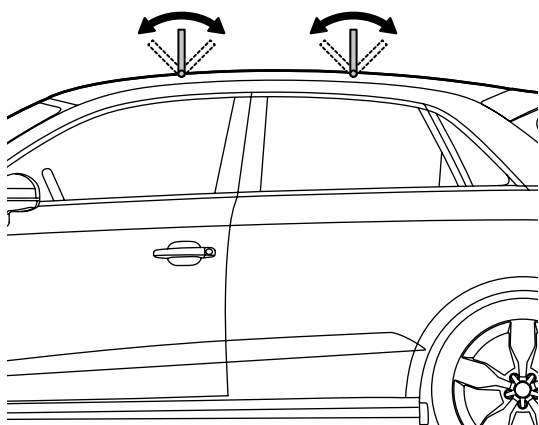
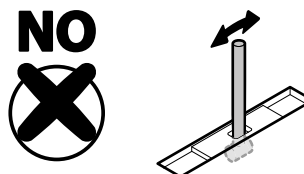
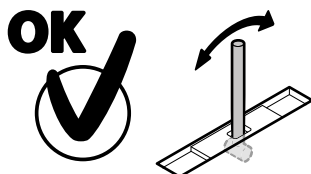
13



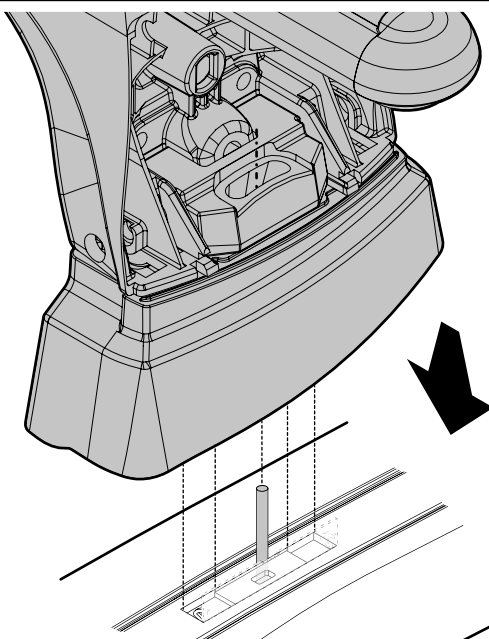
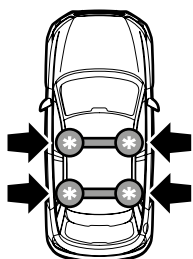
14



TEST

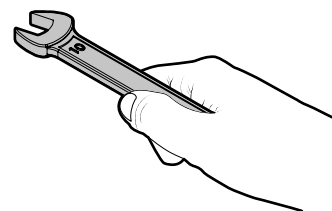
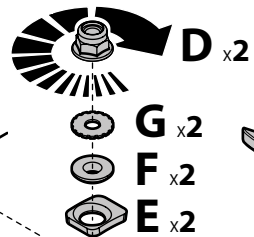
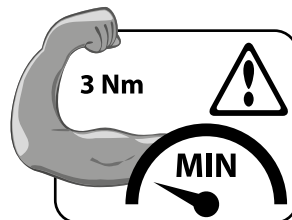
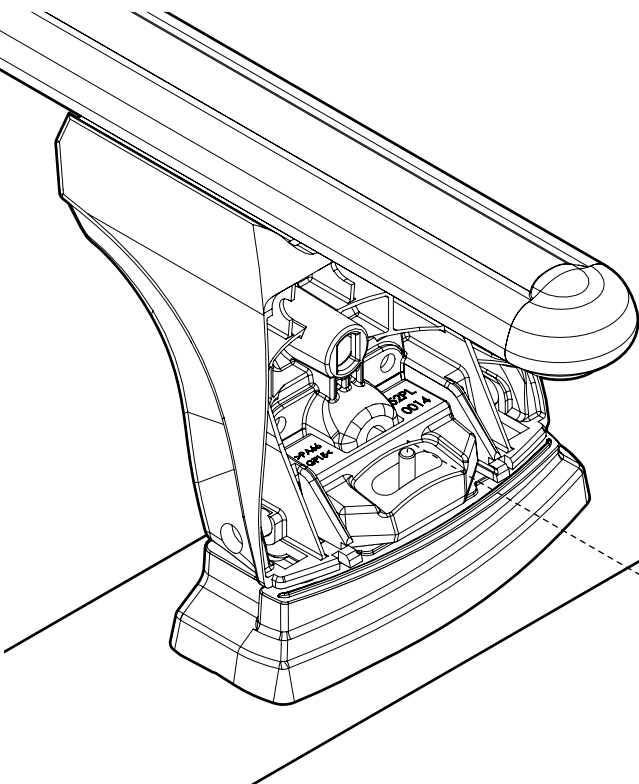
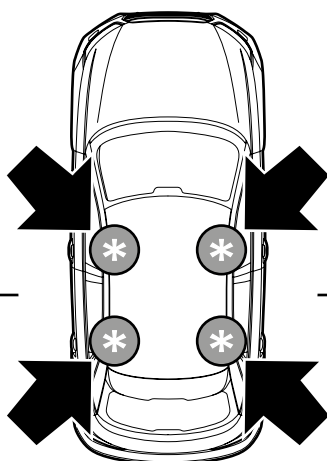
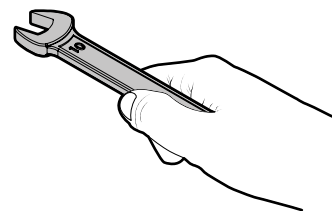
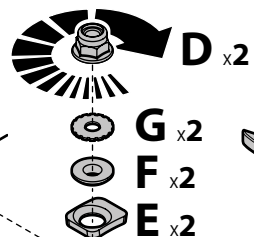
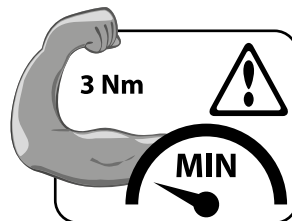
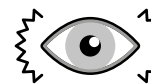
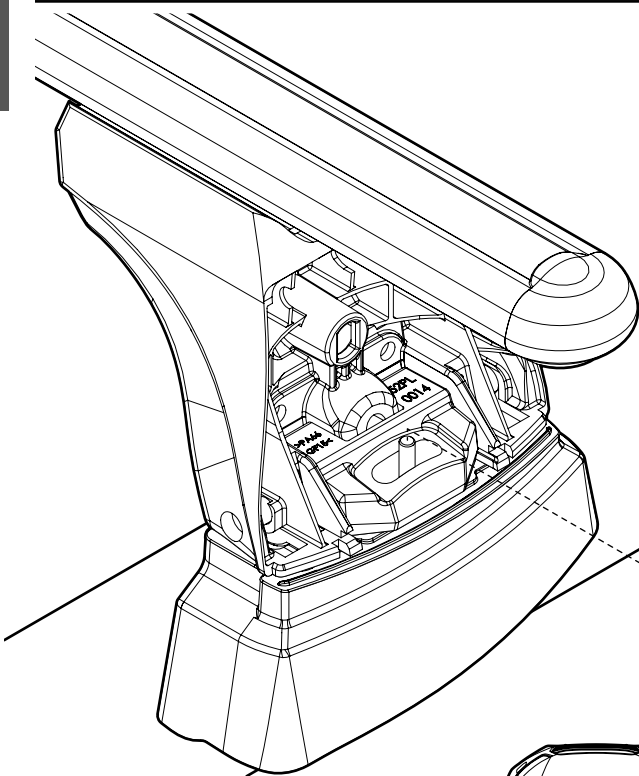


15

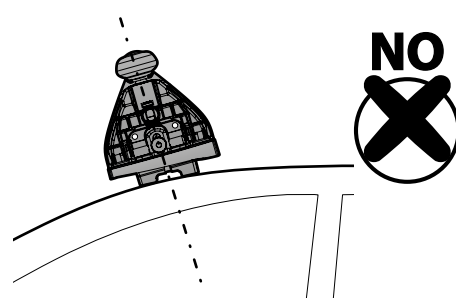
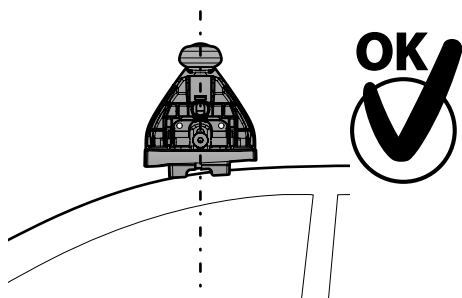




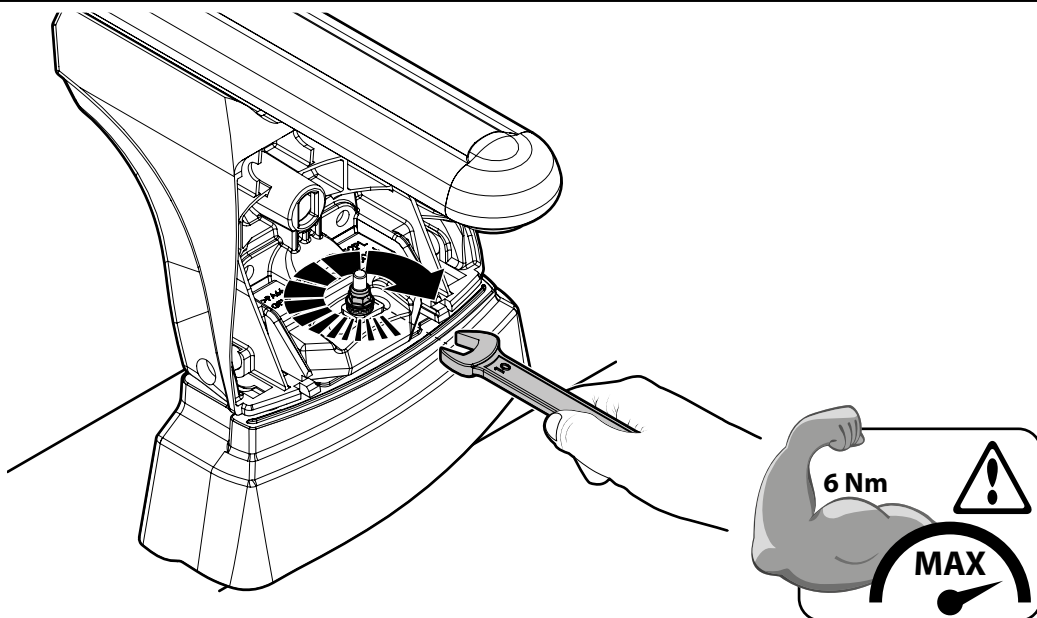
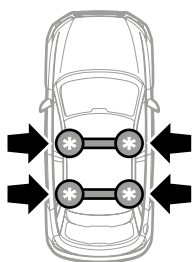
16



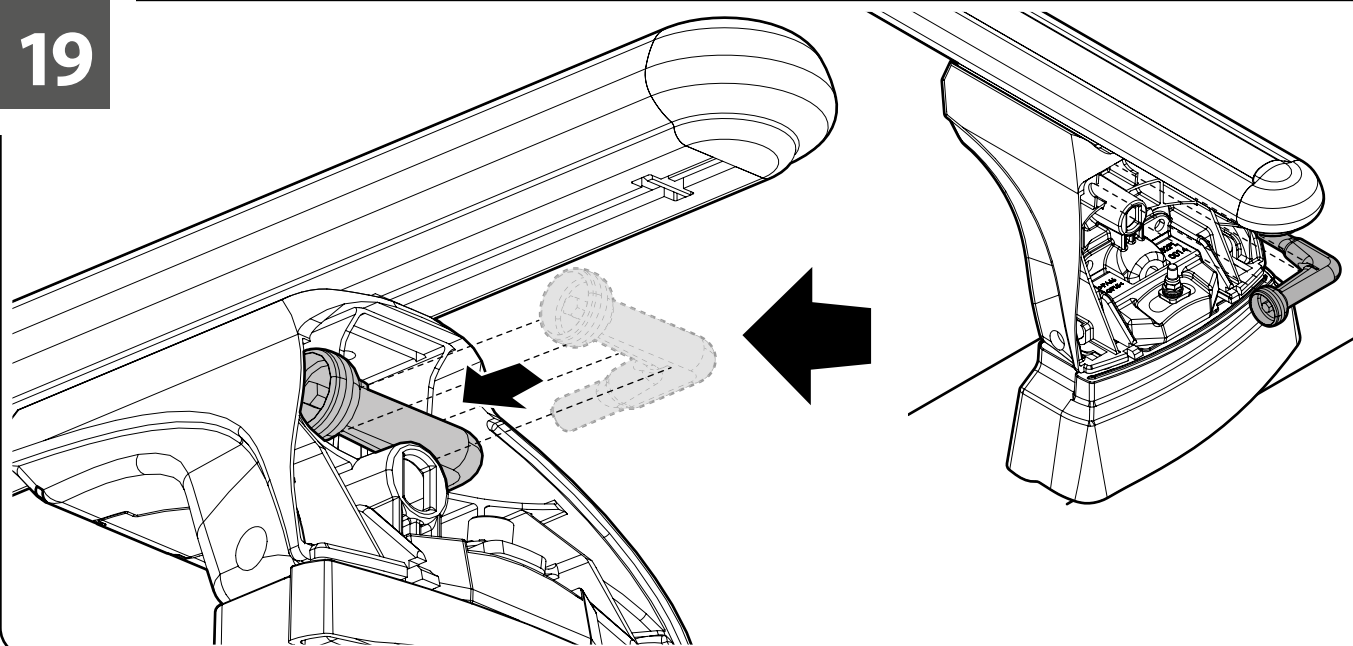
17



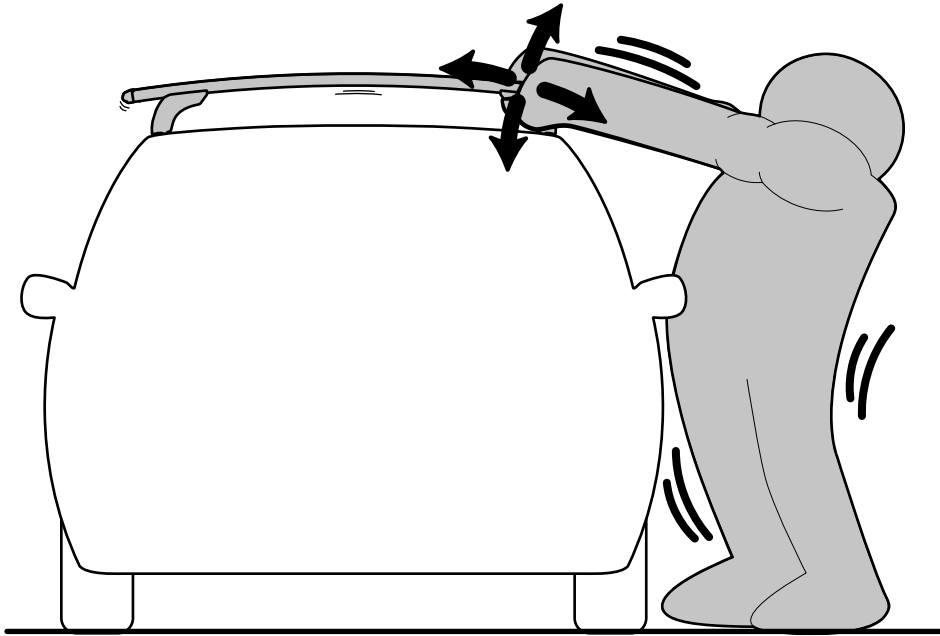
18



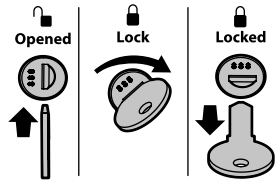
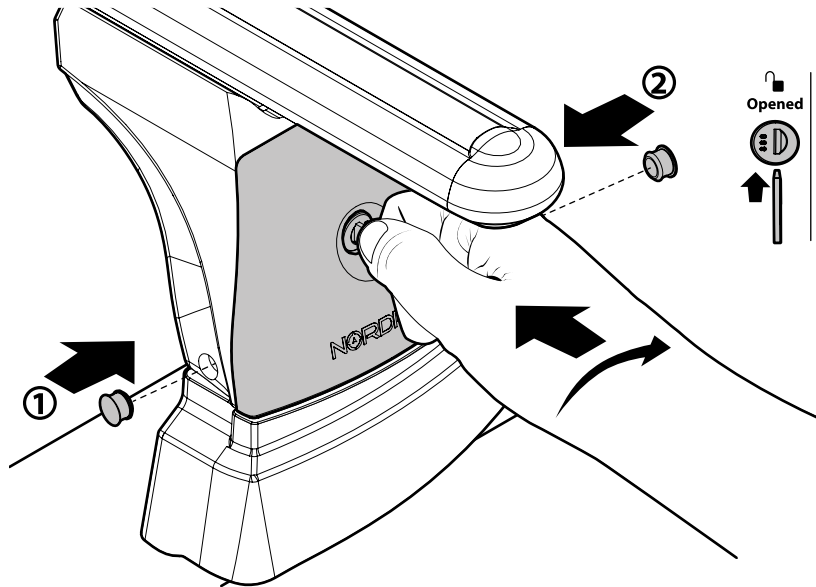
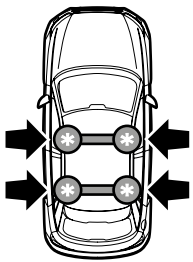
19



20



21



# EVOS

**NORDRIVE**<sup>®</sup>  
TRANSPORT SOLUTIONS

is a registered trade mark of

**LAMPA S.p.A.**

Via G. Rossa 53/55, 46019 Viadana (MN) ITALY

Tel. +39 0375 820700

UNI EN ISO 9001:2015 Certified Company

[www.nordrive.it](http://www.nordrive.it)

[www.lampa.it](http://www.lampa.it)