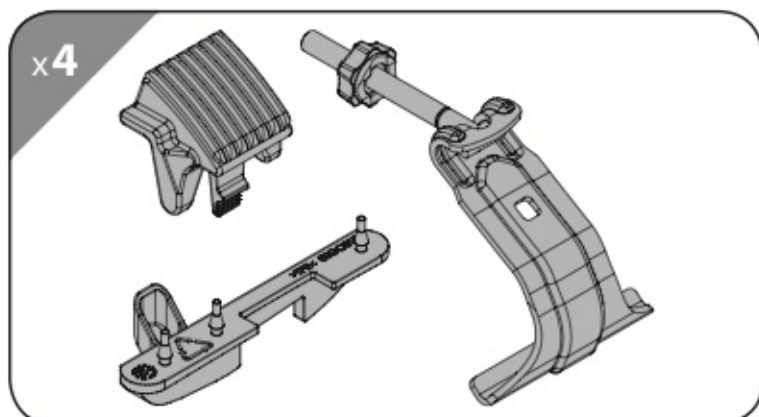


**K 5** Art. N21415

## CLAMP-Kit

FLUSH RAILING



Ⓡ Per   Ⓢ For   Ⓣ Pour   Ⓚ Für   Ⓛ Para

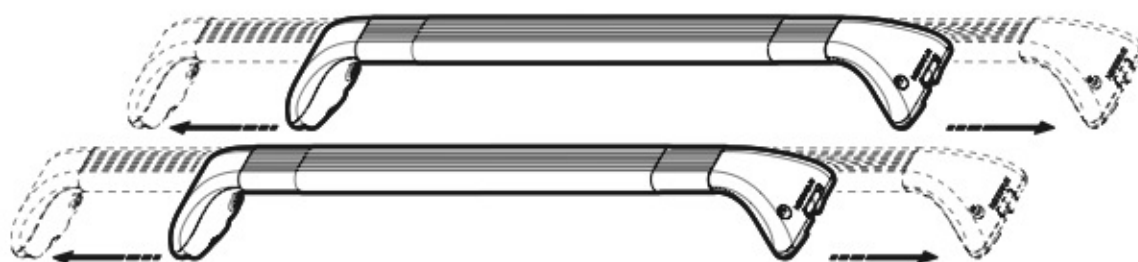
**SNAP** SERIES  
TELESCOPIC BARS

Acciaio / Steel / Acier / Stahl / Acero

**N15010 - N15012 - N15014 - N15016**

Alluminio / Aluminium / Aluminio

**N15011 - N15013 - N15015 - N15017**

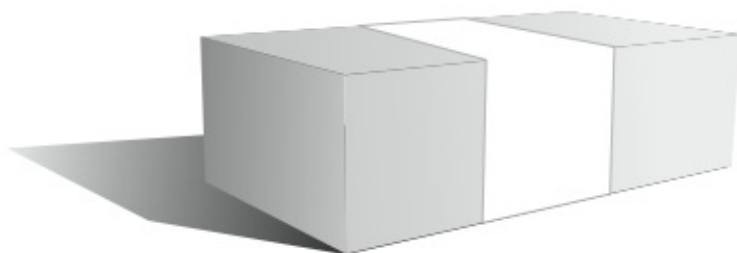


TESTATO E CERTIFICATO

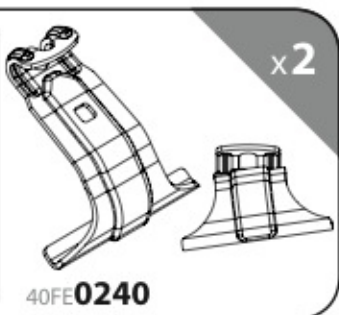
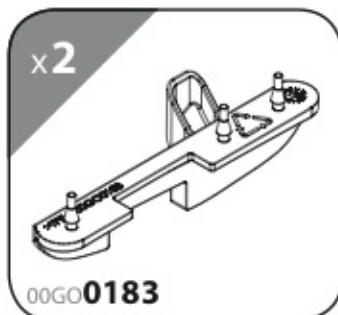
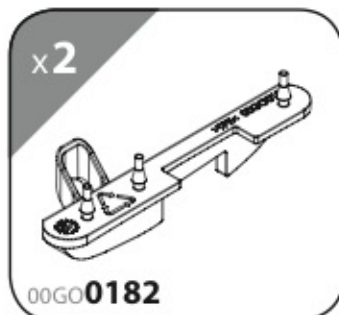
MAX  
**100** KG



TESTED AND APPROVED - GEPRÜFT UND ZERTIFIZIERT



**K 5**  
Art. **N21415**



Ⓘ Per    ⒼⒹ For    Ⓕ Pour    Ⓓ Für    Ⓔ Para

x2

## SNAP SERIES TELESCOPIC BARS

Acciaio / Steel / Acier / Stahl / Acero  
 Art. **N15010**    5,5 Kg.  
 Art. **N15012**    7 Kg.  
 Art. **N15014**    5,5 Kg.  
 Art. **N15016**    7 Kg.

Alluminio / Aluminium / Aluminio  
 Art. **N15011**    3,5 Kg.  
 Art. **N15013**    4 Kg.  
 Art. **N15015**    3,5 Kg.  
 Art. **N15017**    4 Kg.

1



MAX  
100 KG



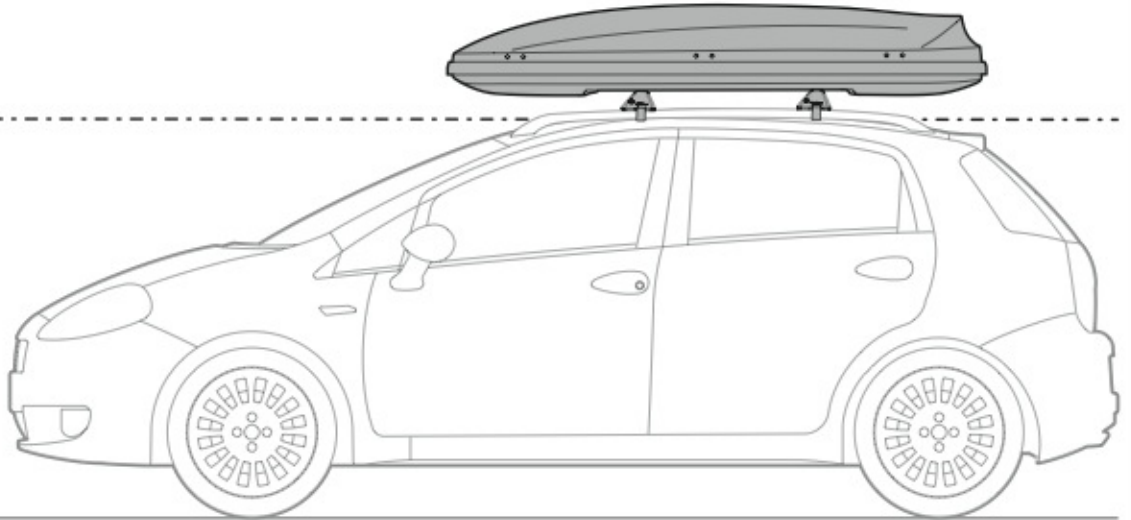
TESTATO E CERTIFICATO  
TESTED AND APPROVED  
GEPRÜFT UND ZERTIFIZIERT

1

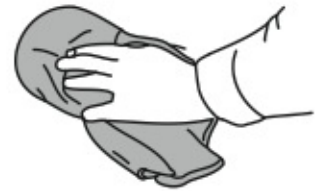
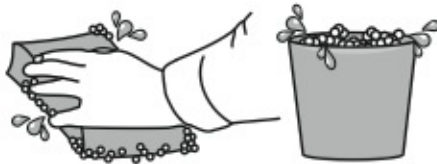
2



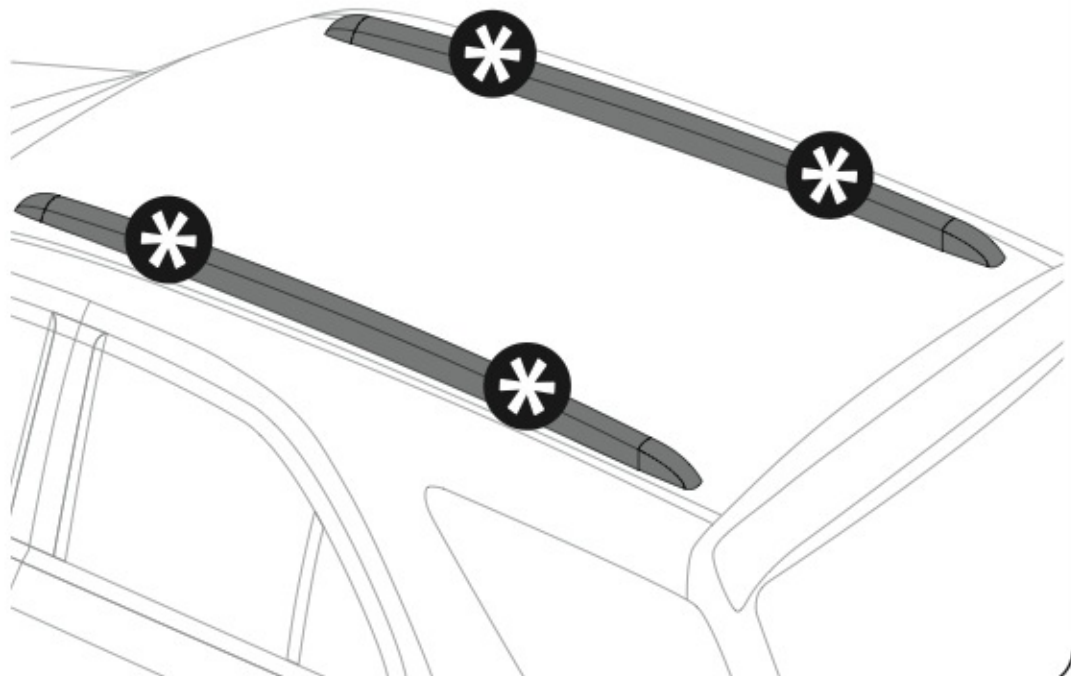
max:  
??? Kg.

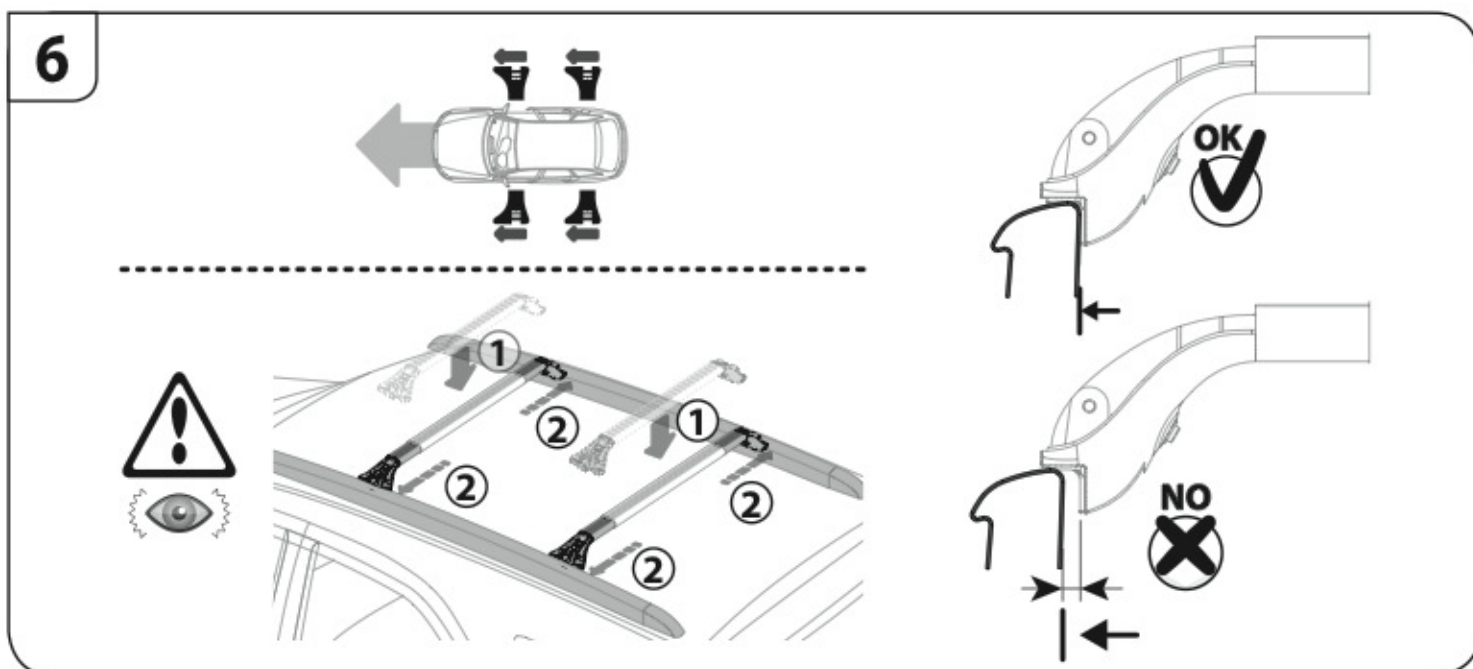
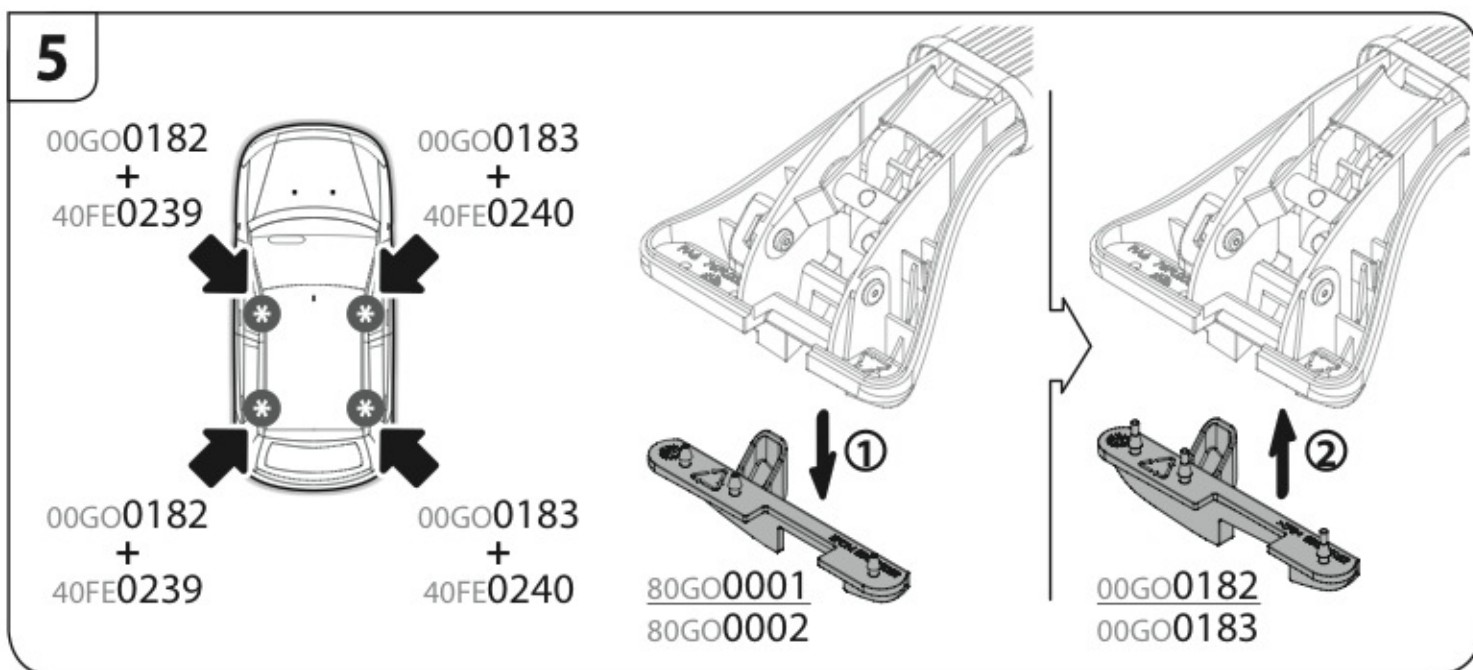
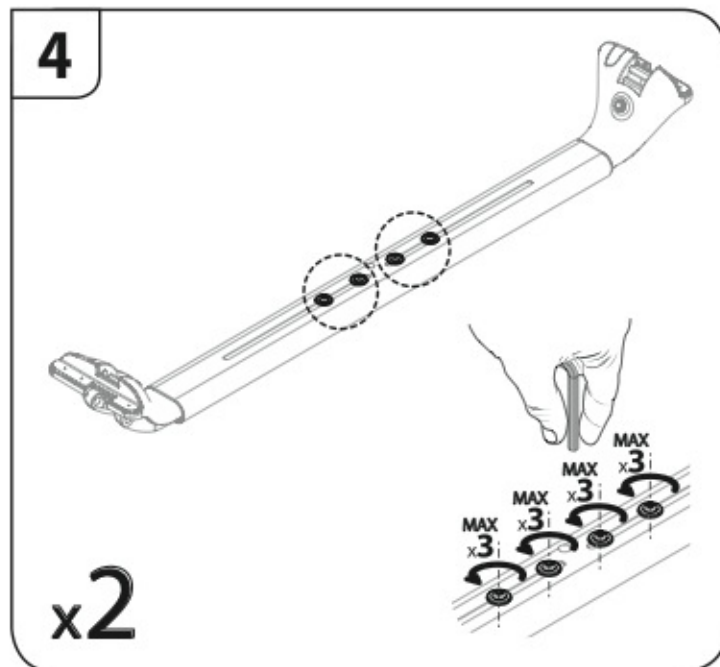
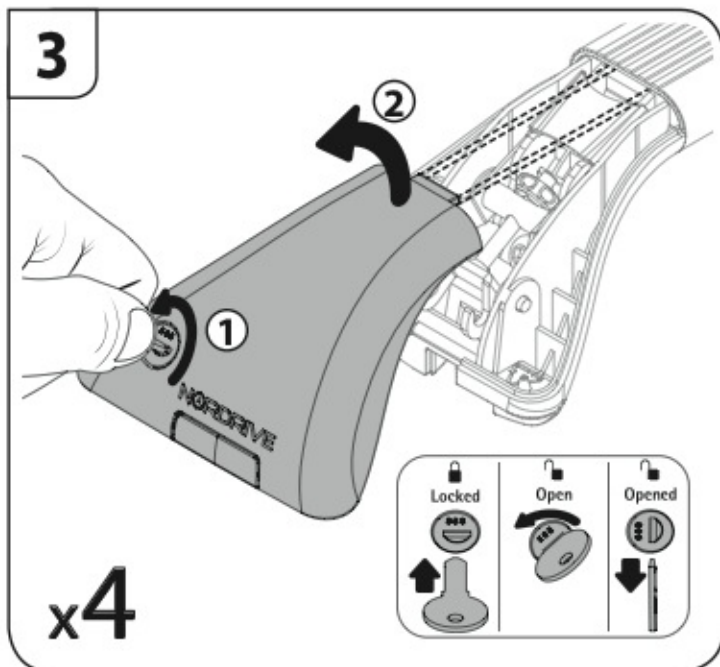


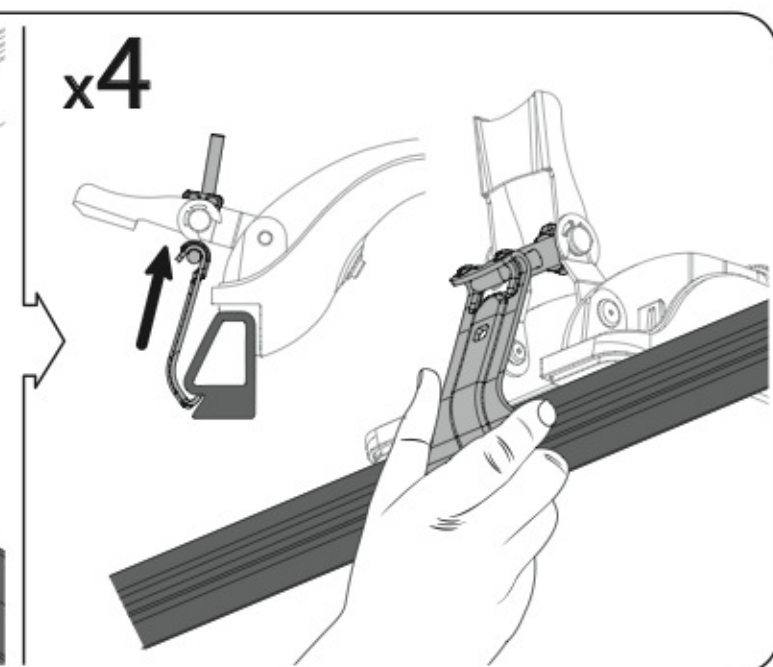
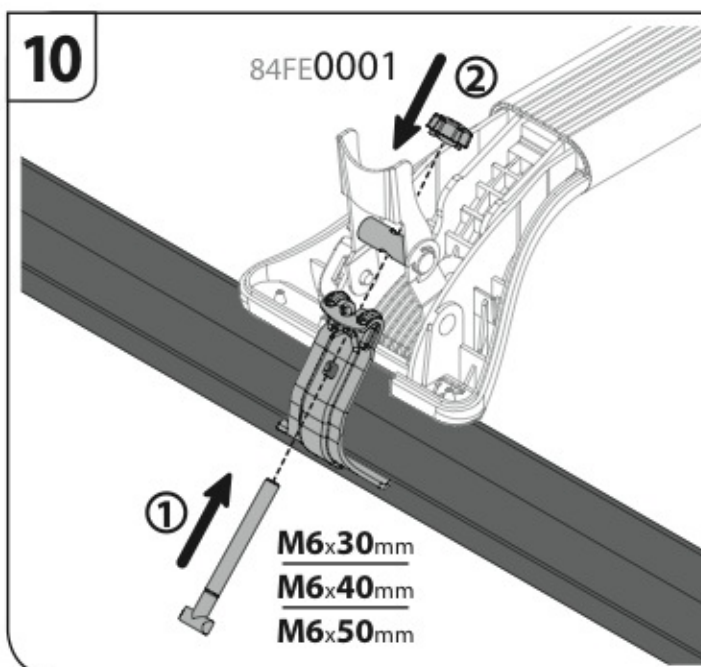
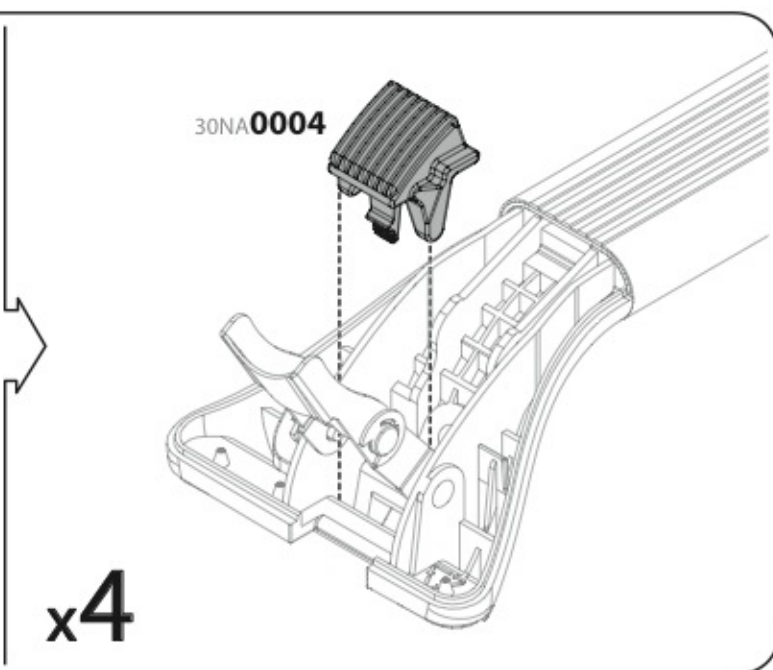
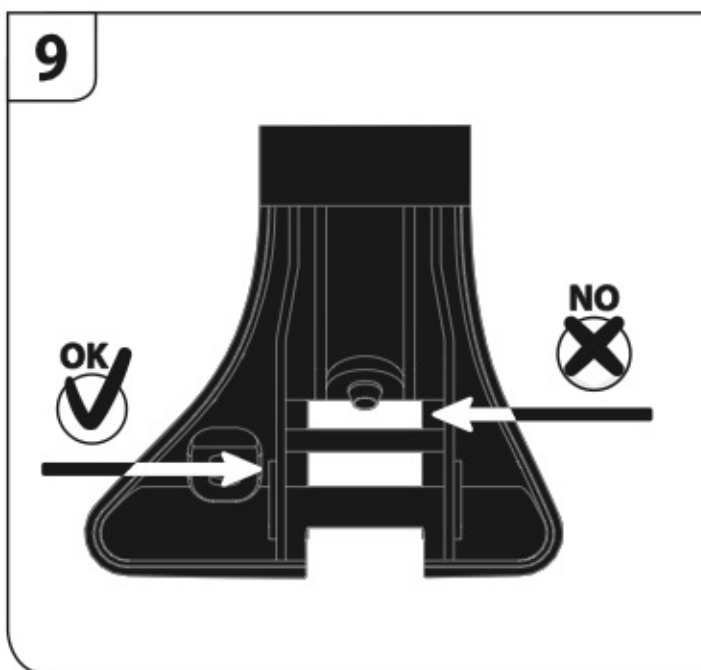
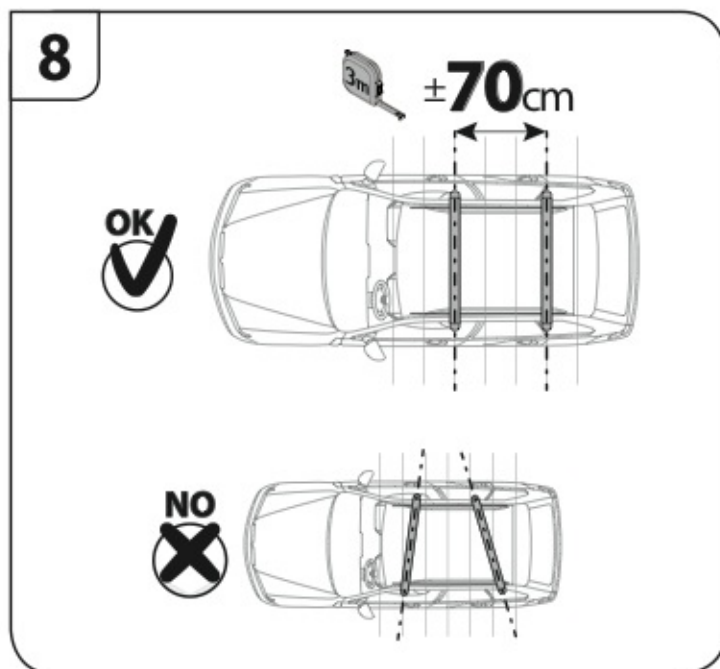
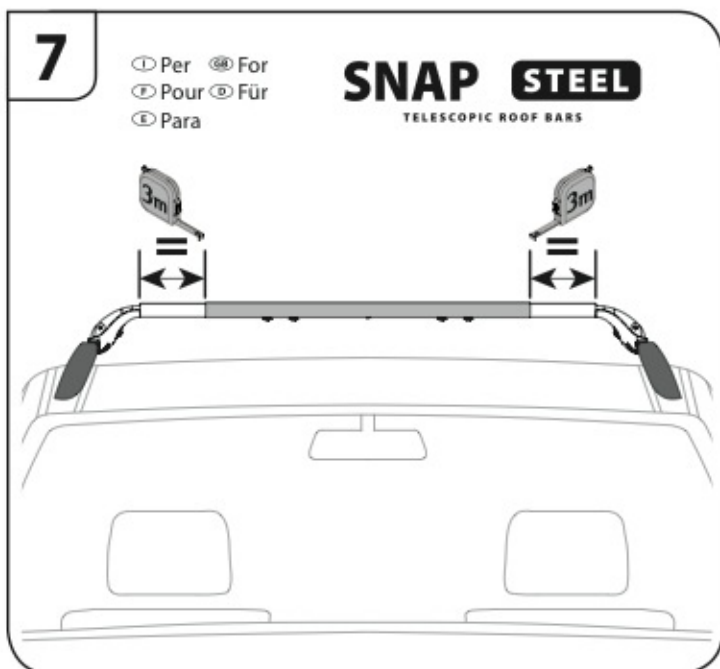
2



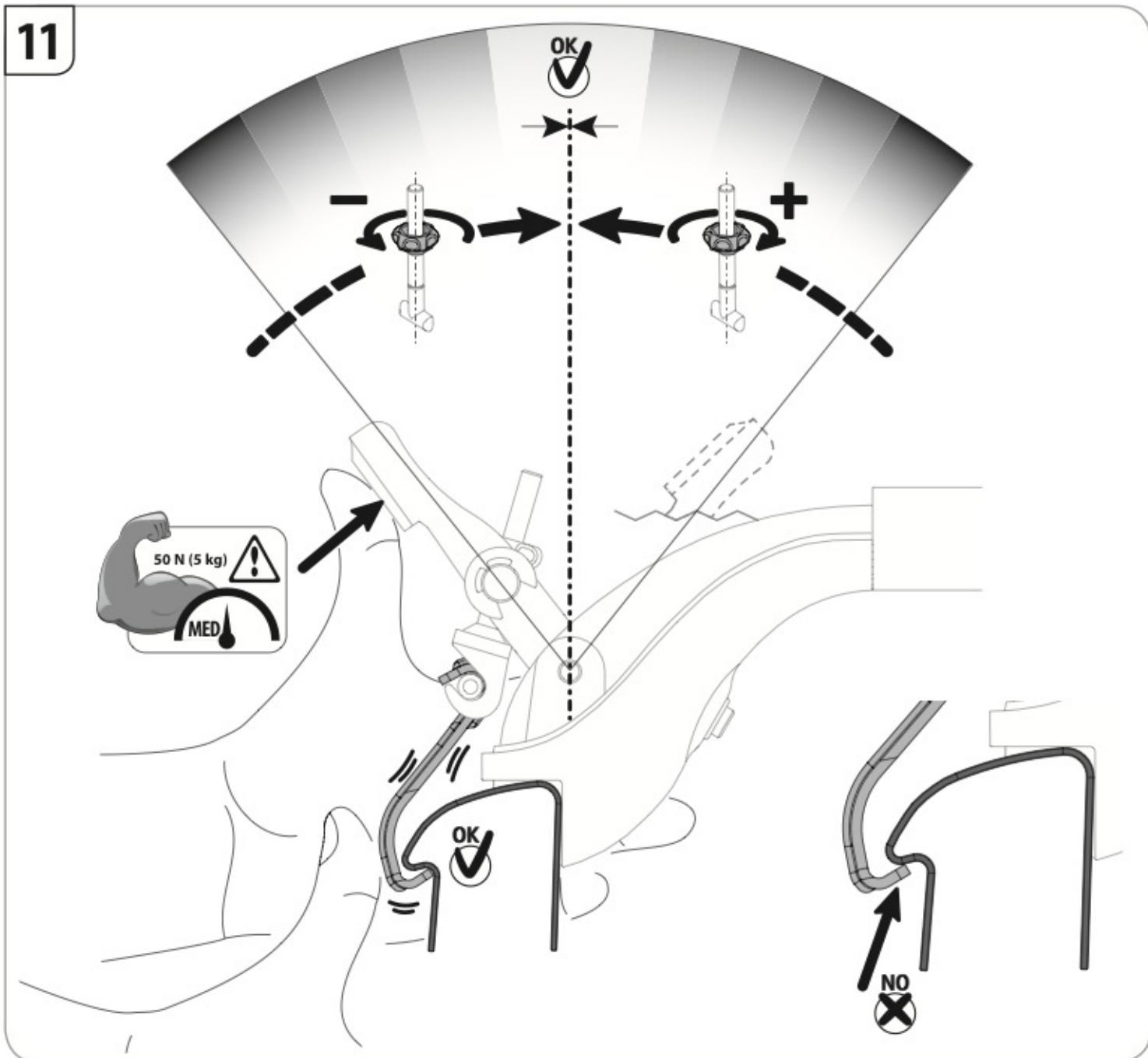
Safety Regulations



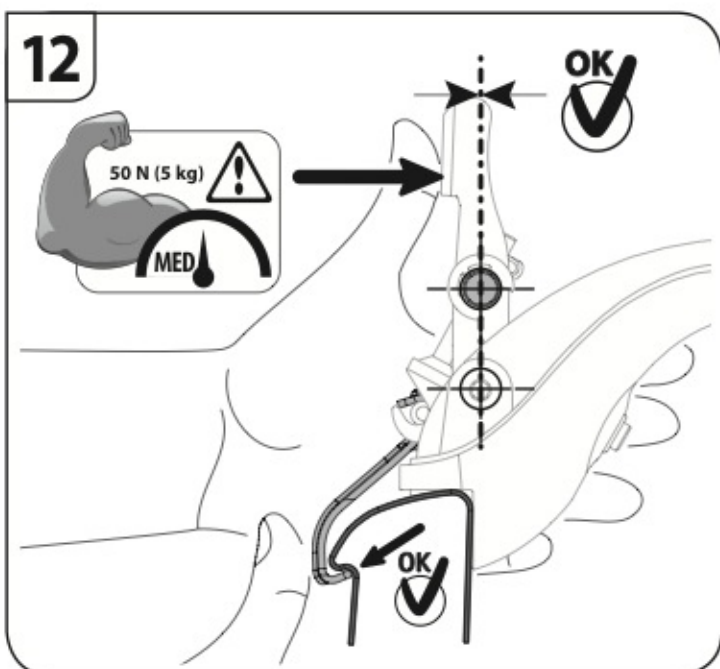




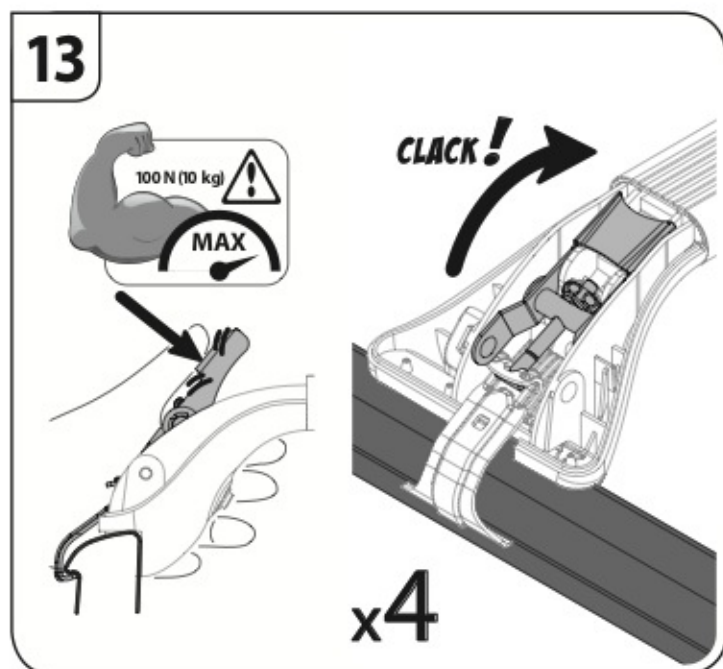
11



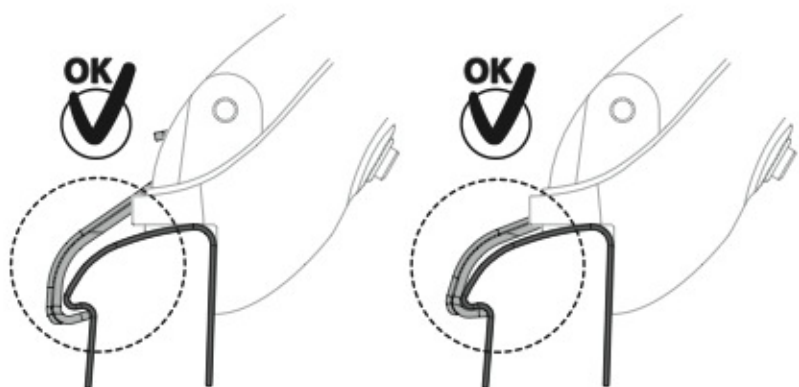
12



13



14



**ATTENZIONE**  
WARNING



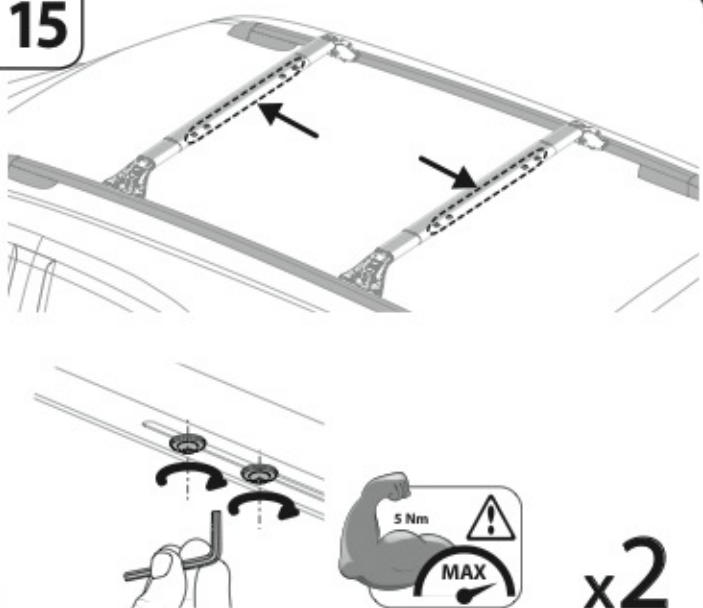
**NO**



**NO**



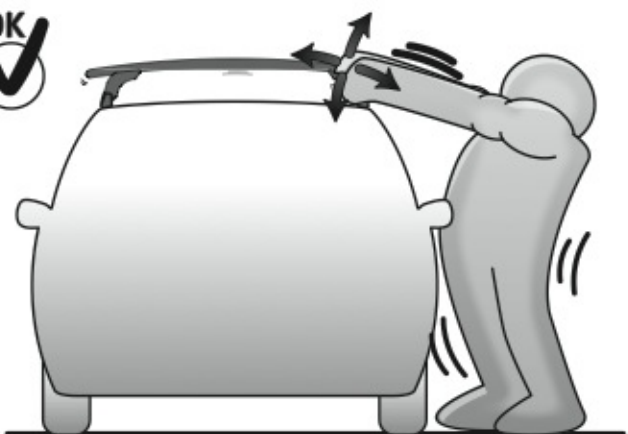
15



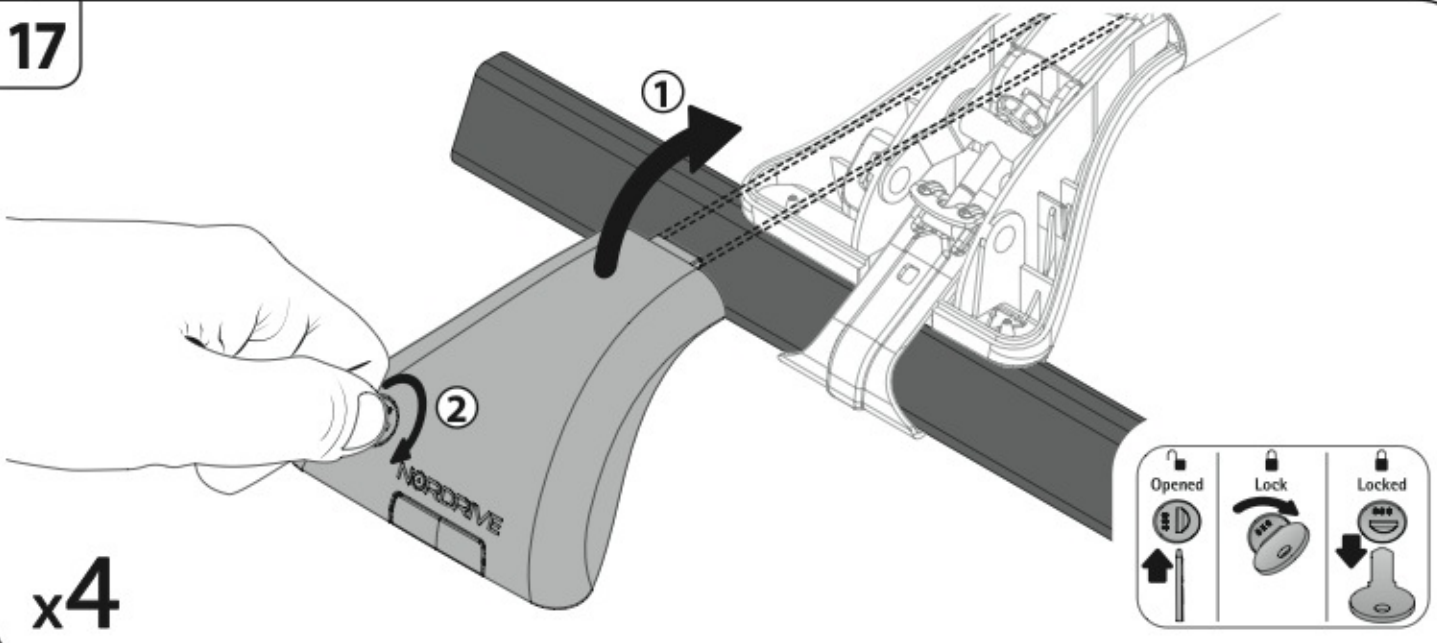
x2

16

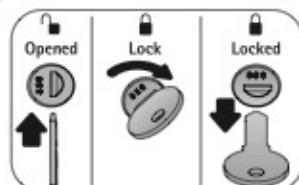
**OK**



17



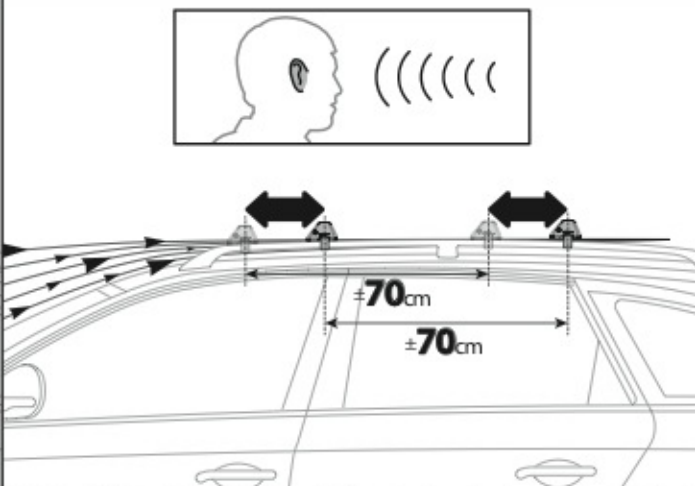
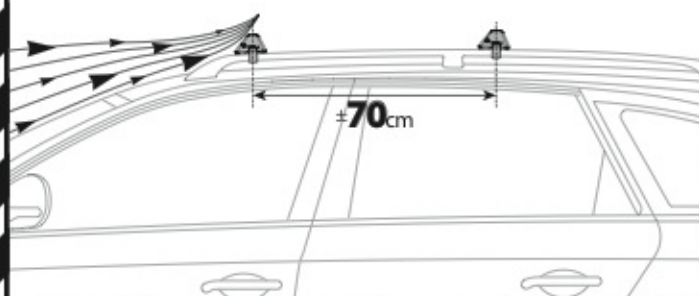
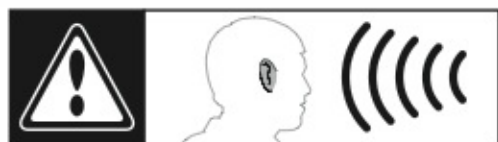
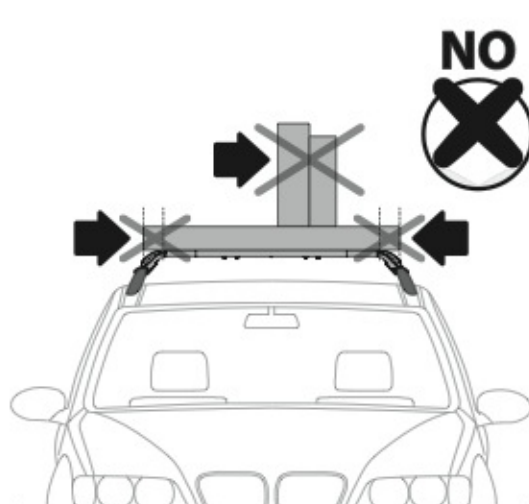
x4





# ATTENZIONE

WARNING



**NORDRIVE**<sup>®</sup>  
TRANSPORT SOLUTIONS

is a registered trademark of

**LAMPA S.p.A.**

46019 Viadana (MN) ITALY  
Ditta certificata UNI ENI ISO 9001:2008

[www.nordrive.it](http://www.nordrive.it) [www.lampa.it](http://www.lampa.it)