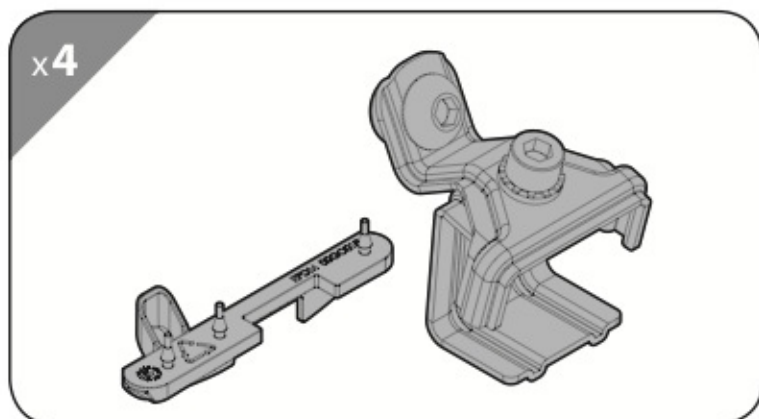


K 6 Art. **N21416**

CLAMP-Kit

FLUSH RAILING



Ⓛ Per Ⓜ For Ⓧ Pour Ⓨ Für Ⓩ Para

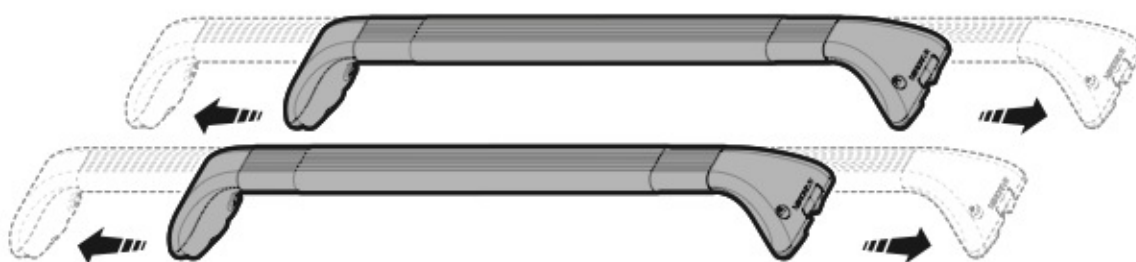
SNAP SERIES
TELESCOPIC BARS

Acciaio / Steel / Acier / Stahl / Acero

N15010 - N15012 - N15014 - N15016

Alluminio / Aluminium / Aluminio

N15011 - N15013 - N15015 - N15017






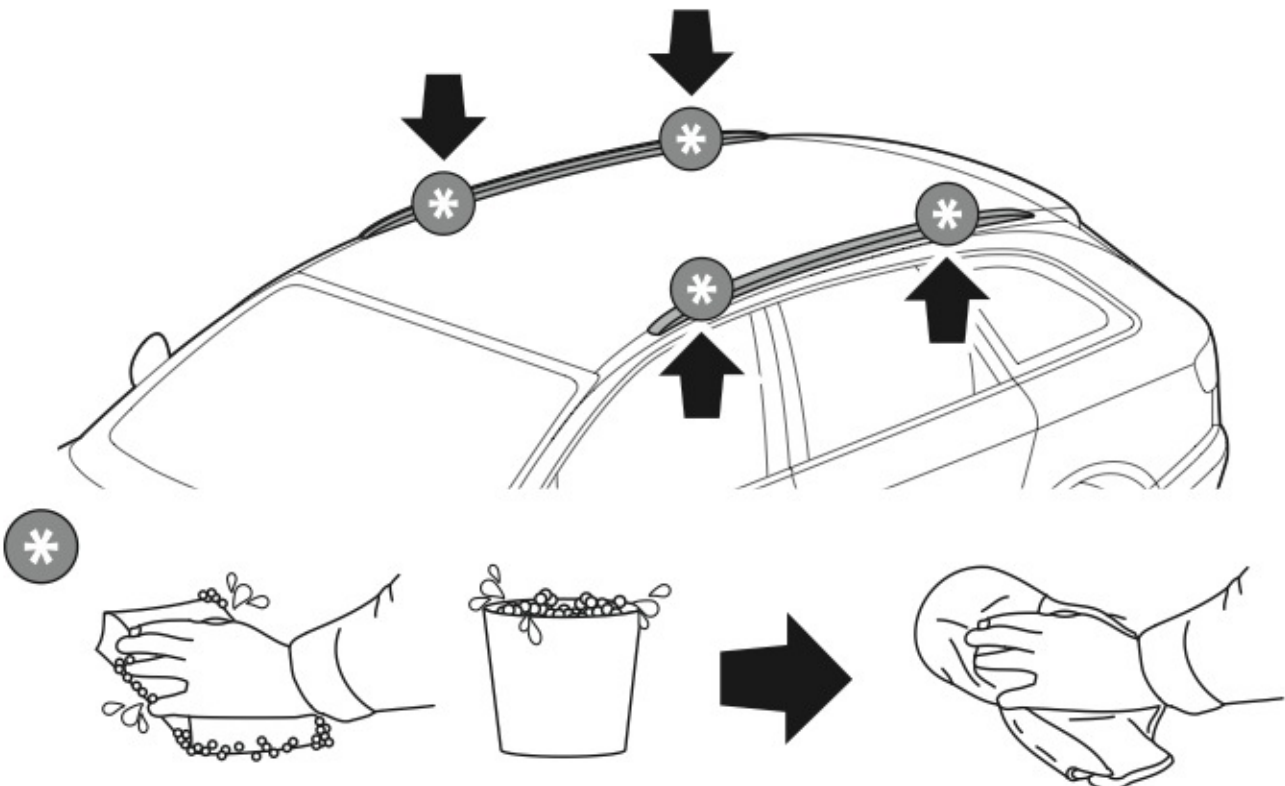
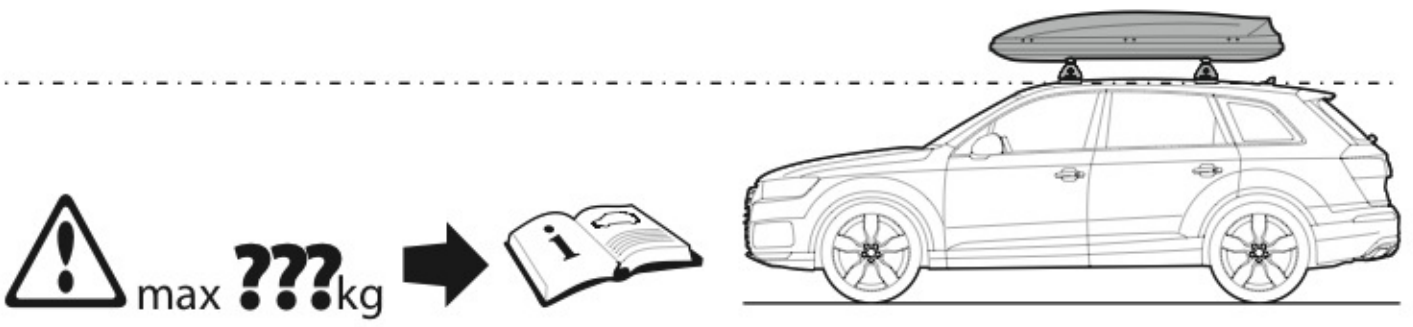
TESTATO E CERTIFICATO

MAX
100 KG



TESTED AND APPROVED - GEPRÜFT UND ZERTIFIZIERT


 +
 
 +
 
 = max kg. **100**





NORDRIVE®

TRANSPORT SOLUTIONS

K 6

Art. **N21416**

x2

SNAP SERIES TELESCOPIC BARS

Acciaio / Steel / Acier / Stahl / Acero

Art. **N15010** 5,5 Kg.

Art. **N15012** 7 Kg.

Art. **N15014** 5,5 Kg.

Art. **N15016** 7 Kg.

Alluminio / Aluminium / Aluminio

Art. **N15011** 3,5 Kg.

Art. **N15013** 4 Kg.

Art. **N15015** 3,5 Kg.

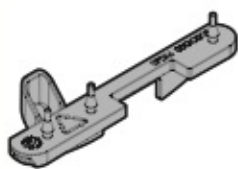
Art. **N15017** 4 Kg.

x1



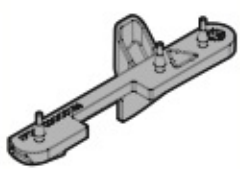
72FE0002

x2



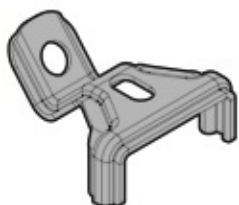
00GO0184

x2



00GO0185

x4



40FE0249

x4



40FE0250

x4



83AX0001

x4



M6x16

60CE6016

x4



60BE8012

x4



61ED0611

x4

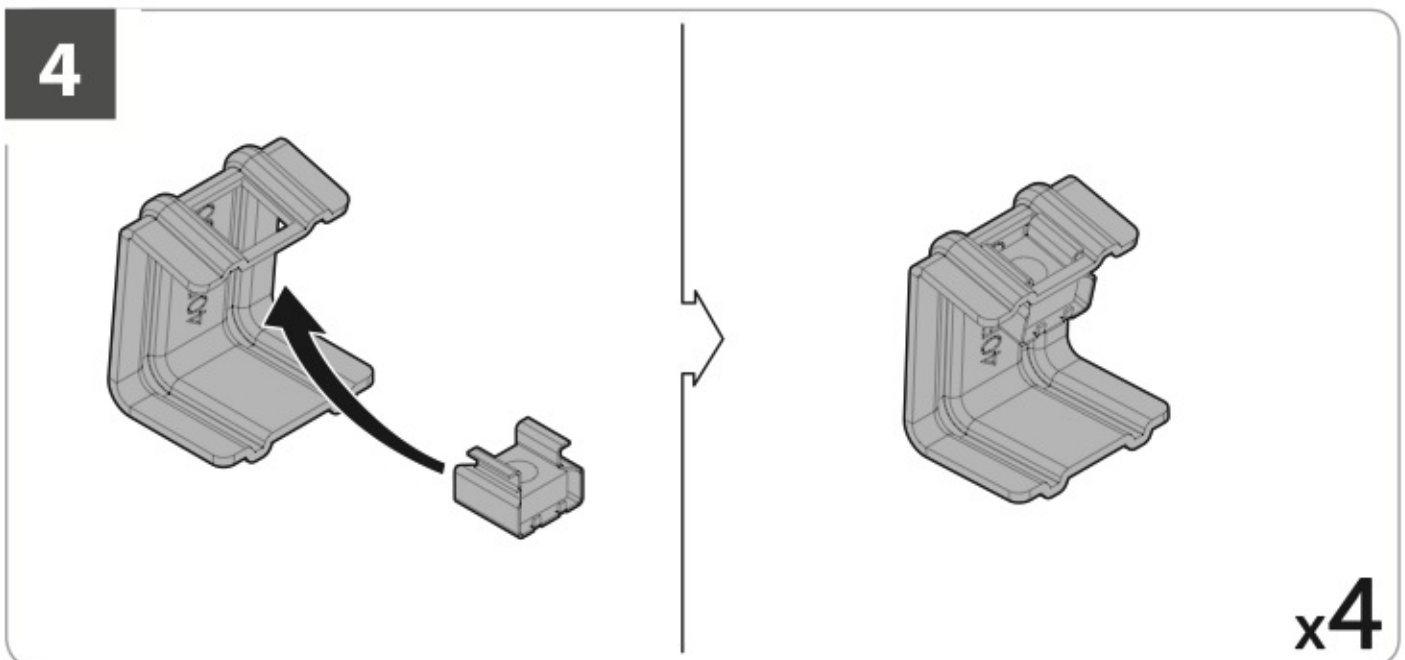
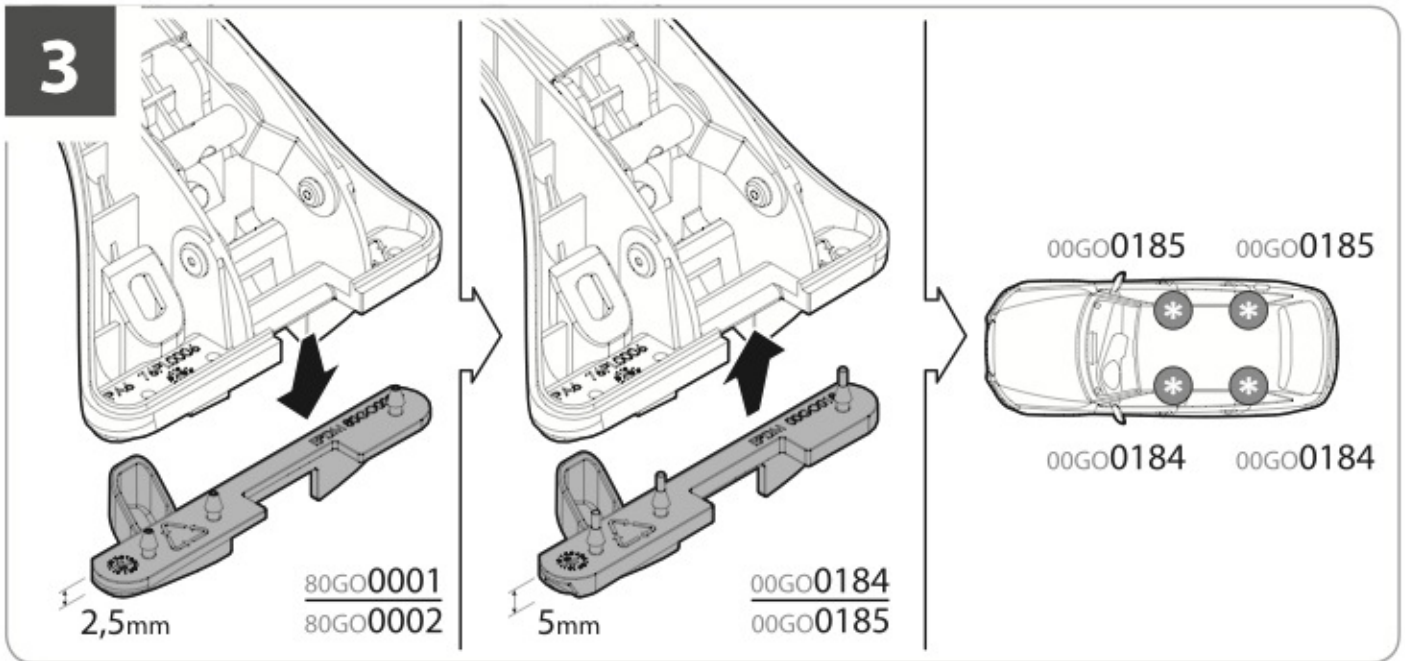
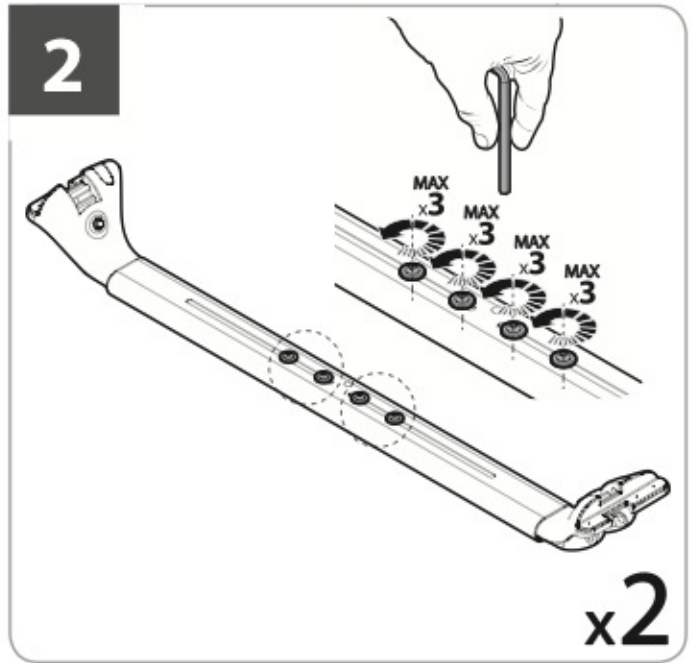
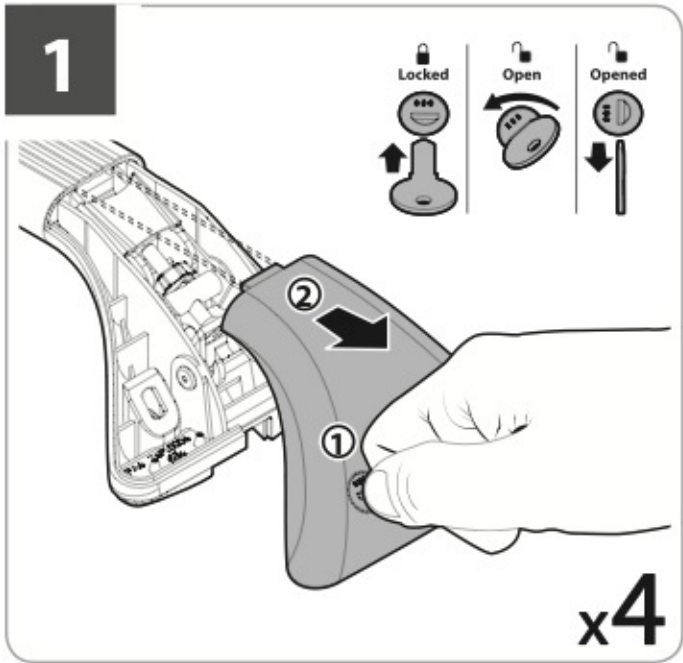


61FN0612

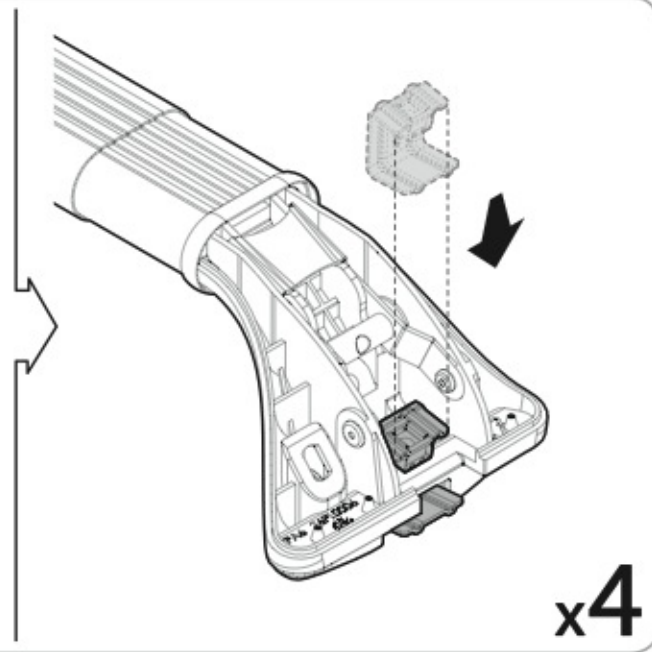
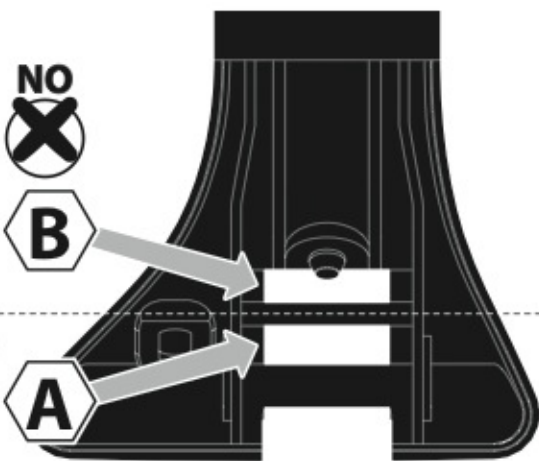
x4



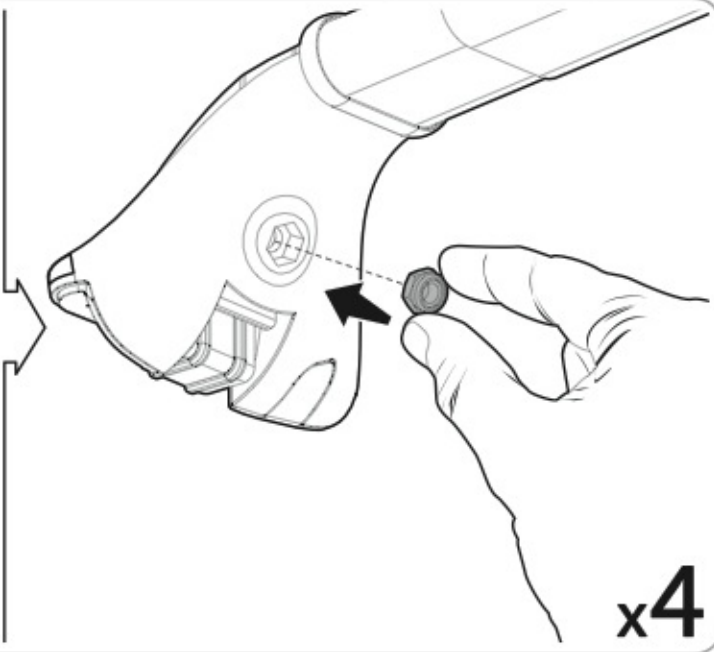
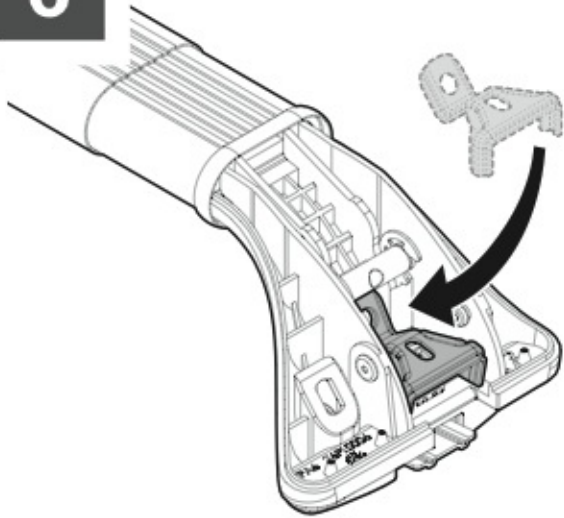
62BB0800



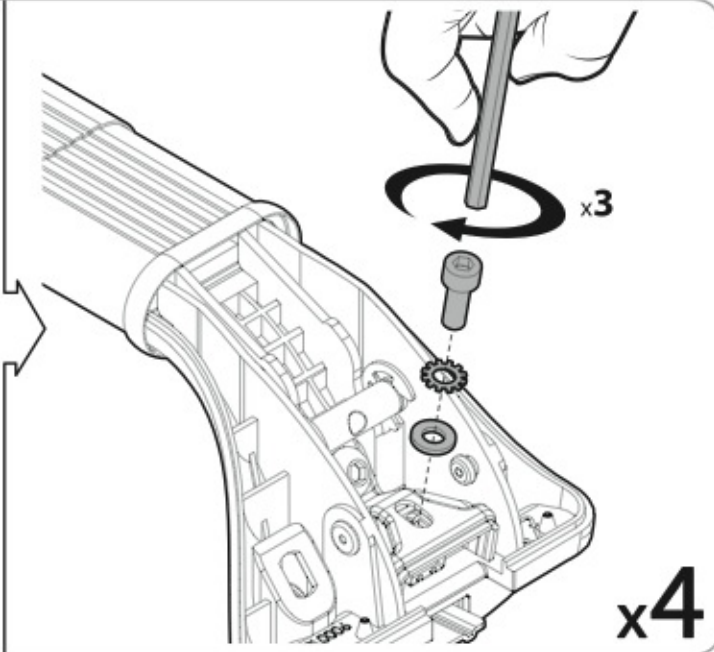
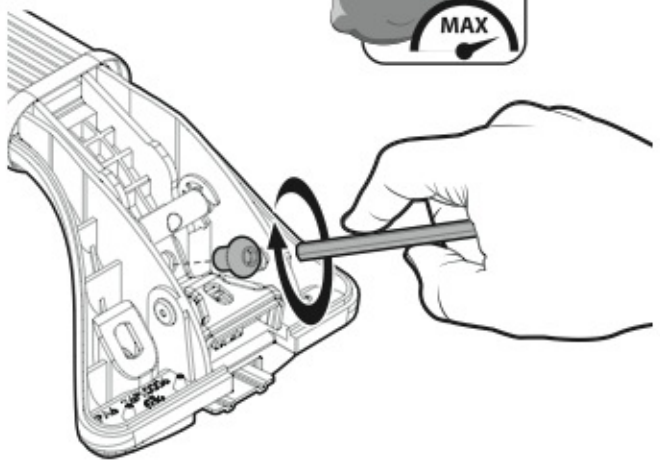
5

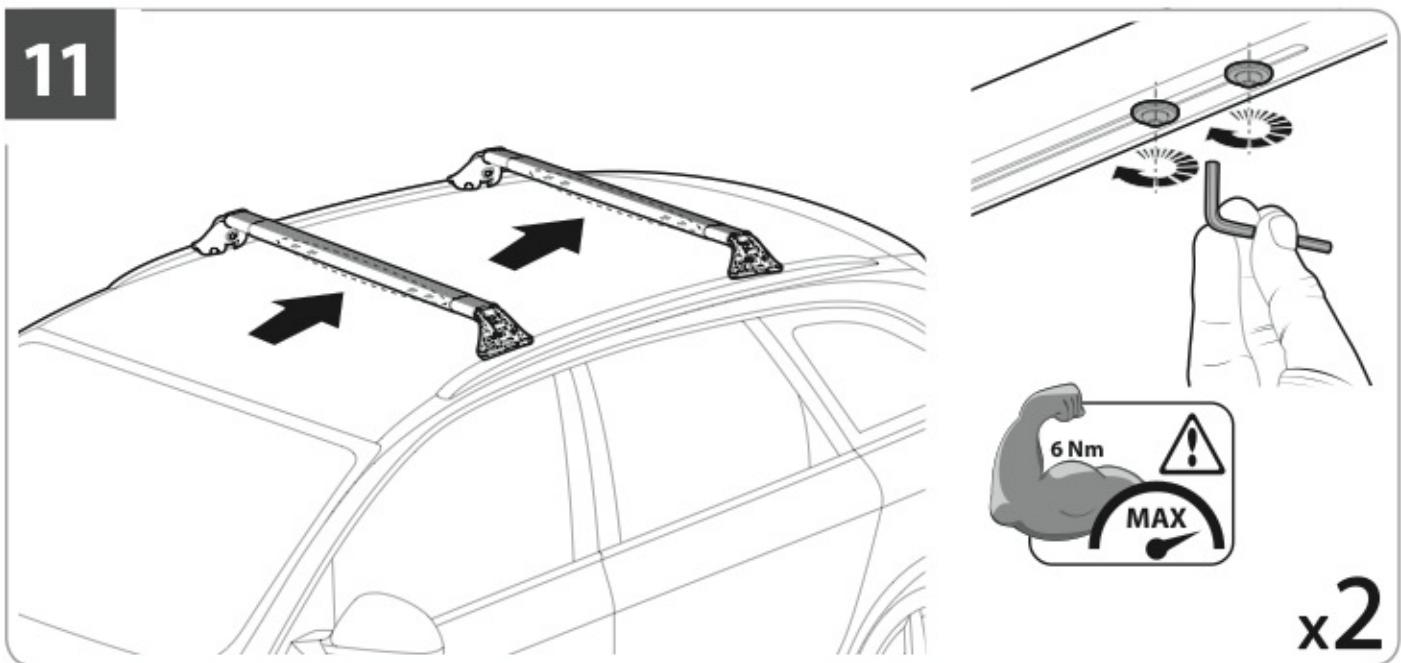
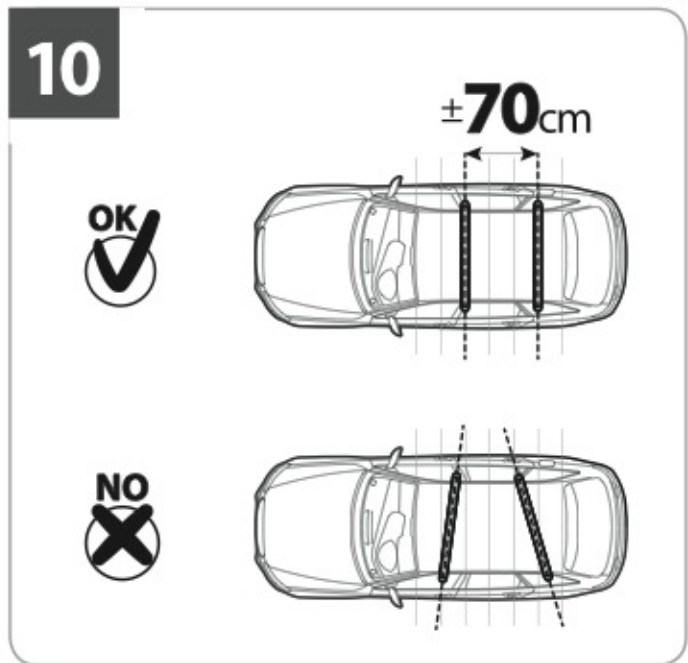
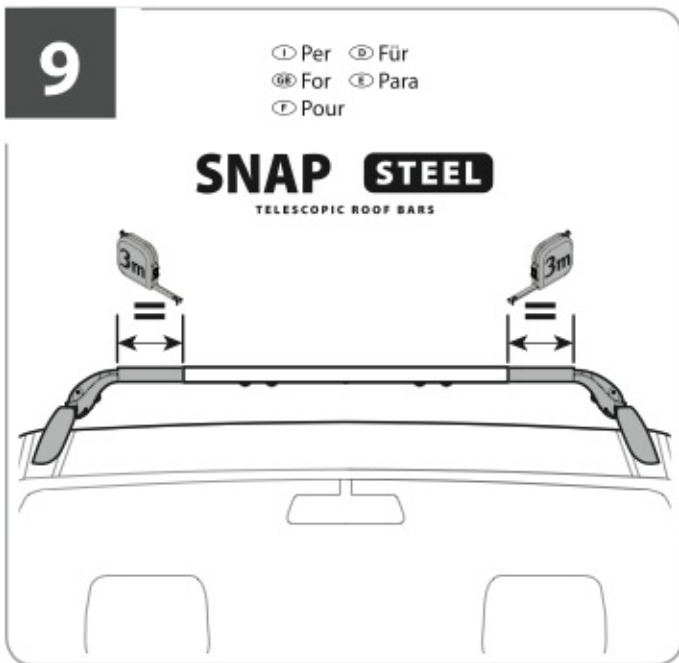
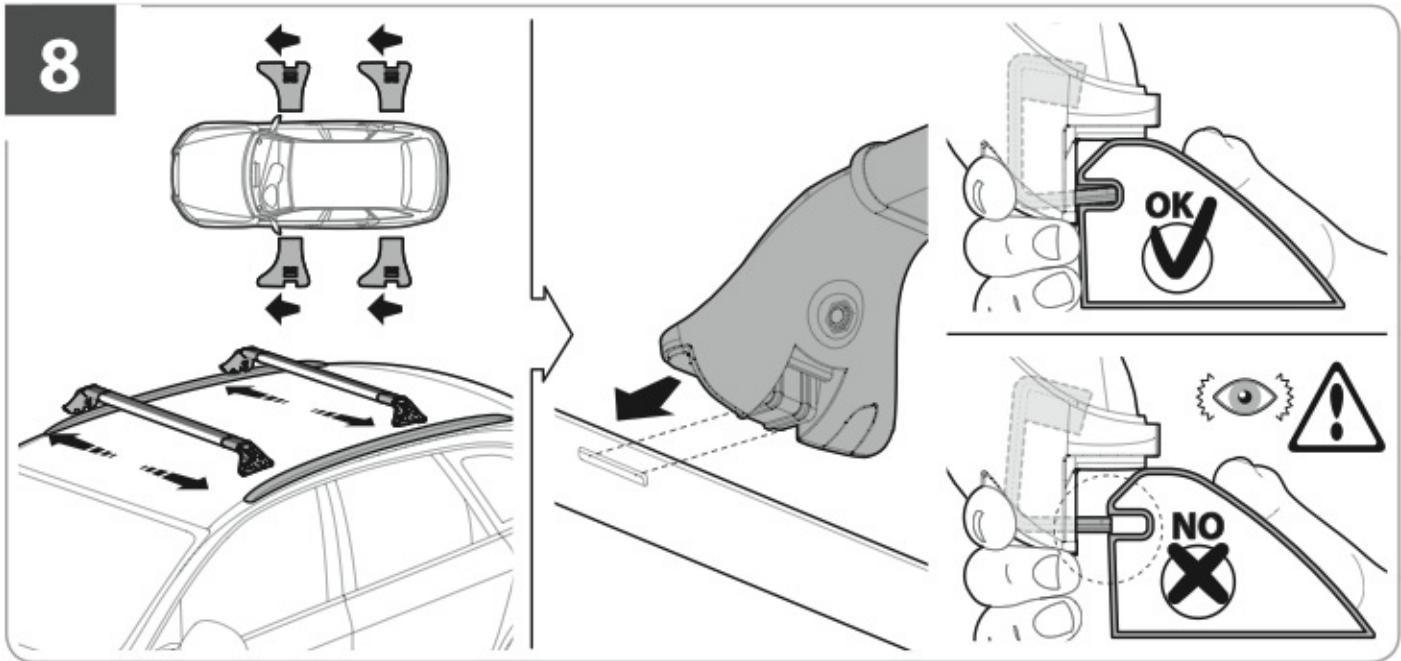


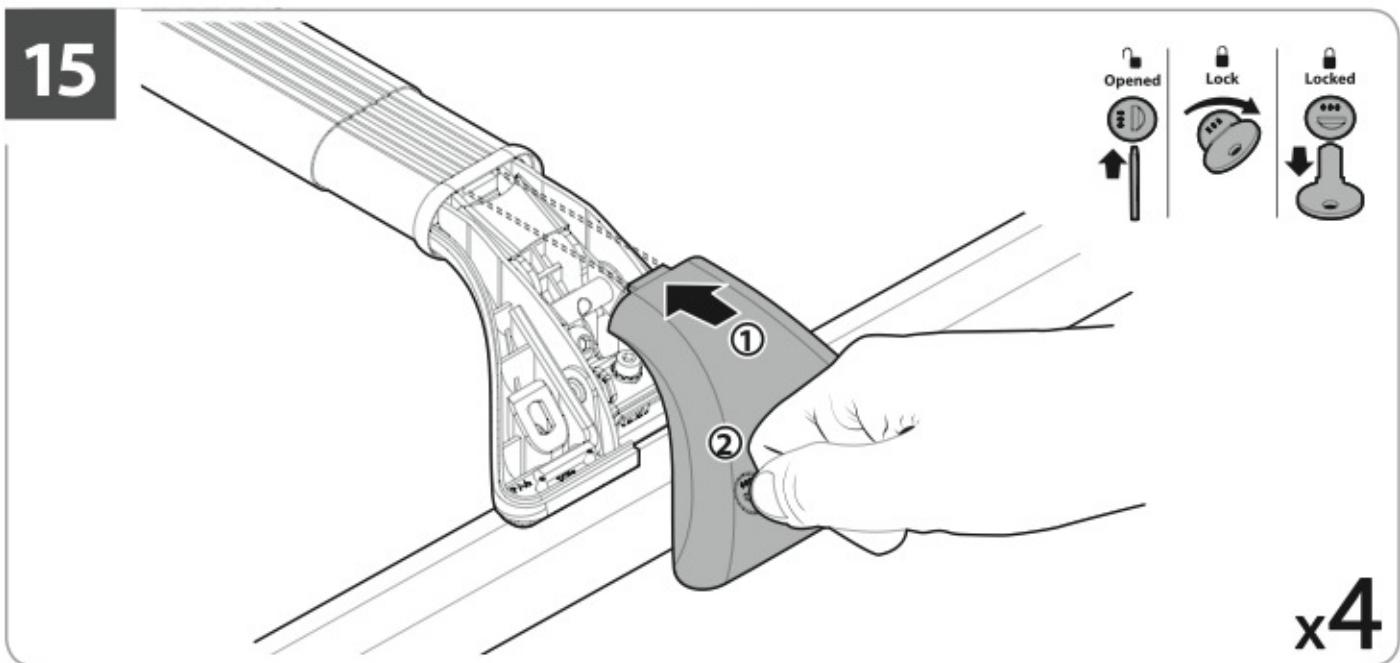
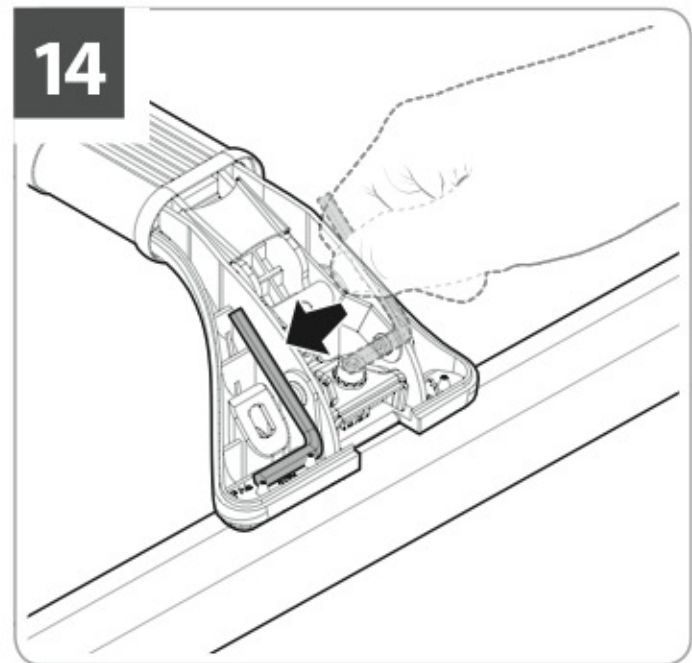
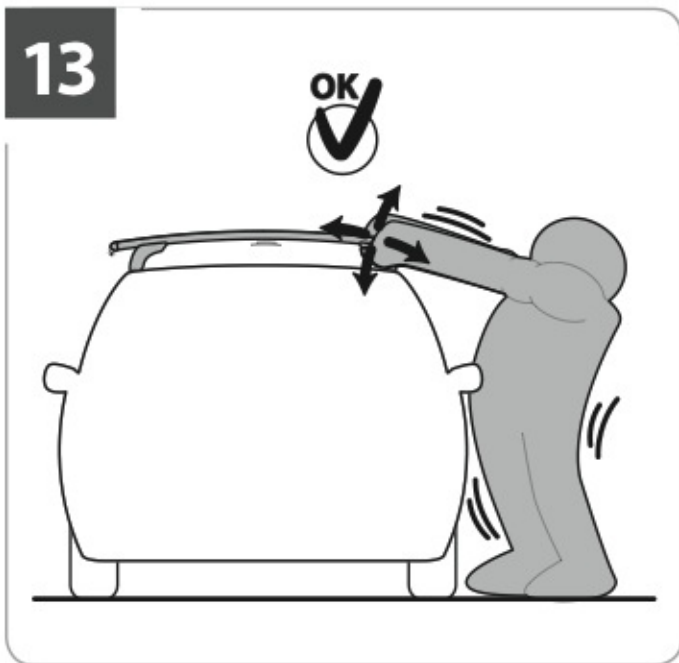
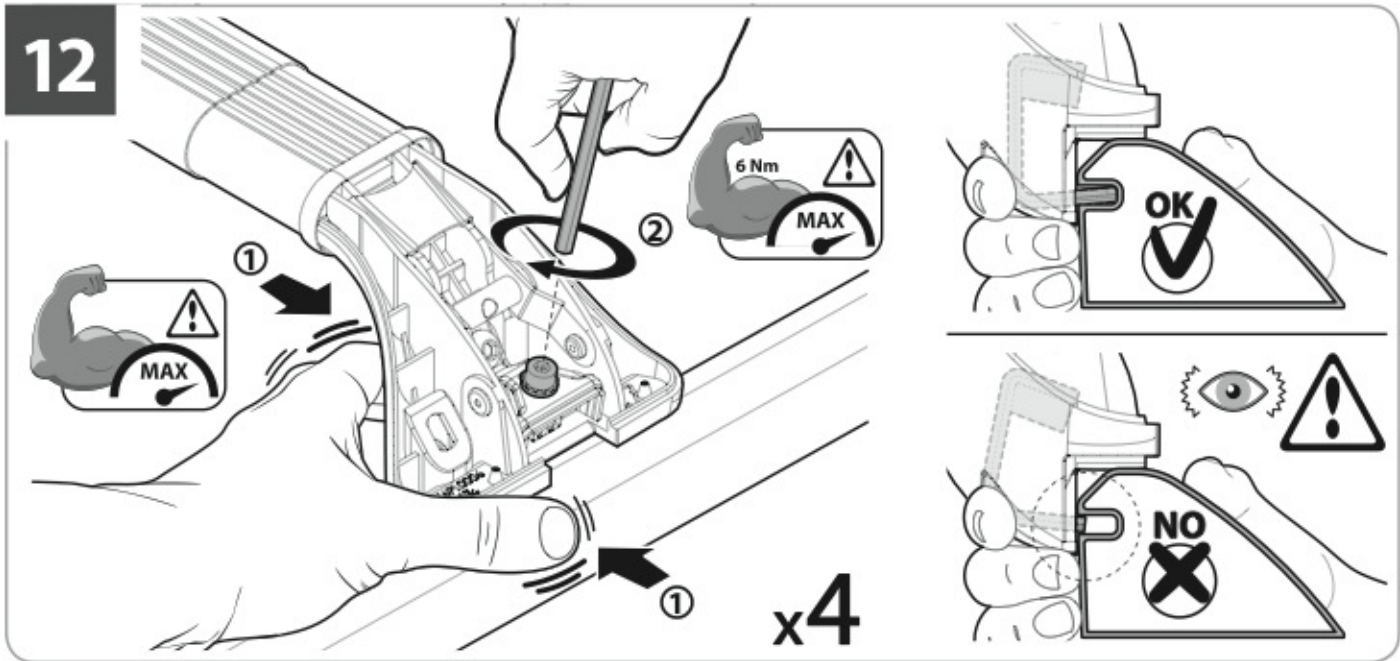
6



7



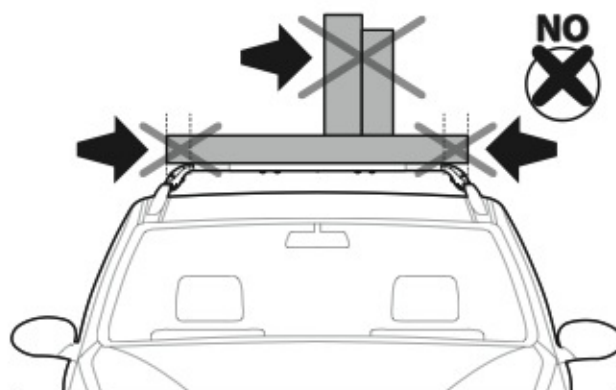
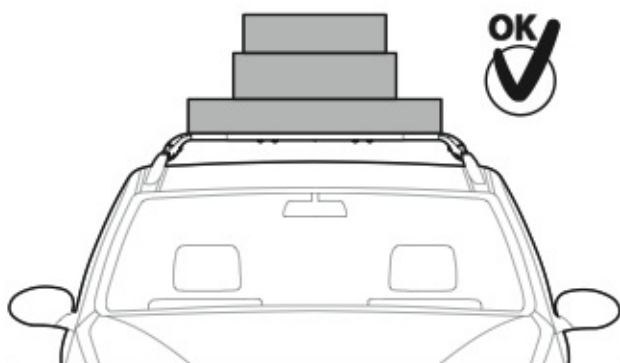






ATTENZIONE

WARNING



NORDRIVE[®]

TRANSPORT SOLUTIONS

**NORDRIVE[®] is a registered trademark of
LAMPA S.p.A.**

Via G. Rossa 53/55, 46019 Viadana (MN) ITALY
Tel. +39 0375 820700
UNI EN ISO 9001:2008 Certified Company

www.nordrive.it
www.lampa.it