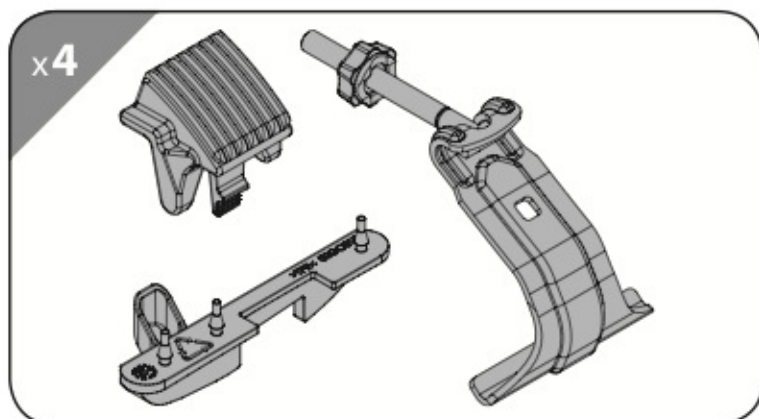


K 8 Art. N21418

CLAMP-Kit

FLUSH RAILING



Ⓛ Per Ⓜ For Ⓧ Pour Ⓨ Für Ⓩ Para

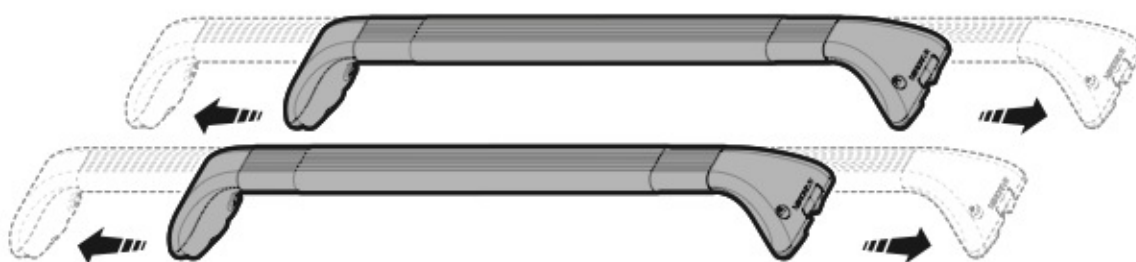
SNAP SERIES
TELESCOPIC BARS

Acciaio / Steel / Acier / Stahl / Acero

N15010 - N15012 - N15014 - N15016

Alluminio / Aluminium / Aluminio

N15011 - N15013 - N15015 - N15017



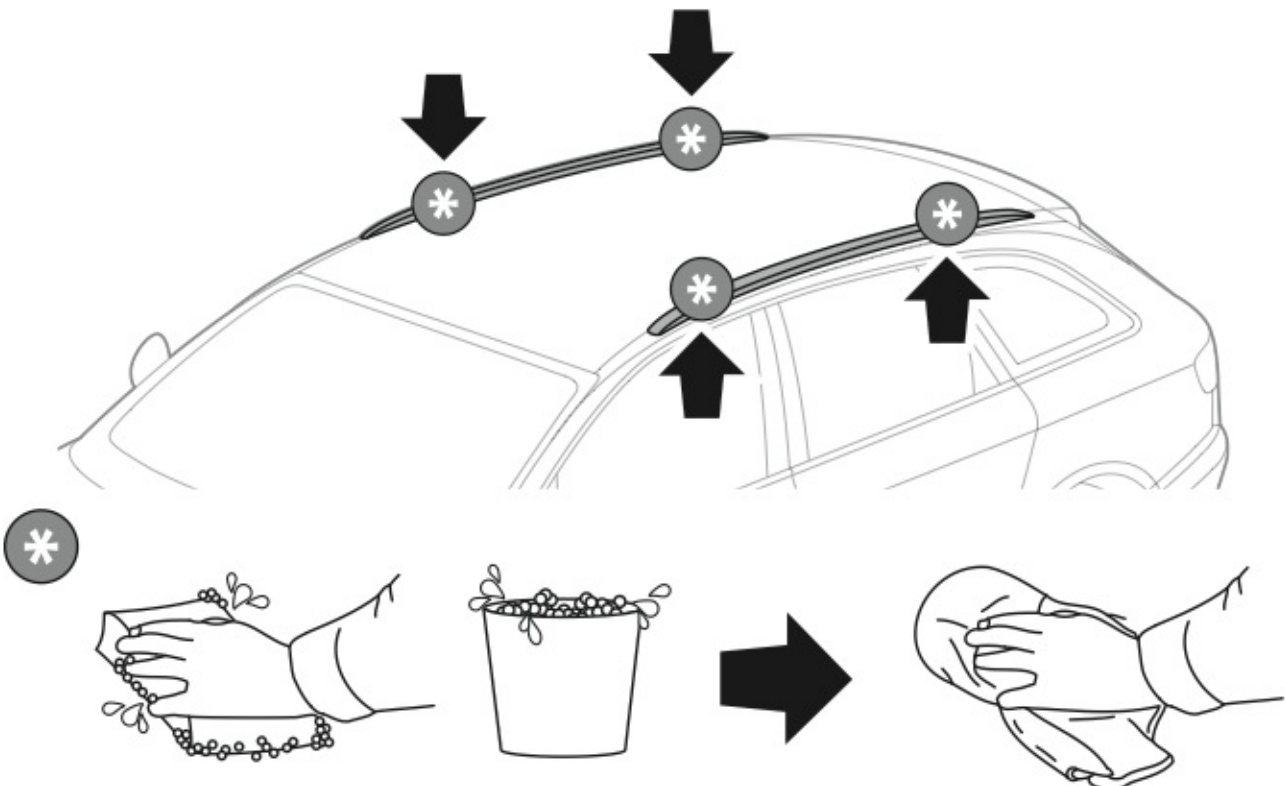
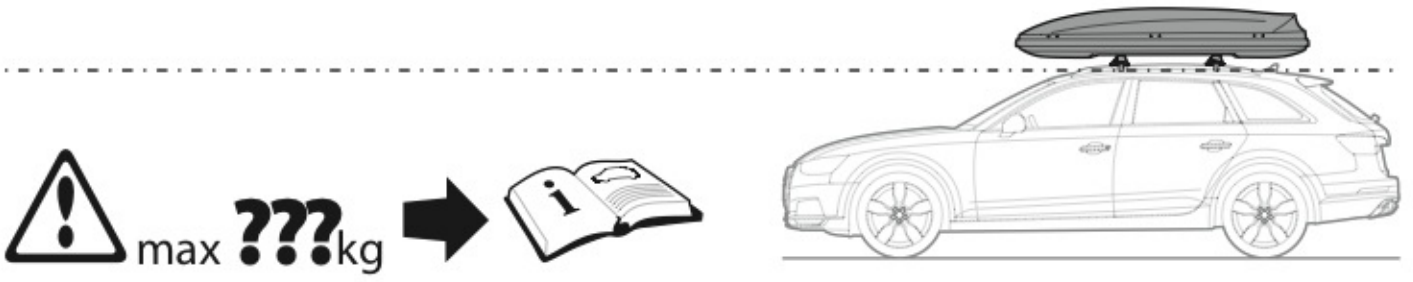
TESTATO E CERTIFICATO

MAX
100 KG



TESTED AND APPROVED - GEPRÜFT UND ZERTIFIZIERT


 +
 
 +
 
 = max kg. **100**





NORDRIVE[®]
TRANSPORT SOLUTIONS

K 8

Art. **N21418**

x2

SNAP SERIES TELESCOPIC BARS

Acciaio / Steel / Acier / Stahl / Acero

Art. **N15010** 5,5 Kg.

Art. **N15012** 7 Kg.

Art. **N15014** 5,5 Kg.

Art. **N15016** 7 Kg.

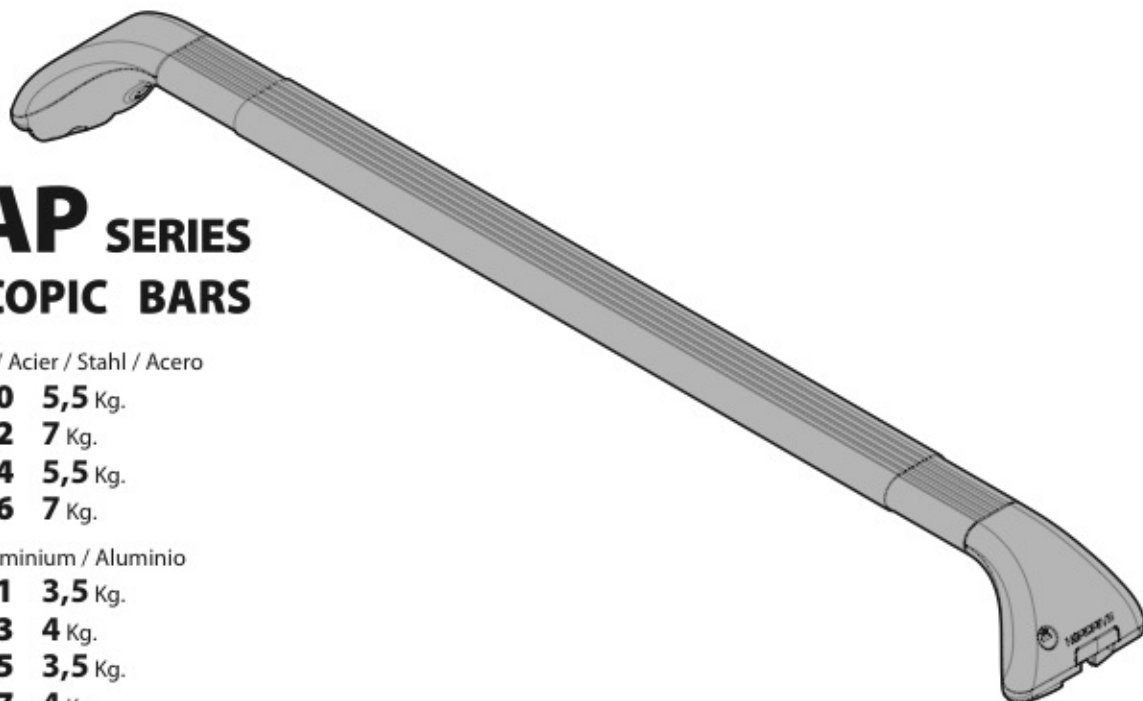
Alluminio / Aluminium / Aluminio

Art. **N15011** 3,5 Kg.

Art. **N15013** 4 Kg.

Art. **N15015** 3,5 Kg.

Art. **N15017** 4 Kg.

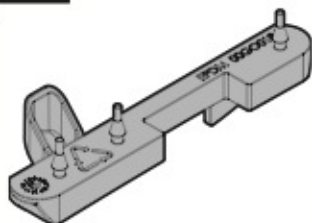


x4



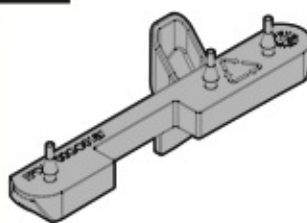
40FE0167

x2



00GO0186

x2



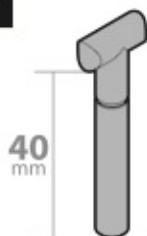
00GO0187

x4



30NA0004

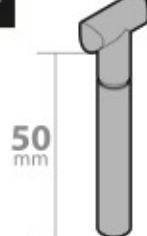
x4



M6x40

60TM6040

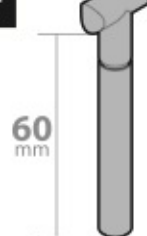
x4



M6x50

60TM6050

x4



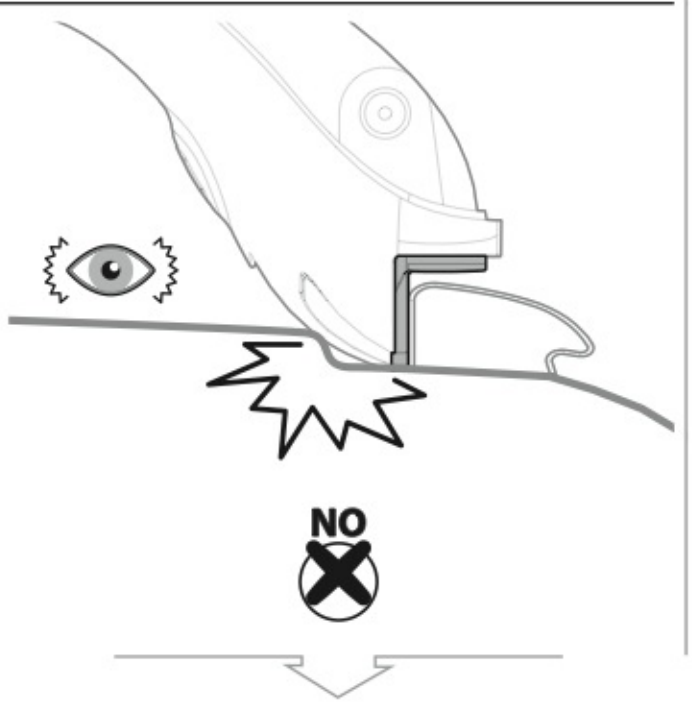
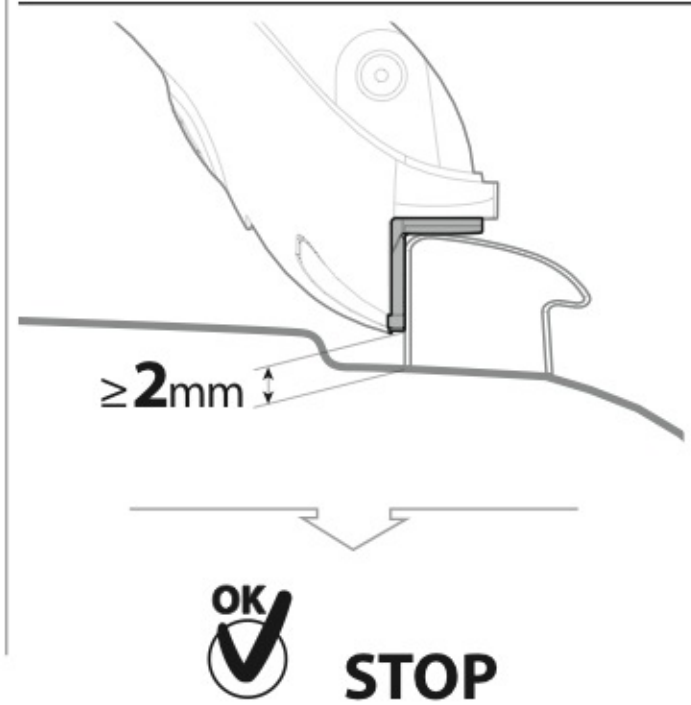
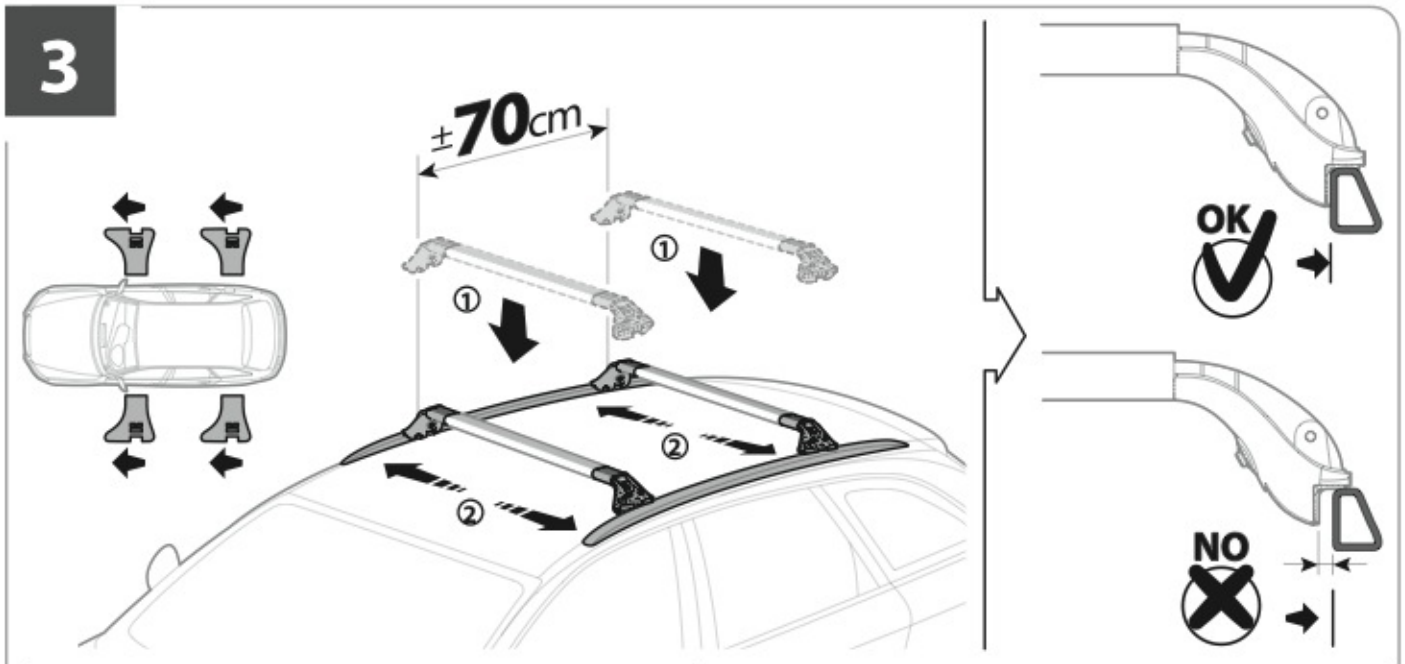
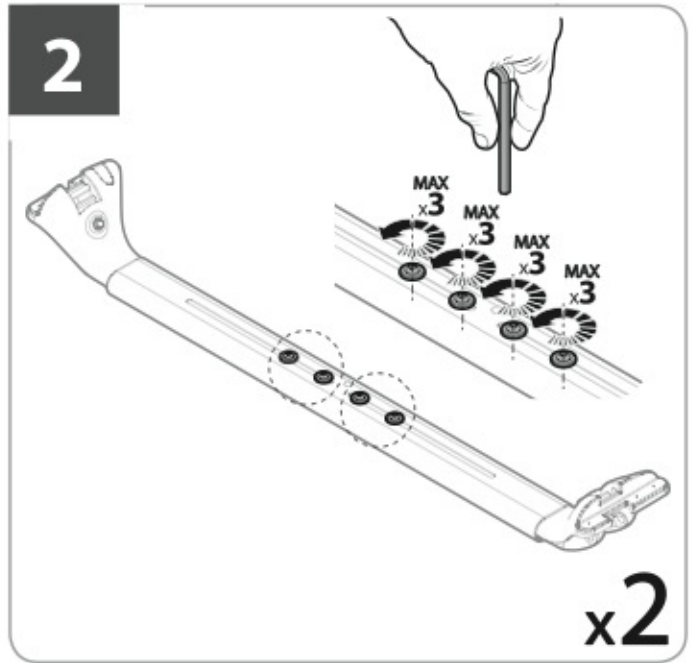
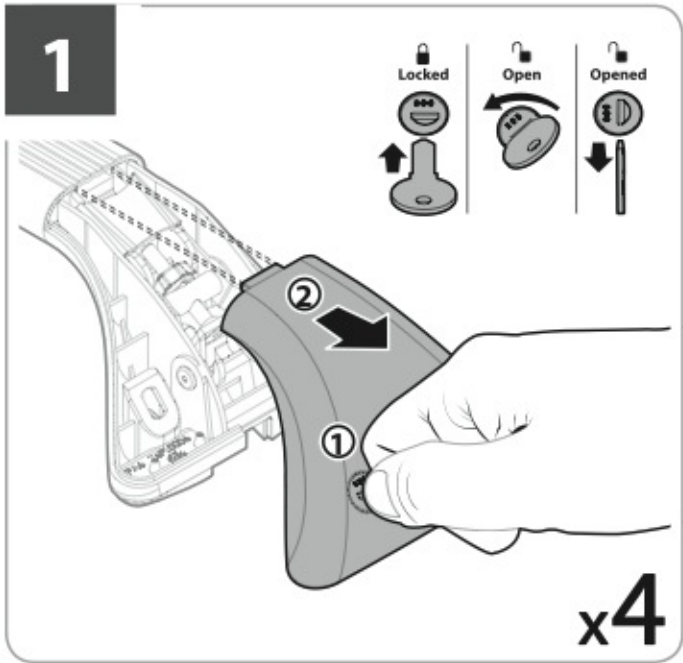
M6x60

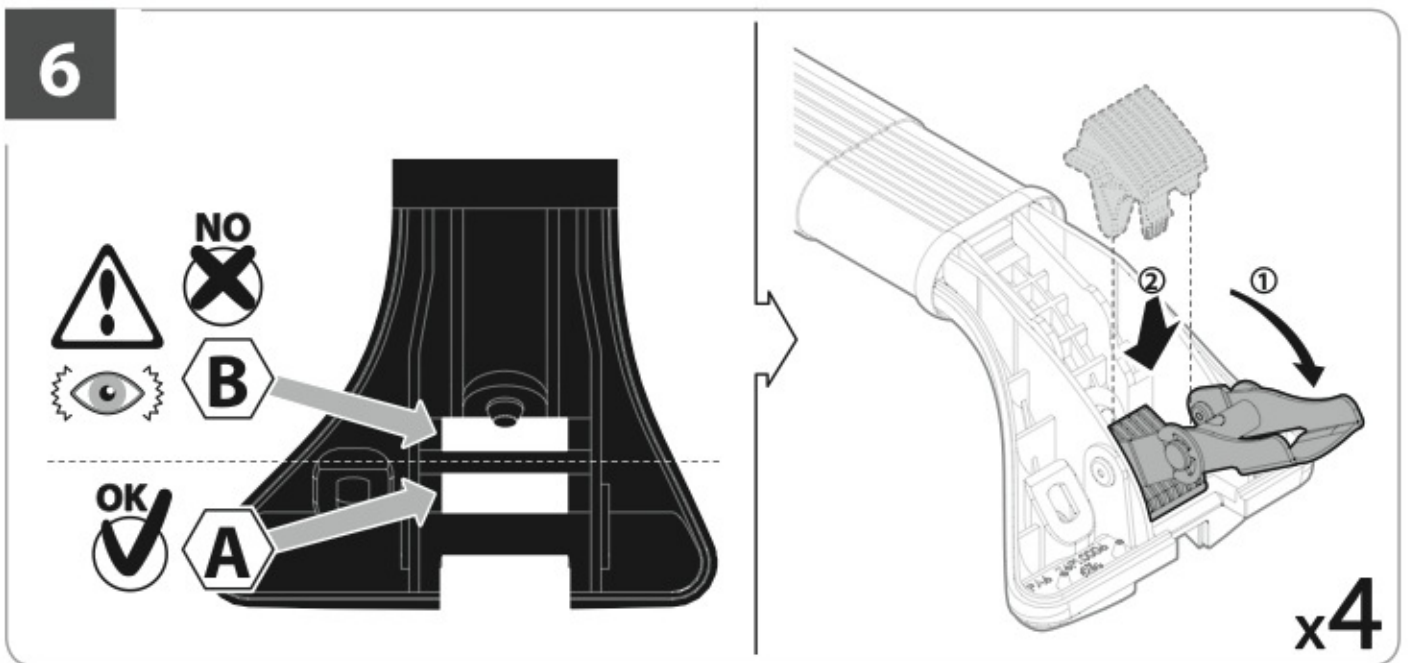
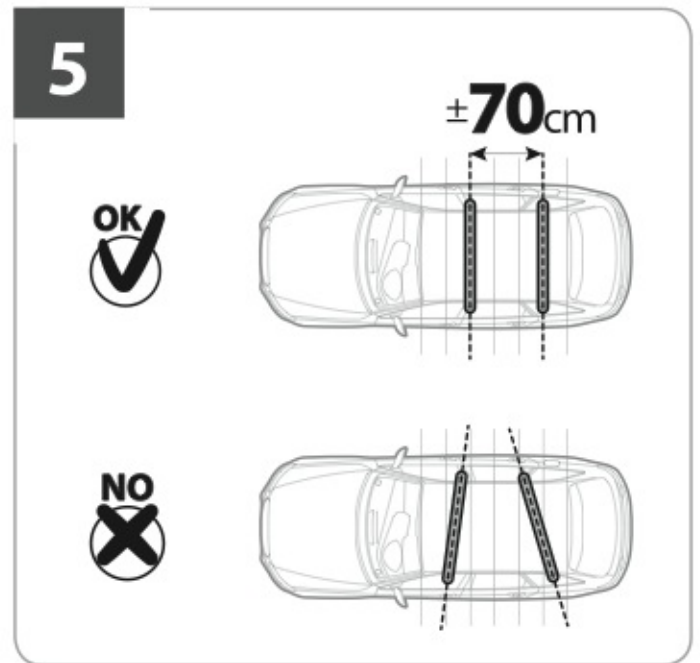
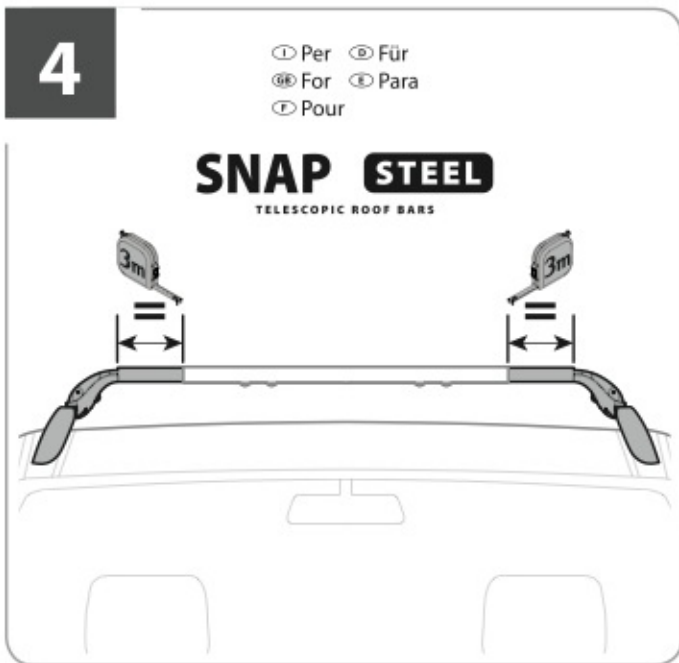
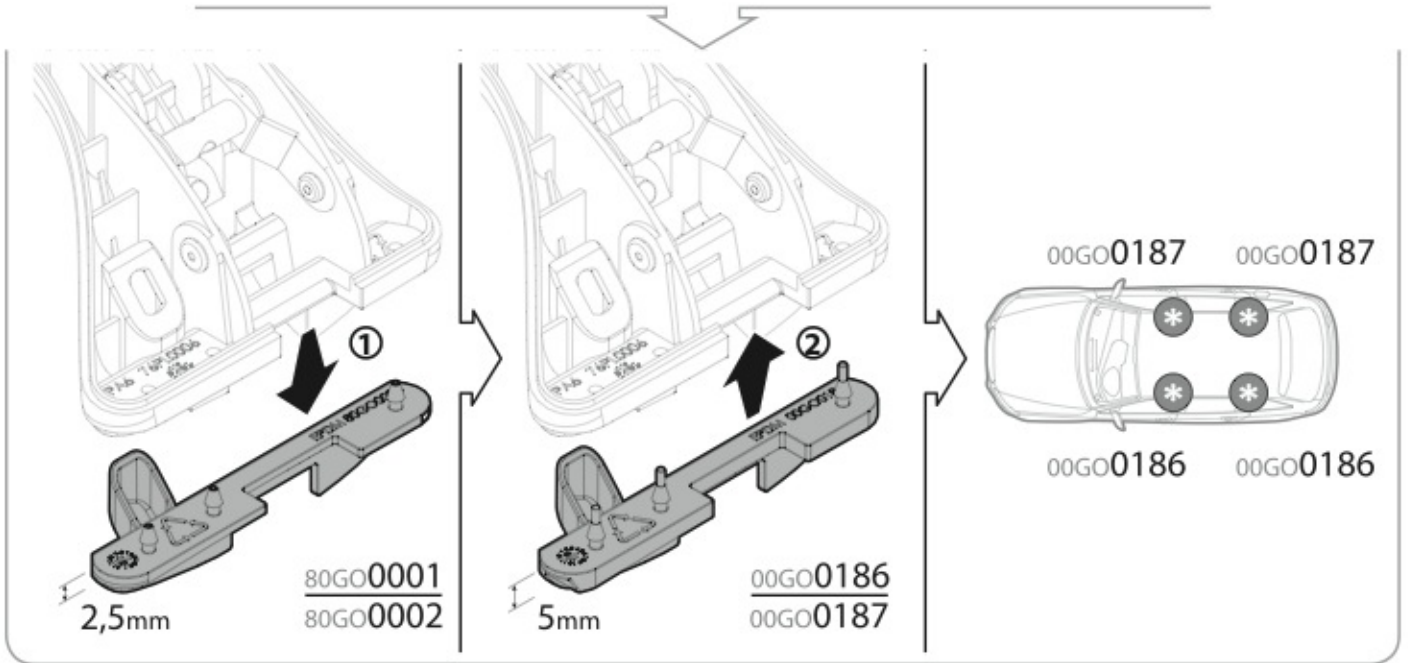
60TM6060

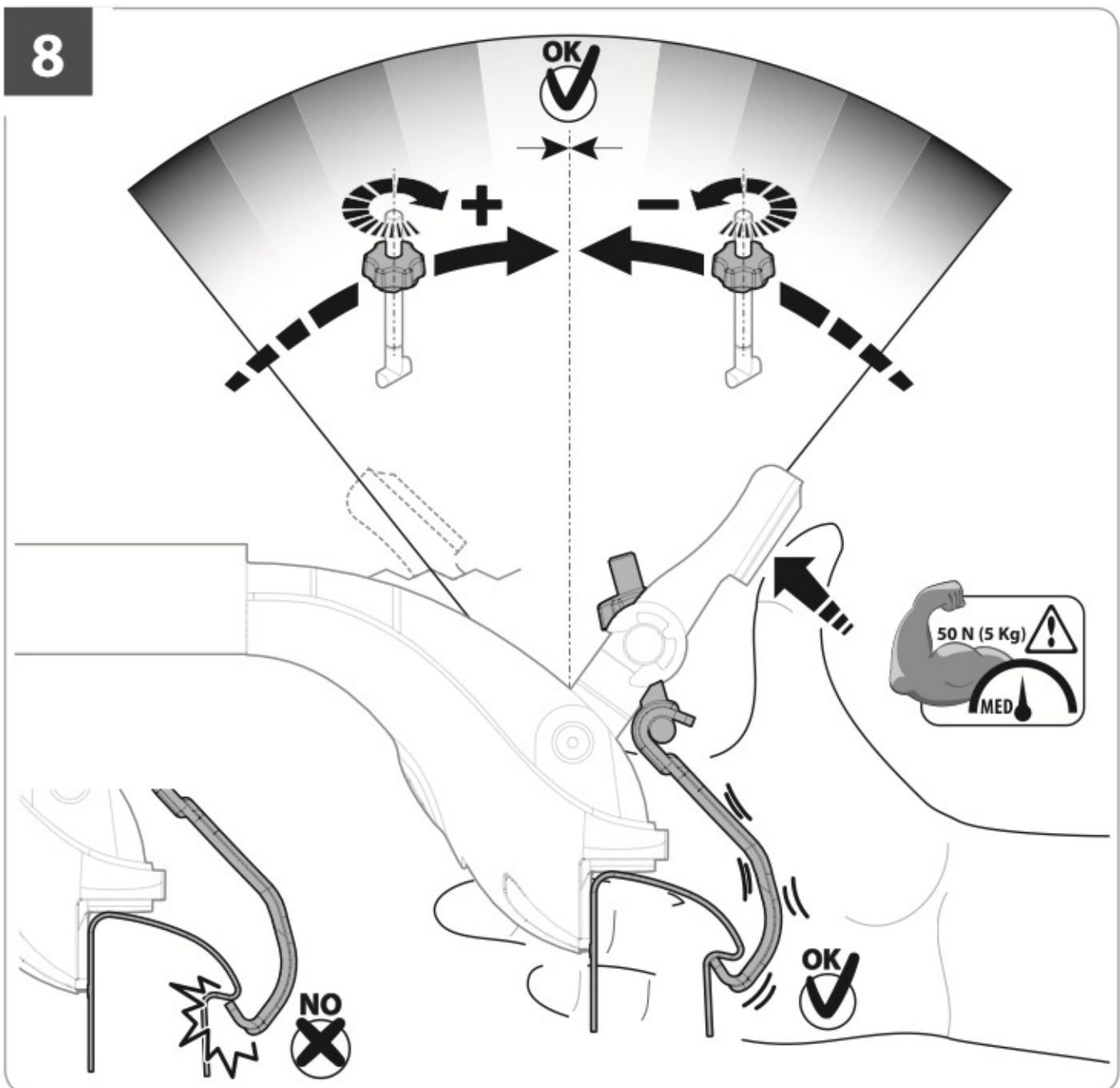
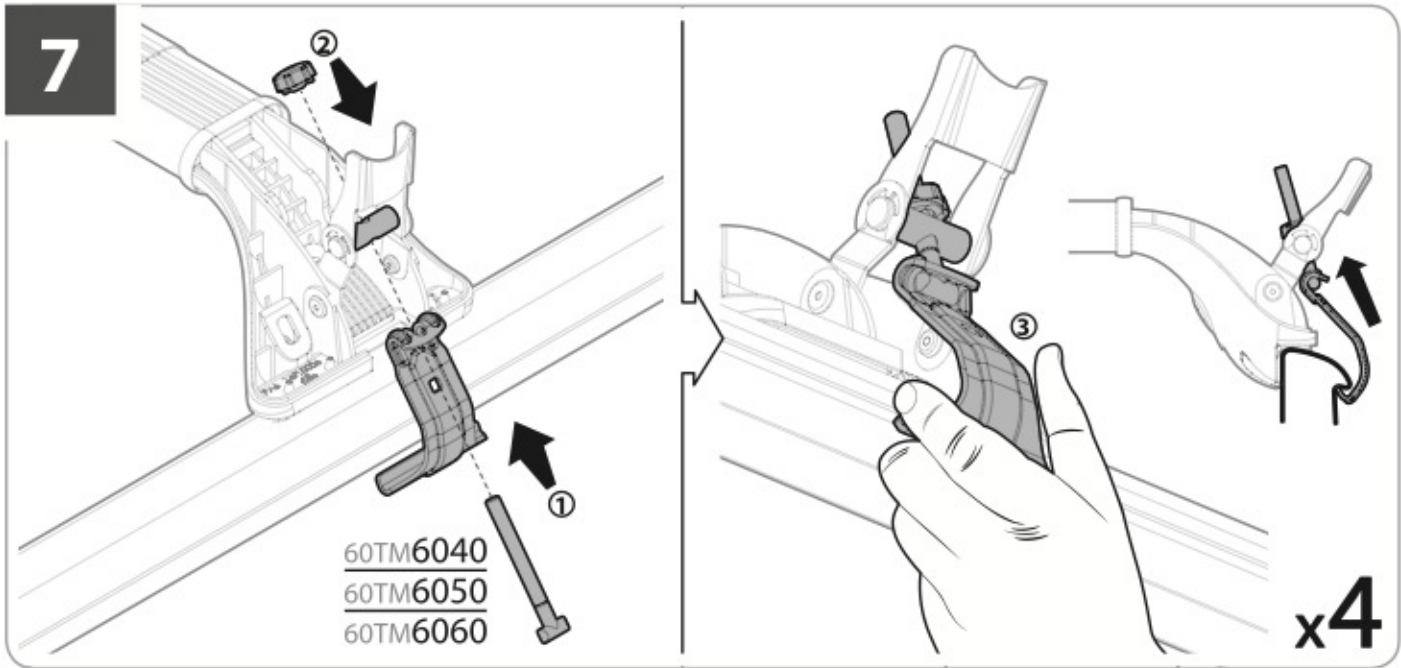
x4

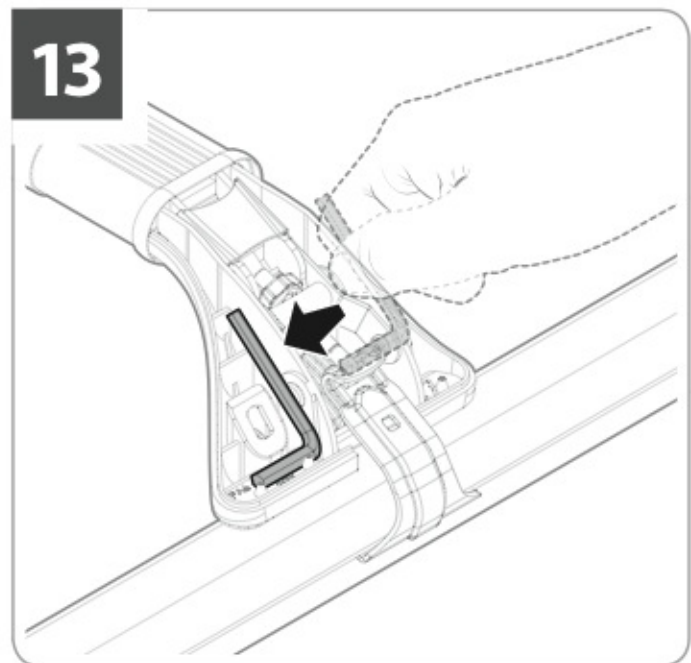
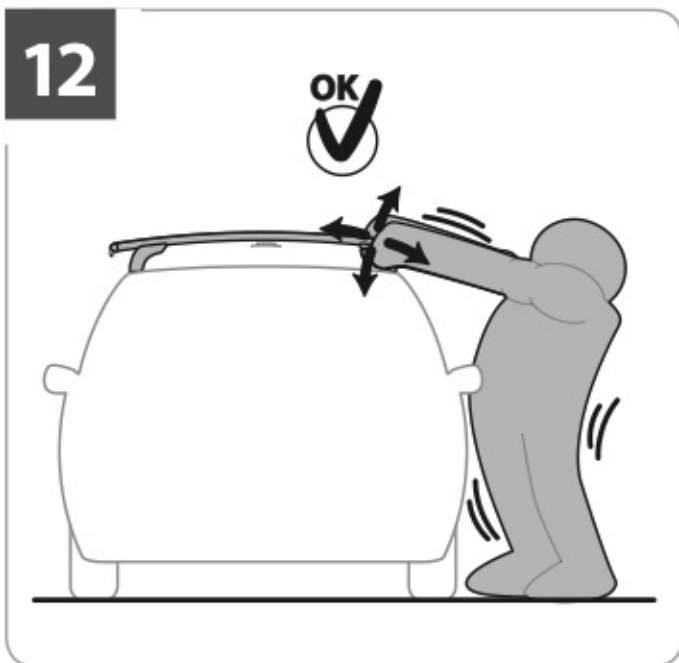
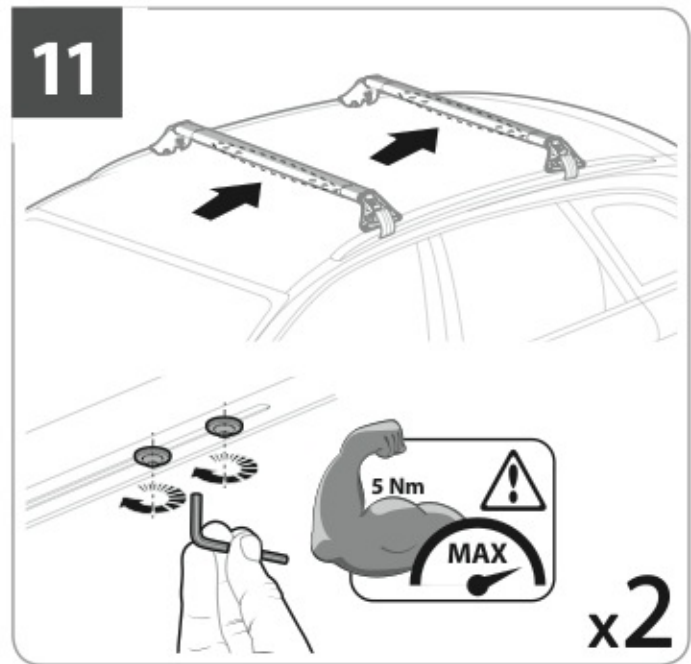
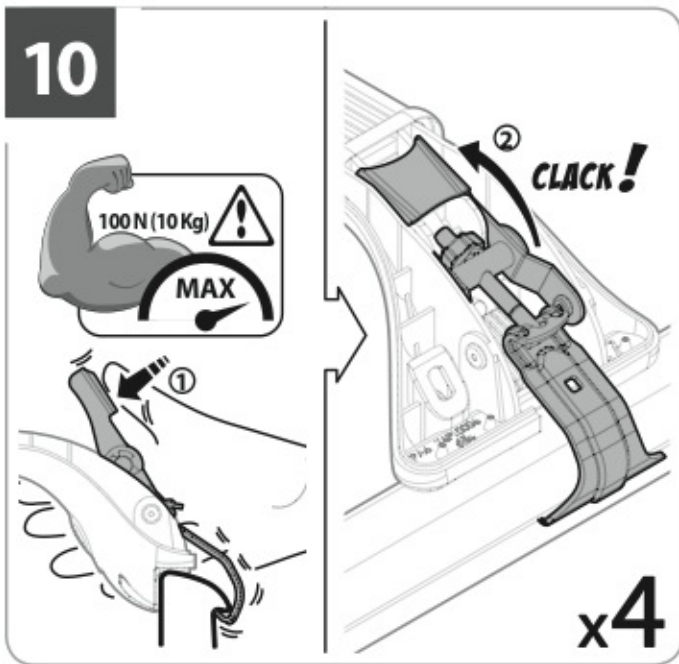
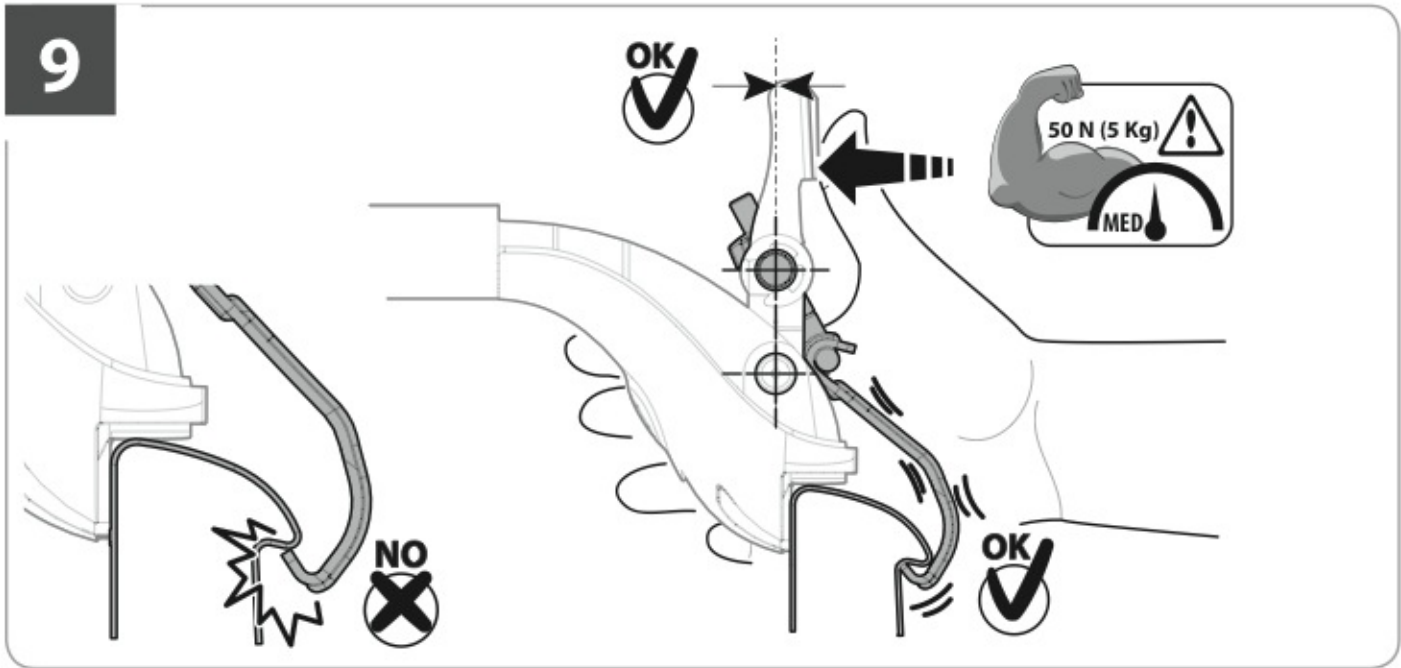


84FE0001

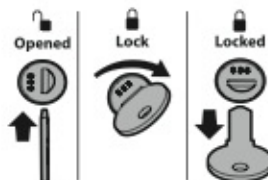
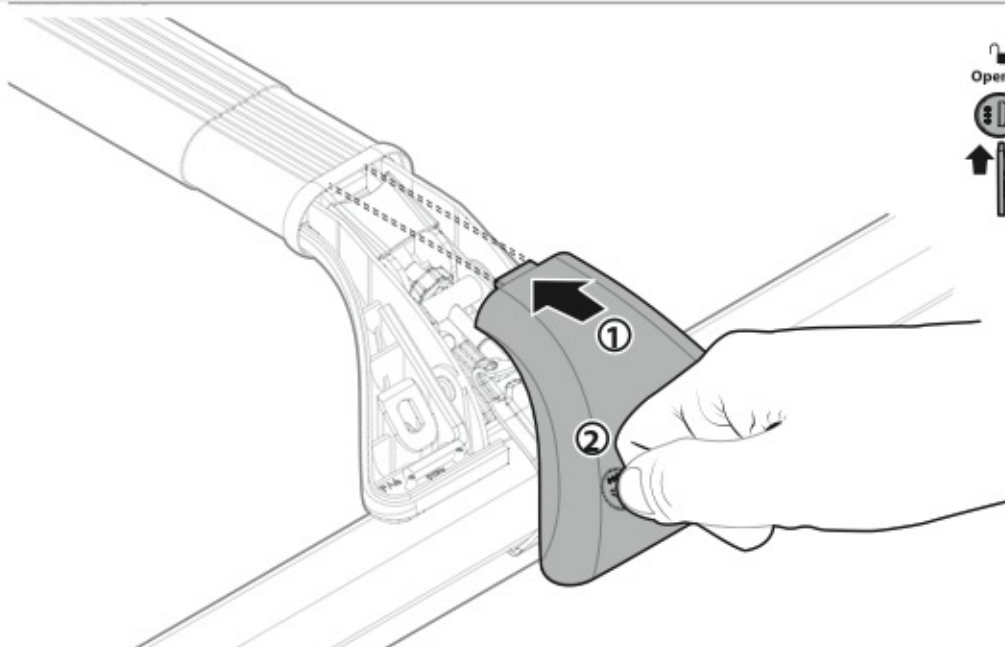








14

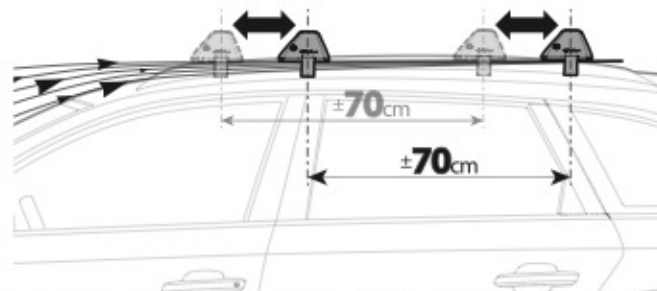
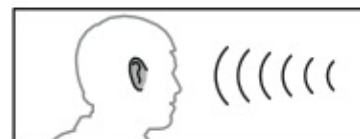
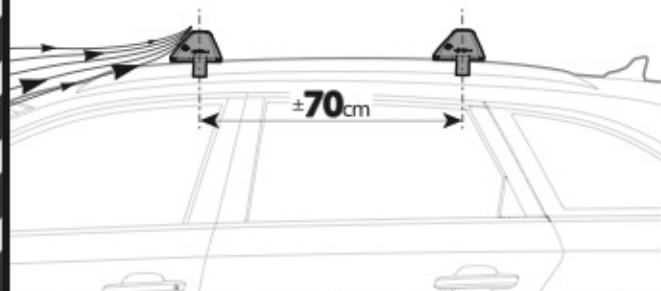
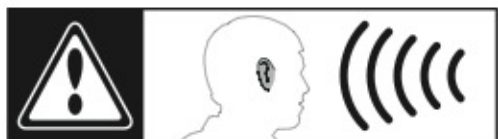
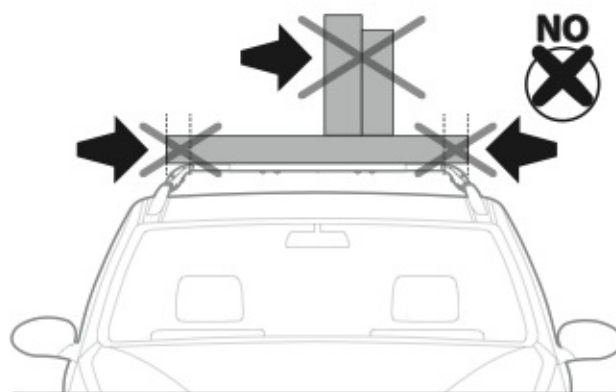
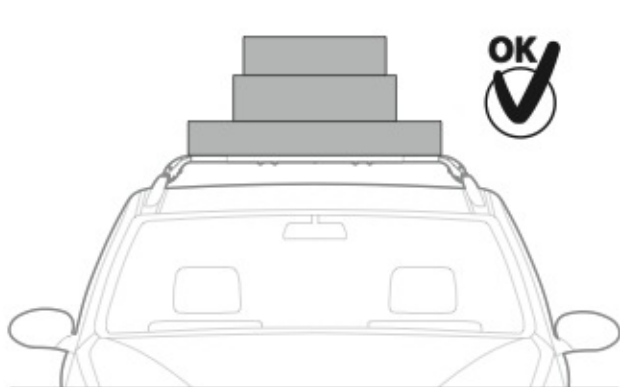


x4



ATTENZIONE

WARNING



NORDRIVE[®]
TRANSPORT SOLUTIONS

NORDRIVE[®] is a registered trademark of
LAMPA S.p.A.
Via G. Rossa 53/55, 46019 Viadana (MN) ITALY
Tel. +39 0375 820700
UNI EN ISO 9001:2008 Certified Company
www.nordrive.it
www.lampa.it

91CA0185 000