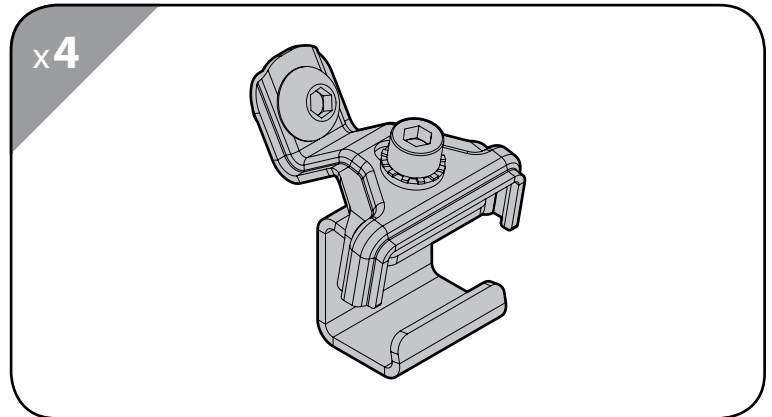


K 9 Art. N21419

CLAMP-Kit

FLUSH RAILING



Ⓘ Per ⒼⒹ For Ⓕ Pour Ⓓ Für Ⓔ Para

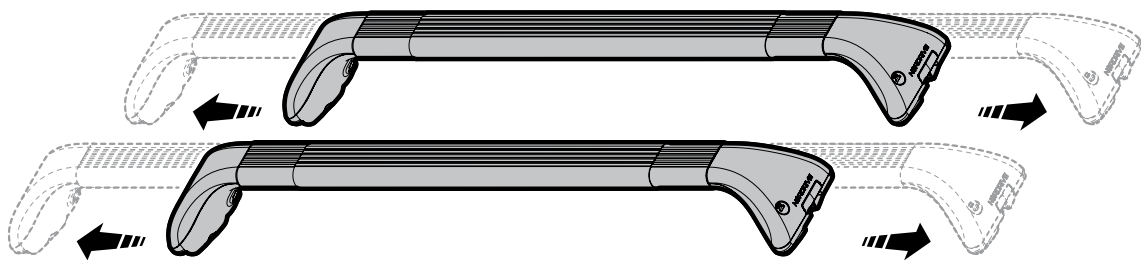
SNAP SERIES TELESCOPIC BARS

Acciaio / Steel / Acier / Stahl / Acero

N15012 - N15016

Alluminio / Aluminium / Aluminio

N15013 - N15017

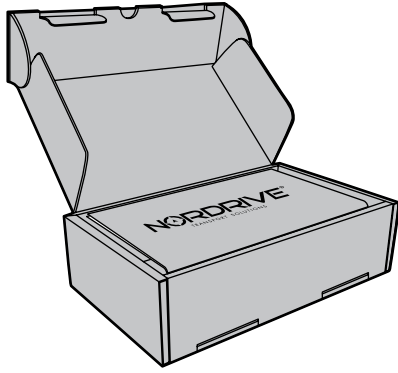


TESTATO E CERTIFICATO

MAX
100 KG



TESTED AND APPROVED - GEPRÜFT UND ZERTIFIZIERT

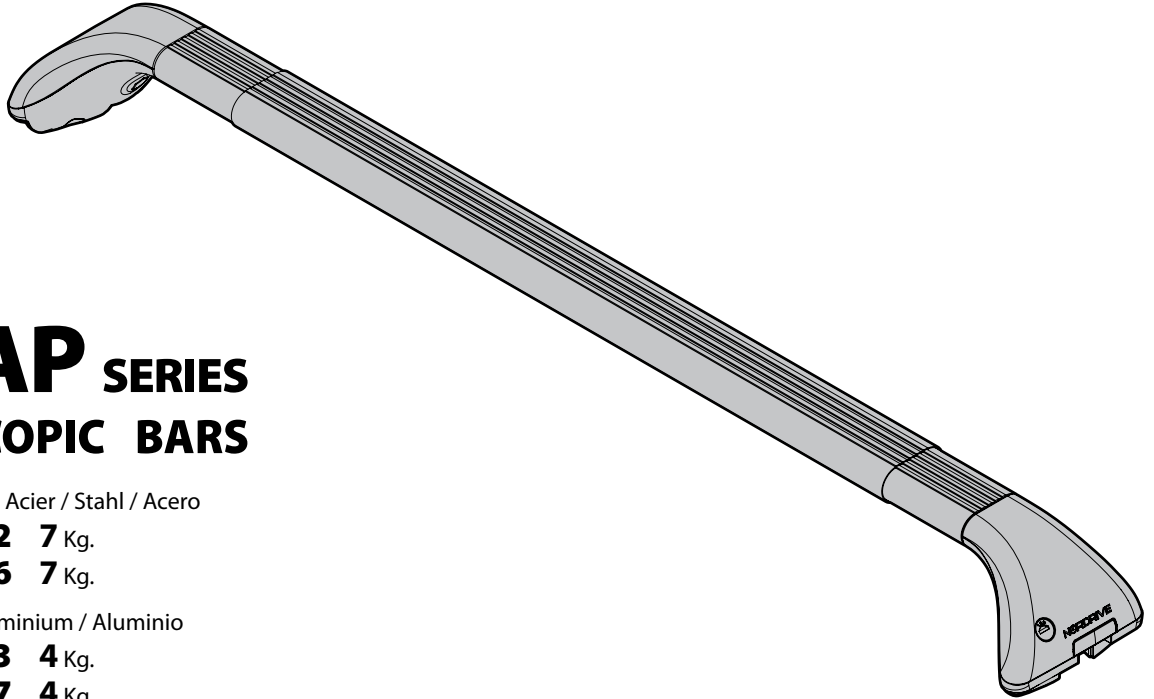


NORDRIVE[®]
TRANSPORT SOLUTIONS



Art. **N21419**

x2



SNAP SERIES TELESCOPIC BARS

Acciaio / Steel / Acier / Stahl / Acero

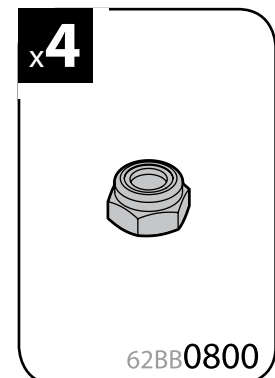
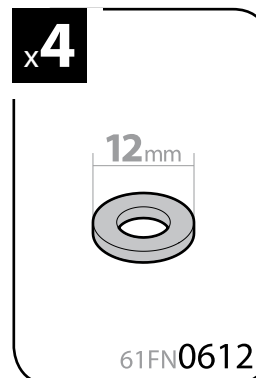
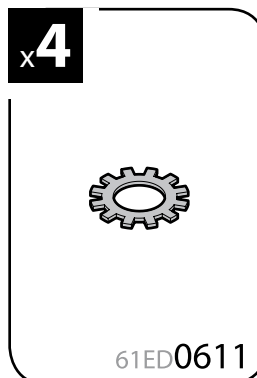
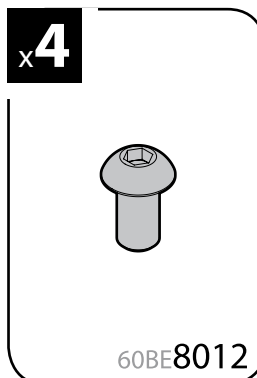
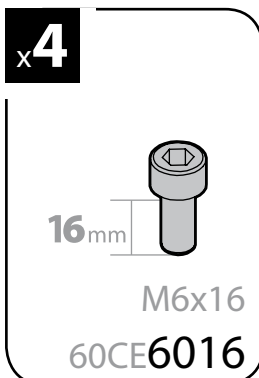
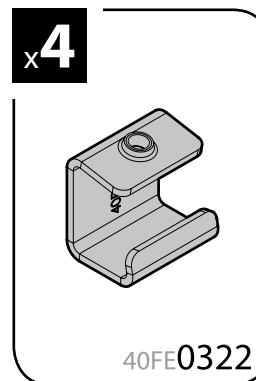
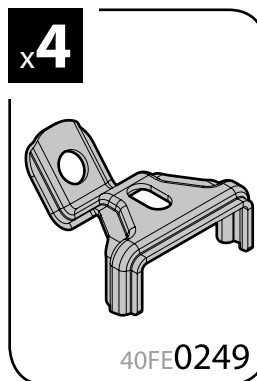
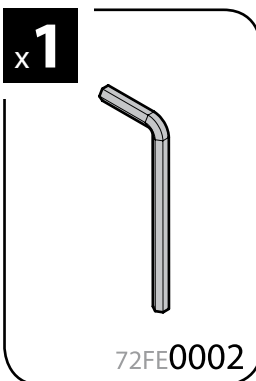
Art. **N15012** 7 Kg.

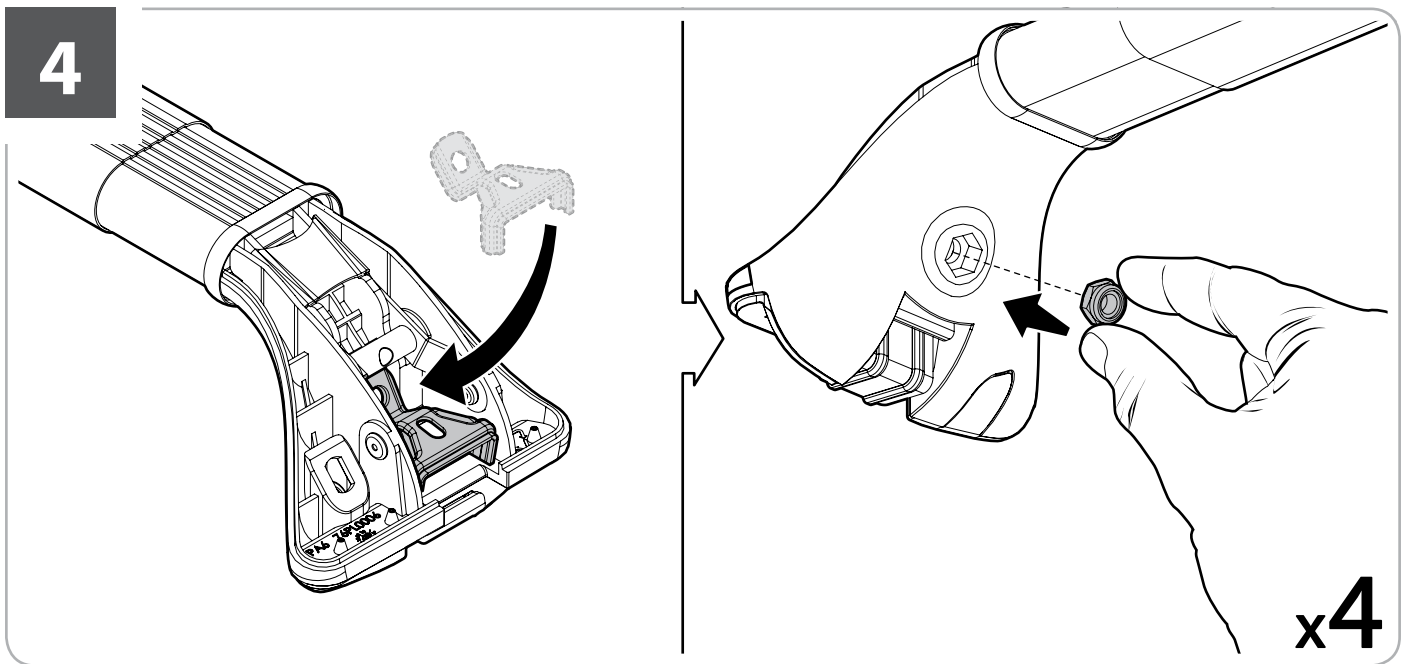
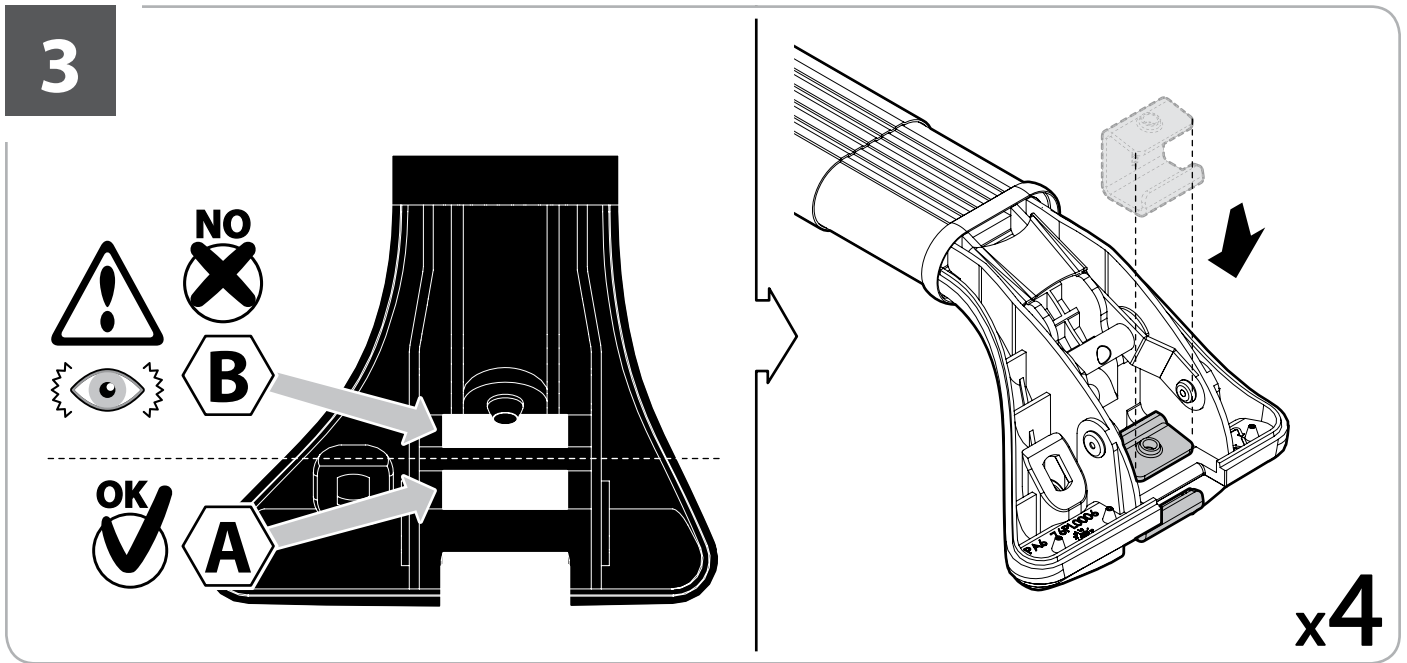
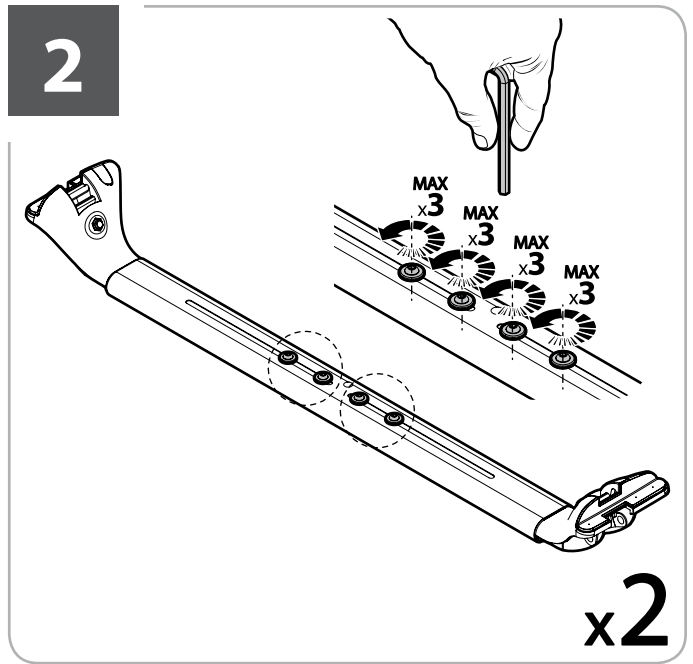
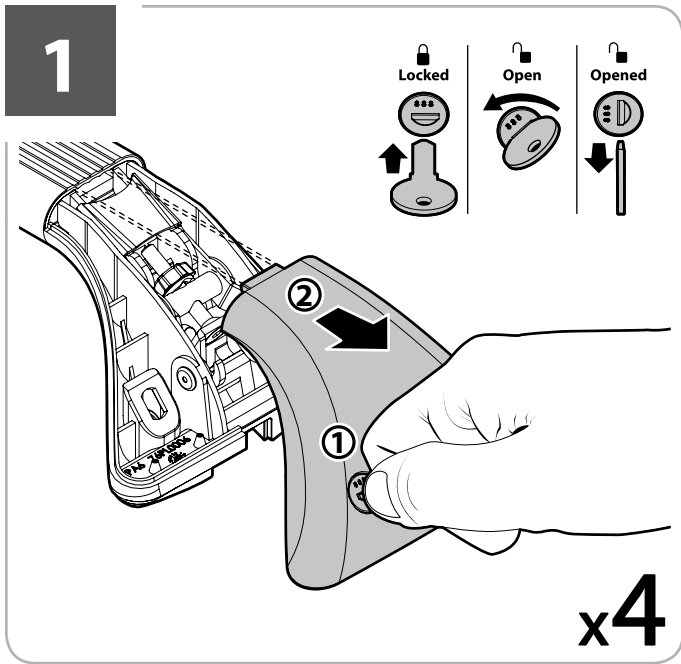
Art. **N15016** 7 Kg.

Alluminio / Aluminium / Aluminio

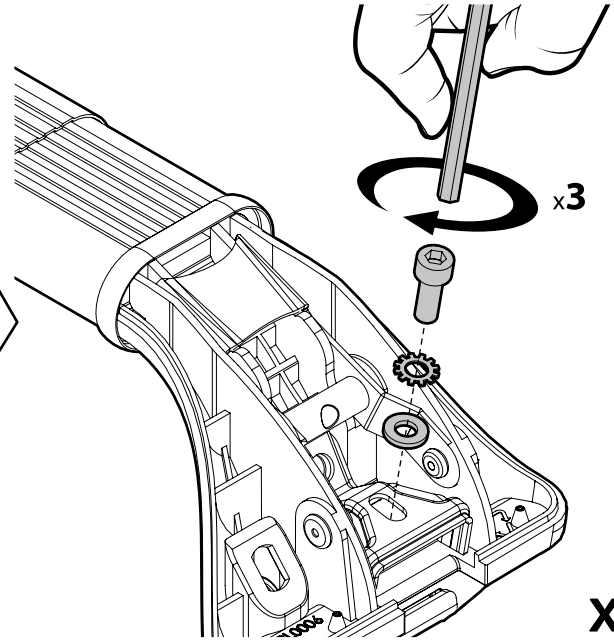
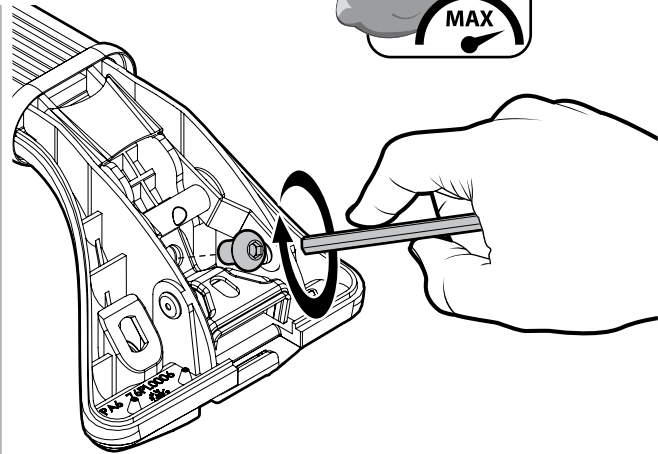
Art. **N15013** 4 Kg.

Art. **N15017** 4 Kg.



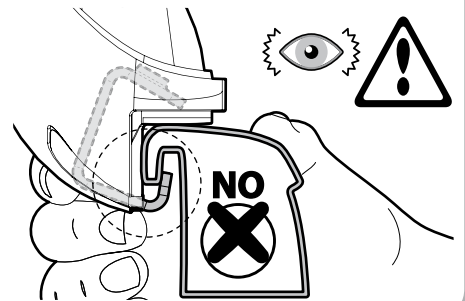
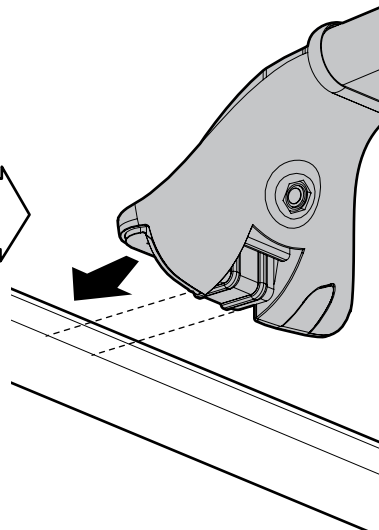
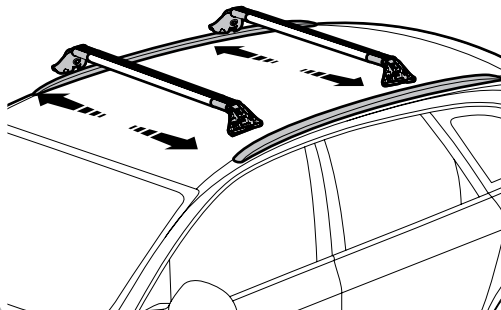
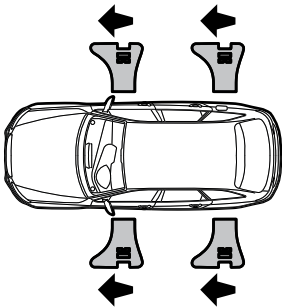


5



x4

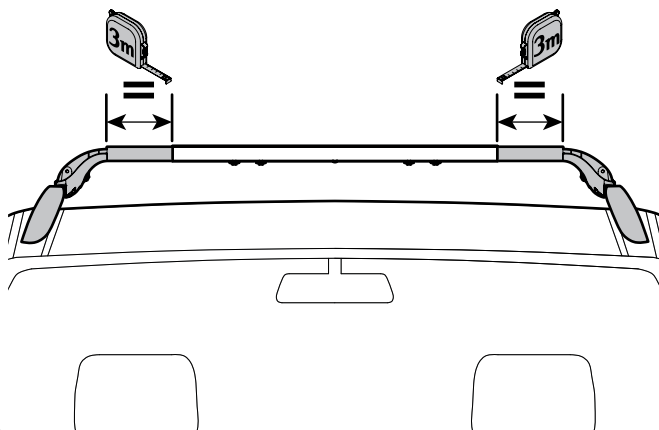
6



7

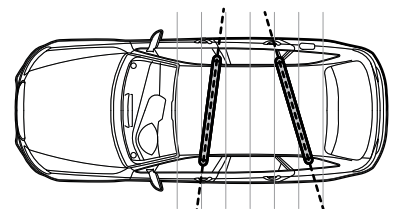
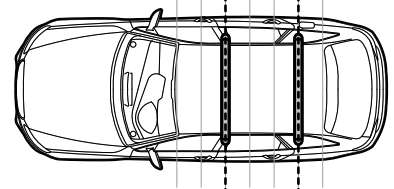
- Ⓛ Per Ⓞ Für
- ⒼⓁ For ⓔ Para
- ⓕ Pour

SNAP STEEL
TELESCOPIC ROOF BARS

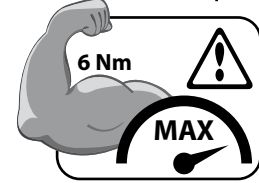
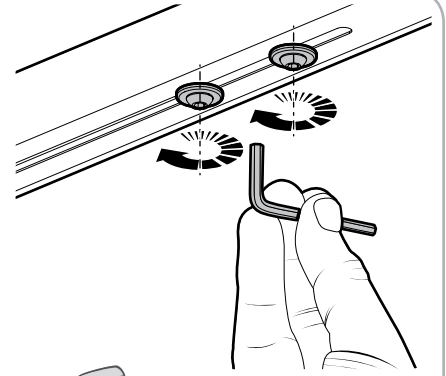
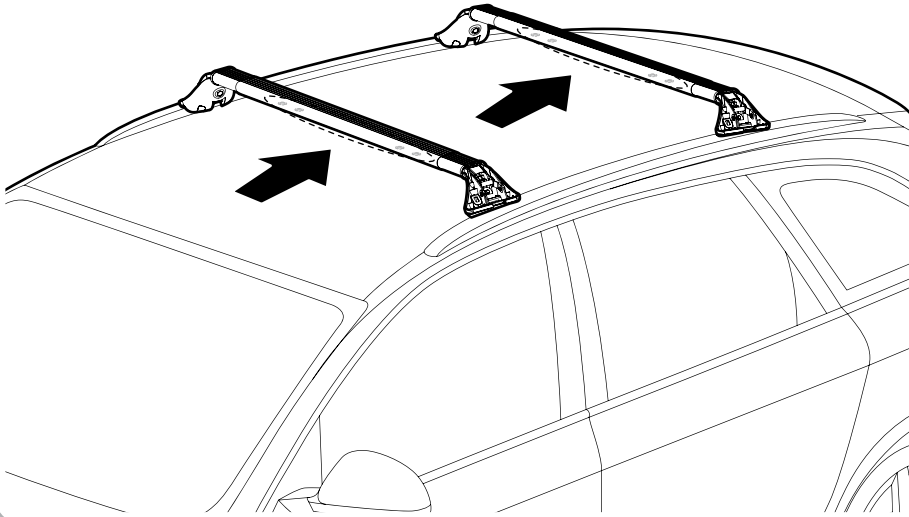


8

±70cm

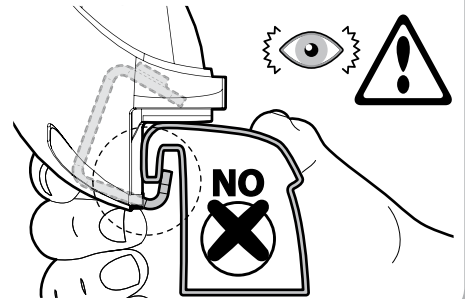
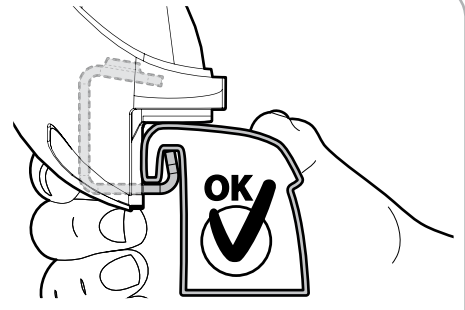
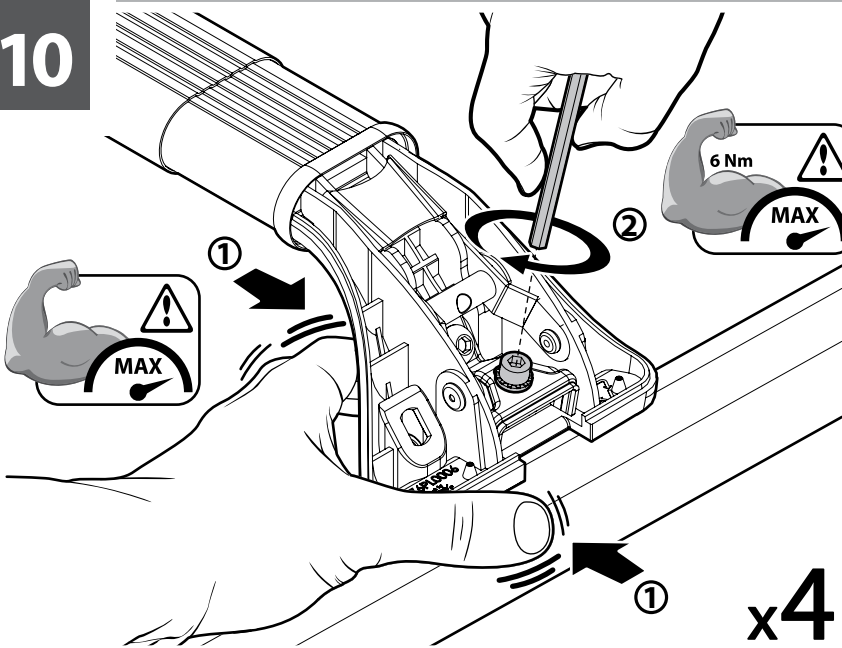


9



x2

10

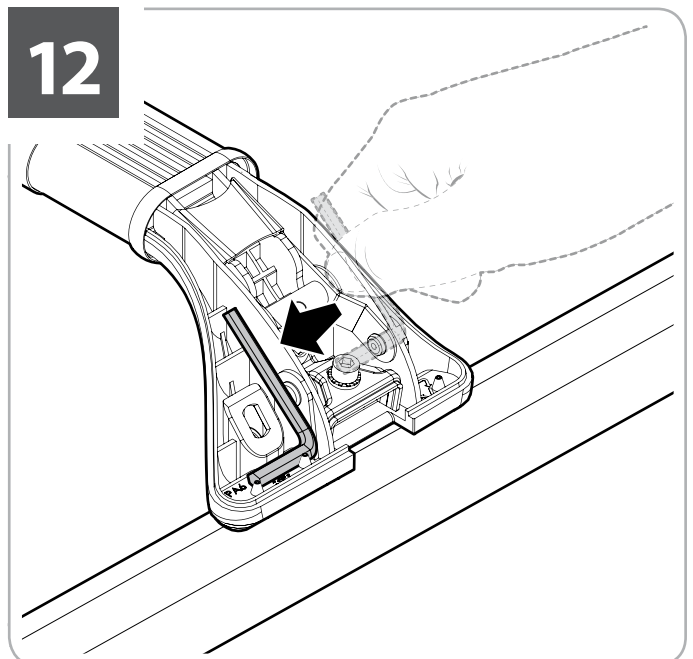


x4

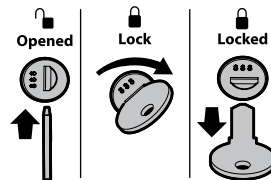
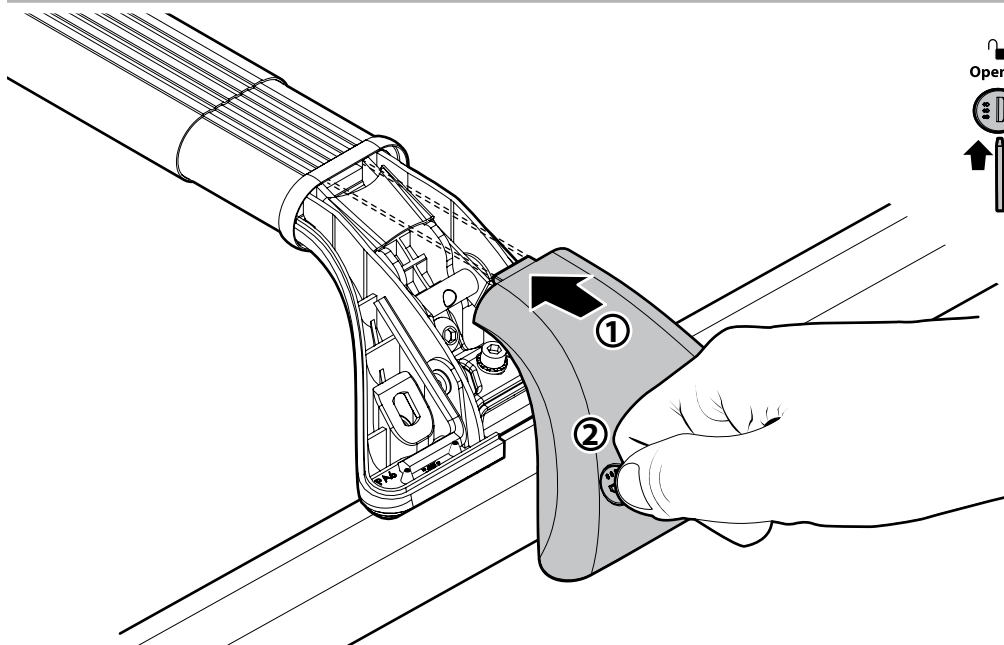
11



12



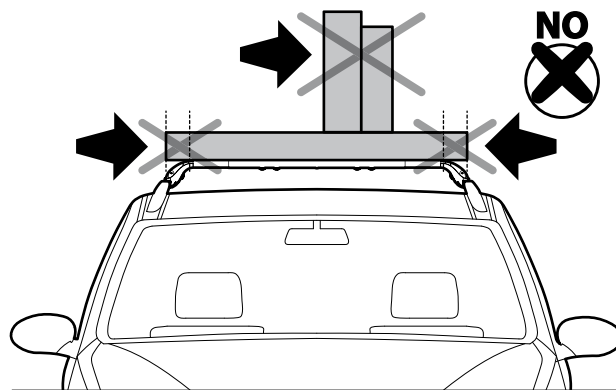
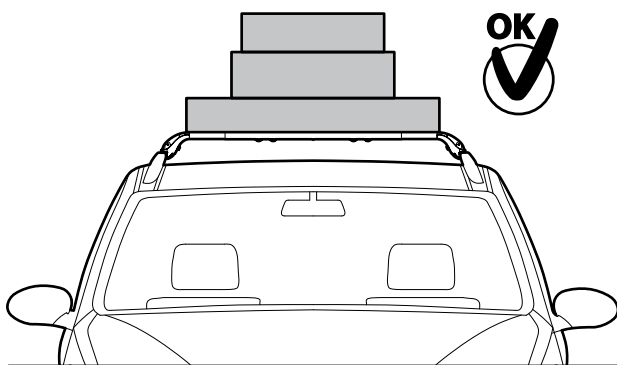
13



x4



ATTENZIONE
WARNING



NORDRIVE[®]

TRANSPORT SOLUTIONS

**NORDRIVE[®] is a registered trademark of
LAMPA S.p.A.**

Via G. Rossa 53/55, 46019 Viadana (MN) ITALY
Tel. +39 0375 820700
UNI EN ISO 9001:2008 Certified Company

**www.nordrive.it
www.lampa.it**