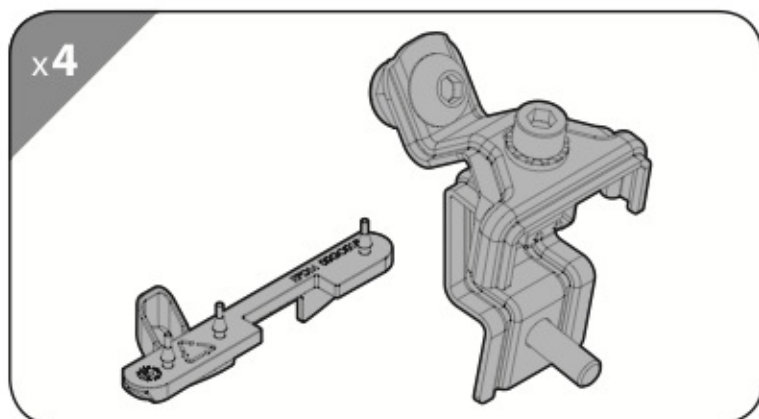


K10 Art. N21420

CLAMP-Kit

FLUSH RAILING



Ⓘ Per ⒼⒹ For Ⓕ Pour Ⓓ Für Ⓔ Para

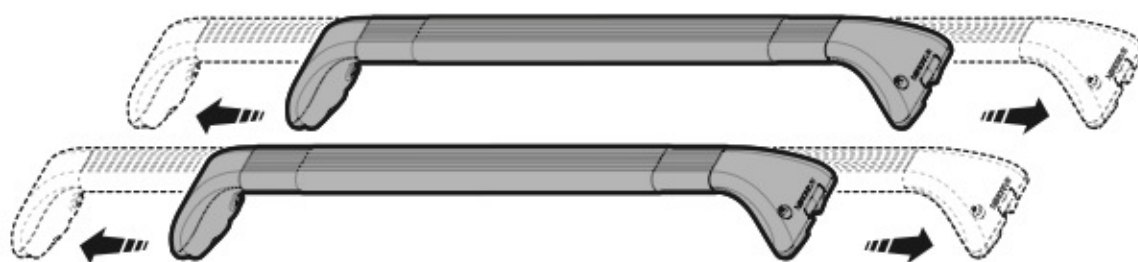
SNAP SERIES
TELESCOPIC BARS

Acciaio / Steel / Acier / Stahl / Acero

N15010 - N15012 - N15014 - N15016

Alluminio / Aluminium / Aluminio

N15011 - N15013 - N15015 - N15017






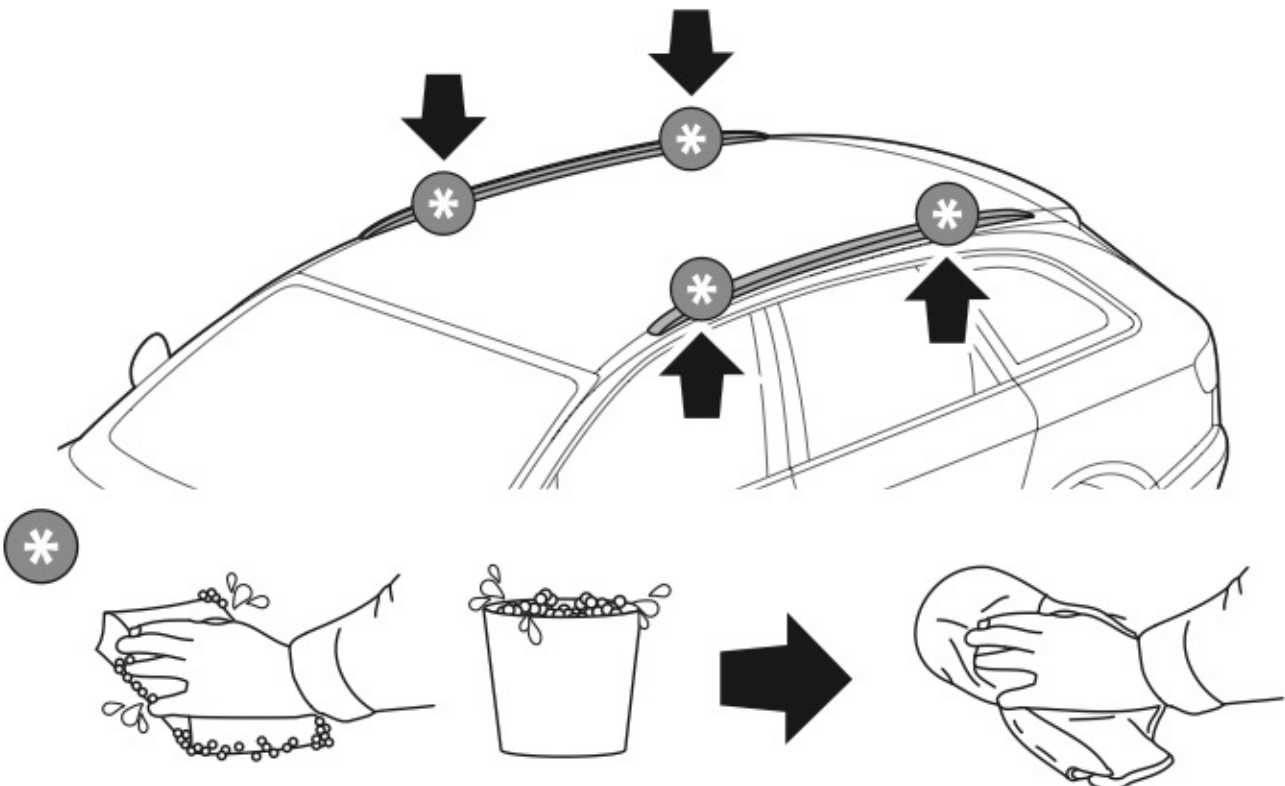
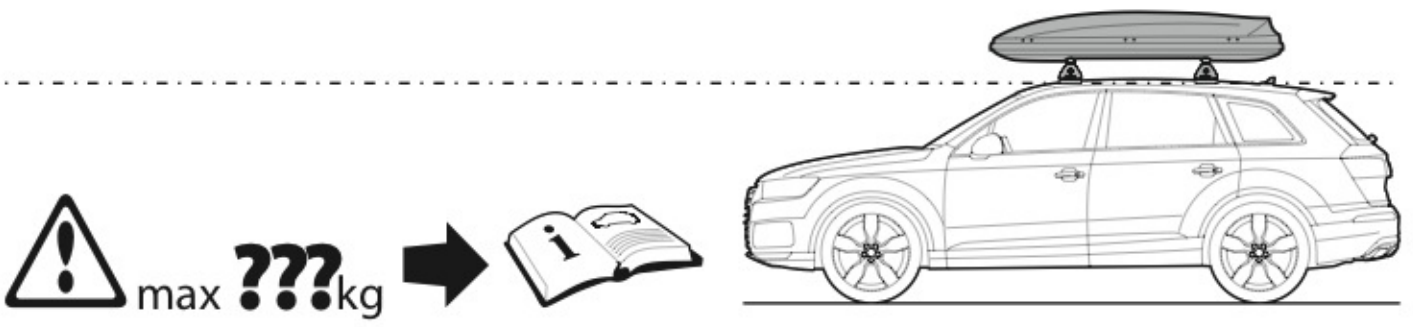
TESTATO E CERTIFICATO

MAX
100 KG



TESTED AND APPROVED - GEPRÜFT UND ZERTIFIZIERT


 +
 
 +
 
 = max kg. **100**





NORDRIVE[®]
TRANSPORT SOLUTIONS

K10

Art. **N21420**

x2

SNAP SERIES TELESCOPIC BARS

Acciaio / Steel / Acier / Stahl / Acero

Art. **N15010** 5,5 Kg.

Art. **N15012** 7 Kg.

Art. **N15014** 5,5 Kg.

Art. **N15016** 7 Kg.

Alluminio / Aluminium / Aluminio

Art. **N15011** 3,5 Kg.

Art. **N15013** 4 Kg.

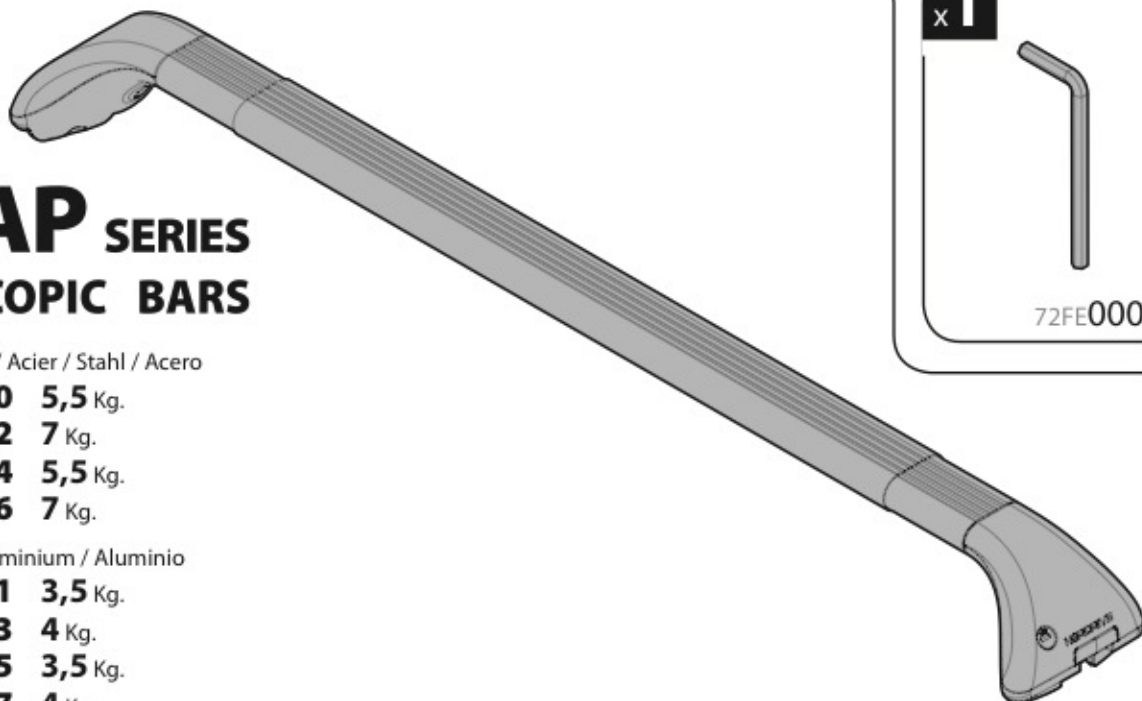
Art. **N15015** 3,5 Kg.

Art. **N15017** 4 Kg.

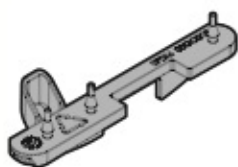
x1



72FE0002

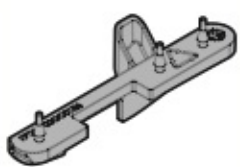


x2



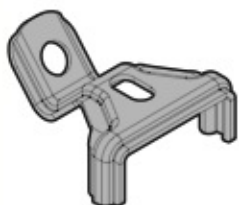
00GO0184

x2



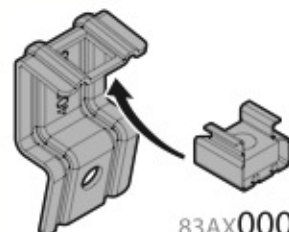
00GO0185

x4



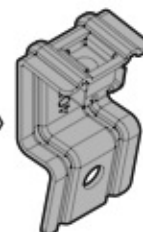
40FE0249

x4



40FE0251

83AX0001



x4



M6x16
60CE6016

x4



M6x20
60CE6020

x4



60BE8012

x8



61ED0611

x8

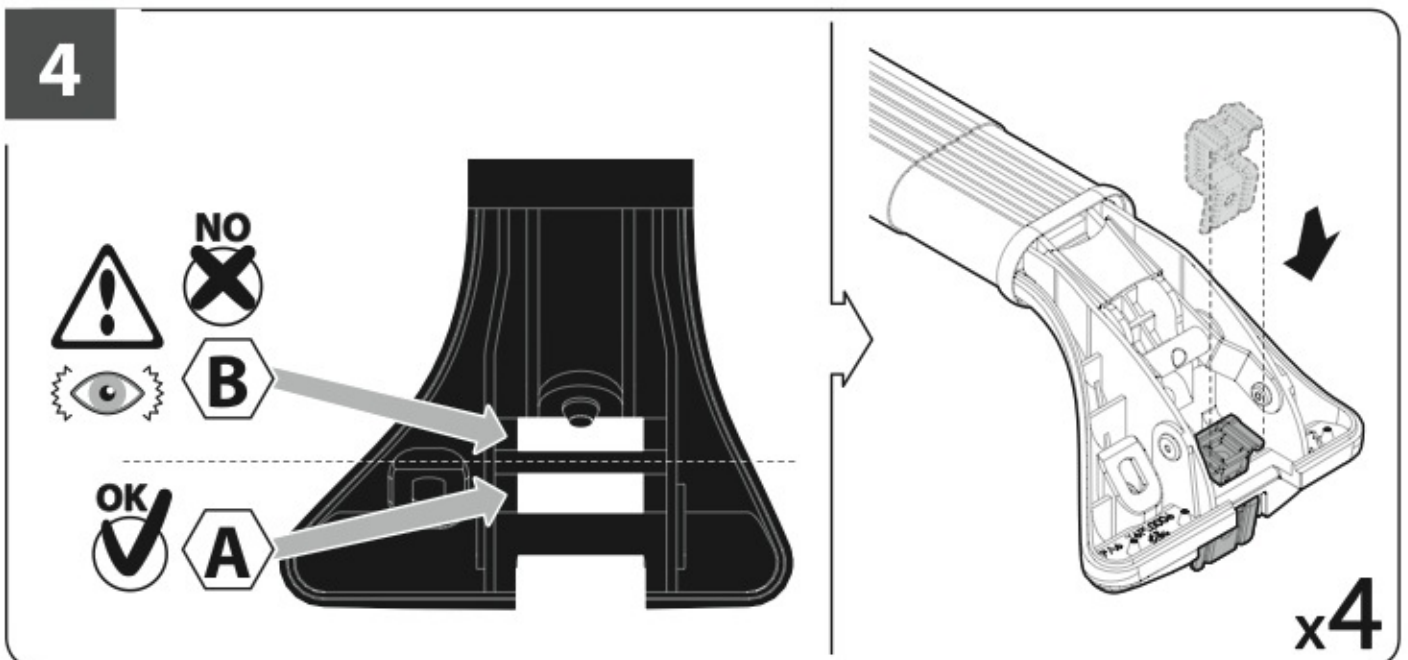
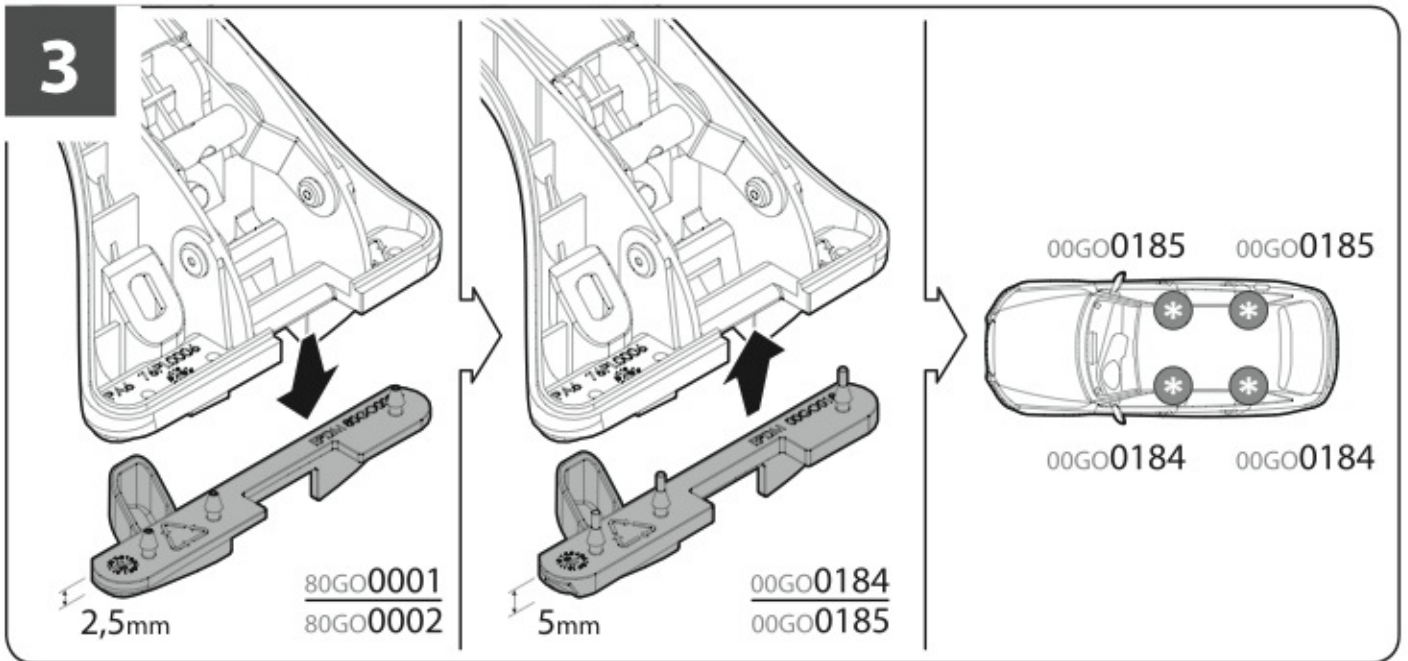
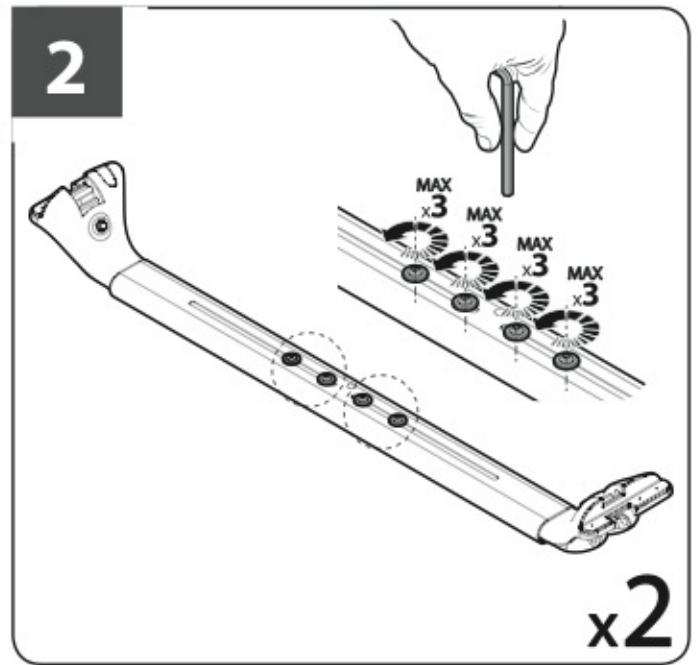
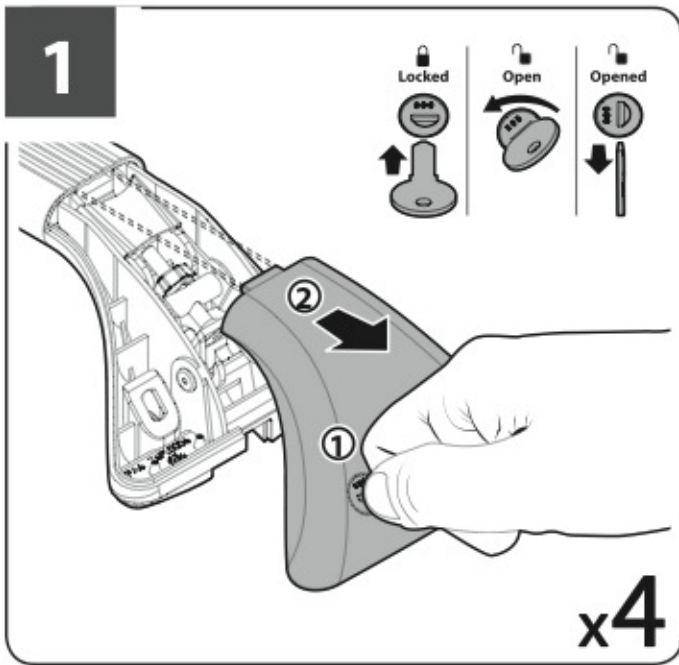


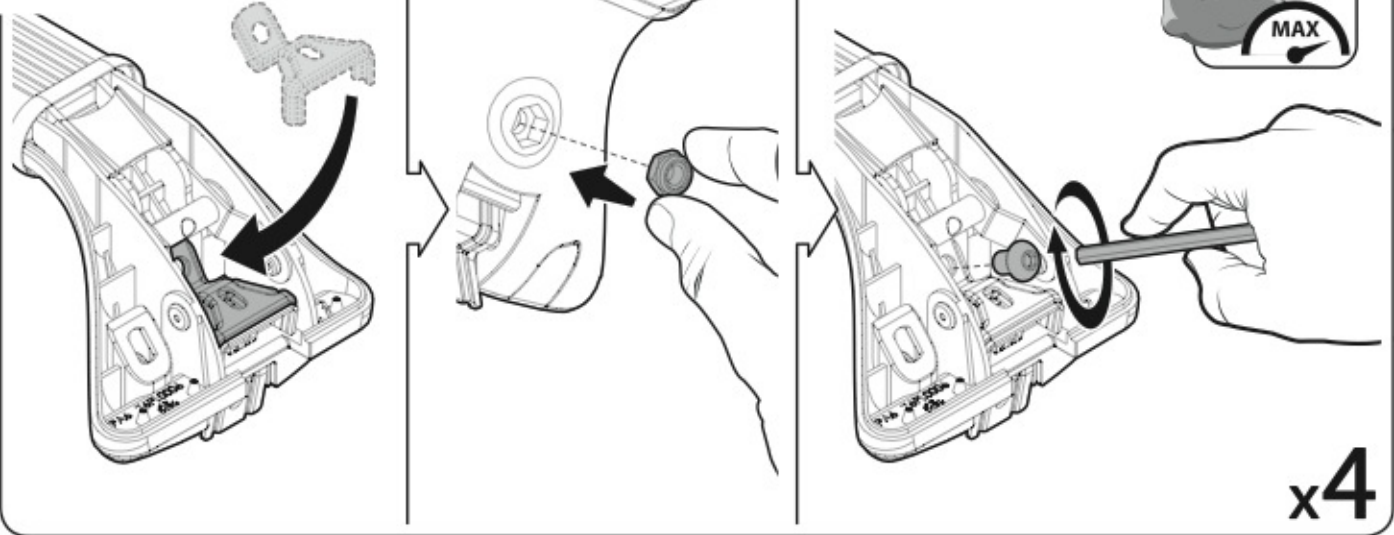
61FN0612

x4

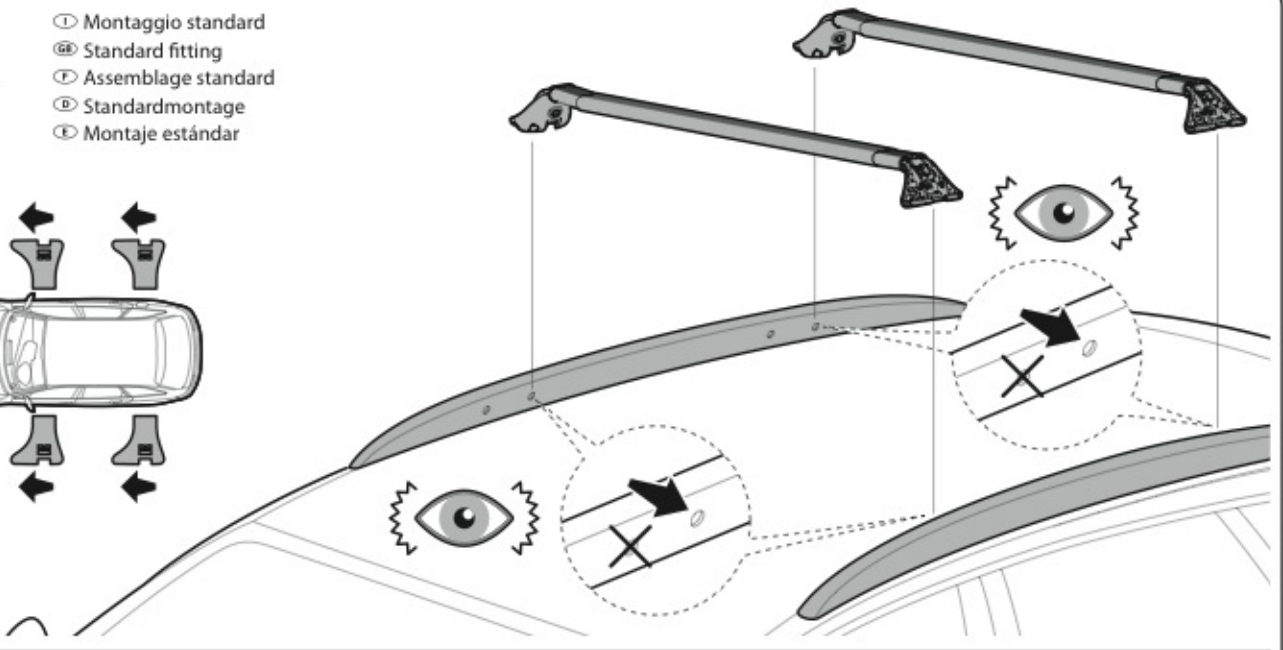
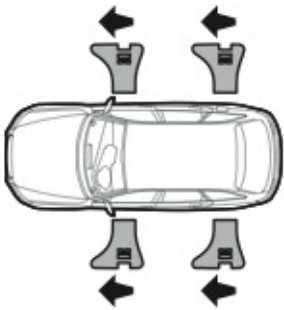


62BB0800

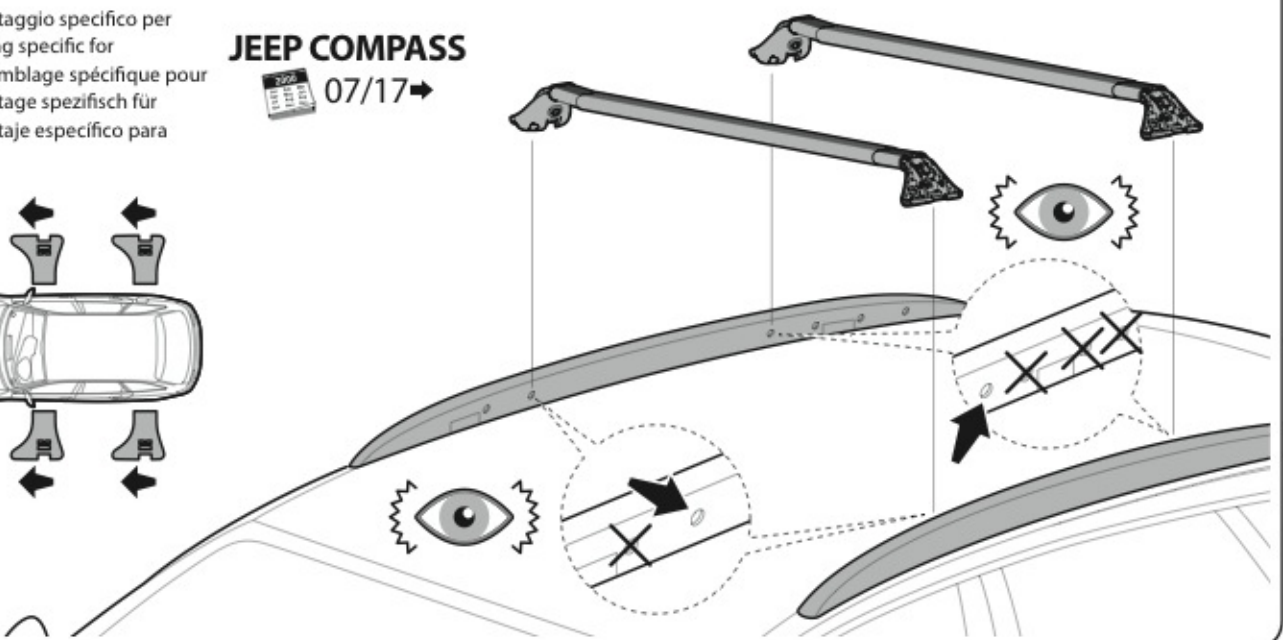
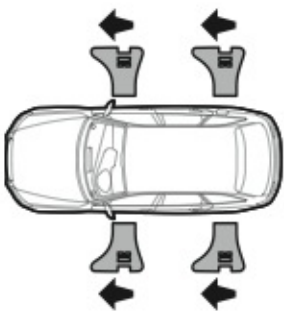


5**6**

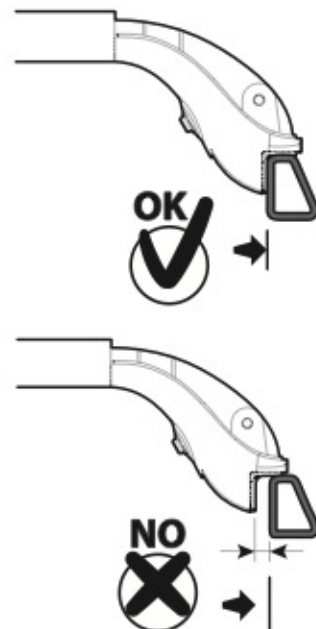
- ① Montaggio standard
- ② Standard fitting
- ③ Assemblage standard
- ④ Standardmontage
- ⑤ Montaje estándar



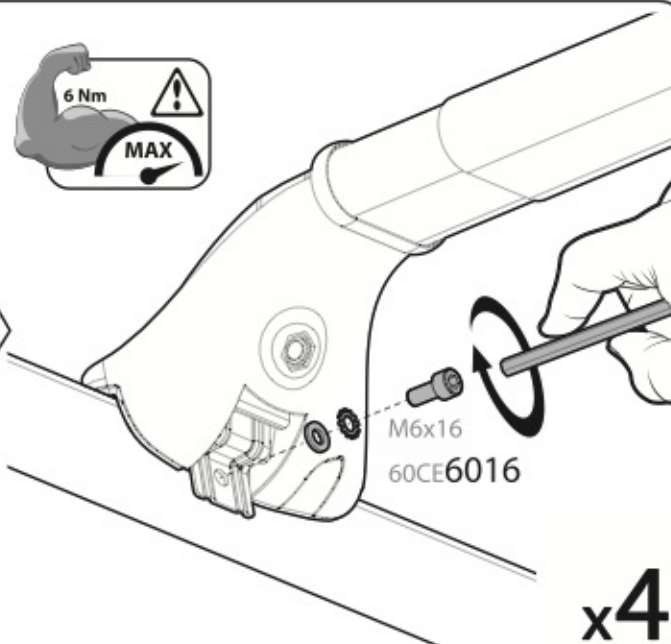
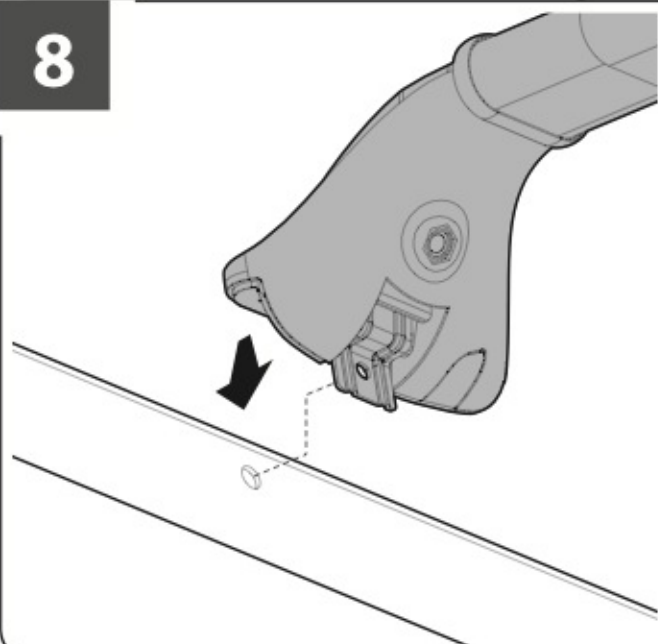
- ① Montaggio specifico per
- ② Fitting specific for
- ③ Assemblage spécifique pour
- ④ Montage spezifisch für
- ⑤ Montaje específico para

JEEP COMPASS


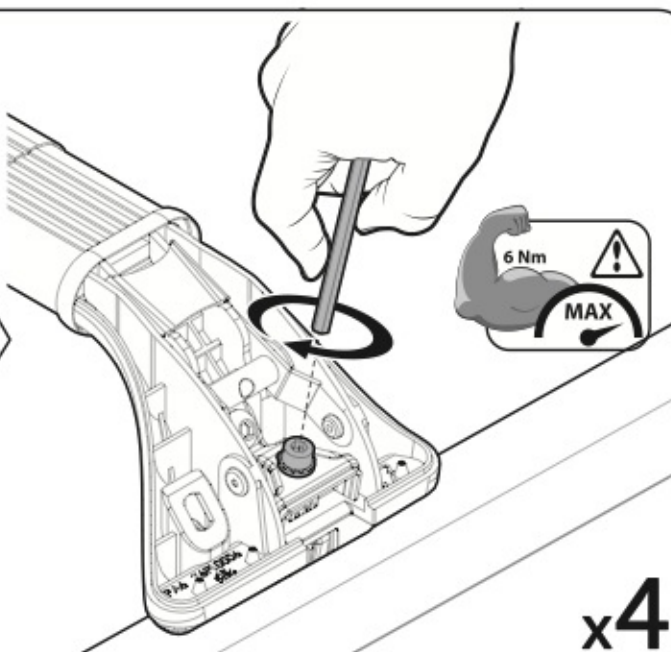
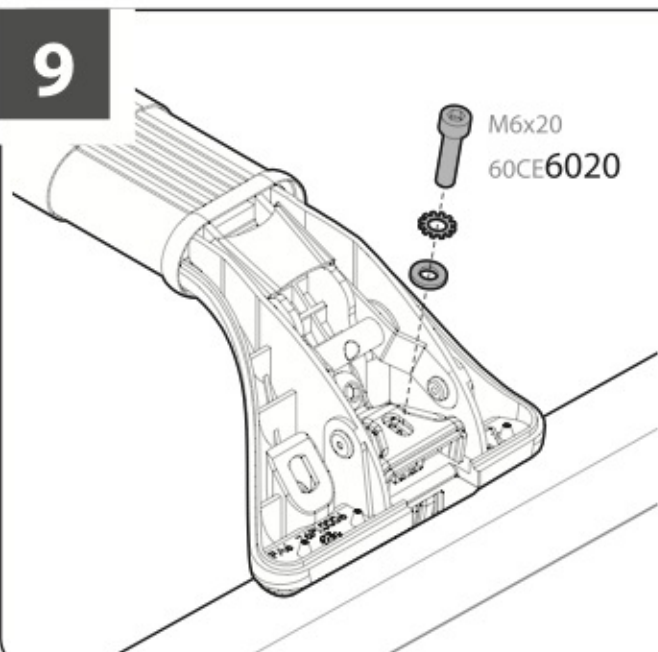
7



8



9

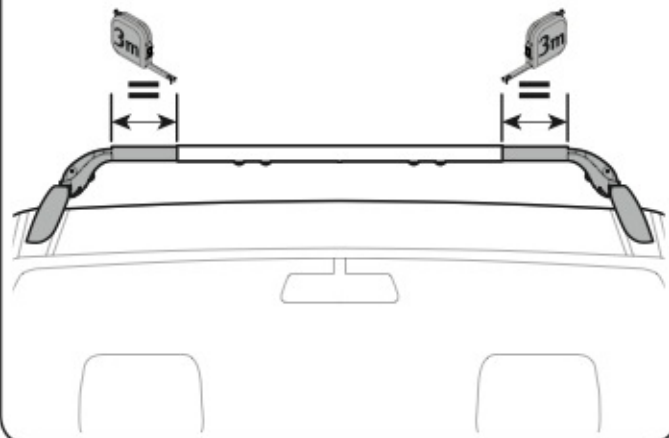


10

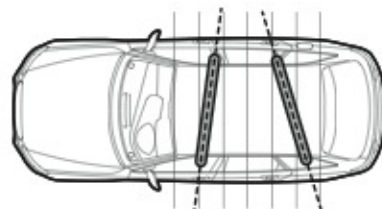
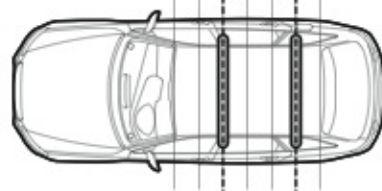
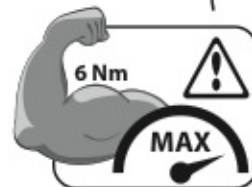
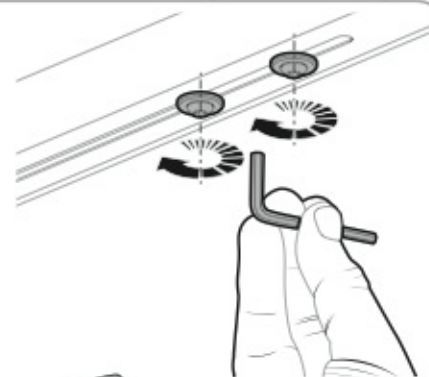
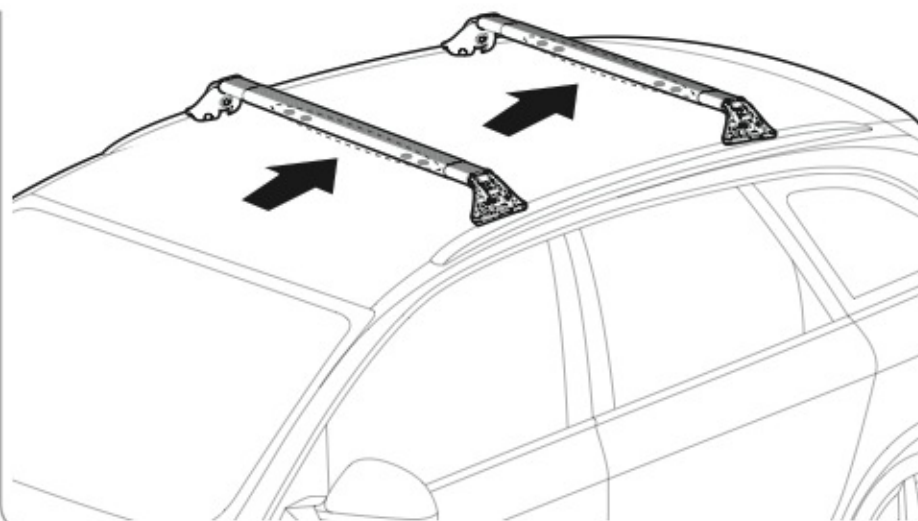
① Per ② Für
 ③ For ④ Para
 ⑤ Pour

SNAP STEEL

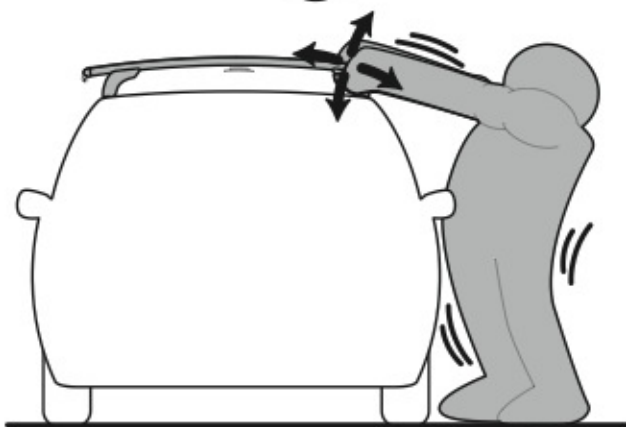
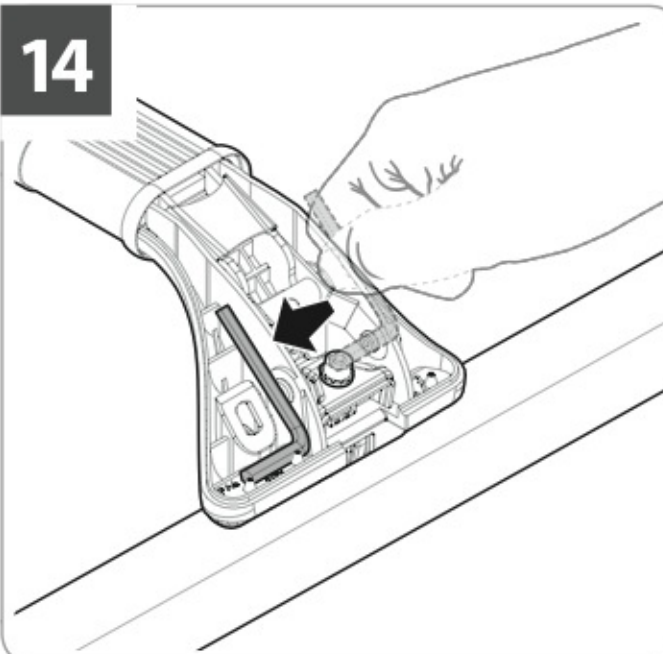
TELESCOPIC ROOF BARS

**11**

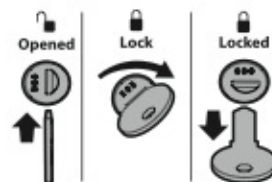
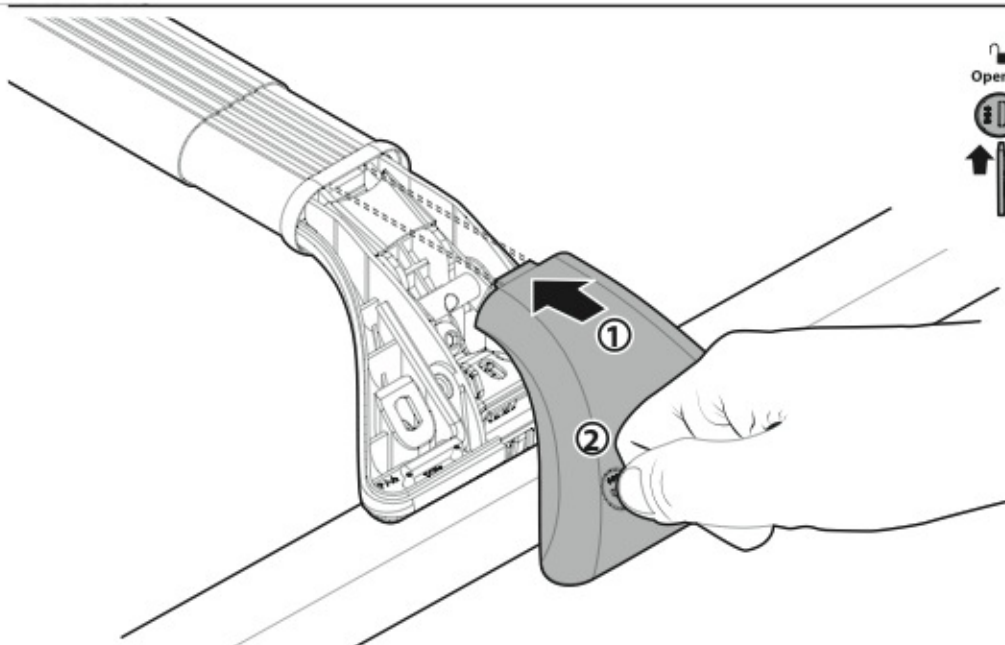
±70cm

**12**

x2

13**14**

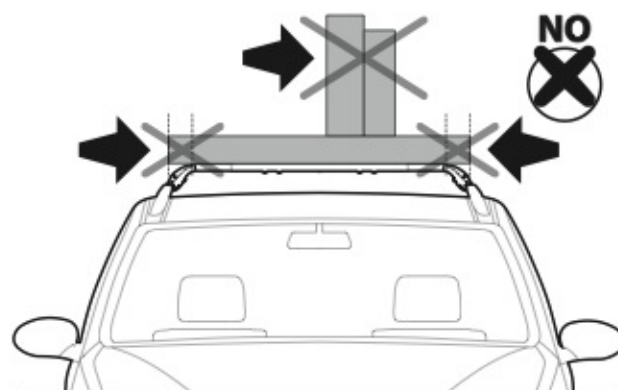
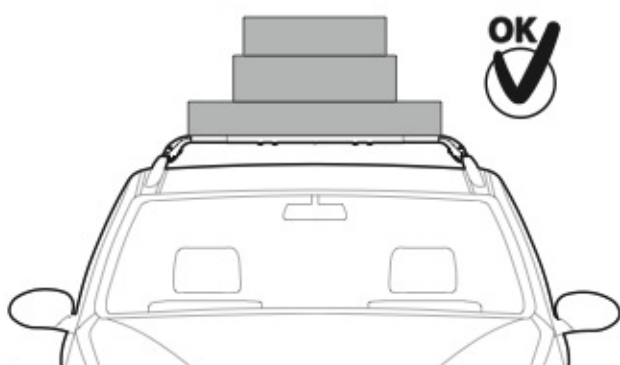
15



x4



ATTENZIONE
WARNING



NORDRIVE[®]
TRANSPORT SOLUTIONS

NORDRIVE[®] is a registered trademark of
LAMPA S.p.A.
Via G. Rossa 53/55, 46019 Viadana (MN) ITALY
Tel. +39 0375 820700
UNI EN ISO 9001:2008 Certified Company
www.nordrive.it
www.lampa.it