

Art. **N30214**

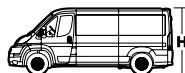
KIT x8

MERCEDES SPRINTER

2006
06/06 → 05/18

VOLKSWAGEN CRAFTER

2006
04/06 → 12/16



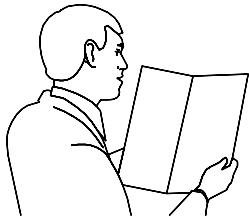
TETTO STANDARD
STANDARD ROOF
STANDARDdach



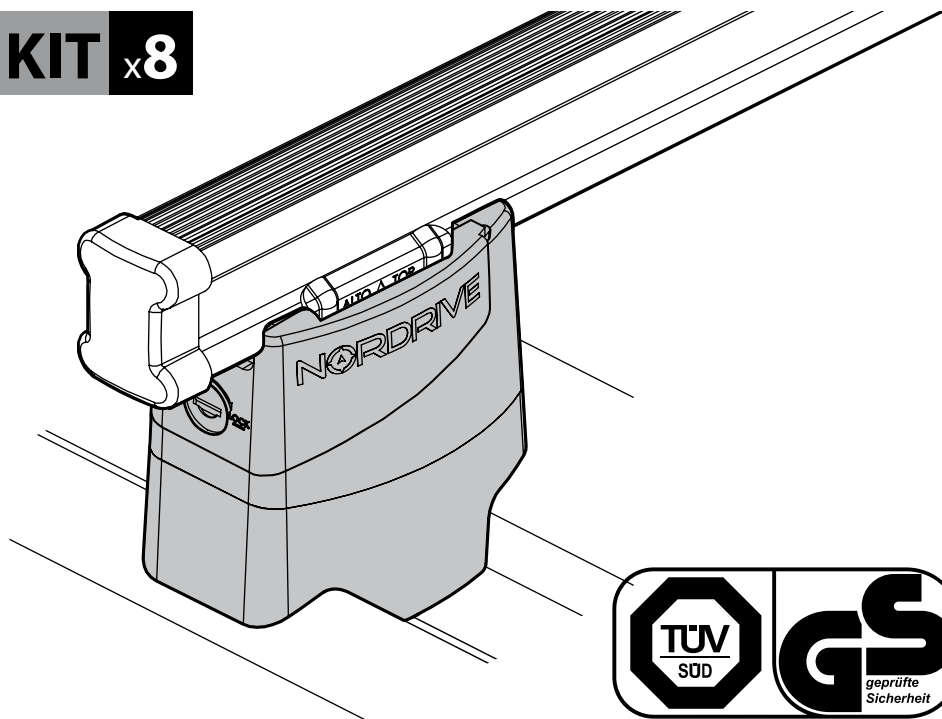
TETTO ALTO
HIGH ROOF
HOCHDACH



TETTO SUPER ALTO
SUPER HIGH ROOF
SUPERHOCHDACH

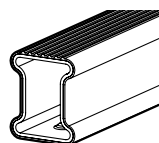


- ⓘ ISTRUZIONI DI MONTAGGIO
- Ⓖᐁ FITTING INSTRUCTIONS
- ⓓ MONTAGEANLEITUNG
- ⓕ INSTRUCTIONS DE MONTAGE
- ⓔ ISTRUCCIONES DE MONTAJE
- Ⓟ INSTRUÇÕES DE MONTAGEM
- Ⓝᐁ MONTAGE-INSTRUCTIES
- Ⓢ MONTERINGSANVISNING
- Ⓕᐁ ASENUSOHJE
- ⓔᐁ PAIGALDUSJUHEND
- Ⓐᐁ STIPRIŃAŠANAS INSTRUKCIJA
- Ⓕᐁ PRITVIRTINIMO INSTRUKCIJOS
- Ⓟᐁ INSTRUKCJA MONTAŻU
- ⓕᐁ Инструкции по установке
- Ⓒᐁ NÁVOD NA MONTÁŽ
- ⓕᐁ NÁVOD NA MONTÁŽ
- Ⓜᐁ NAVODILA ZA PRITRJEVANJE
- Ⓕᐁ UPUTA ZA SASTAVLJANJE
- Ⓕᐁ A FELSZERELÉS MÓDJA
- Ⓖᐁ Οδηγίες συναρμολόγησης
- Ⓕᐁ MONTAJ TALIMATLARIL
- Ⓖᐁ ИНСТРУКЦИИ ЗА МОНТАЖ
- Ⓜᐁ UPUTSTVA ZA MONTAŽU



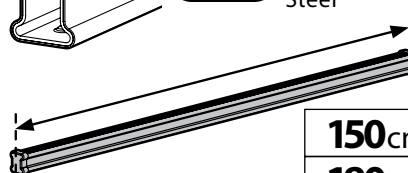
- ⓘ ADATTO PER
- Ⓖᐁ SUITABLE FOR
- ⓕ INDIQUÉ POUR
- ⓓ GEEIGNET FÜR
- ⓔ ADECUADA PARA

NORDRIVE KARGO SERIES



Kargo
ACCIAIO
Steel

- ⓘ BARRE KARGO
- Ⓖᐁ KARGO BARS
- ⓕ BARRES KARGO
- ⓓ DACH-LASTENTRÄGER KARGO
- ⓔ BARRES KARGO



150cm

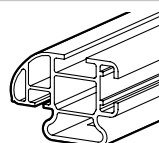
Art. **N10010**

x4

180cm

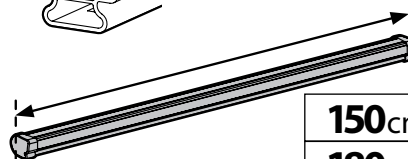
Art. **N10015**

x4



Kargo-Plus
ALLUMINIO
Aluminium

- ⓘ BARRE KARGO-PLUS
- Ⓖᐁ KARGO-PLUS BARS
- ⓕ BARRES KARGO-PLUS
- ⓓ DACH-LASTENTRÄGER KARGO-PLUS
- ⓔ BARRES KARGO-PLUS



150cm

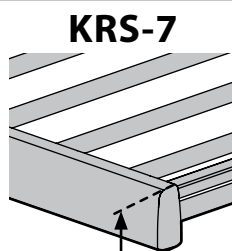
Art. **N10040**

x4

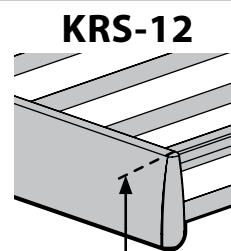
180cm

Art. **N10045**

x4



7cm



12cm

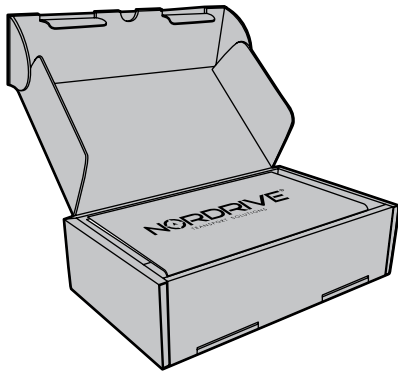
KRS-7

KRS-12

- ⓘ CESTE PORTATUTTO KRS-7 / KRS-12
- Ⓖᐁ KRS-7 / KRS-12 VAN ROOF RACKS
- ⓕ GALERIE KRS-7 / KRS-12
- ⓓ DACHKÖRBEŃ KRS-7 / KRS-12
- ⓔ BACAS KRS-7 / KRS-12

NORDRIVE®

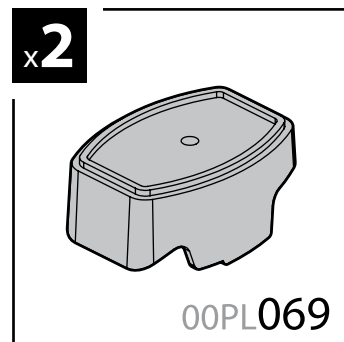
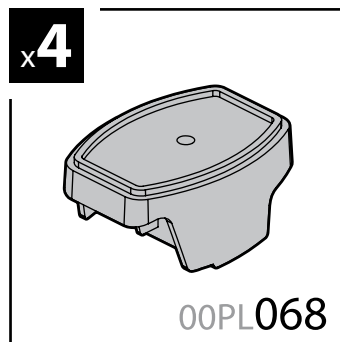
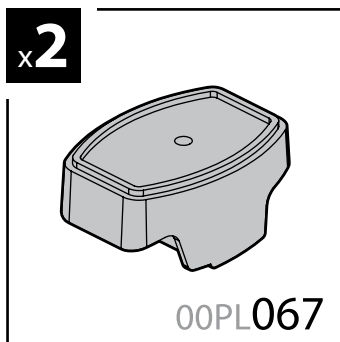
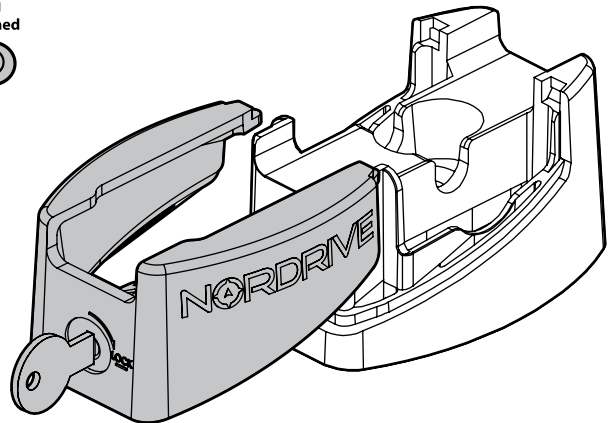
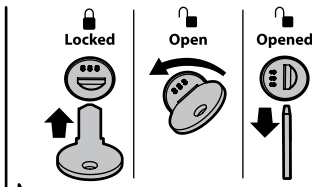
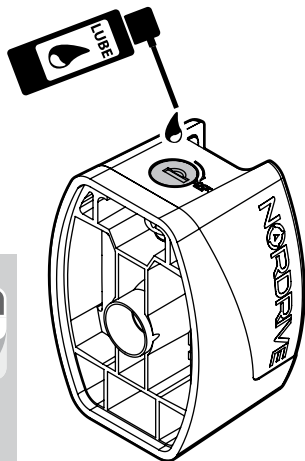
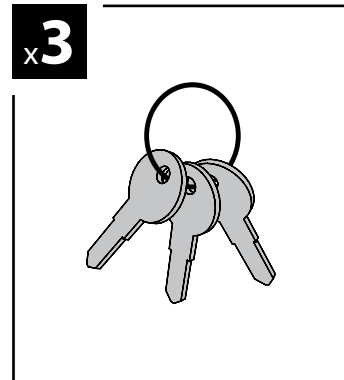
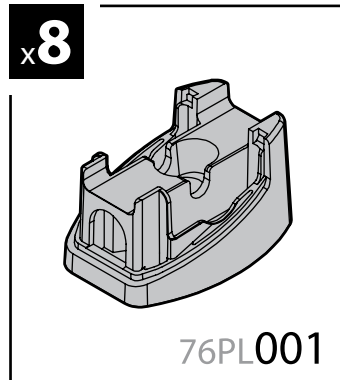
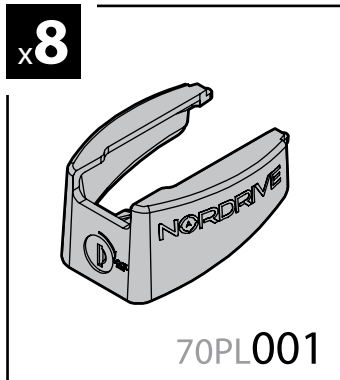
TRANSPORT SOLUTIONS



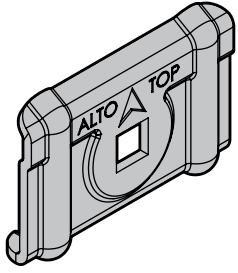
NORDRIVE[®]

TRANSPORT SOLUTIONS

Art. **N30214**

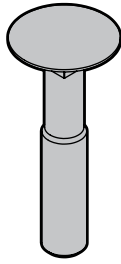


x 16



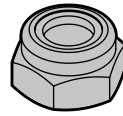
40FE001

x 8



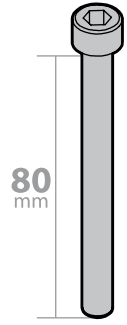
60BQ8045

x 16



62BB0800

x 8



M8x80

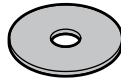
60CE8080

x 16



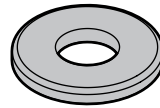
61ED0815

x 8



61FL0824

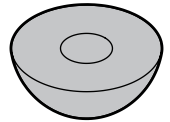
x 16



ø8 - ø16

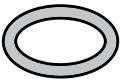
61FN0816

x 8



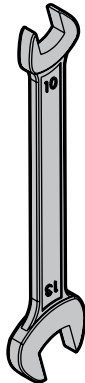
60RO003

x 8



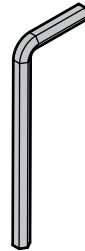
66OR20CN

x 1

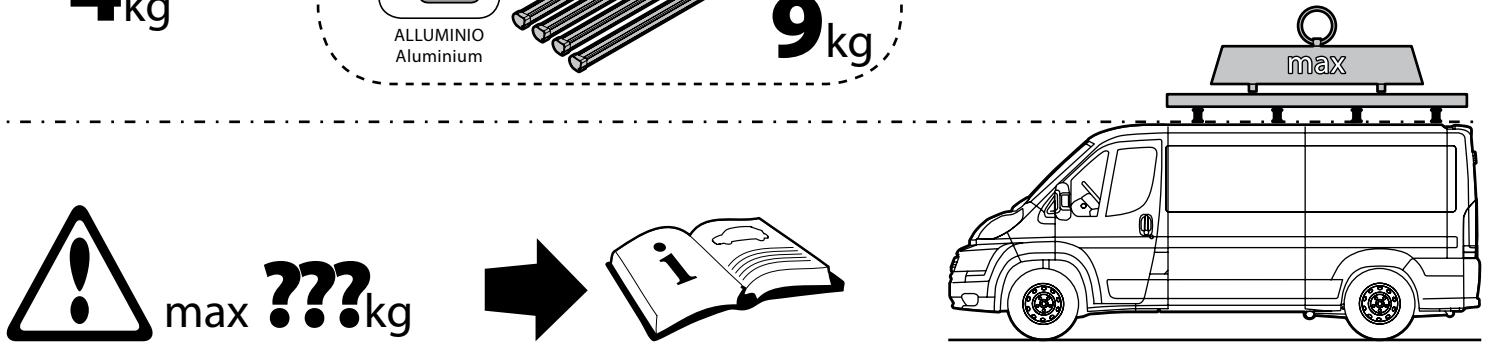
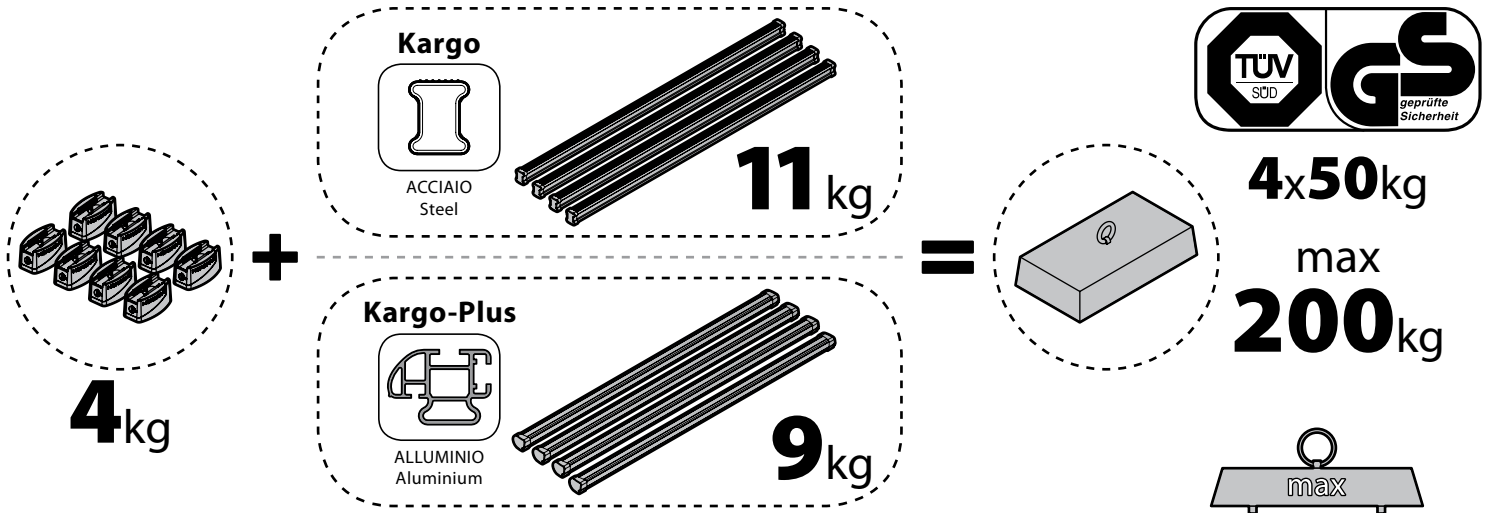


72FE0001

x 1



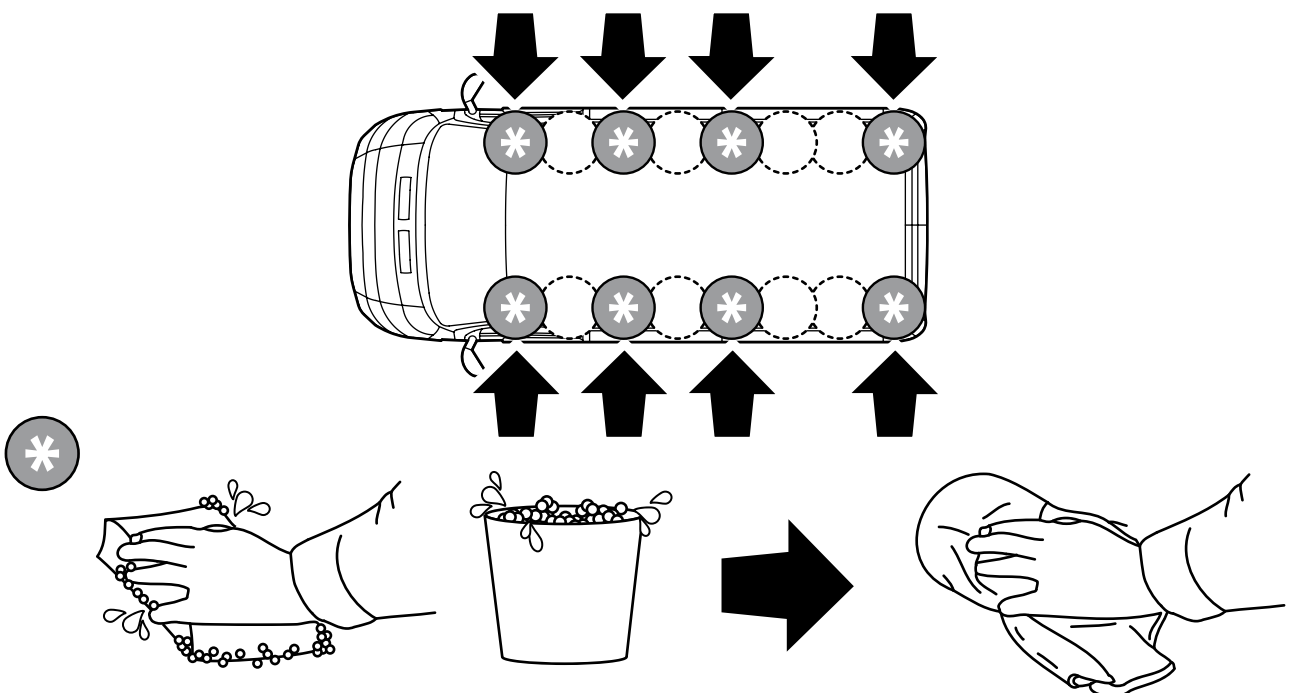
72FE0003



SAFETY REGULATIONS

Safety regulations

NORME DI SICUREZZA

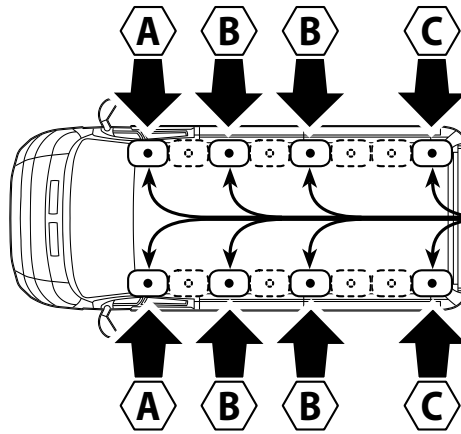
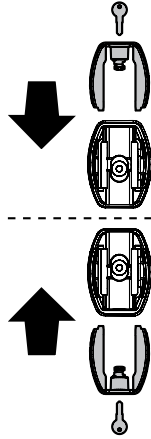


(I) ISTRUZIONI DI MONTAGGIO
 (GB) FITTING INSTRUCTIONS
 (D) MONTAGEANLEITUNG
 (F) INSTRUCTIONS DE MONTAGE
 (E) INSTRUCCIONES DE MONTAJE
 (P) INSTRUÇÕES DE MONTAGEM
 (NL) MONTAGE-INSTRUCTIES
 (S) MONTERINGSANVISNING

(FIN) ASENNUSOHJE
 (EST) PAIGALDUSJUHEND
 (LAT) STIPRINĀŠANAS INSTRUKCIJA
 (LT) PRITVIRTINIMO INSTRUKCIJOS
 (PL) INSTRUKCJA MONTAŻU
 (RUS) Инструкции по установке
 (CZ) NÁVOD NA MONTÁŽ
 (SK) NÁVOD NA MONTÁŽ

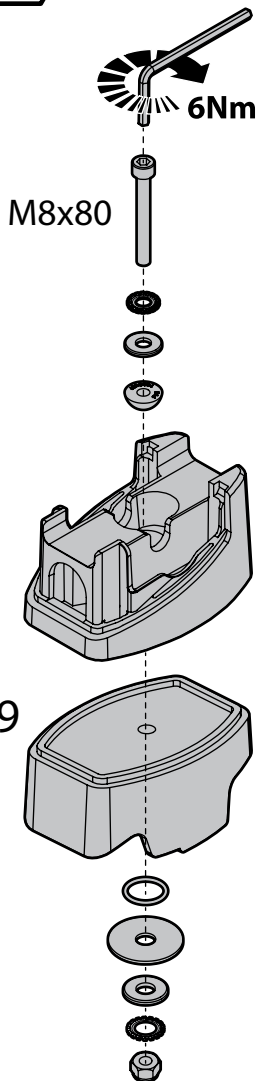
(SLO) NAVODILA ZA PRITRJEVANJE
 (HR) UPUTA ZA SASTAVLJANJE
 (H) A FELSZERELÉS MÓDJA
 (GR) Οδηγίες συναρμολόγησης
 (TR) MONTAJ TALIMATLARI
 (BG) ИНСТРУКЦИИ ЗА МОНТАЖ
 (SRB) UPUTSTVA ZA MONTAŽU

1



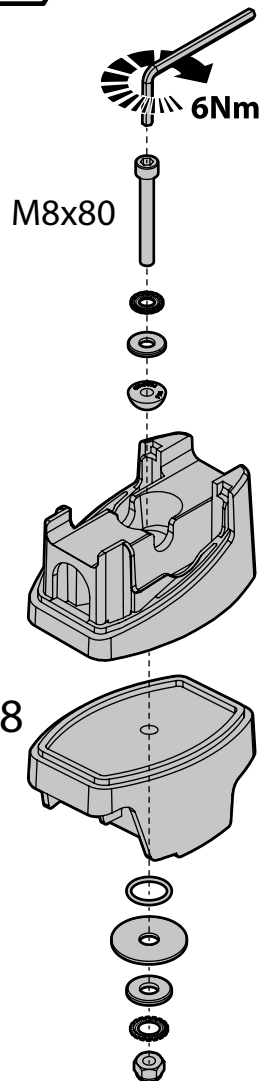
2

A



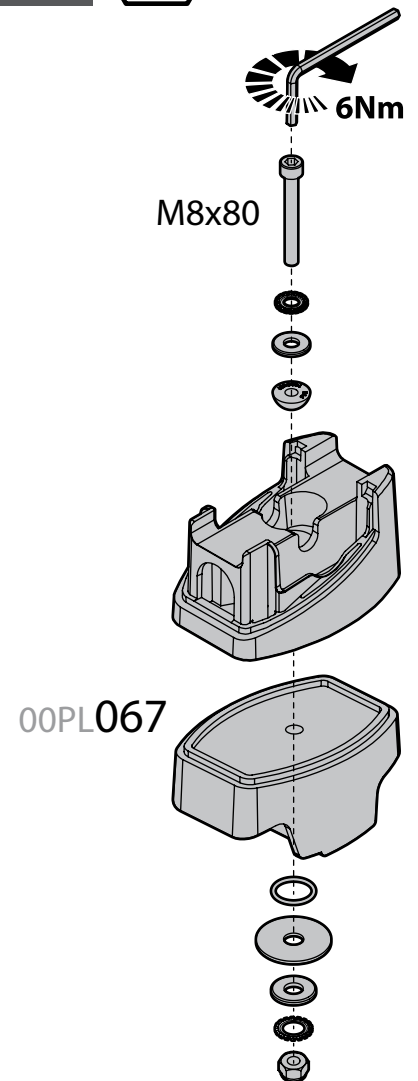
2

B

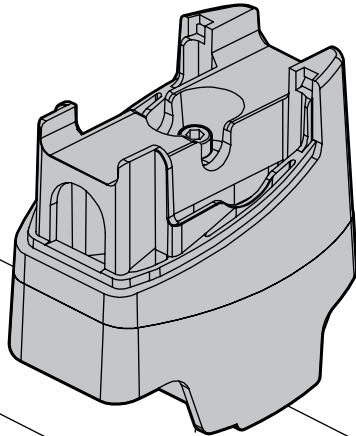
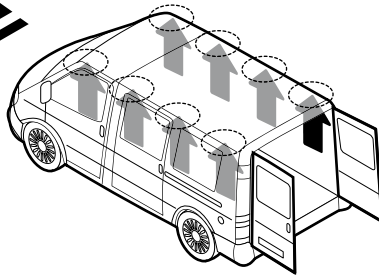


2

C



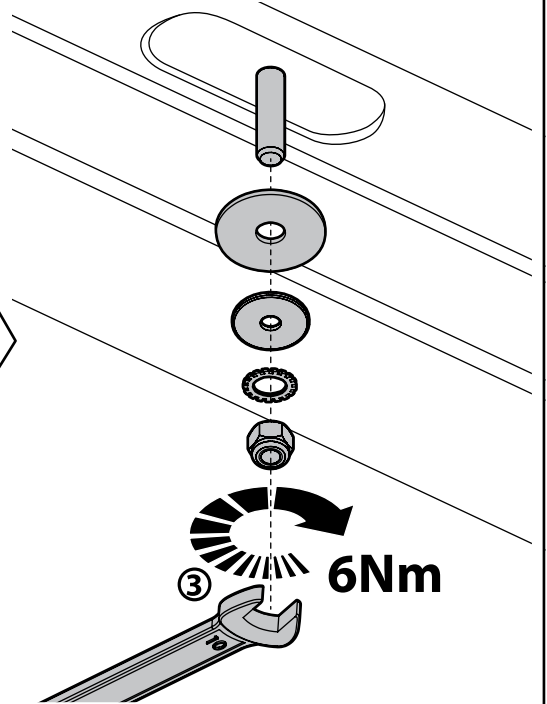
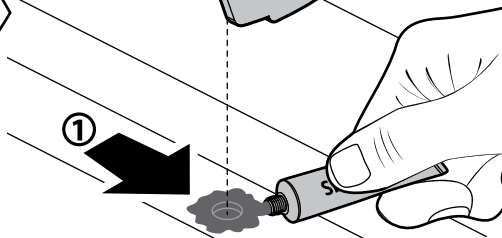
3



2



1



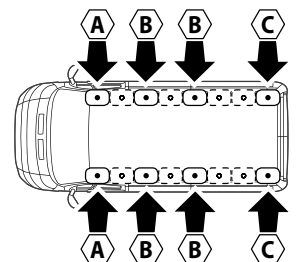
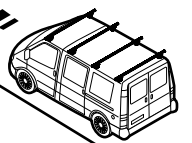
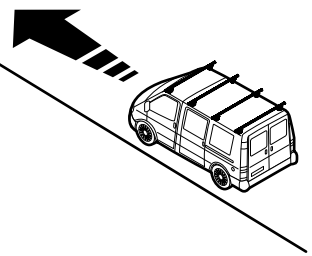
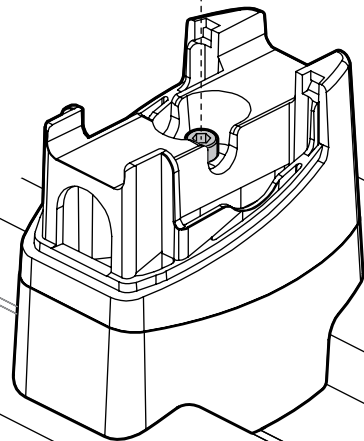
3

6Nm

4



6Nm

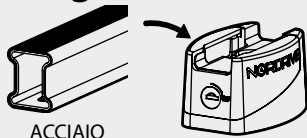




ATTENZIONE WARNING



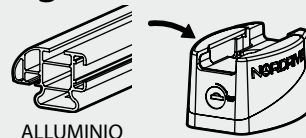
A Kargo



ACCIAIO
Steel

MONTAGGIO DIRETTO
SUI KIT PIEDI SPECIFICI
DIRECTLY ON FOOT KITS
BEFESTIGUNGSFÜSSE

B Kargo-Plus

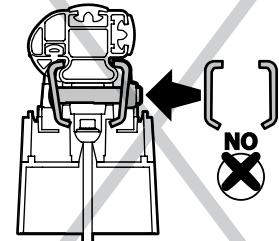
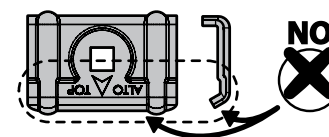
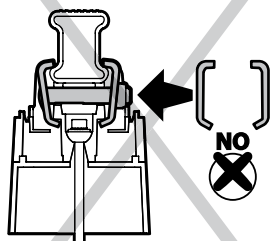
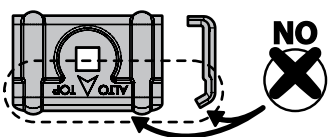
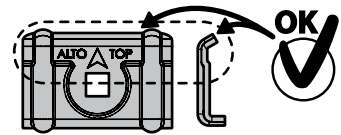
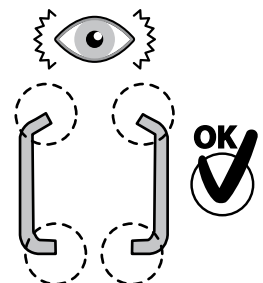
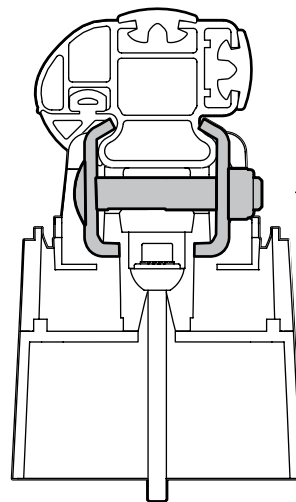
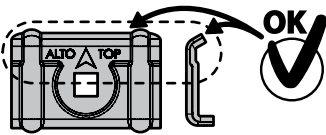
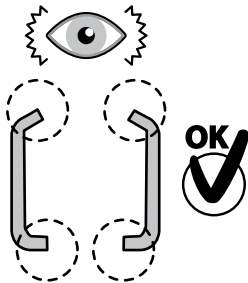
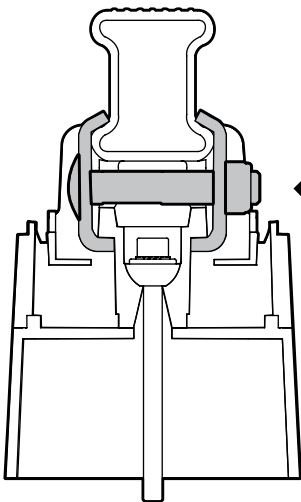
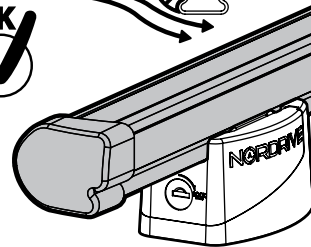
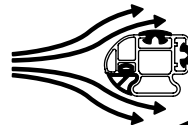
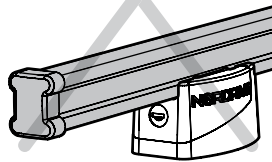
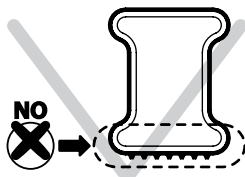
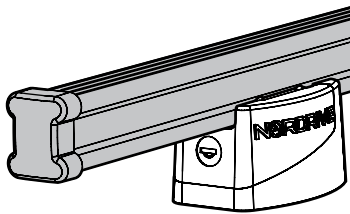


ALLUMINIO
Aluminium

MONTAGGIO DIRETTO
SUI KIT PIEDI SPECIFICI
DIRECTLY ON FOOT KITS
BEFESTIGUNGSFÜSSE

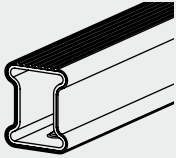
A

B



5

A



Kargo
ACCIAIO
Steel

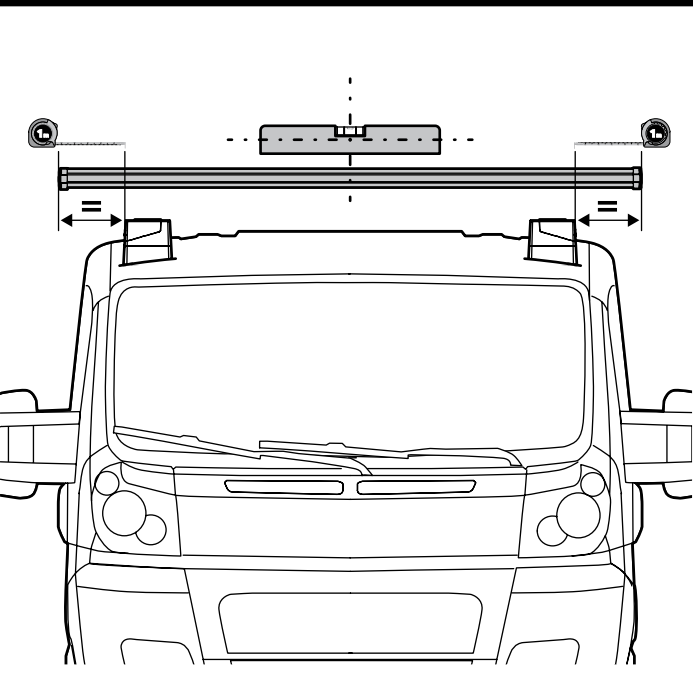

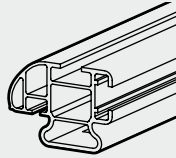


Diagram illustrating the installation of the Kargo Steel bar on a vehicle roof. The bar is shown being positioned across the roof rails. Arrows indicate the placement of the bar relative to the roof rails.

B



Kargo-Plus
ALLUMINIO
Aluminium

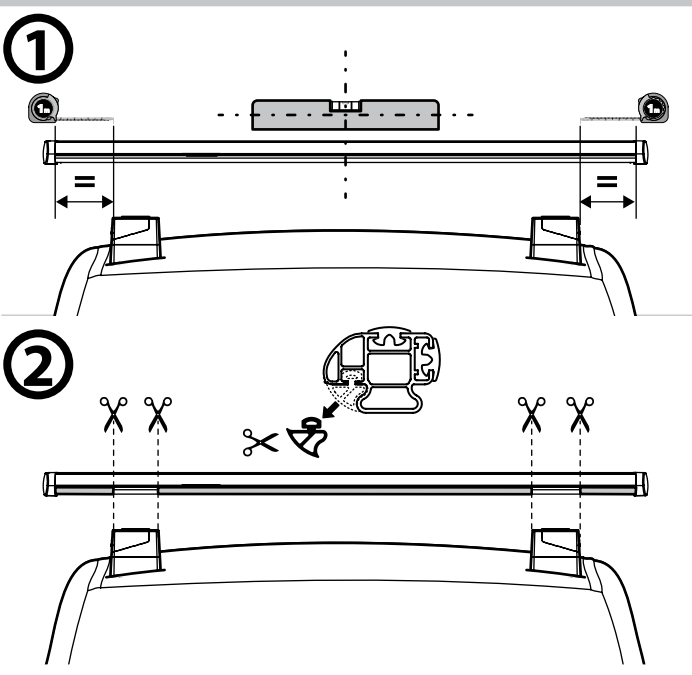



Diagram illustrating the installation of the Kargo-Plus Aluminium bar on a vehicle roof. The bar is shown being positioned across the roof rails. Arrows indicate the placement of the bar relative to the roof rails. The diagram is divided into two steps: 1. Positioning the bar across the roof rails. 2. Cutting the bar to fit the roof rails, indicated by scissors and dashed lines.

6

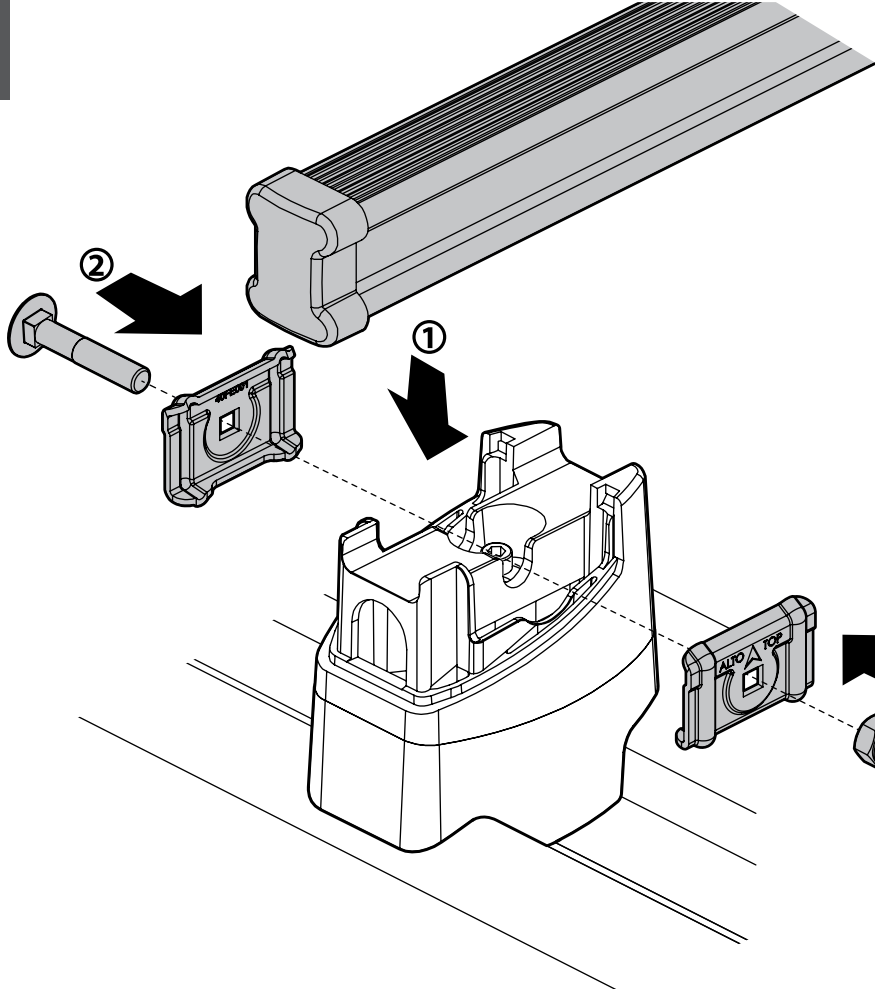


Diagram illustrating the assembly of the Kargo bar. The bar is shown being inserted into the mounting brackets. The diagram is divided into three steps: 1. Inserting the bar into the mounting brackets. 2. Tightening the bar with a bolt. 3. Tightening the bar with a nut. An inset diagram shows the bar being installed on a vehicle roof, with arrows indicating the direction of installation. A small inset diagram shows the bar being installed on a vehicle roof, with arrows indicating the direction of installation. A small inset diagram shows the bar being installed on a vehicle roof, with arrows indicating the direction of installation.

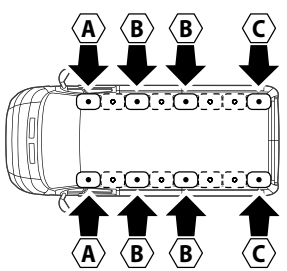
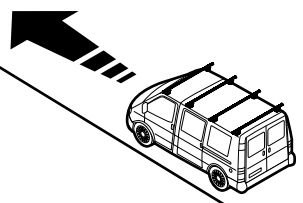
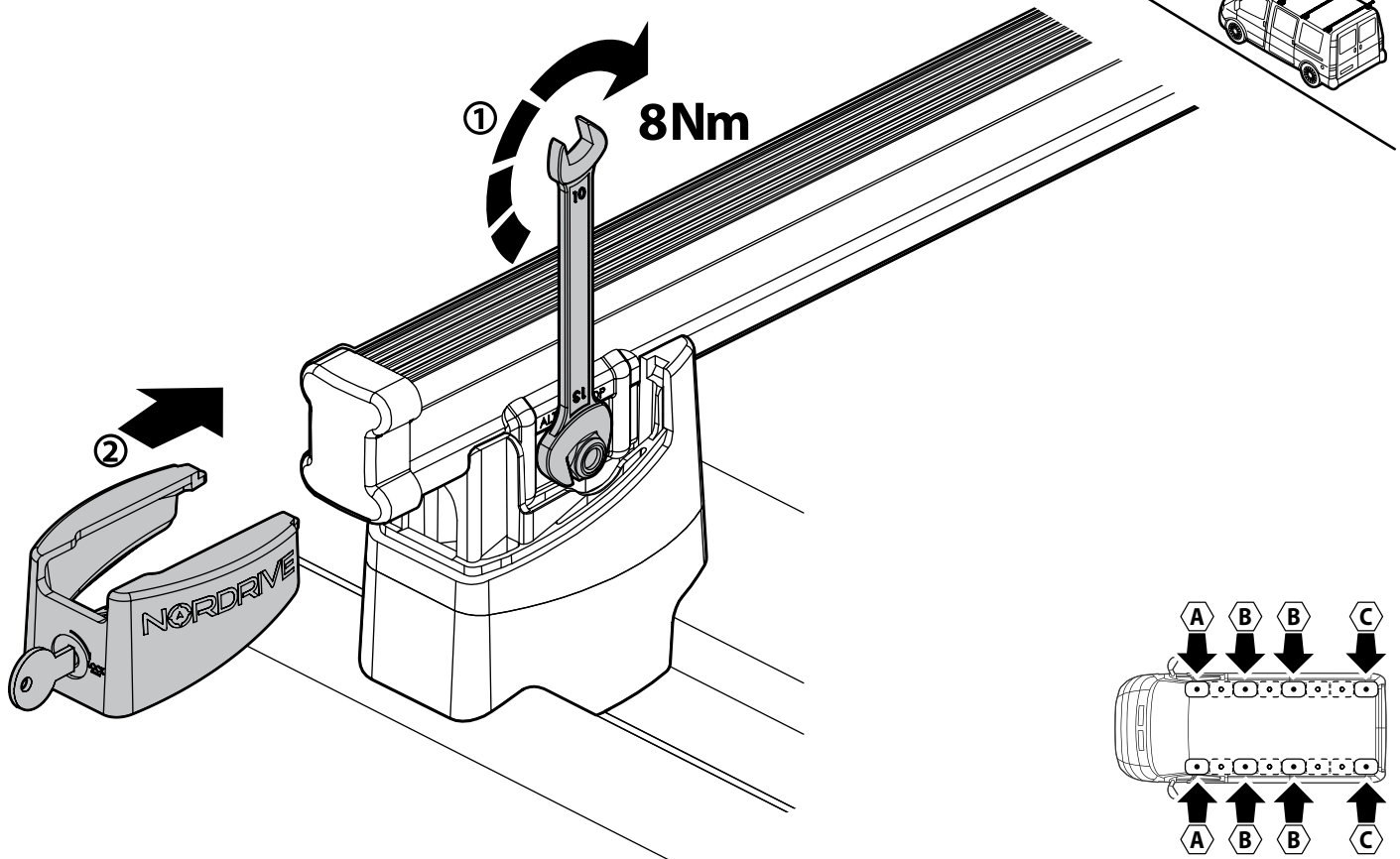
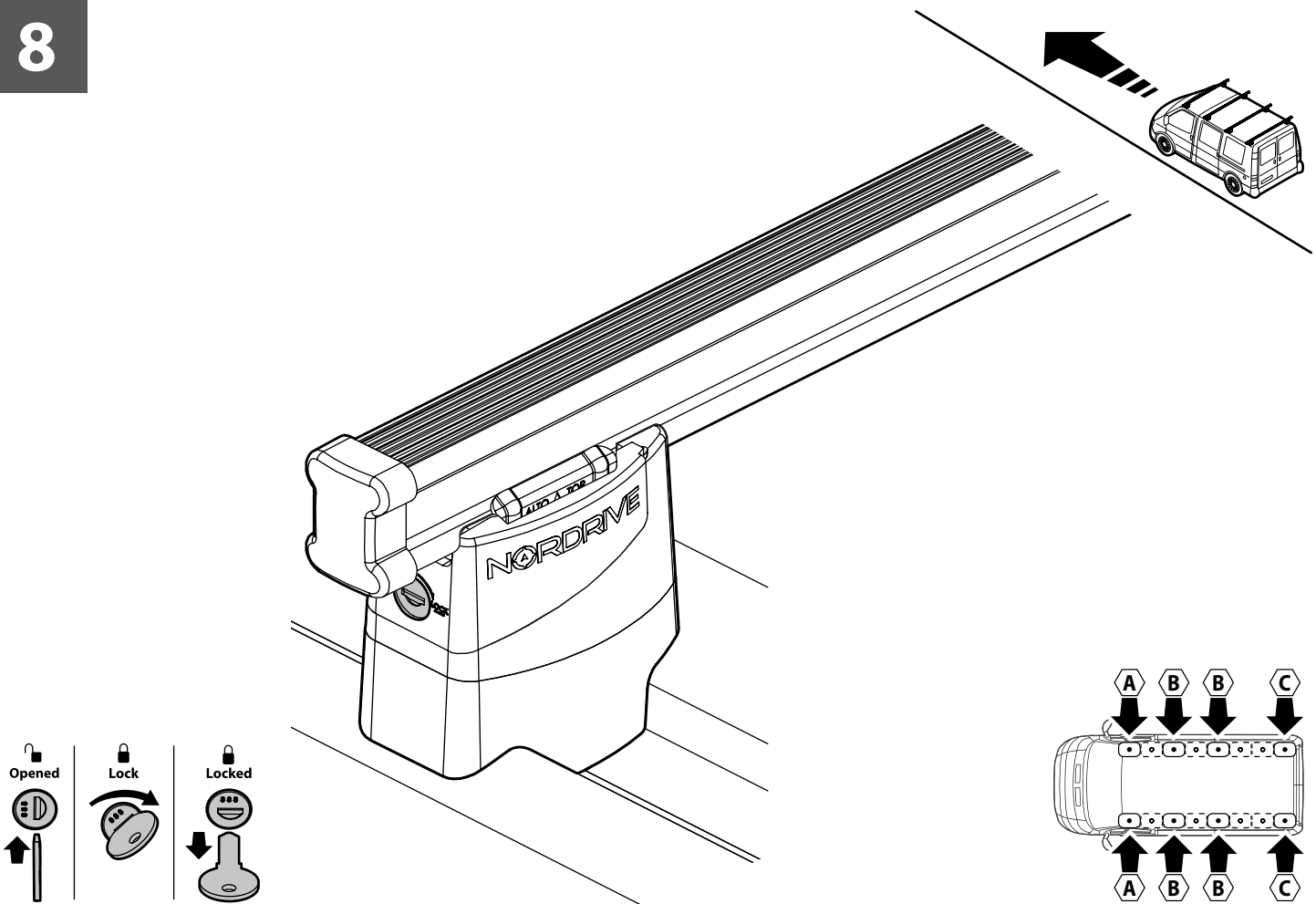


Diagram illustrating the assembly of the Kargo bar. The bar is shown being inserted into the mounting brackets. The diagram is divided into three steps: 1. Inserting the bar into the mounting brackets. 2. Tightening the bar with a bolt. 3. Tightening the bar with a nut. An inset diagram shows the bar being installed on a vehicle roof, with arrows indicating the direction of installation. A small inset diagram shows the bar being installed on a vehicle roof, with arrows indicating the direction of installation. A small inset diagram shows the bar being installed on a vehicle roof, with arrows indicating the direction of installation.

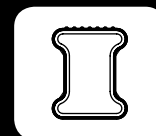
7



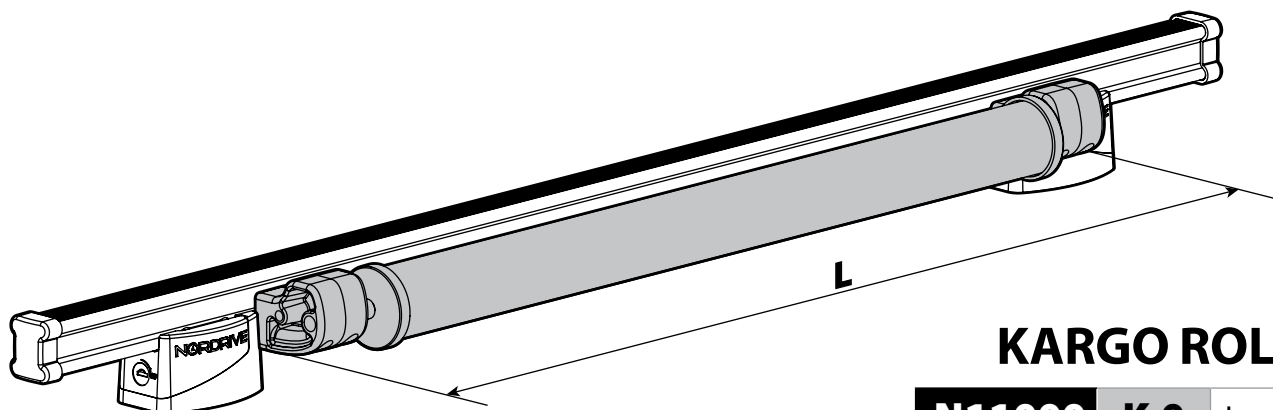
8



Kargo series



Acciaio / Steel



KARGO ROLLER

N11000	K-0	L = 64 cm
N11003	K-7	L = 96 cm



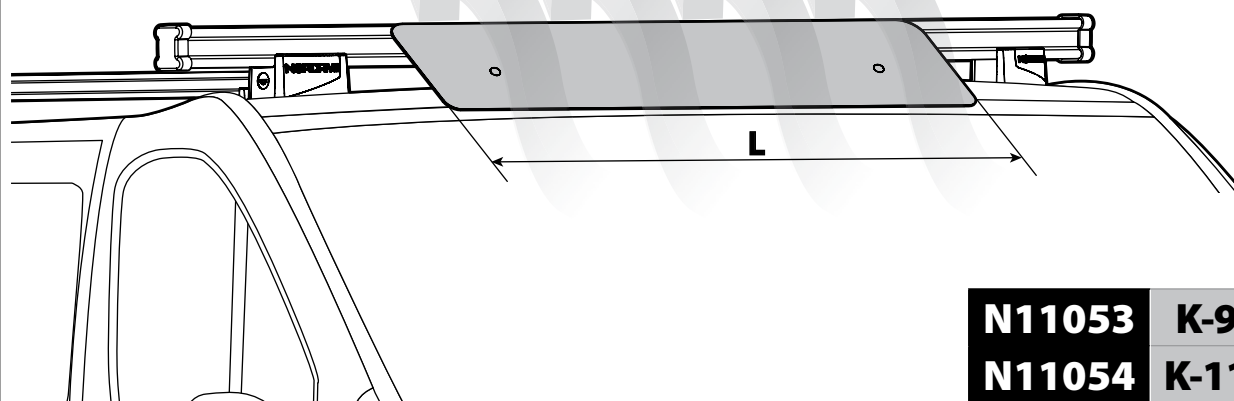
LOAD STOPS

N11001 K-1



LOAD STOPS

N11002 K-2

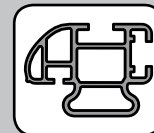


SPOILER

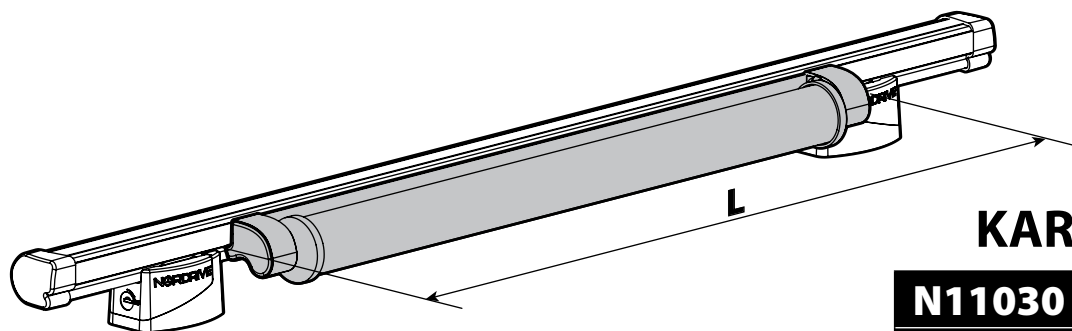
N11053	K-9	L = 95 cm
N11054	K-11	L = 110 cm

OPTIONALS PER / FOR / FÜR:

Kargo-Plus series



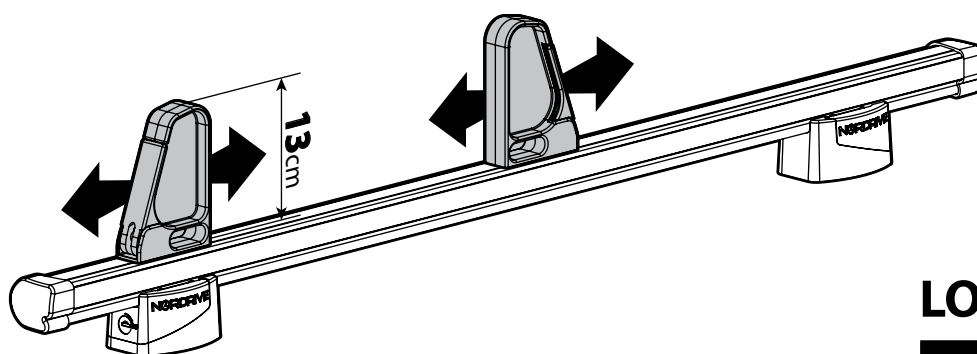
Alluminio / Aluminium



KARGO ROLLER

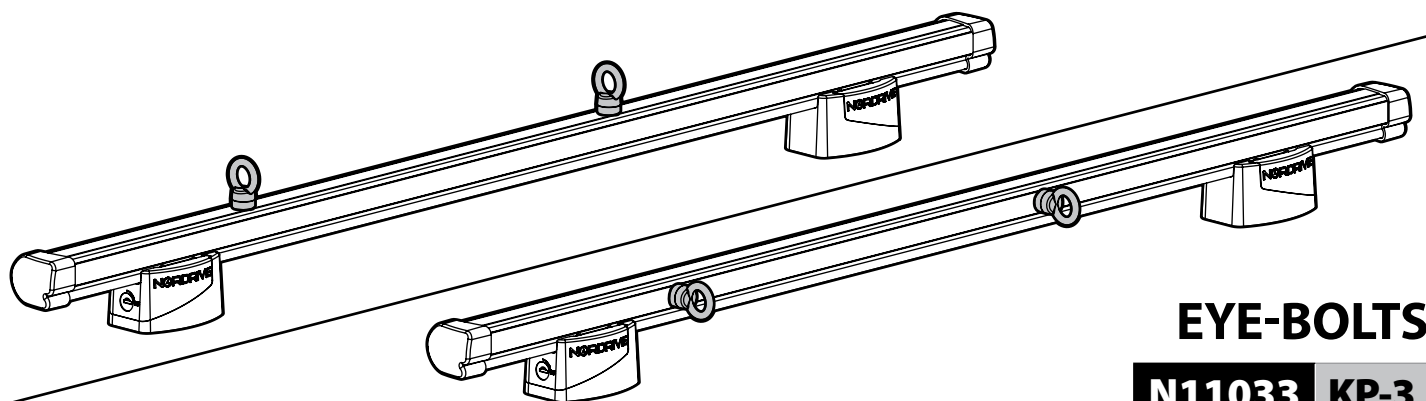
N11030 KP-0 L = 64 cm

N11034 KP-7 L = 96 cm



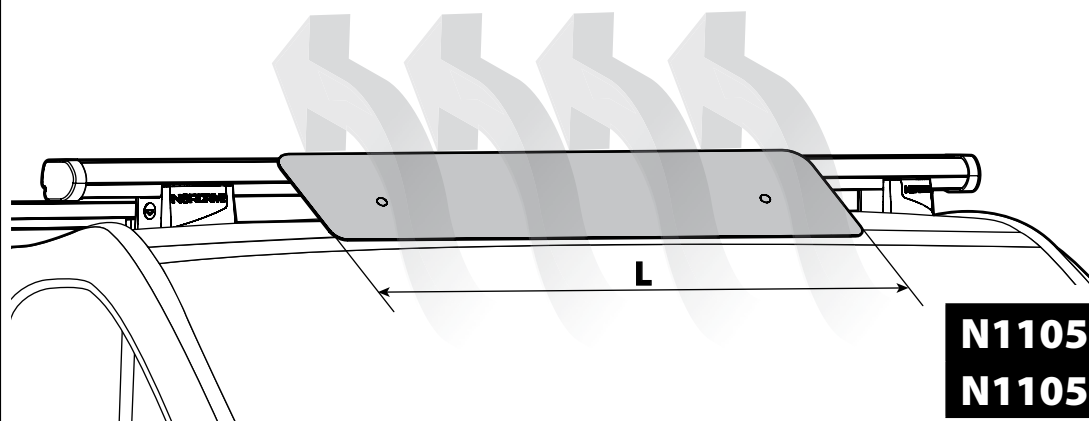
LOAD STOPS

N11031 KP-1



EYE-BOLTS

N11033 KP-3



SPOILER

N11057 KP-9 L = 95 cm

N11058 KP-11 L = 110 cm

OPTIONALS PER / FOR / FÜR:

Kargo series



Acciaio / Steel

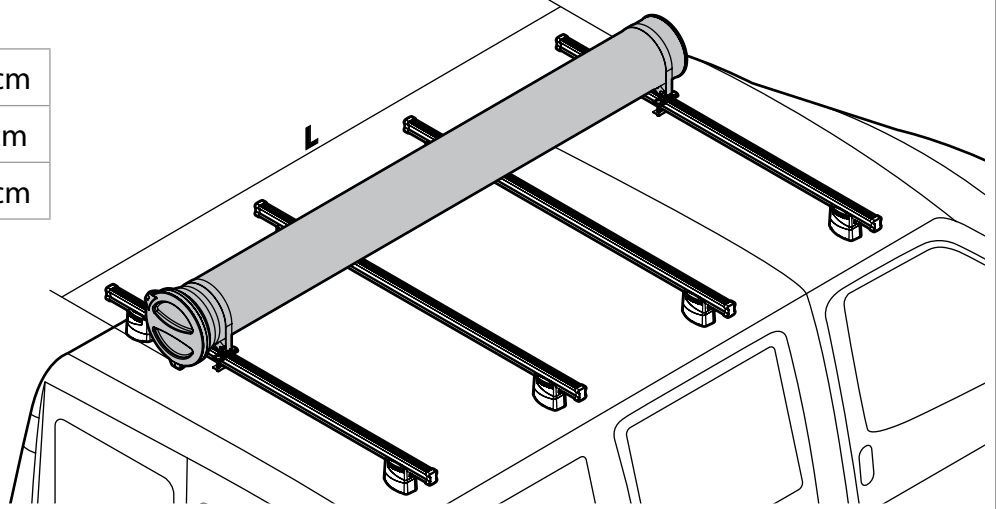
Kargo-Plus
series



Alluminio / Aluminium

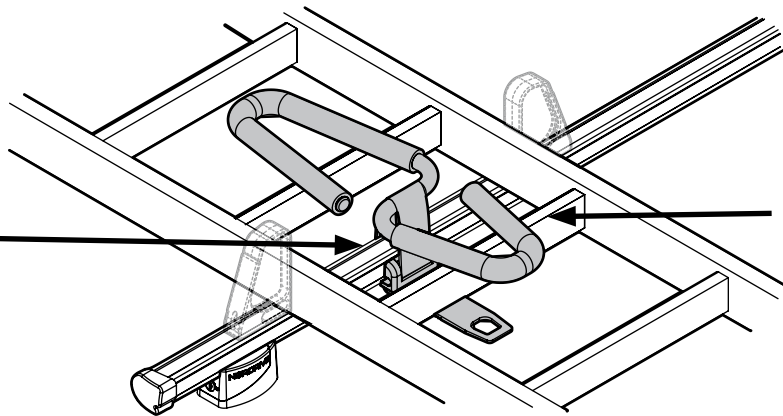
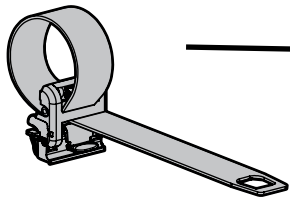
KARGO-TUBE

N11050	T200	L = 205 cm
N11051	T300	L = 305 cm
N11052	T400	L = 405 cm



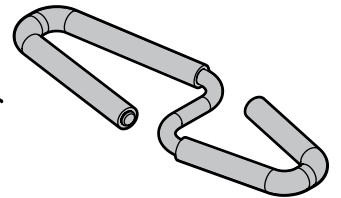
LADDER HOLDER STRAPS

N11065 U-5



LADDER STEP ADAPTER

N11067 U-6



EXTENSION ROLLER

N11020	U-0	L = 64 cm
N11021	U-7	L = 96 cm

